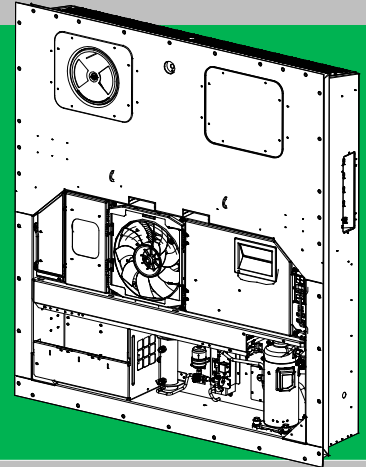
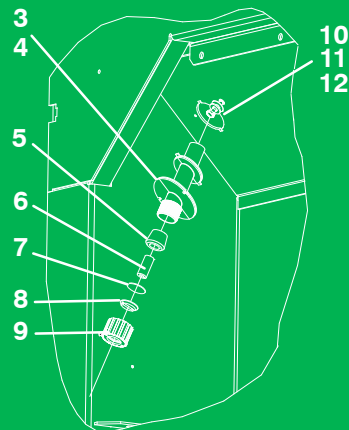
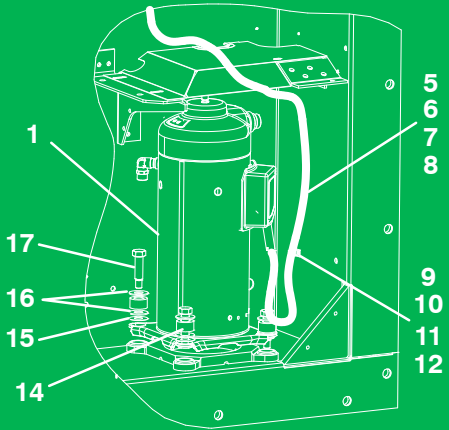




**TRANSICOLD**  
United Technologies

# Container Refrigeration



## SERVICE PARTS LIST for 69NT40-561-001 to 199 Container Refrigeration Units





# **SERVICE PARTS LIST CONTAINER REFRIGERATION UNIT**

**Models  
69NT40-561-001 to 199**



# TABLE OF CONTENTS

PARAGRAPH NUMBER	Page
INTRODUCTION .....	iii
CONFIGURATION IDENTIFICATION .....	iii
FEATURE DESCRIPTIONS .....	iii
OPTION DESCRIPTIONS .....	iii
ORDERING INSTRUCTIONS .....	vi
LETTER DESIGNATIONS .....	vi
1 REFRIGERATION UNIT ASSEMBLY .....	2
1.1 REFRIGERATION UNIT – AREA LOCATOR .....	2
1.2 UPPER FRESH AIR .....	4
1.3 UPPER FRESH AIR – eAutoFresh .....	10
1.4 UPPER FRESH AIR – eAutoFresh PANEL ASSEMBLY .....	14
1.5 CONTROLLED ATMOSPHERE – TRANSFRESH .....	16
1.6 BULKHEAD PENETRATION – UPPER AIR EXCHANGE .....	18
1.7 THERMOMETER PORT .....	19
1.8 RAIN GUTTERS .....	20
1.9 USDA .....	22
1.10 CONTROL BOX – DOOR .....	26
1.11 CONTROL BOX – SHIELD .....	32
1.12 CONTROL BOX – WIRING .....	34
1.13 CONTROL BOX – RMU RECEPTACLE, SWITCH PANEL, NO RMU, INTERNAL VIEWS ...	36
1.14 CONTROL BOX – RMU RECEPTACLE AND SWITCH PANEL, EXTERNAL VIEW .....	39
1.15 CONTROL BOX – REMOTE MONITORING UNIT (RMU) .....	40
1.16 CONTROL BOX – CONTROLLER MODULE SECTION AND SOFTWARE CARDS .....	42
1.17 CONTROL BOX PREPARATION .....	44
1.18 CONTROLLER KIT – FACING VIEW .....	48
1.19 CONTROLLER KIT – FACING VIEW WITH AND WITHOUT SHIELDS .....	50
1.20 CONTROLLER KIT – REAR VIEW .....	51
1.21 CONTROLLER KIT – EMERGENCY BYPASS SYSTEM .....	52
1.22 INTERROGATOR RECEPTACLE .....	54
1.23 HANDLES .....	57
1.24 COMPRESSOR, MOUNTING COMPONENTS, AND POWER CABLE .....	58
1.25 COMPRESSOR TUBING .....	60
1.26 ECONOMIZER .....	62
1.27 LIQUID LINE COMPONENTS .....	64
1.28 RECEIVER .....	66
1.29 WATER-COOLED CONDENSER .....	67
1.30 CONDENSER COIL AND COVERS .....	68
1.31 CONDENSER FAN MOTOR .....	70
1.32 CONDENSER FAN GRILLE ASSEMBLY .....	72
1.33 VOLTAGE CABLES .....	74
1.34 CABLE GUARDS .....	76
1.35 AUTOTRANSFORMER .....	78
1.36 CABLE RESTRAINT COMPONENTS .....	81

## TABLE OF CONTENTS – Continued

<b>PARAGRAPH NUMBER</b>		<b>Page</b>
1.37	VACUUM RELIEF VALVE .....	82
1.38	OPTION 9 AND OPTION P – ELECTRONIC PARTLOW TEMPERATURE RECORDER ....	84
1.39	OPTION PS, OPTION 12 AND OPTION 13 – ELECTRONIC PARTLOW TEMPERATURE RECORDER .....	86
1.40	DRAIN .....	89
1.41	LOWER FRESH AIR MAKE-UP .....	90
1.42	BULKHEAD PENETRATION – LOWER AIR EXCHANGE .....	92
1.43	LABELS AND DECALS .....	93
1.44	EVAPORATOR FAN ASSEMBLY .....	94
1.45	EVAPORATOR TUBING AND COIL .....	96
1.46	HEATERS AND SENSORS (REAR PANELS REMOVED) .....	98
1.47	BACK PANEL ASSEMBLY .....	100
1.48	HARNESS – LOW VOLTAGE .....	104
1.49	HARNESS – HIGH VOLTAGE .....	118
2	INTERROGATOR ACCESSORIES .....	120
2.1	DATALINE/DATAREADER .....	120
3	TOOLS .....	122

# INTRODUCTION

## 1 INTRODUCTION

The Carrier Transicold model 69NT40–561–001 to 199 series units are of lightweight aluminum frame construction, designed to fit in the front of a container and serve as the container's front wall.

They are one piece, self-contained, all electric units, which include cooling and heating systems to provide precise temperature control.

The units are supplied with a complete charge of refrigerant R–134a and compressor lubricating oil, and are ready for operation upon installation. Forklift pockets are provided for unit installation and removal.

The base unit operates on nominal 380/460 volt, 3-phase, 50/60 hertz (Hz) power. An optional autotransformer may be fitted to allow operation on nominal 190/230, 3-phase, 50/60 Hz power. Power for the control system is provided by a transformer which steps the supply power down to 18 and 24 volts, single phase.

The controller is a Carrier Transicold Micro–Link 3 microprocessor. The controller will operate automatically to select cooling, holding or heating as required to maintain the desired set point temperature within very close limits. The unit may also be equipped with an electronic temperature recorder.

The controller has a keypad and display for viewing or changing operating parameters. The display is also equipped with lights to indicate various modes of operation.

## 2 CONFIGURATION IDENTIFICATION

Unit identification information is provided on a plate located to the left of the receiver or water-cooled condenser, on the back wall of the condenser section. The plate provides the unit model number, the unit serial number and the unit parts identification number (PID). The model number identifies the overall unit configuration, while the PID number provides information on specific optional equipment, factory provisioned to allow for field installation of optional equipment and differences in detailed parts.

## 3 FEATURE DESCRIPTIONS

### 3.1 Control Box

Units are equipped with either an aluminum or composite material box, and may be fitted with a lockable door.

### 3.2 Temperature Readout

The unit is fitted with suction and discharge temperature sensors. The sensor readings may be viewed on the controller display.

### 3.3 Pressure Readout

The unit is fitted with evaporator and discharge transducers. The transducer readings may be viewed on the controller display.

### 3.4 Compressor

The unit is fitted with a scroll compressor equipped with suction and discharge service connections.

### 3.5 Condenser Coil

The unit is fitted with a four-row condenser coil using 7mm tubing.

### 3.6 Evaporator

Evaporator section is equipped with an electronic expansion valve (EEV).

### 3.7 Evaporator Fan Operation

Units are equipped with three-phase evaporator fan motors. Opening of an evaporator fan internal protector will shut down the unit.

### 3.8 Plate Set

Each unit is equipped with a tethered set of wiring schematics and wiring diagram plates. The plate sets are ordered using a seven-digit base part number and a two-digit dash number.

## 4 OPTION DESCRIPTIONS

Various options may be factory or field equipped to the base unit. These options are listed in the tables and described in the following subparagraphs.

### 4.1 Battery

The refrigeration controller may be fitted with standard replaceable batteries or a rechargeable battery pack. Rechargeable battery packs may be fitted in the standard or in a secure location.

### 4.2 Dehumidification

The unit may be fitted with a humidity sensor. This sensor allows setting of a humidity set point in the controller. In dehumidification mode, the controller will operate to reduce internal container moisture level.

### 4.3 USDA

The unit may be supplied with fittings for additional temperature probes, which allow recording of USDA Cold Treatment data by the integral DataCORDER function of the Micro–Link refrigeration controller.

### 4.4 Interrogator

Units that use the DataCORDER function are fitted with interrogator receptacles for connection of equipment to download the recorded data. Two receptacles may be fitted; one is accessible from the front of the container and the other is mounted inside the container (with the USDA receptacles).

### 4.5 Remote Monitoring

The unit may be fitted with a remote monitoring receptacle. This item allows connection of remote indicators for COOL, DEFROST and IN RANGE. Unless otherwise indicated, the receptacle is mounted at the control box location.

## INTRODUCTION – Continued

### 4.6 Communications Interface Module

The unit may be fitted with a communications interface module. The communications interface module is a slave module, which allows communication with a master central monitoring station. The module will respond to communication and return information over the main power line. Refer to the ship master system technical manual for additional information.

### 4.7 Autotransformer

An autotransformer may be provided to allow operation on 190/230, 3-phase, 50/60 Hz power. The autotransformer raises the supply voltage to the nominal 380/460 volt power required by the base unit. The autotransformer may also be fitted with an individual circuit breaker for the 230 volt power.

If the unit is equipped with an autotransformer and communications module, the autotransformer will be fitted with a transformer bridge unit (TBU) to assist in communications.

### 4.8 Temperature Recorder

The units may be fitted with an electronic temperature recording device.

### 4.9 Handles

The unit may be equipped with handles to facilitate access to stacked containers. These fixed handles are located on either side of the unit.

### 4.10 Thermometer Port

The unit may be fitted with ports in the front of the frame for insertion of a thermometer to measure supply and/or return air temperature. If fitted, the port(s) will require a cap and chain.

### 4.11 Water Cooling

The refrigeration system may be fitted with a water-cooled condenser. The condenser is constructed using copper-nickel tube for sea water applications. The water-cooled condenser is in series with the air cooled condenser and replaces the standard unit receiver. When operating on the water-cooled condenser, the condenser fan is deactivated by a water pressure switch or condenser fan switch.

### 4.12 Back Panels

Aluminum back panels may have access doors and/or hinge mounting.

### 4.13 460 Volt Cable

Various power cable and plug designs are available for the main 460 volt supply. The plug options tailor the cables to each customer's requirements.

### 4.14 230 Volt Cable

Units equipped with an autotransformer require an additional power cable for connection to the 230 volt source. Various power cable and plug designs are available. The plug options tailor the cables to each customer's requirements.

### 4.15 Cable Restraint

Various designs are available for storage of the power cables. These options are variations of the compressor section cable guard.

### 4.16 Upper Air (Fresh Air Make Up)

The unit may be fitted with an upper fresh air makeup assembly. The fresh air makeup assembly is available with a vent positioning sensor (VPS) and may also be fitted with screens.

### 4.17 Lower Air (Fresh Air Make Up)

The unit may be fitted with a lower fresh air makeup assembly. The fresh air makeup assembly is available with a vent positioning sensor (VPS) and may also be fitted with screens.

### 4.18 Labels

Safety Instruction and Function Code listing labels differ, depending on the options installed. Labels available with additional languages are listed in the parts list.

### 4.19 Controller

Two replacement controllers are available:

1. Remanufactured – Controller is the equivalent of a new OEM controller and is supplied with a 12-month warranty.
2. Repaired – Controller has had previous faults repaired and upgraded with the latest software.

Note: Repaired controllers are NOT to be used for warranty repairs; only full OEM Remanufactured controllers are to be used.

Controllers will be factory-equipped with the latest version of operational software, but will NOT be configured for a specific model number and will need to be configured at the time of installation or sale.

### 4.20 Condenser Grille

Two styles of condenser grilles are available: direct bolted grilles and hinged grilles.

### 4.21 Emergency Bypass

The optional Emergency Bypass switch (EB) functions to bypass the controller in the event of controller failure.

### 4.22 eAutoFresh

The optional eAutoFresh venting system moderates the atmospheric level inside the container unit in response to cargo respiration.

### 4.23 Controlled Atmosphere

Units may be fitted with the TransFresh option.

For information on the TransFresh system, contact TransFresh Corporation, P.O. Box 1788, Salinas, CA 93902.



# OPTION LEGEND

General	
-	Feature Not Applicable
X	Features Installed
P	Factory Installation of Equipment to Allow Field Installation (Provision)
Autotransformer Codes	
1	Transformer Fitted
2	Transformer With CB2 Fitted
Back Panel Codes	
1	Bolted Panels
4	Hinged Panels
5	Bolted Panels with 5+1 Heater Arrangement
Battery and Controller Kit (Facing View) Codes	
R	Rechargeable Cells
S	Secure Location (Rechargeable Cells)
Bulkhead Penetration Codes	
1	Not Installed
2	Standard Installed
Cable and Compressor Guards	
1	Standard Guard, 460 V Cable
2	Standard Guard, Transicord
Cable Restraint Codes	
2	Left Bungee Cord Only
3	J-Hook
R	Dummy Receptacle
Compressor Codes	
S	Scroll
SS	Scroll with Semi-Hermetic Piping
Condenser Fan Grille Codes	
B	Bolted Grille
H	Hinged Grille
Condenser Fan Motor Codes	
1	Single-Phase Condenser Fan Motor
2	Three-Phase Condenser Fan Motor
Control Box Communications Interface Module Codes	
2	High Data Rate
4	Low Data Rate
Control Box Preparation Codes	
1	Aluminum Box with Latch Fastener
2	Aluminum Box with Screw Fastener
3	Aluminum Box with Locking Screw Fastener

Control Box Shield Codes	
1	High Voltage Shield
2	Low Voltage Shield
Control Box Door Codes	
2	Standard Door, Slotted Screw Fasteners
3	Standard Door, Wing Screw Fasteners
4	Door with Flat Window, Wing Fasteners
5	Latching Door
6	Standard Door, Phillips Screw Fasteners
Controlled Atmosphere – TransFresh Codes	
1	Kit for Units Not Provisioned for TransFresh
Rain Gutter Codes	
1	Standard Length Bolted Gutters
4	Riveted Gutters
Heater and Sensor Codes	
1	Standard Heater Arrangement
2	5+1 Heater Arrangement
X	Dehumidification Option
Interrogator Codes	
1	Left Straight Mount (Option V)
3	Control Box Mount
4	Left Straight Mount (Option D)
Label Codes	
1	English
Low Voltage Harness Codes	
D	Used in conjunction with USDA codes
V	Used in conjunction with USDA codes
Lower Fresh Air Codes	
1	Lower Fresh Air Not Installed
2	Lower Fresh Air Installed
4	Lower Fresh Air With Screens, VPS Installed
Remote Monitoring (RM) Receptacle and Switch Panel	
1	No RM, Start Switch Plate
2	No RM, Start Switch Plate with Boot
3	No RM, Compressor Fan Switch Plate
4	No RM, Manual Defrost (MD) Switch Plate
5	No RM, MD Switch Plate with Boot
6	No RM, Amber Defrost Light Switch Plate
7	No RM, Red Defrost Light Switch Plate
8	With Internal RM Switch Plate
9	With Internal RM, MD Switch Plate
10	With Internal RM, Amber Defrost Light Switch Plate
11	With External RM Switch Plate

Temperature Recorder Codes	
9	No Temperature Recorder
PS	Temperature Recorder Provision – Recorder Box Cover Only, Customer Specific
12	Special Electronic Partlow
13	Standard Electronic Partlow
Thermometer Port Codes	
1	Supply Air Port
2	Return Air Port
B	Both Ports
Upper Fresh Air Codes	
1	Not Installed – Access Panel Only
2	Upper Fresh Air Installed with Standard Fasteners
2	Upper Fresh Air Installed with Stainless Steel Fasteners
3	Upper Fresh Air Installed with Screens
4	Upper Fresh Air Installed with VPS
Upper Fresh Air – eAutoFresh Codes	
1	eAutoFresh Installed

USDA Codes	
1	Option 1 Probe Kit
2	Option 2 Probe Kit
D	Option D
P	Option P
S	Field-Installed Kits for USDA Provisioned Units and 5+1 Heater Arrangement
V	Option V
Vacuum Relief Valve Codes Codes	
1	Vacuum Relief Valve
2	Valve with Nitrogen-Fed Atmosphere
3	Valve, Customer Specific
230 and 460 Volt Cable Codes	
1	Option1
2	Option 2
3	Option 3
4	Option 4
5	Option 5
6	Option 6
7	Option 7
8	Option 8
9	Option 9

## 5 ORDERING INSTRUCTIONS

All orders and inquiries for parts must include: Parts Identification Number (**PID**), Model Number, Unit Serial Number, Part Number, description of part as shown on list, and quantity required. Address all correspondence for parts to the following address:

CARRIER TRANSICOLD DIVISION  
 Replacement Components Group, TR-20  
 P.O. Box 4805, Syracuse, New York 13221  
 or FAX to: (315) 432-3778

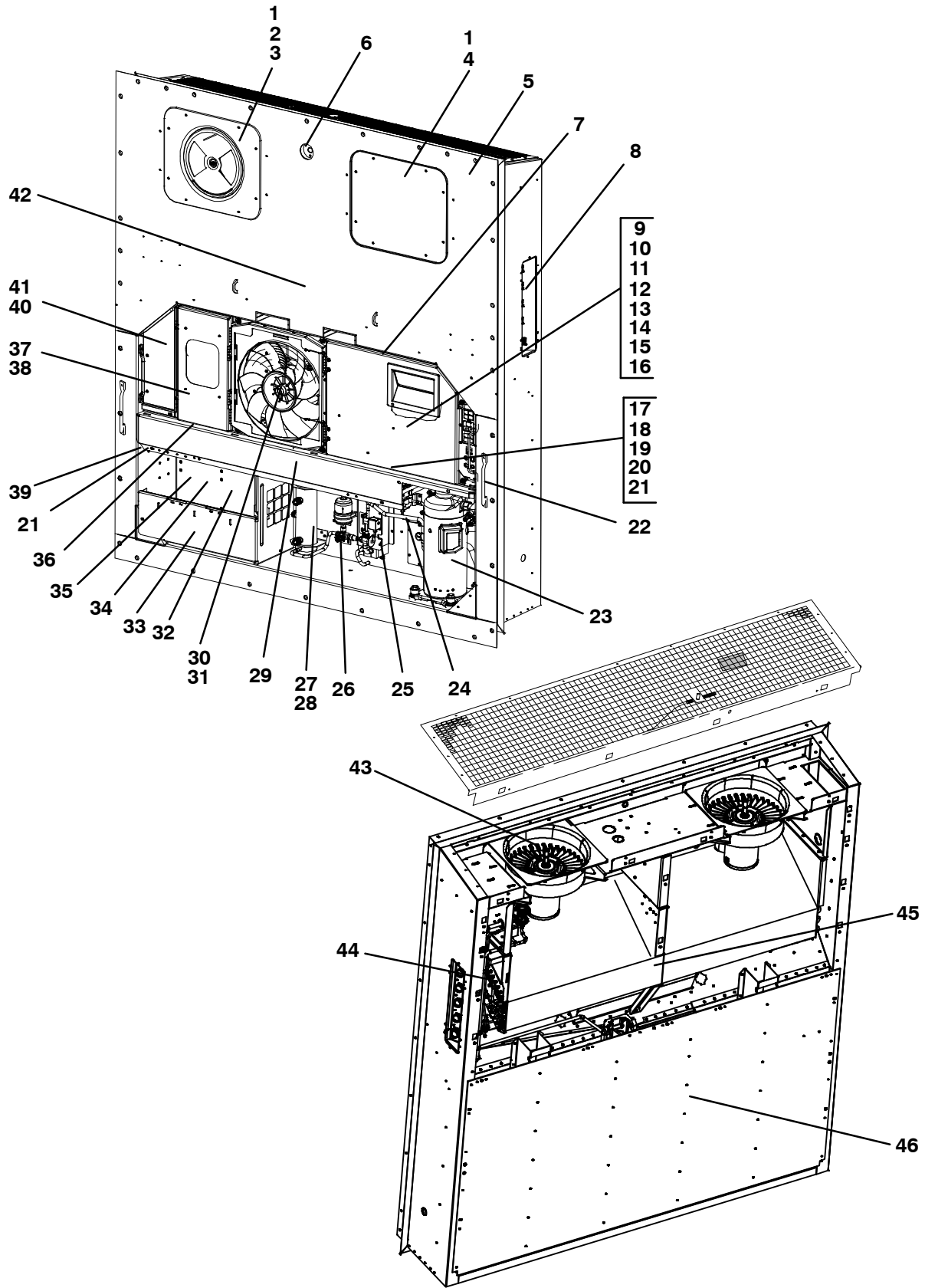
## 6 LETTER DESIGNATIONS

The following letter designations are used to classify parts throughout this list:

- A/R = *As Required*
- N/A = *Not Available*
- NS = *Not Shown* in illustration
- NSS = *Not Sold Separately* - order next higher assembly or kit
- PID = *Parts Identification Number* - essential to identify unit configuration.
- PL = *Purchase Locally*
- SST = *Stainless Steel* - 300 Series unless otherwise specified.
- SV = Suffix *SV* - added to part number designates service replacement part.

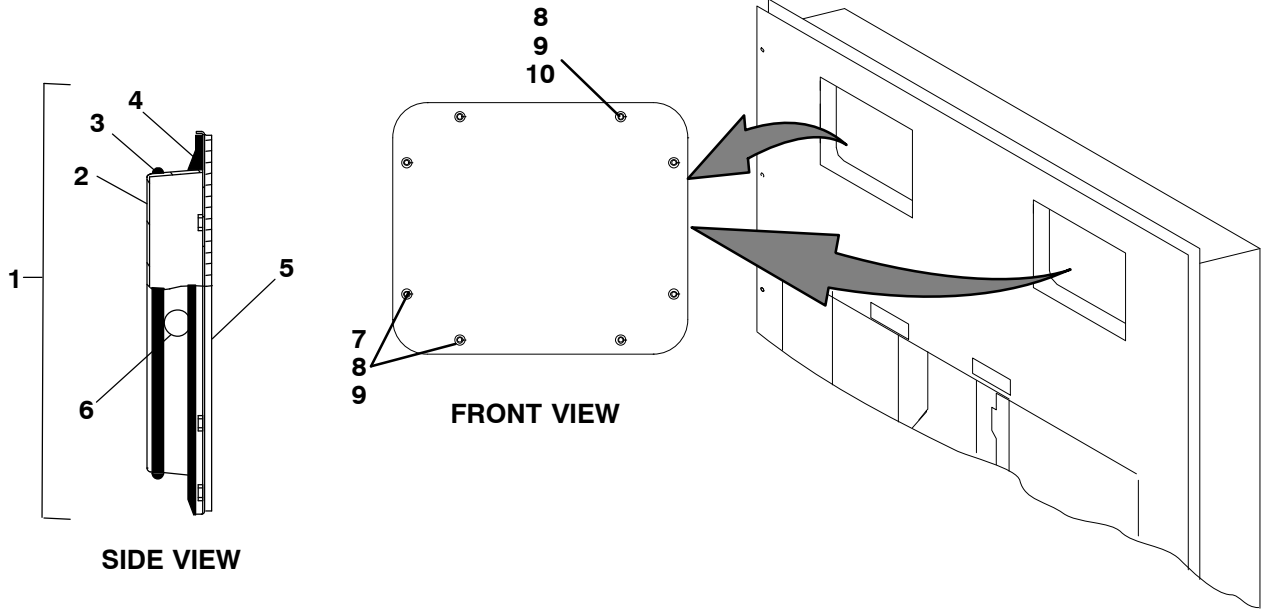


**1 REFRIGERATION UNIT ASSEMBLY**  
**1.1 REFRIGERATION UNIT - AREA LOCATOR**



<b>1.1 REFRIGERATION UNIT – AREA LOCATOR (Continued)</b>		
<b>Item</b>	<b>Section Number</b>	<b>Area Description</b>
1	Refer to Section 1.2	Upper Fresh Air
2	Refer to Section 1.3	Upper Fresh Air – eAutoFresh
3	Refer to Section 1.4	Upper Fresh Air – eAutoFresh Panel Assembly
4	Refer to Section 1.5	Controlled Atmosphere – TransFresh
5	Refer to Section 1.6	Bulkhead Penetration – Upper Air Exchange
6	Refer to Section 1.7	Thermometer Port
7	Refer to Section 1.8	Rain Gutters
8	Refer to Section 1.9	USDA
9	Refer to Section 1.10	Control Box – Door
10	Refer to Section 1.11	Control Box – Shield
11	Refer to Section 1.12	Control Box – Wiring
12	Refer to Section 1.13	Control Box – RMU Receptacle and Switch Panel – No RM and Internal Views
13	Refer to Section 1.14	Control Box – RMU Receptacle and Switch Panel – External View
14	Refer to Section 1.15	Control Box – Remote Monitoring Unit (RMU)
15	Refer to Section 1.16	Control Box – Controller Module Section and Software Cards
16	Refer to Section 1.17	Control Box Preparation
17	Refer to Section 1.18	Controller Kit – Facing View
18	Refer to Section 1.19	Controller Kit – Detailed View With and Without Shields
19	Refer to Section 1.20	Controller Kit – Rear View
20	Refer to Section 1.21	Controller Kit – Emergency Bypass System
21	Refer to Section 1.22	Interrogator Receptacle
22	Refer to Section 1.23	Handles
23	Refer to Section 1.24	Compressor, Mounting Components, and Power Cable
24	Refer to Section 1.25	Compressor Tubing
25	Refer to Section 1.26	Economizer
26	Refer to Section 1.27	Liquid Line Components
27	Refer to Section 1.28	Receiver
28	Refer to Section 1.29	Water-Cooled Condenser
29	Refer to Section 1.30	Air-Cooled Condenser Coil and Covers
30	Refer to Section 1.31	Condenser Fan Motor
31	Refer to Section 1.32	Condenser Fan Grille Assembly
32	Refer to Section 1.33	Voltage Cables
33	Refer to Section 1.34	Cable Guards
34	Refer to Section 1.35	Autotransformer
35	Refer to Section 1.36	Cable Restraint Components
36	Refer to Section 1.37	Vacuum Relief Valve / Controlled Atmosphere
37	Refer to Section 1.38	Electronic Temperature Recorder – Options 9 and P
38	Refer to Section 1.39	Electronic Temperature Recorder – Options 12 and 13
39	Refer to Section 1.40	Drain
40	Refer to Section 1.41	Lower Fresh Air Make-up
41	Refer to Section 1.42	Bulkhead Penetration – Lower Air Exchange
42	Refer to Section 1.43	Labels and Decals
43	Refer to Section 1.44	Evaporator Fan Assembly
44	Refer to Section 1.45	Evaporator Tubing and Coil
45	Refer to Section 1.46	Heaters and Sensors (Rear Panels Removed)
46	Refer to Section 1.47	Back Panel Assembly
NS	Refer to Section 1.48	Harness – Low Voltage
NS	Refer to Section 1.49	Harness – High Voltage
NS	Refer to Section 2.1	DataLine/Data Reader

**1.2 UPPER FRESH AIR**

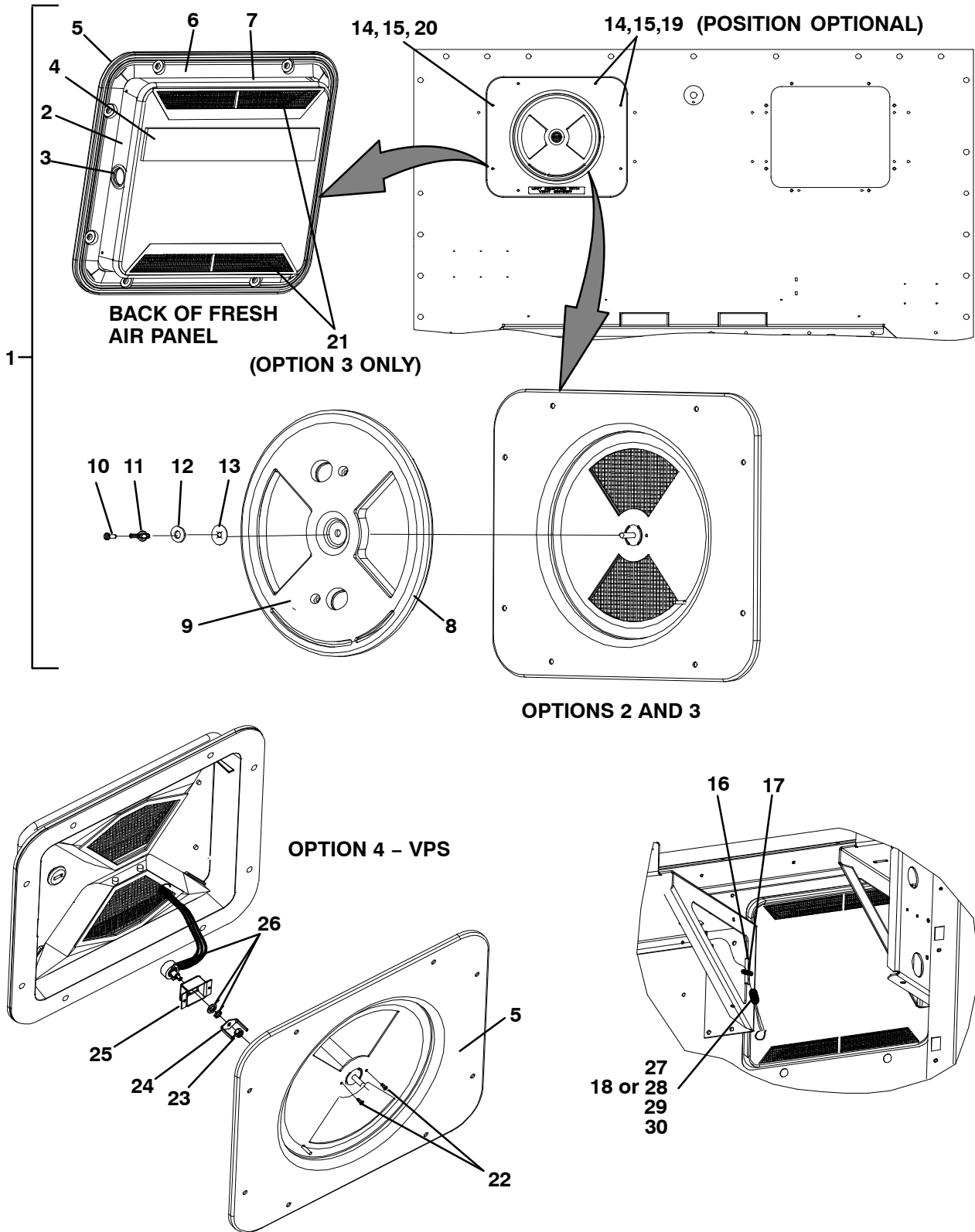


**OPTION 1**

**OPTIONAL POSITION FOR TIR EQUIPPED UNITS**

<b>1.2 UPPER FRESH AIR (Continued)</b>			
<b>Item</b>	<b>Part Number</b>	<b>Description</b>	<b>Qty</b>
<b>OPTION 1 - ACCESS PANEL ONLY</b>			
1	79-01697-06SV	Panel Assembly, Access, Evaporator, White - Includes:	A/R
	79-01697-17SV	Panel Assembly, Access, Evaporator, Orange - Includes:	A/R
2	58-04378-01	Panel, Access	1
3	42-00327-00	Gasket, 0.26 X 0.50 Half-Round	1
4	42-00296-01	Gasket, Evaporator Access Panel	1
5	68-11989-00	Cover, Top, Evaporator Access Panel, White	A/R
	68-11989-01	Cover, Top, Evaporator Access Panel, Orange	A/R
6	66U1-5562-2	Plug Button	1
7	34-06154-00	Screw, Hex Head, 1/4-20 X 1.00 Inch Long - TIR	A/R
8	34-06053-13	Washer, Mylar	8
9	34-06212-12	Washer, Plain, 1/4	8
10	34-00655-08	Screw, Hex Head, 1/4-20 X 1.00 Inch Long	A/R

1.2 UPPER FRESH AIR (Continued)





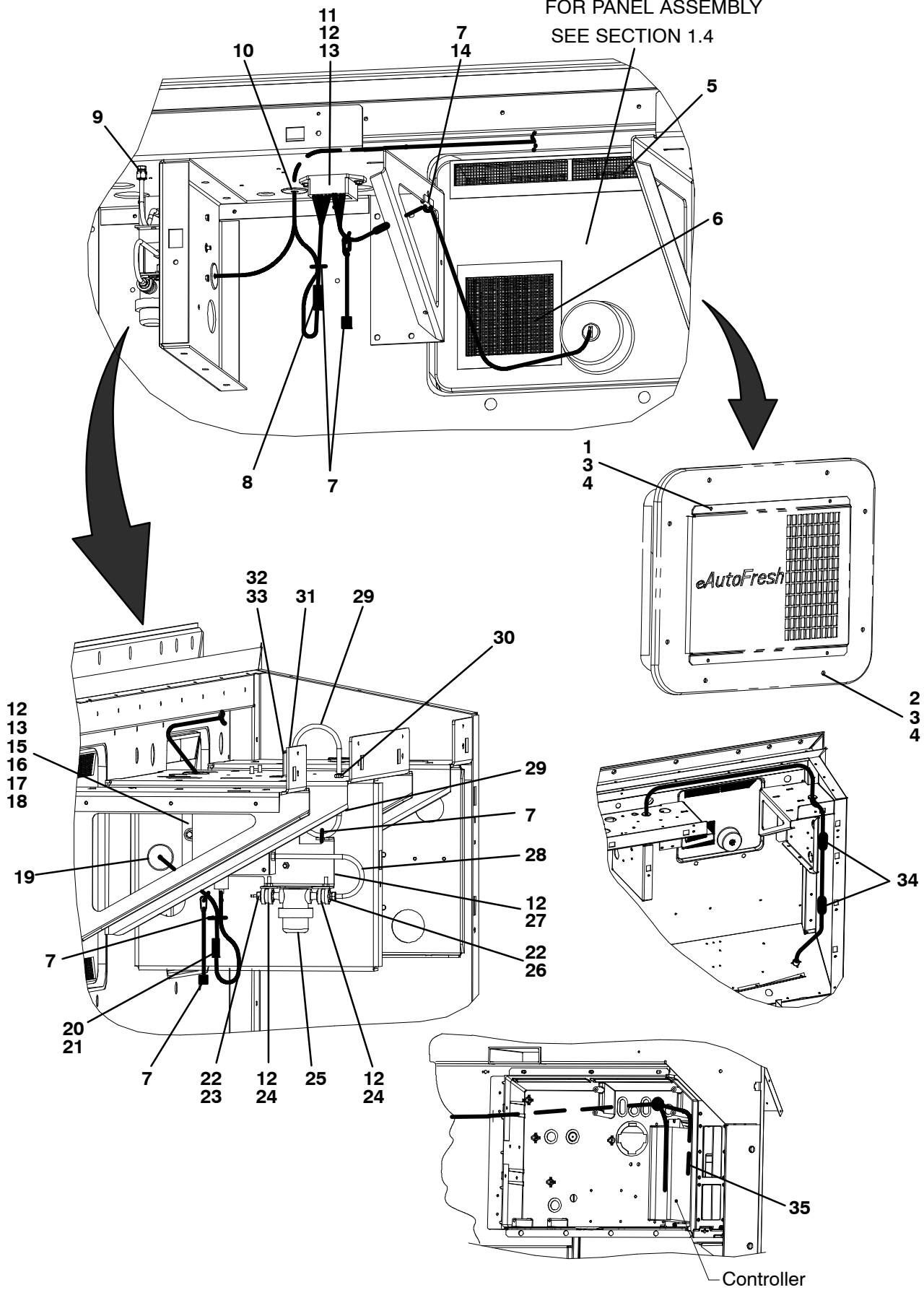
<b>1.2 UPPER FRESH AIR (Continued)</b>			
<b>Item</b>	<b>Part Number</b>	<b>Description</b>	<b>Qty</b>
<b>STANDARD PARTS INCLUDED IN OPTIONS 2 AND 3</b>			
1	79-01695-00	Panel Assembly, Access – Includes:	1
2	58-04376-03	Panel, Access	1
3	66U1-5562-2	Plug Button, 1.25 Inch Diameter Hole	1
4	66U1-2552-185	Gasket	1
5	68-12940-00	Cover, Top, Evaporator Access Panel	1
6	42-00296-01	Gasket, Evaporator Access Panel	1
7	42-00327-00	Gasket, 0.26 X 0.50 Half-Round	1
8	42-00407-00	Gasket, 0.50 Fresh Air Disc	1
9	68-12933-00	Disc, 12.35 Inch Diameter	1
10	34-06185-01	Screw, Machined, #8-32 X 0.50 with Nylock	1
11	66U1-5362-2	Nut, Wing, 5/16-18, SST	1
12	66U1-5321-13	Washer, Plain 5/16 W Type A, SST	1
13	34-06053-19	Washer, Mylar 1.00 OD X 0.312 ID	1
14	34-06053-13	Washer, Mylar, 1/4 ID X 0.80 OD	8
15	34-06212-12	Washer, Flat, 1/4, SST	8
16	66CH1-1172-2	Trim, Flexible 2.00 Inches Long	1
17	58-00969-00	Wire Tie 2.80 Inch Diameter, Double Loop	1
18	66U1-8292-1	Cap, Insulating 0.125 OD Black	3
<b>OPTION 2 – UPPER FRESH AIR INSTALLED WITH STANDARD FASTENERS</b>			
<b>See Previous Section for Standard Parts and use with Items Below:</b>			
19	34-06154-00	Screw, Hex Head, 1/4-20 X 1.00 Inch Long – TIR	2
20	34-00655-08	Screw, Hex Head, 1/4-20 X 1.00 Inch Long	6
<b>OPTION 2- UPPER FRESH AIR INSTALLED WITH STAINLESS STEEL FASTENERS</b>			
<b>See Previous Section for Standard Parts and use with Items Below:</b>			
19	34-66627-00	Screw, Hex Head, 1/4-20 X 1.00 Inch Long – TIR	2
20	66U1-5361-50	Screw, Hex Head, 1/4-20 X 1.00 Inch Long	6

<b>1.2 UPPER FRESH AIR (Continued)</b>			
<b>Item</b>	<b>Part Number</b>	<b>Description</b>	<b>Qty</b>
<b>OPTION 3 – UPPER FRESH AIR INSTALLED WITH SCREENS, 10 X 10</b>			
2	58-04376-01	Panel, Access with Screen, Medfly, 10 X 10 – Includes:	1
3	66U1-5562-2	Plug Button, 1.25 Inch Diameter Hole	1
5	68-12940-00	Cover, Top, Evaporator Access Panel	1
6	42-00296-01	Gasket, Evaporator Access Panel	1
7	42-00327-00	Gasket, 0.26 X 0.50 Half-Round	1
8	42-00407-00	Gasket, 0.50 Fresh Air Disc	1
9	68-12933-00	Disc, 12.35 Inch Diameter	1
10	34-06185-01	Screw, Machined, #8-32 X 0.50 with Nylock	1
11	66U1-5362-2	Nut, Wing, 5/16-18, SST	1
12	66U1-5321-13	Washer, Plain 5/16 W Type A, SST	1
13	34-06053-19	Washer, Mylar 1.00 OD X 0.312 ID	1
14	34-06053-13	Washer, Mylar, 1/4 ID X 0.80 OD	8
15	34-06212-12	Washer, Flat, 1/4, SST	8
16	66CH1-1172-2	Trim, Flexible 2.00 Inches Long	1
17	58-00969-00	Wire Tie 2.80 Inch Diameter, Double Loop	1
18	66U1-8292-1	Cap, Insulating 0.125 OD Black	3
19	34-06154-00	Screw, Hex Head, 1/4-20 X 1.00 Inch Long – TIR	2
20	34-00655-08	Screw, Hex Head, 1/4-20 X 1.00 Inch Long	6
<b>OPTION 3 – UPPER FRESH AIR INSTALLED WITH SCREENS, 16 X 16</b>			
<b>See Previous Section for Standard Parts and use with Items Below:</b>			
19	34-06154-00	Screw, Hex Head, 1/4-20 X 1.00 Inch Long – TIR	2
20	34-00655-08	Screw, Hex Head, 1/4-20 X 1.00 Inch Long	6
21	58-04251-00	Screen, Medfly, USDA, 16 X 16	2

<b>1.2 UPPER FRESH AIR (Continued)</b>			
<b>Item</b>	<b>Part Number</b>	<b>Description</b>	<b>Qty</b>
<b>OPTION 4 – UPPER FRESH AIR INSTALLED WITH VENT POSITIONING SENSOR</b>			
1	79-66626-00	Panel Assembly, Access, White – Includes:	1
	79-66626-01	Panel Assembly, Access, Orange – Includes:	1
2	58-04376-05	Panel, Access	1
3	66U1-5562-2	Plug Button, 1.25 Inch Diameter Hole	1
4	34-06185-01	Screw, Pan Head, #8-32 X 0.50 with Nylock	1
5	68-12940-05	Cover, Top, Evaporator Access Panel, White	1
	68-12940-03	Cover, Top, Evaporator Access Panel, Orange	1
6	42-00296-01	Gasket, Evaporator Access Panel	1
7	42-00327-00	Gasket, 0.26 X 0.50 Half-Round	1
8	42-00407-00	Gasket, 0.50 Fresh Air Disc	1
9	68-12933-07	Disc, 12.35 Inch Diameter, White	1
	68-12933-05	Disc, 12.35 Inch Diameter, Orange	1
10	66U1-5362-2	Nut, Wing, 5/16-18, SST	1
11	34-06053-19	Washer, Mylar 1.00 OD X 0.312 ID	1
12	66U1-5321-13	Washer, Plain 5/16 W Type A, SST	1
13	66U1-2552-185	Gasket	1
14	34-06053-13	Washer, Mylar, 1/4 ID X 0.80 OD	8
15	34-06212-12	Washer, Flat, 1/4, SST	8
16	66CH1-1172-2	Trim, Flexible 2.00 Inches Long	1
17	58-00969-00	Wire Tie 2.80 Inch Diameter, Double Loop	1
18	66U1-8292-1	Cap, Insulating 0.125 OD Black <b>(NOT USED IN THIS ASSEMBLY)</b>	3
19	34-06154-00	Screw, Hex Head, 1/4-20 X 1.00 Inch Long – TIR	2
20	34-00655-08	Screw, Hex Head, 1/4-20 X 1.00 Inch Long	6
21	58-04251-00	Screen, Medfly, USDA, 16 X 16 <b>(NOT USED IN THIS ASSEMBLY)</b>	2
22	34-00928-02	Rivet, Blind 0.125 Inch Diameter 0.126-0.187	2
23	NSS	Nut, Self Lock, 1/4-20	1
24	NSS	Plate	2
25	NSS	Bracket, Sensor	2
26	NSS	Sensor, Rotary Position	1
27	22-01613-10	Plug, 4-Pin	1
28	22-01613-13	Contact, Socket #16	3
29	22-01613-11	Lock, 4-Pin – Secondary	1
30	22-01660-08	Plug, 0.12 Inch Diameter X 0.58	1

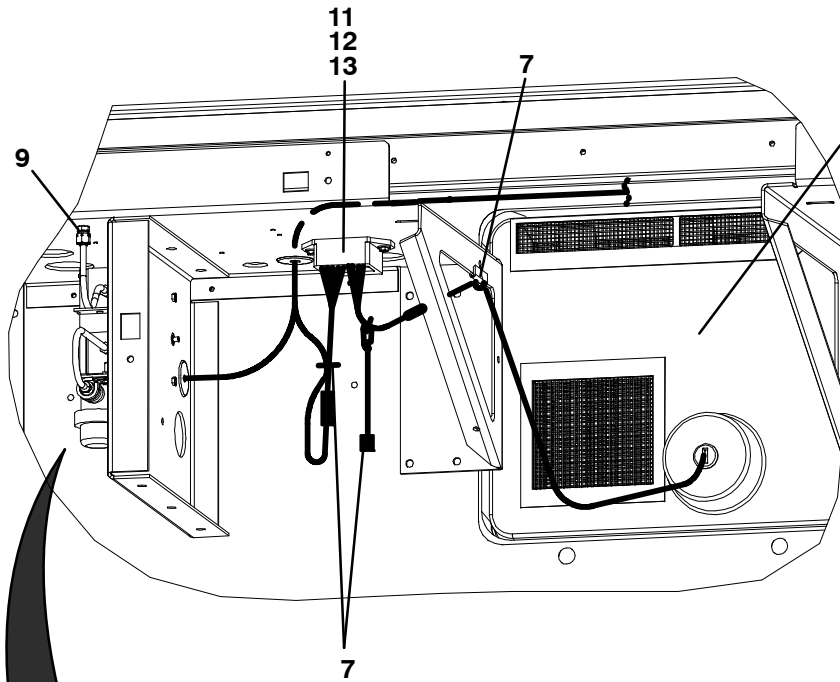
1.3 UPPER FRESH AIR – eAutoFresh

FOR PANEL ASSEMBLY  
SEE SECTION 1.4

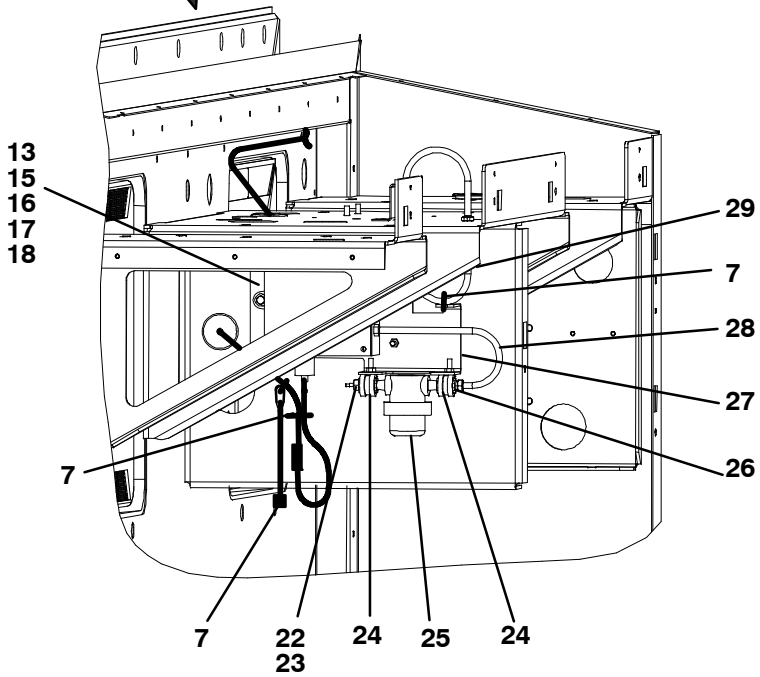


<b>1.3 UPPER FRESH AIR – eAutoFresh (Continued)</b>			
<b>Item</b>	<b>Part Number</b>	<b>Description</b>	<b>Qty</b>
<b>OPTION P – UNITS PROVISIONED FOR eAutoFresh OPTION</b>			
NS	79-66643-00	eAutoFresh, White Panel – SEE SECTION 1.4	1
	79-66643-01	eAutoFresh, Orange Panel – SEE SECTION 1.4	1
1	34-06154-00	Screw, Cap Hex Head 1/4-20 X 1.00 TIR	2
2	34-00655-08	Screw, Cap Hex Head 1/4-20 X 1.00	6
3	34-06053-13	Washer, Retaining 0.19 ID X 0.80 OD (0.250)	8
4	34-06212-12	Washer, Plain 1/4 N Type A	8
5	58-04251-01	Screen, 16 X 16 Mesh	1
6	58-04251-02	Screen, 16 X 16 Mesh	1
7	66U1-3882	Wire Tie, 1/16-1 3/4 Self-Locking	11
8	22-01835-00	Connector, 5 Socket Weatherpack	1
9	40-00601-05	Tube, Support 1/4 OD X 0.040 Wide	1
10	58-00065-77	Grommet, 0.38 ID X 1.25 OD	1
11	10-00388-00	Powerpack, Stepper Motor	1
12	66U1-5371-6	Screw, Machine Hex Head #10-24 X 0.750 Slotted	10
13	66U1-5321-8	Washer, Plain #10 Type A	4
14	66CH1-1172-2	Trim, Flexible 2.00 Long	1
15	10-00398-00	Sensor, Carbon Dioxide – Includes:	1
16	22-01613-10	Plug	1
17	22-01613-11	Lock	1
18	22-06163-15	Socket	1
19	58-00065-78	Grommet, 0.25 ID X 1.25 OD	1
20	22-01613-08	Receptacle, 4 Pin	1
21	22-01613-09	Lock, Secondary 4 Pin (R)	1
22	40-00297-00	Coupling, 1/8 X 1/8 Pipe Thread	2
23	40-00108-03	Coupling, Half Union	1
24	34-00373-07	Clamp, Tube 0.62 Diameter Cushion	2
25	30-00415-01	Filter Assembly, Sample Air, 1/8 NPT	1
26	KA70PP048	Fitting, Hose 1/8 ID Barb X 1/8 NPT	1
27	68-14738-00	Bracket, Mounting, 0.090 Thick Aluminum	1
28	58-04497-04	Tube, 1/4 Inch OD X 7.75 Inches Long	1
29	58-04497-01	Tube, 1/4 Inch OD X 6.25 Inches Long	2
30	40-00640-00	Union, Bulkhead Double Brb/Comp Align	1
31	58-00065-84	Grommet, 0.25 X 0.50 X 0.187 Panel	1
32	68-14739-00	Bracket, 0.063 Thick Aluminum	1
33	34-00928-03	Rivet, Blind, 0.125 Diameter, 0.188-0.250	2
34	44-00361-00	Clip, Retaining 0.88-1.00 Wire Mounting	2
35	22-01777-03	Contact Socket, 20 AWG	7

1.3 UPPER FRESH AIR – eAutoFresh (Continued)

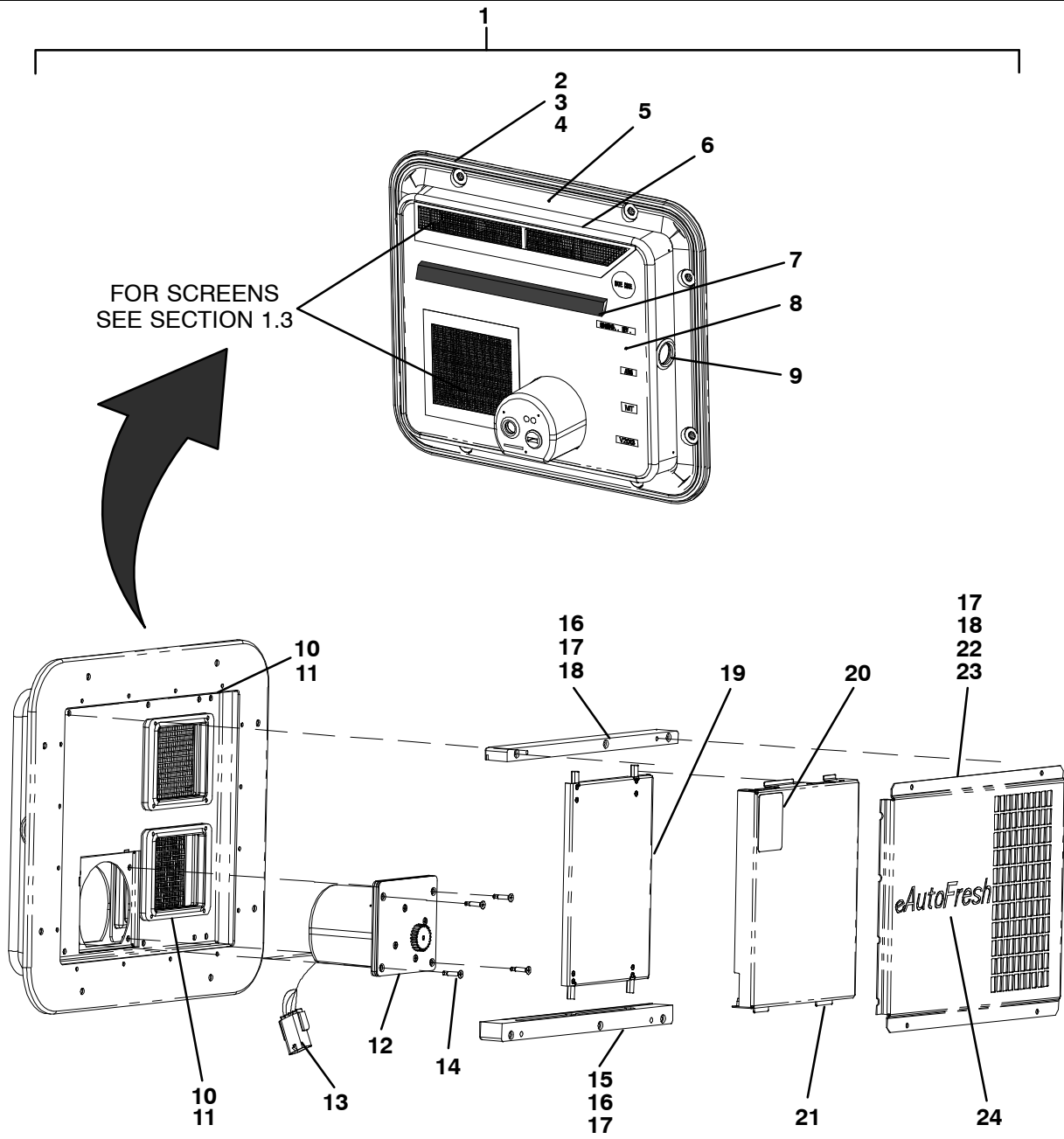


FOR PANEL ASSEMBLY  
SEE SECTION 1.4



<b>1.3 UPPER FRESH AIR – eAutoFresh (Continued)</b>			
<b>Item</b>	<b>Part Number</b>	<b>Description</b>	<b>Qty</b>
<b>OPTION 1 – eAutoFresh INSTALLED</b>			
NS	79-66643-00	eAutoFresh, White Panel – SEE SECTION 1.4	1
	79-66643-01	eAutoFresh, Orange Panel – SEE SECTION 1.4	1
7	66U1-3882	Wire Tie, 1/16-1 3/4 Self-Locking	11
9	40-00601-05	Tube, Support 1/4 OD X 0.040 Wide	1
11	10-00388-00	Powerpack, Stepper Motor	1
12	66U1-5371-6	Screw, Machine Hex Head #10-24 X 0.750 Slotted	10
13	66U1-5321-8	Washer, Plain #10 Type A	4
15	10-00398-00	Sensor, Carbon Dioxide – Includes:	1
16	22-01613-10	Plug	1
17	22-01613-11	Lock	1
18	22-06163-15	Socket	1
22	40-00297-00	Coupling, 1/8 X 1/8 Pipe Thread	2
23	40-00108-03	Coupling, Half Union	1
24	34-00373-07	Clamp, Tube 0.62 Diameter Cushion	2
25	30-00415-01	Filter Assembly, Sample Air, 1/8 NPT	1
26	KA70PP048	Fitting, Hose 1/8 ID Barb X 1/8 NPT	1
27	68-14738-00	Bracket, Mounting, 0.090 Thick Aluminum	1
28	58-04497-04	Tube, 1/4 Inch OD X 7.75 Inches Long	1
29	58-04497-01	Tube, 1/4 Inch OD X 6.25 Inches Long	2

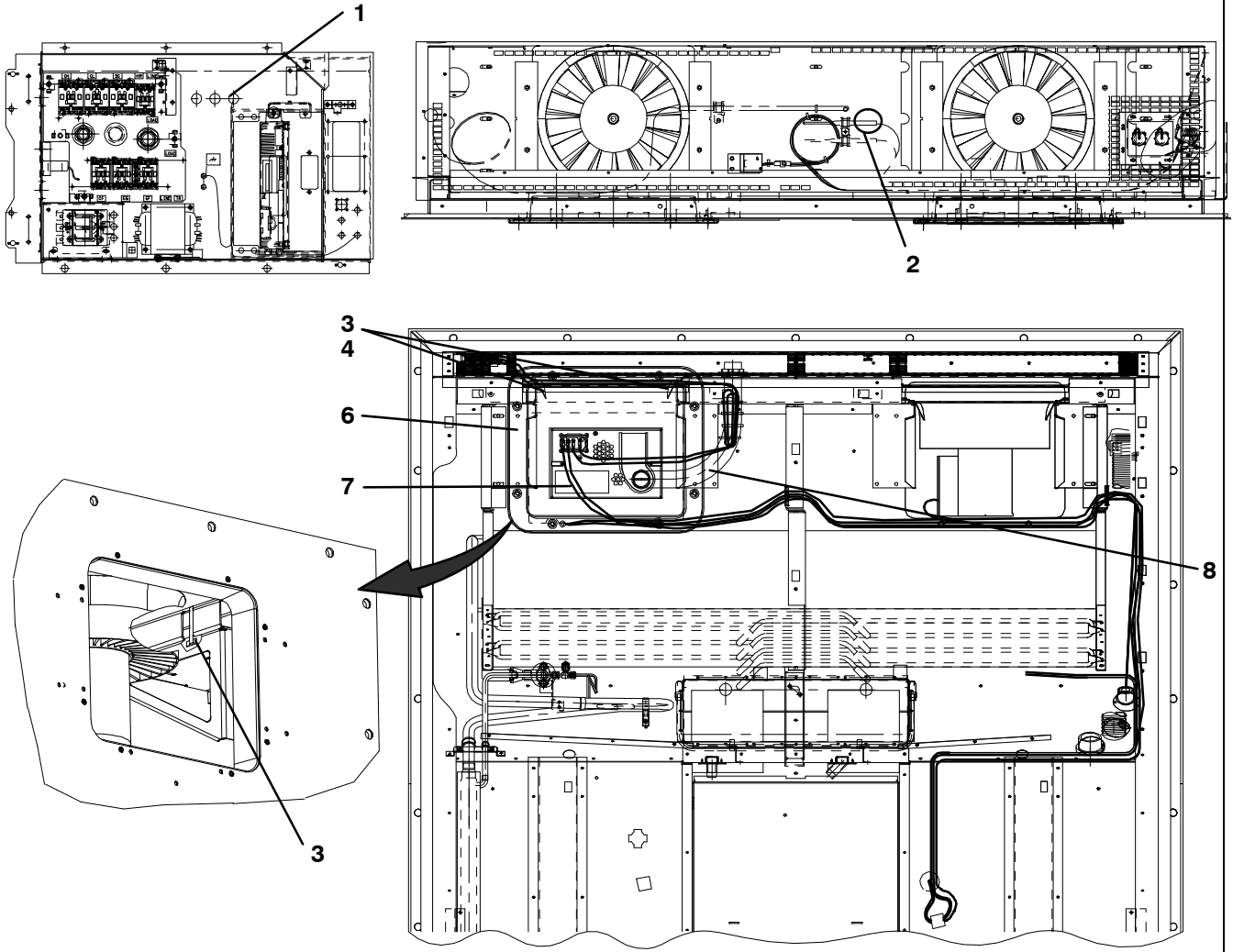
1.4 UPPER FRESH AIR – eAutoFresh PANEL ASSEMBLY



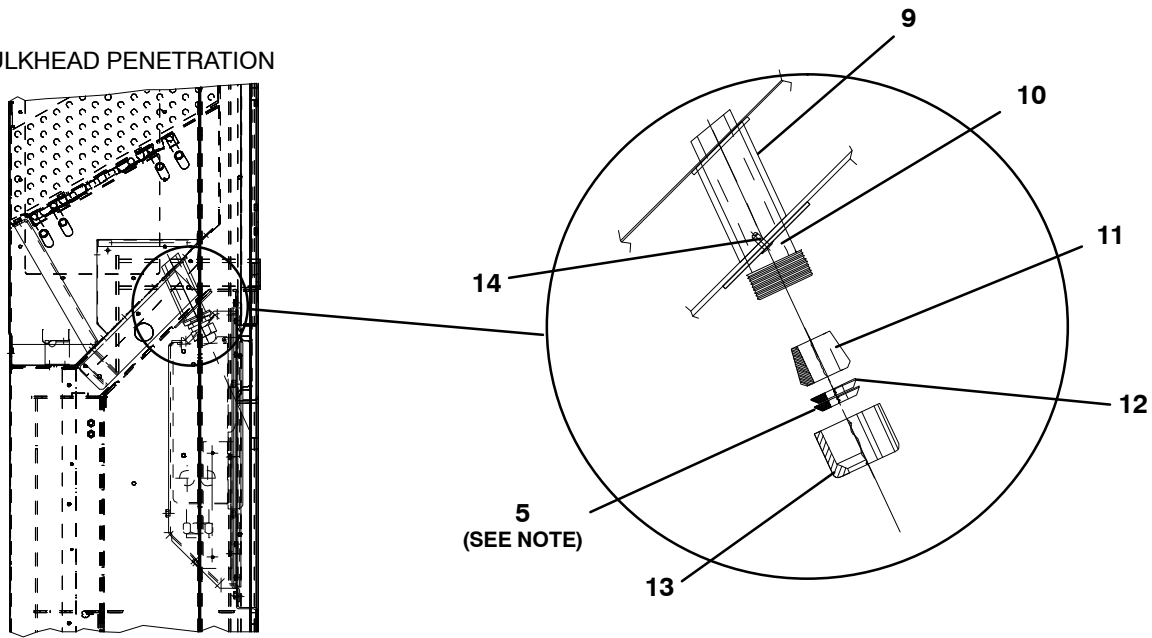


<b>1.4 UPPER FRESH AIR – eAutoFresh PANEL ASSEMBLY (Continued)</b>			
<b>Item</b>	<b>Part Number</b>	<b>Description</b>	<b>Qty</b>
1	79-66643-00	eAutoFresh, White Panel Includes:	
	79-66643-01	eAutoFresh, Orange Panel Includes:	
2	68-11989-08	Cover, Access White	1
	68-11989-10	Cover, Access Orange	1
3	34-00928-09	Rivet, Blind, 0.156 Diameter 0.126 – 0.250	16
4	86-66704-00	Box Assembly, Recess, White	1
	86-66704-01	Box Assembly, Recess, Orange	1
5	42-00296-01	Gasket, Evaporator Access Panel	1
6	42-00327-00	Gasket, 0.25 X 0.5 Half Round	1
7	58-66642-00	Panel Assembly, eAutoFresh	1
8	66U1-2552-185	Gasket, 0.75 Thick X 1.5 X 16.63	1
9	66U1-5562-2	Plug Button, 1.25 Diameter Hole	1
10	58-66640-00	Collar, eAutoFresh	2
11	34-00928-06	Rivet, Blind 0.125 Diameter 0.376 – 0.500	8
12	79-66641-00	Cup Assembly, White – Includes:	1
	79-66641-01	Cup Assembly, Orange – Includes:	1
13	22-02392-03	Connector, Female	1
14	34-66642-09	Screw, Flat Head 10-32 82 Degree Phillips	4
15	58-66645-00	Rail Bottom, eAutoFresh	1
16	66U1-6651-26	Screw, Machine Pan Head #8-32 X 1.75	10
17	34-00662-08	Washer, Plain, #8 Medium 0.032 Thick	10
18	58-66644-00	Rail Top, eAutoFresh	1
19	79-66640-00	Plate Assembly – Slide	1
20	62-66697-00	Label Warning, eAutoFresh	1
21	79-66642-00	Plate Assembly – Gasket	1
22	68-14715-00	Grille, White, 0.063 Thick Aluminum	1
	68-14715-01	Grille, Orange, 0.063 Thick Aluminum	1
23	58-04026-56	Protector, 0.562 OD X 0.177 ID	7
24	62-66701-00	Label, eAutoFresh	1

1.5 CONTROLLED ATMOSPHERE - TRANSFRESH



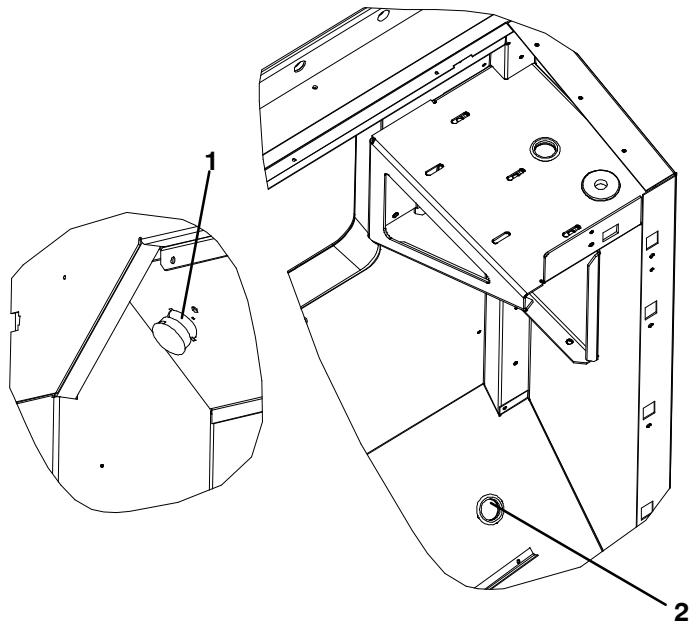
BULKHEAD PENETRATION



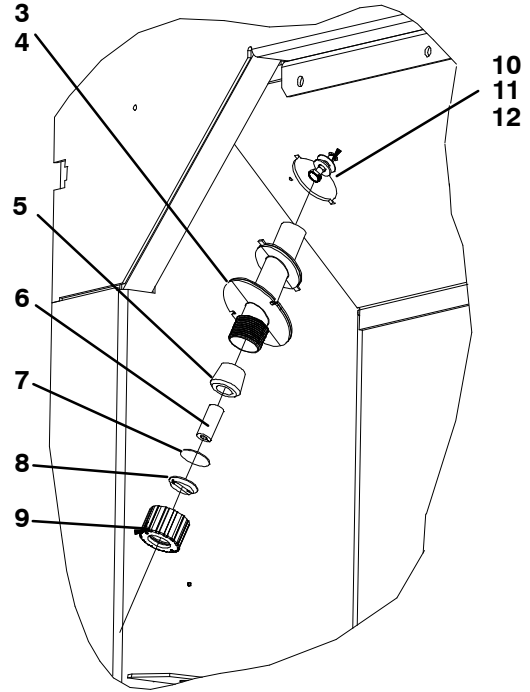
NOTE: USED IN OPTION 2 ONLY; DISCARD IF INSTALLING OPTION 1.

<b>1.5 CONTROLLED ATMOSPHERE – TRANSFRESH (Continued)</b>			
<b>Item</b>	<b>Part Number</b>	<b>Description</b>	<b>Qty</b>
<b>OPTION P – UNITS PROVISIONED FOR TRANSFRESH</b>			
–	76–00681–01	Kit, TransFresh Field Installation (For units with TransFresh Provision) – Includes:	–
1	22–02319–03	Connector, 0.236/0.512 Bundle	1
2	66U1–1571–3	Grommet, 0.50 ID x 1.00 OD	1
3	34-00655-28	Screw, Hex Head, 1/4-20 x 3.50 Long, SST	4
4	68–15146–00	Bracket, TransFresh, 0.125 Thick Aluminum	2
5	–	Blanking Disc	1
NS	66U1–3882	Wire Tie, 1/16–1 3/4 Self-Locking	12
*6	69NT35-8734-16	Panel Assembly, TransFresh	A/R
*7	69NT35-8734-12	Cable, Power – A2C (TransFresh)	A/R
*8	69NT35-8734-5	Hose Assembly, Air (TransFresh)	A/R
*NS	69NT35-8734-4	Cable Assembly, TransFresh Communications Connector ( <b>TCC</b> )	A/R
*NS	69NT35-8734-14	Cable Assembly, Rear (TransFresh)	A/R
*NS	69NT35-8734-6	Fuse Assembly, In-line (TransFresh)	A/R
<b>OPTION 1 – UNITS NOT PROVISIONED FOR TRANSFRESH (UNIT EQUIPPED WITH BULKHEAD OPTION AND NO RECORDER OPTION)</b>			
–	76–00681–02	Kit, TransFresh Field Installation (For units with NO TransFresh Provision) – Includes ALL OF OPTION 1 AND ITEMS BELOW:	–
9	66CH1–1012–40	Insulation Tube, 1.125 ID x 2.50 Inches	1
10	58-04290-00	Bulkhead Fitting	1
11	22–01602–02	Bushing, 0.625 ID x 0.88 Long	1
12	22–01602–03	Ring, 0.312–0.375 Gotcha	1
13	22–01733–01	Nut, Straight – Includes:	1
14	34–00928–04	Rivet, Blind, 0.125 Diameter, SST	2
<b>NOTE</b>			
* Contact – TransFresh Corp., P.O. Box 1788, Salinas, CA 93902 to order these parts.			

**1.6 BULKHEAD PENETRATION – UPPER AIR EXCHANGE**



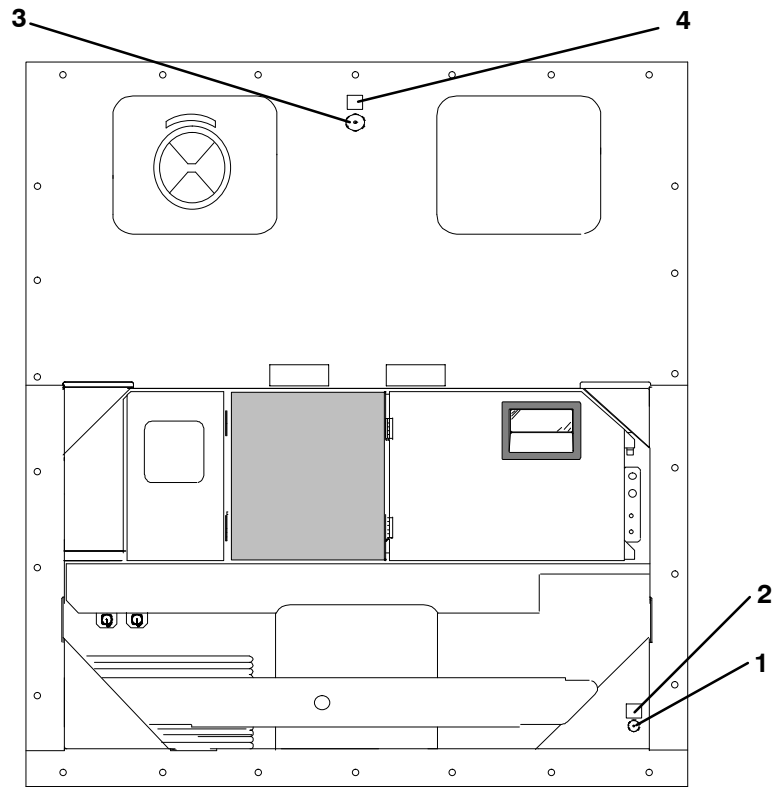
**OPTION 1**



**OPTION 2**

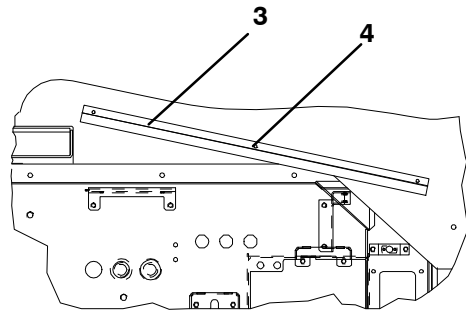
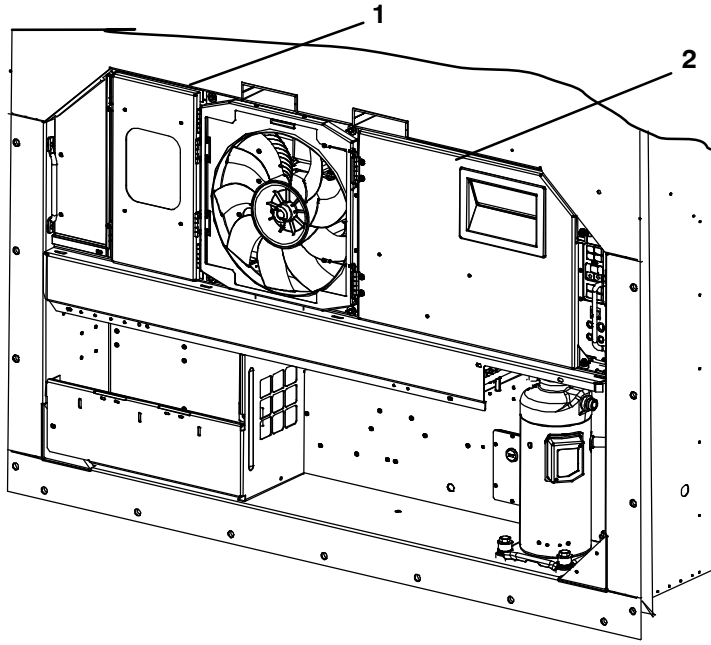
Item	Part Number	Description	Qty
<b>OPTION 1 – NOT INSTALLED</b>			
1	58-00616-00	Plug, Hole, 2.00 Inch Diameter X 0.12 Panel	1
2	66U1-5562-2	Plug Button, 1.25 Inch Diameter Hole	1
<b>OPTION 2 – STANDARD INSTALLED</b>			
3	58-04290-01	Fitting, Bulkhead	1
4	34-00928-04	Rivet, Blind, 1/8 Inch Diameter, Grip Range 1/4 – 5/16	4
5	22-01602-02	Bushing, 0.625 ID X 0.88 Inches Long	1
6	58-04302-01	Grommet, 0.25 ID X 1.25 Inches Long	1
7	69NT35-8258	Disc, 0.040 Thick Aluminum	1
8	22-01602-03	Gotcha Ring, 0.312-0.375	1
9	22-01733-01	Nut, Straight (With TIR Holes)	1
10	34-06154-00	Screw, Captive, Hex Head, 1/4-20 X 1.00 TIR	1
11	34-06053-00	Washer, 0.250 ID X 0.800 OD	1
12	66U1-5321-7	Washer, Plain, 1/4 W, Type A	1

## 1.7 THERMOMETER PORT

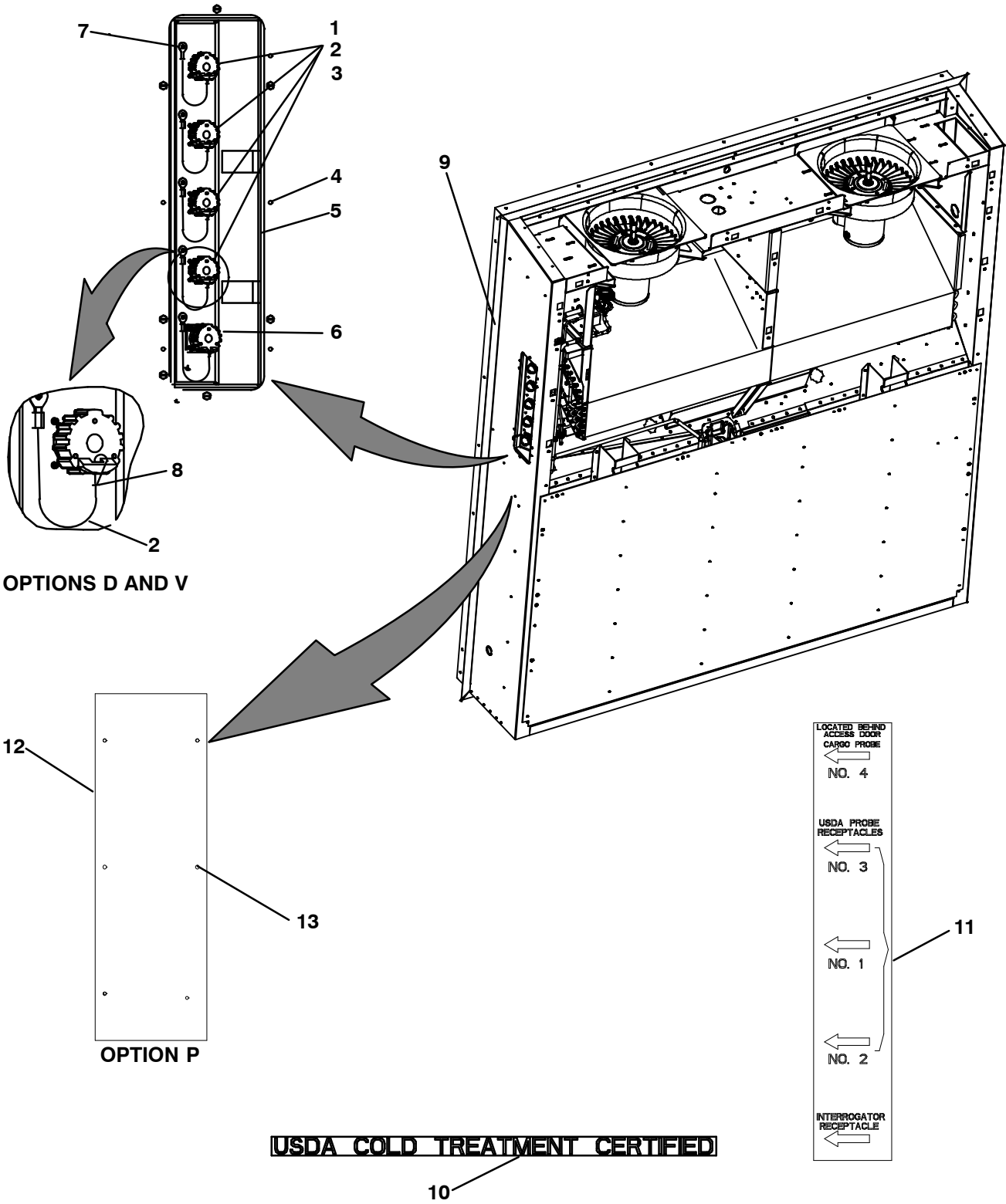


Item	Part Number	Description	Qty
<b>OPTION 1 - SUPPLY AIR PORT</b>			
1	66U1-8662	Cap and Chain Assembly	1
2	62-10557-00	Label	1
<b>OPTION 2 - RETURN AIR PORT</b>			
3	66U1-8662	Cap and Chain Assembly	1
4	62-10557-00	Label	1
<b>OPTION B - SUPPLY AND RETURN PORTS</b>			
1	66U1-8662	Cap and Chain Assembly	2
2	62-10557-00	Label	2
3	66U1-8662	Cap and Chain Assembly	1
4	62-10557-00	Label	1

1.8 RAIN GUTTERS



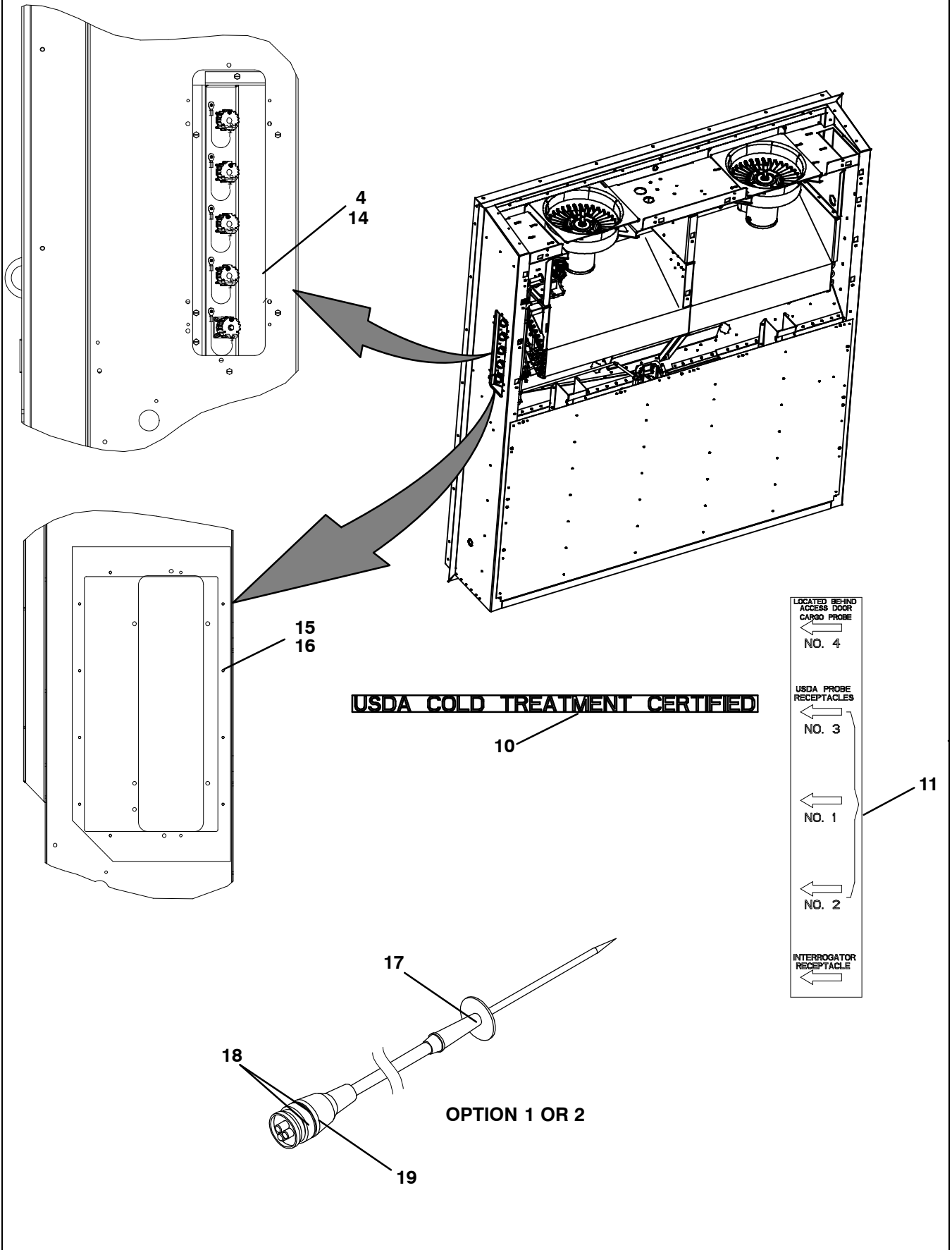
<b>1.8 RAIN GUTTERS (Continued)</b>			
<b>Item</b>	<b>Part Number</b>	<b>Description</b>	<b>Qty</b>
<b>OPTION 1 – BOLTED</b>			
1	69NT35-3997-1	Gutter, Rain (Bolted, Standard – Left Side)	1
2	69NT35-3987	Gutter, Rain (Bolted, Standard – Right Side)	1
<b>OPTION 4 – RIVETED</b>			
3	68-12417-00	Gutter, Rain (Riveted – Right and Left Side)	2
4	34-00928-13	Rivet, Blind 0.187 Inch Diameter, 0.126-0.250	6





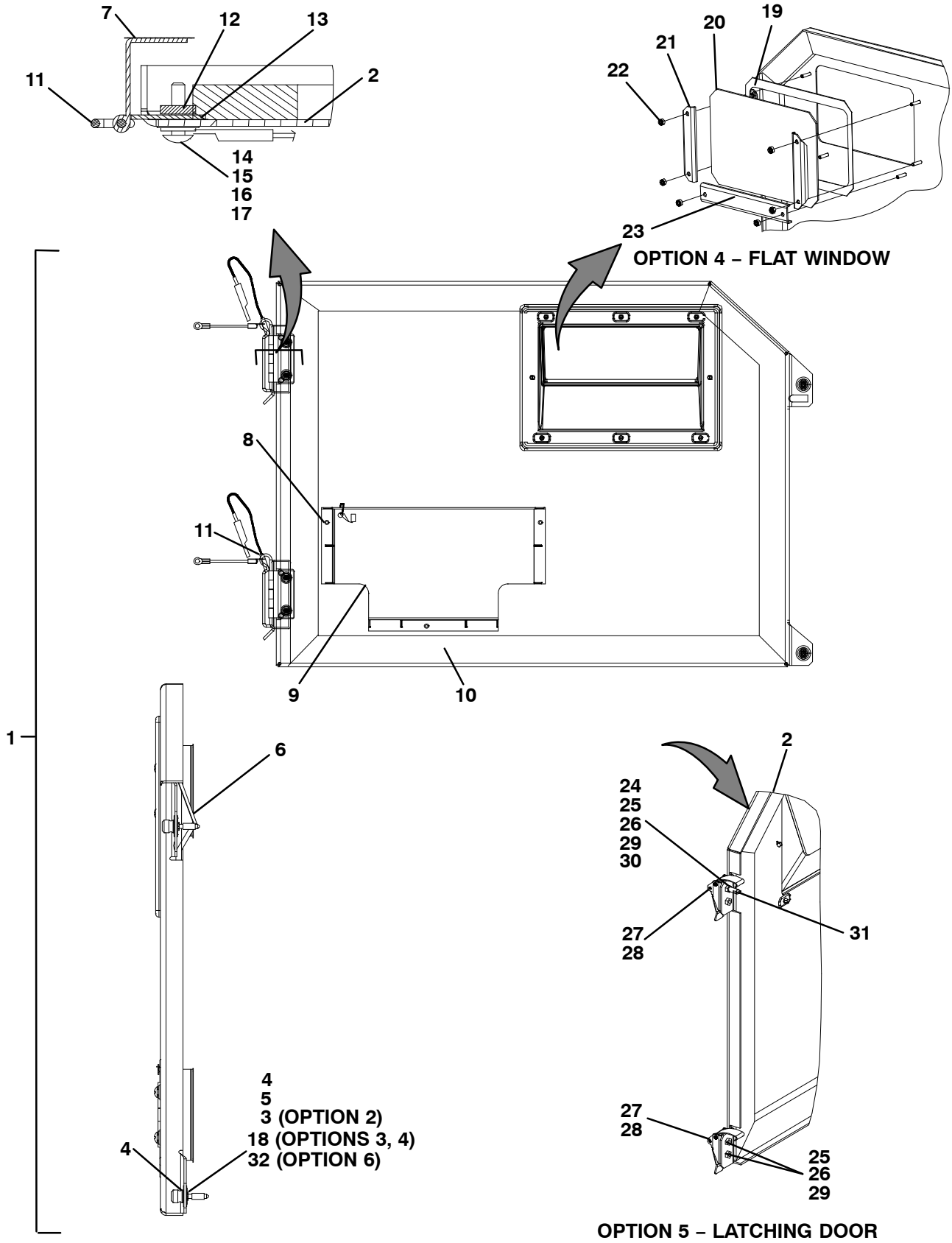
<b>1.9 USDA (Continued)</b>			
<b>Item</b>	<b>Part Number</b>	<b>Description</b>	<b>Qty</b>
<b>OPTION D</b>			
1	Receptacle (PR1, PR2, PR3, Cargo Probe 4) (3-Pin) (Refer to Section 1.48, Option D)		
2	69NT35-636-1	Tether Assembly	5
3	22-01660-02	Cap, Dust, (3-Pin Receptacle)	4
4	66U1-5371-7	Screw, Machine, Hex Head, #10-24 X 0.500 Slotted	7
5	68-14444-00	Panel Assembly, 0.063 Thick Aluminum	1
6	22-01660-05	Cap, Dust (5-Pin Receptacle)	1
7	34-06142-00	Rivet, 0.110 Inch Diameter, 0.126-0.250	25
8	22-02205-00	Connector Splice, Non-Insulated	5
9	68-15343-00	Channel Assembly	1
10	62-11275-00	Label, USDA Cold Treatment Certified	1
11	62-11274-00	Label, USDA	1
NS	66U1-3882	Wire Tie, 1/16-1-3/4, Self-Locking	4
<b>OPTION V</b>			
1	Receptacle (PR1, PR2, PR3, Cargo Probe 4) (3-Pin) (Refer to Section 1.48, Option V)		
2	69NT35-636-1	Tether Assembly	5
3	22-01660-02	Cap, Dust, 3-Pin Receptacle	4
4	66U1-5371-7	Screw, Machine, Hex Head, #10-24 X 0.500 Slotted	7
5	68-14444-01	Panel Assembly, 0.063 Thick Aluminum	1
6	22-01660-05	Cap, Dust, 5-Pin	1
7	34-06142-00	Rivet, 0.110 Inch Diameter, 0.126-0.250	25
8	22-02205-00	Connector Splice, Non-Insulated	5
9	68-15343-00	Channel Assembly	1
10	62-11275-00	Label, USDA Cold Treatment Certified	1
11	62-11274-00	Label, USDA	1
NS	66U1-3882	Wire Tie, 1/16-1-3/4, Self-Locking	4
<b>OPTION P</b>			
9	68-15343-00	Channel Assembly	1
10	62-11275-00	Label, USDA Cold Treatment Certified	1
12	68-14628-00	Plate	1
13	34-00928-07	Rivet, Blind, 0.156 Inch Diameter	6
NS	66U1-3882	Wire Tie, 1/16-1-3/4, Self-Locking	4

1.9 USDA (Continued)



<b>1.9 USDA (Continued)</b>			
<b>Item</b>	<b>Part Number</b>	<b>Description</b>	<b>Qty</b>
<b>OPTION S – FIELD INSTALLED KITS (FOR UNITS WITH USDA PROVISIONS AND 5+1 HEATER ARRANGEMENT)</b>			
–	76-00676-00	Field-installed Kits for units provisioned for side-mounted USDA – Includes:	–
4	66U1-5371-7	Screw, Machine, Hex Head, #10-24 X 0.500 Slotted	7
10	62-11275-00	Label, USDA Cold Treatment Certified	1
11	62-11274-01	Label, USDA, 5+1 Heater	1
14	79-01879-00	Panel Assembly	1
15	34-00928-09	Rivet, Blind, 0.156 Inch Diameter	10
16	68-14701-00	Plate	1
NS	22-01613-14	Contact Pin #16, Deutsch	13
NS	66U1-3882	Wire Tie, 1/16-1-3/4, Self-Locking	4
<b>USDA PROBE KITS</b>			
<b>OPTION 1</b>			
17	12-50089-00	Sensor Assembly, 600 Inches Long (15M) (USDA Probe) – Includes:	A/R
18	22-50127-00	Plug, Socket (PR1, PR2, PR3, Cargo Probe 4)	1
19	22-01613-15	Contact, Socket, #16 ( <b>Used with 22-50127-00 and 22-01660-04</b> )	A/R
<b>OPTION 2</b>			
17	12-00342-04	Sensor Assembly, <b>Customer Specific</b> , 600 Inches Long (15M) (USDA Probe) – Includes:	A/R
18	22-50127-00	Plug, Socket (PR1, PR2, PR3, Cargo Probe 4)	1
19	22-01613-15	Contact, Socket, #16 ( <b>Used with 22-50127-00 and 22-01660-04</b> )	A/R

**1.10 CONTROL BOX - DOOR**



<b>1.10 CONTROL BOX – DOOR (Continued)</b>			
<b>Item</b>	<b>Part Number</b>	<b>Description</b>	<b>Qty</b>
<b>OPTION 2 – DOOR ASSEMBLY, BLUE, SLOTTED FASTENERS</b>			
1	79-66655-00	Door Assembly, Blue, With Slotted Fasteners – Includes:	
2	86-04461-00	Door, Control Box, Blue	1
3	66U1-6811-8	Screw, Retaining 0.300-0.625, Slotted	2
4	34-06053-00	Washer, 0.250 ID X 0.800 OD	4
5	34-06169-00	Washer, Retaining, 0.185 ID X 0.62 OD	2
6	58-04366-00	Window, Controller Door	1
7	58-04101-01	Protector, 1.00 X 3.62	2
8	34-06107-00	Rivet, Blind, 0.125 Inch Diameter, 0.188-0.250	3
9	58-04389-00	Pocket	1
10	42-00270-02	Gasket, Control Box Door	1
11	44-00300-00	Hinge Assembly with Tethered Pin	2
12	34-01167-01	Nut, Retainer, 10-24 X 1.75	2
13	58-04101-00	Protector 1.00 X 2.63	2
14	66U1-2403-1	Screw, 10-24 X 0.750 Slotted	4
15	34-00663-09	Washer, Lock 10 Spring	4
16	66U1-5321-8	Washer, Plain 10 Type A	4
17	34-06053-05	Washer, 0.205 ID X 0.600 OD	4
<b>OPTION 2 – DOOR ASSEMBLY, BLUE, STAINLESS STEEL SLOTTED FASTENERS</b>			
1	79-66655-08	Door Assembly, Blue, With Stainless Steel Slotted Fasteners – Includes:	
2	86-04461-00	Door, Control Box, Blue	1
3	66U1-6811-8	Screw, Retaining 0.300-0.625, Slotted	2
4	34-06053-00	Washer, 0.250 ID X 0.800 OD	4
5	34-06169-00	Washer, Retaining 0.185 ID X 0.62 OD	2
6	58-04366-00	Window, Controller Door	1
7	58-04101-01	Protector, 1.00 X 3.62	2
8	34-06107-00	Rivet, Blind, 0.125 Inch Diameter, 0.188-0.250	3
9	58-04389-00	Pocket	1
10	42-00270-02	Gasket, Control Box Door	1
11	44-00300-00	Hinge Assembly, With Tethered Pin	2
12	34-01167-01	Nut, Retainer 10-24 X 1.75	2
13	58-04101-00	Protector, 1.00 X 2.63	2
14	34-66629-05	Screw, 10-24 X 0.750 SST	4
15	34-00663-09	Washer, Lock 10, Spring	4
16	34-06212-10	Washer, Plain #10, SST	4
17	34-06053-05	Washer, 0.205 ID X 0.600 OD	4
<b>OPTION 2 – DOOR ASSEMBLY, BLUE, SLOTTED FASTENERS, LOWER LOCKING OPTION</b>			
1	79-66655-10	Door Assembly, Blue, With Slotted Fasteners, Lower Locking – Includes:	
2	86-04461-03	Door, Control Box, Blue	1
3	66U1-6811-8	Screw, Retaining 0.300-0.625, Slotted	2
4	34-06053-00	Washer, 0.250 ID X 0.800 OD	4
5	34-06169-00	Washer, Retaining, 0.185 ID X 0.62 OD	2
6	58-04366-00	Window, Controller Door	1
7	58-04101-01	Protector, 1.00 X 3.62	2
8	34-06107-00	Rivet, Blind, 0.125 Inch Diameter, 0.188-0.250	3
9	58-04389-00	Pocket	1
10	42-00270-02	Gasket, Control Box Door	1
11	44-00300-00	Hinge Assembly with Tethered Pin	2

<b>1.10 CONTROL BOX – DOOR (Continued)</b>			
<b>Item</b>	<b>Part Number</b>	<b>Description</b>	<b>Qty</b>
<b>OPTION 2 – DOOR ASSEMBLY, BLUE, SLOTTED FASTENERS, LOWER LOCKING OPTION (Continued)</b>			
12	34-01167-01	Nut, Retainer, 10-24 X 1.75	2
13	58-04101-00	Protector 1.00 X 2.63	2
14	66U1-2403-1	Screw, 10-24 X 0.750 Slotted	4
15	34-00663-09	Washer, Lock 10 Spring	4
16	66U1-5321-8	Washer, Plain 10 Type A	4
17	34-06053-05	Washer, 0.205 ID X 0.600 OD	4
<b>OPTION 2 – DOOR ASSEMBLY, WHITE, SLOTTED FASTENERS</b>			
1	79-66655-06	Door Assembly, White, With Slotted Fasteners – Includes:	
2	86-04461-20	Door, Control Box, White	1
3	66U1-6811-8	Screw, Retaining 0.300-0.625, Slotted	2
4	34-06053-00	Washer, 0.250 ID X 0.800 OD	4
5	34-06169-00	Washer, Retaining, 0.185 ID X 0.62 OD	2
6	58-04366-00	Window, Controller Door	1
7	58-04101-01	Protector, 1.00 X 3.62	2
8	34-06107-00	Rivet, Blind, 0.125 Inch Diameter, 0.188-0.250	3
9	58-04389-00	Pocket	1
10	42-00270-02	Gasket, Control Box Door	1
11	44-00300-00	Hinge Assembly with Tethered Pin	2
12	34-01167-01	Nut, Retainer, 10-24 X 1.75	2
13	58-04101-00	Protector 1.00 X 2.63	2
14	66U1-2403-1	Screw, 10-24 X 0.750 Slotted	4
15	34-00663-09	Washer, Lock 10 Spring	4
16	66U1-5321-8	Washer, Plain 10 Type A	4
17	34-06053-05	Washer, 0.205 ID X 0.600 OD	4
<b>OPTION 3 – DOOR ASSEMBLY, BLUE, WING FASTENERS</b>			
1	74-66608-02	Door Assembly, Blue, With Wing Fasteners – Includes:	
2	86-04461-00	Door, Control Box	1
4	34-06053-00	Washer, 0.250 ID X 0.800 OD	4
5	34-06169-00	Washer, Retaining 0.185 ID X 0.62 OD	2
6	58-04366-00	Window, Controller Door	1
7	58-04101-01	Protector, 1.00 X 3.62	2
8	34-06107-00	Rivet, Blind, 0.125 Inch Diameter, 0.188-0.250	3
9	58-04389-00	Pocket	1
10	42-00270-02	Gasket, Control Box Door	1
11	44-00300-00	Hinge Assembly With Tethered Pin	2
12	34-01167-01	Nut, Retainer 10-24 X 1.75	2
13	58-04101-00	Protector 1.00 X 2.63	2
14	66U1-2403-1	Screw, 10-24 X 0.750 Slotted	4
15	34-00663-09	Washer, Lock 10 Spring	4
16	66U1-5321-8	Washer, Plain 10 Type A	4
17	34-06053-05	Washer, 0.205 ID X 0.600 OD	4
18	66U1-6811-15	Screw, Retaining 0.300-0.625, Wing	2

<b>1.10 CONTROL BOX – DOOR (Continued)</b>			
<b>Item</b>	<b>Part Number</b>	<b>Description</b>	<b>Qty</b>
<b>OPTION 4 – DOOR ASSEMBLY, BLUE, WING FASTENERS AND FLAT WINDOW</b>			
1	79-66655-03	Door Assembly, Blue, With Wing Fasteners and Flat Window – Includes:	
2	86-04461-01	Door, Control Box	1
4	34-06053-00	Washer, 0.250 ID X 0.800 OD	4
5	34-06169-00	Washer, Retaining, 0.185 ID X 0.62 OD	2
7	58-04101-01	Protector, 1.00 X 3.62	2
8	34-06107-00	Rivet, Blind, 0.125 Inch Diameter, 0.188-0.250	3
9	58-04389-00	Pocket	1
10	42-00270-02	Gasket, Control Box Door	1
11	44-00300-00	Hinge Assembly with Tethered Pin	2
12	34-01167-01	Nut, Retainer 10-24 X 1.75	2
13	58-04101-00	Protector 1.00 X 2.63	2
14	66U1-2403-1	Screw, 10-24 X 0.750 Slotted	4
15	34-00663-09	Washer, Lock 10 Spring	4
16	66U1-5321-8	Washer, Plain 10 Type A	4
17	34-06053-05	Washer, 0.205 ID X 0.600 OD	4
18	66U1-6811-15	Screw, Retaining 0.300-0.625, Wing	2
19	42-00611-00	Foam, Double Coated	1
20	69NT35-5022-6	Window	1
21	68-14817-00	Bracket, Mounting	2
22	34-00795-09	Nut, Self-Locking 10-32	6
23	68-13724-00	Bracket, Mounting	1
<b>OPTION 5 – DOOR ASSEMBLY, BLUE, LATCHES</b>			
1	79-66655-04	Door Assembly, Blue, With Latches – Includes:	
2	86-04461-01	Door, Control Box, Latch	1
6	58-04366-00	Window	1
7	58-04101-00	Protector, 1.00 X 3.62	2
8	34-06107-00	Rivet, Blind, 0.125 Inch Diameter, 0.188-0.250	3
9	58-04389-00	Pocket	1
10	42-00270-02	Gasket, Control Box Door	1
11	44-00300-00	Hinge Assembly with Tethered Pin	2
12	34-01167-01	Nut, Retainer 10-24 X 1.75	2
13	58-04101-00	Protector 1.00 X 2.63	2
14	66U1-2403-1	Screw, 10-24 X 0.750 Slotted	4
15	34-00663-09	Washer, Lock 10 Spring	4
16	66U1-5321-8	Washer, Plain 10 Type A	4
17	34-06053-05	Washer, 0.205 ID X 0.600 OD	4
24	66U1-6651-22	Screw, Machine, Pan Head 8-32 X 3/4	1
25	34-00663-08	Washer, Lock	4
26	66U1-5321-2	Washer, Plain	4
27	58-04026-74	Protector, Latch	2
28	44-66605-00	Latch	2
29	66U1-6651-2	Screw, Machine, Pan Head 8-32 X 1/2	3
30	34-66621-04	Washer, Lock	1
31	48-66611-00	Pin, Guide	1

**1.10 CONTROL BOX – DOOR (Continued)**

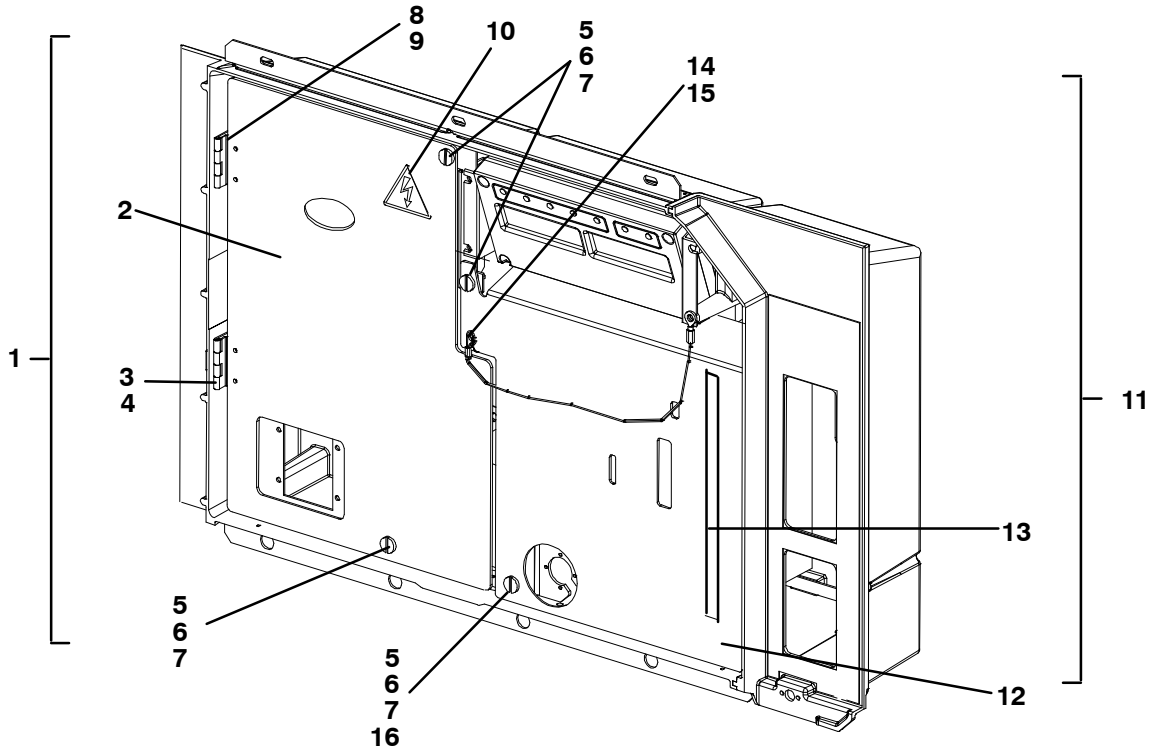
Item	Part Number	Description	Qty
<b>OPTION 6 – DOOR ASSEMBLY, ORANGE, PHILLIPS FASTENERS</b>			
1	79-66655-05	Door Assembly, Orange with Phillips Fasteners – Includes:	
2	86-04461-02	Door, Control Box	1
4	34-06053-00	Washer, 0.250 ID X 0.800 OD	4
5	34-06169-00	Washer, Retaining, 0.185 ID X 0.62 OD	2
6	58-04366-00	Window, Controller Door	1
7	58-04101-01	Protector, 1.00 X 3.62	2
8	34-06107-00	Rivet, Blind, 0.125 Inch Diameter, 0.188-0.250	3
9	58-04389-00	Pocket	1
10	42-00270-02	Gasket, Control Box Door	1
11	44-00300-00	Hinge Assembly with Tethered Pin	2
12	34-01167-01	Nut, Retainer, 10-24 X 1.75	2
13	58-04101-00	Protector, 1.00 X 2.63	2
14	66U1-2403-1	Screw, 10-24 X 0.750 Slotted	4
15	34-00663-09	Washer, Lock 10 Spring	4
16	66U1-5321-8	Washer, Plain 10 Type A	4
17	34-06053-05	Washer, 0.205 ID X 0.600 OD	4
32	66U1-6811-12	Screw, Retaining, 0.300-0.625, Phillips	2
<b>OPTION 6 – DOOR ASSEMBLY, BLUE, PHILLIPS FASTENERS</b>			
1	79-66655-01	Door Assembly, Blue, with Phillips Fasteners – Includes:	
2	86-04461-00	Door, Control Box	1
4	34-06053-00	Washer, 0.250 ID X 0.800 OD	4
5	34-06169-00	Washer, Retaining, 0.185 ID X 0.62 OD	2
6	58-04366-00	Window, Controller Door	1
7	58-04101-01	Protector, 1.00 X 3.62	2
8	34-06107-00	Rivet, Blind, 0.125 Inch Diameter, 0.188-0.250	3
9	58-04389-00	Pocket	1
10	42-00270-02	Gasket, Control Box Door	1
11	44-00300-00	Hinge Assembly with Tethered Pin	2
12	34-01167-01	Nut, Retainer, 10-24 X 1.75	2
13	58-04101-00	Protector 1.00 X 2.63	2
14	66U1-2403-1	Screw, 10-24 X 0.750 Slotted	4
15	34-00663-09	Washer, Lock 10 Spring	4
16	66U1-5321-8	Washer, Plain 10 Type A	4
17	34-06053-05	Washer, 0.205 ID X 0.600 OD	4
32	66U1-6811-12	Screw, Retaining, 0.300-0.625, Phillips	2



**1.10 CONTROL BOX – DOOR (Continued)**

Item	Part Number	Description	Qty
<b>OPTION 6 – DOOR ASSEMBLY, BLUE, STAINLESS STEEL PHILLIPS FASTENERS</b>			
1	79-66655-09	Door Assembly, Blue, with Stainless Steel Phillips Fasteners – Includes:	
2	86-04461-00	Door, Control Box	1
4	34-06053-00	Washer, 0.250 ID X 0.800 OD	4
5	34-06169-00	Washer, Retaining, 0.185 ID X 0.62 OD	2
6	58-04366-00	Window, Controller Door	1
7	58-04101-01	Protector, 1.00 X 3.62	2
8	34-06107-00	Rivet, Blind, 0.125 Inch Diameter, 0.188-0.250	3
9	58-04389-00	Pocket	1
10	42-00270-02	Gasket, Control Box Door	1
11	44-00300-00	Hinge Assembly with Tethered Pin	2
12	34-01167-01	Nut, Retainer, 10-24 X 1.75	2
13	58-04101-00	Protector 1.00 X 2.63	2
14	34-66629-05	Screw, 10-24 X 0.750 Slotted, SST	4
15	34-00663-09	Washer, Lock 10 Spring	4
16	34-06212-10	Washer, Plain 10 Type A, SST	4
17	34-06053-05	Washer, 0.205 ID X 0.600 OD	4
32	66U1-6811-12	Screw, Retaining, 0.300-0.625, Phillips	2
<b>OPTION 6 – DOOR ASSEMBLY, WHITE, PHILLIPS FASTENERS</b>			
1	79-66655-07	Door Assembly, White, With Phillips Fasteners – Includes:	
2	86-04461-20	Door, Control Box	1
4	34-06053-00	Washer, 0.250 ID X 0.800 OD	4
5	34-06169-00	Washer, Retaining, 0.185 ID X 0.62 OD	2
6	58-04366-00	Window, Controller Door	1
7	58-04101-01	Protector, 1.00 X 3.62	2
8	34-06107-00	Rivet, Blind, 0.125 Inch Diameter, 0.188-0.250	3
9	58-04389-00	Pocket	1
10	42-00270-02	Gasket, Control Box Door	1
11	44-00300-00	Hinge Assembly with Tethered Pin	2
12	34-01167-01	Nut, Retainer, 10-24 X 1.75	2
13	58-04101-00	Protector 1.00 X 2.63	2
14	66U1-2403-1	Screw, 10-24 X 0.750 Slotted	4
15	34-00663-09	Washer, Lock 10 Spring	4
16	66U1-5321-8	Washer, Plain 10 Type A	4
17	34-06053-05	Washer, 0.205 ID X 0.600 OD	4
32	66U1-6811-12	Screw, Retaining, 0.300-0.625, Phillips	2

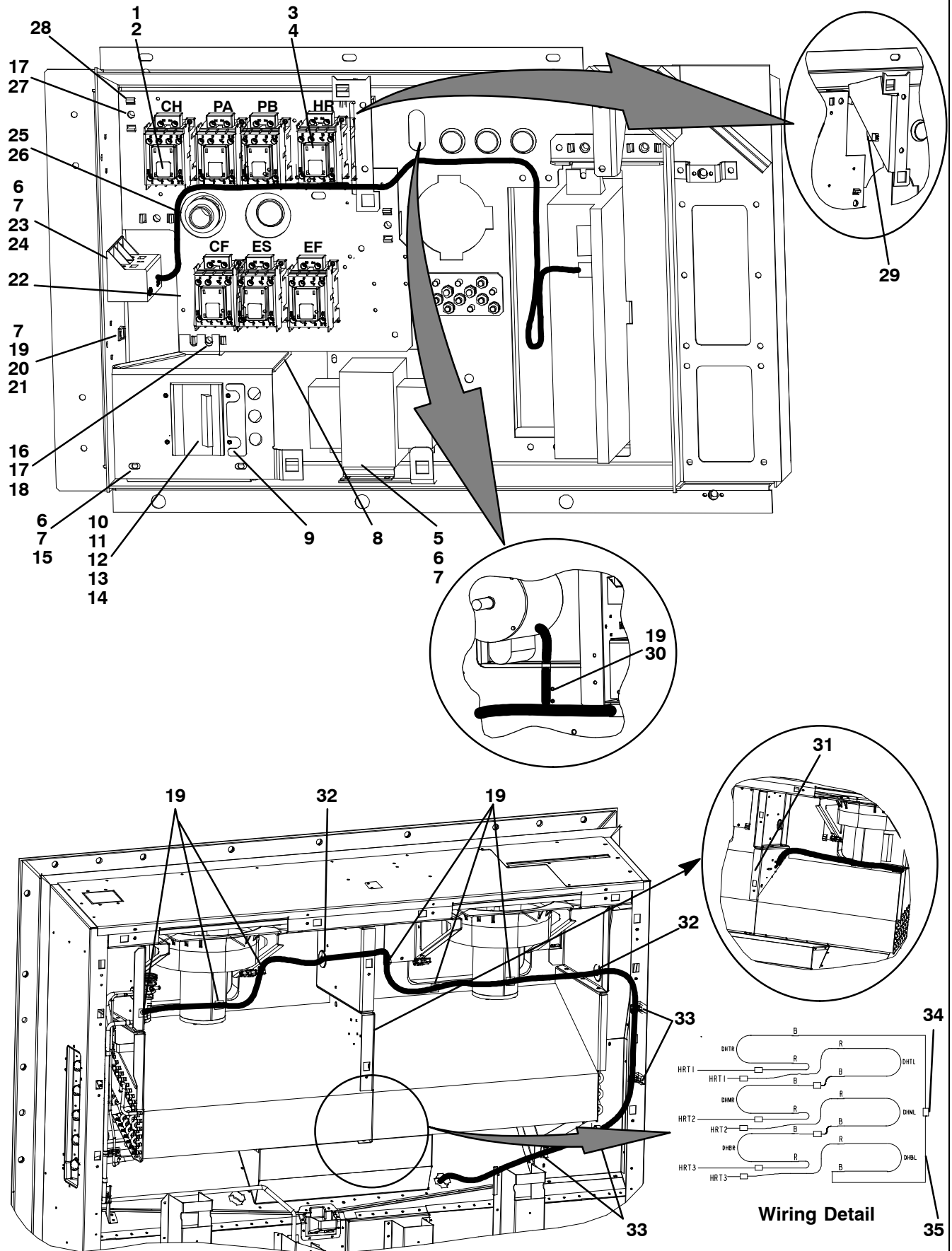
1.11 CONTROL BOX - SHIELD



**1.11 CONTROL BOX – SHIELD (Continued)**

<b>Item</b>	<b>Part Number</b>	<b>Description</b>	<b>Qty</b>
<b>OPTION 1 – HIGH VOLTAGE SHIELD</b>			
1	69NT43-125-1	Shield, High Voltage – Includes:	
2	NSS	Panel, High Voltage	1
3	44-00343-00	Hinge	2
4	34-00928-02	Rivet, Blind, 0.125 Inch Diameter, 0.126-0.187	4
5	34-06139-01	Stud, Retaining, 1/4 Inch	2
6	34-06139-00	Retainer, Stud, 1/4 Inch	2
7	34-06139-04	Receptacle, Retaining, 1/4 Inch	2
8	AU27JR131	Washer, Lock	2
9	66U1-2403	Screw, 10-24 X 0.50 Inch	4
10	62-03957-04	Decal, Warning High Voltage	1
<b>OPTION 2 – LOW VOLTAGE SHIELD</b>			
11	69NT43-124-4SV	Shield, Low Voltage – Includes:	
12	NSS	Panel, Low Voltage	1
13	34-06152-00	Fastener, Hook and Lock	1
14	66U1-3882	Wire Tie, 1/16-1-3/4, Self-Locking	2
15	69NT35-636-2	Tether Assembly, 16 Inches Long	1
5	34-06139-01	Stud 1/4, Retaining	4
6	34-06139-00	Retainer 1/4 Inch, Stud	4
7	34-06139-04	Receptacle, 1/4 Inch, Retaining	2
16	69NT35-9952	Angle	1

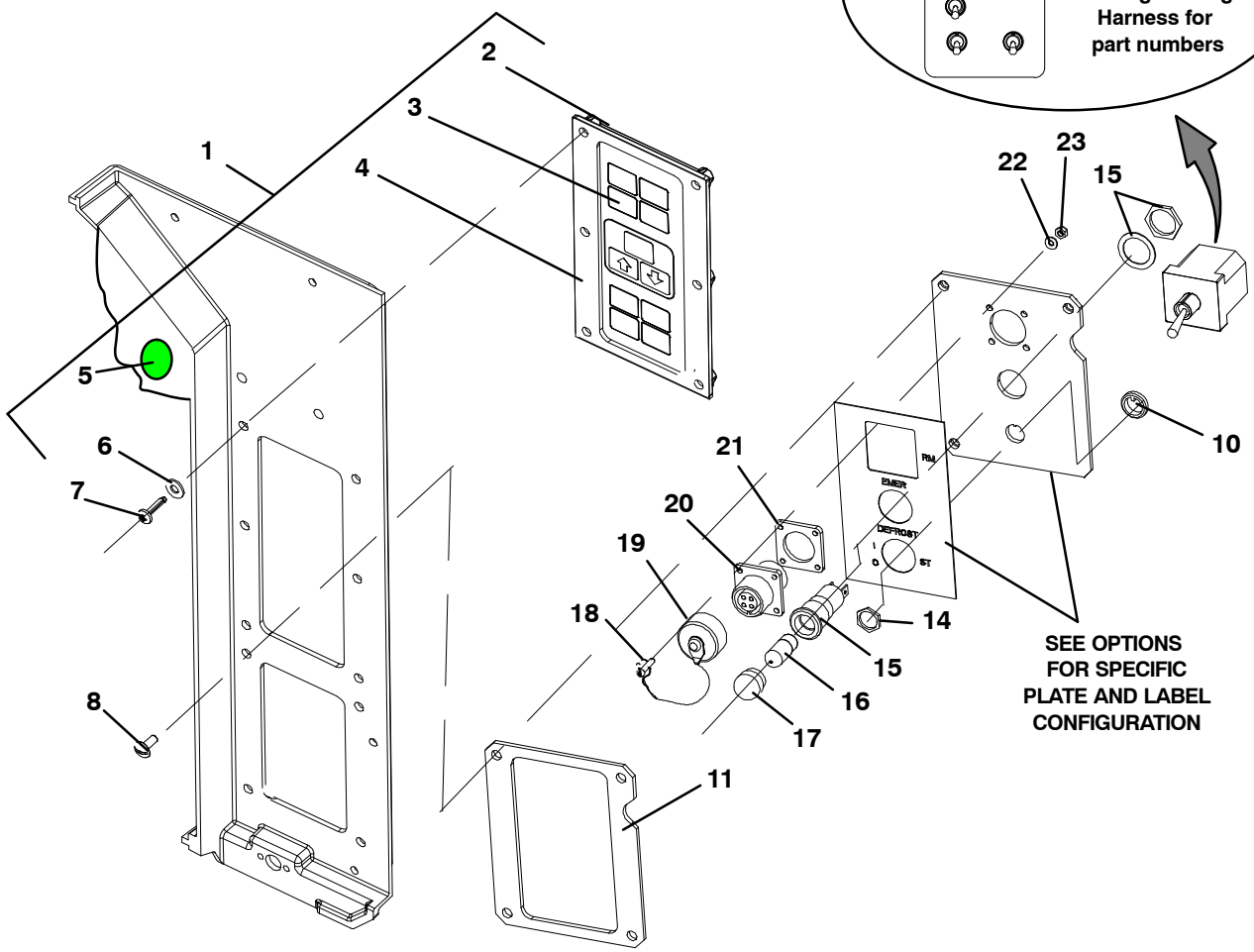
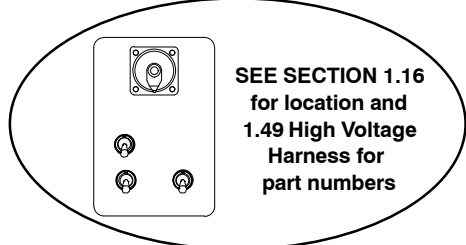
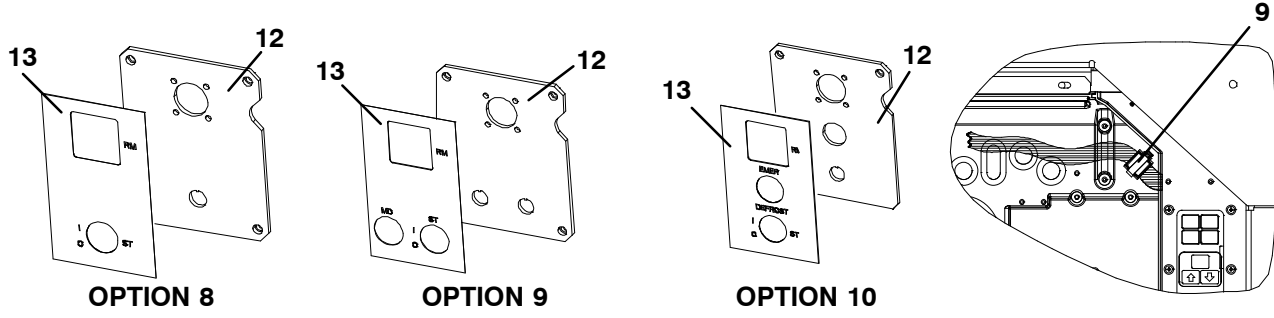
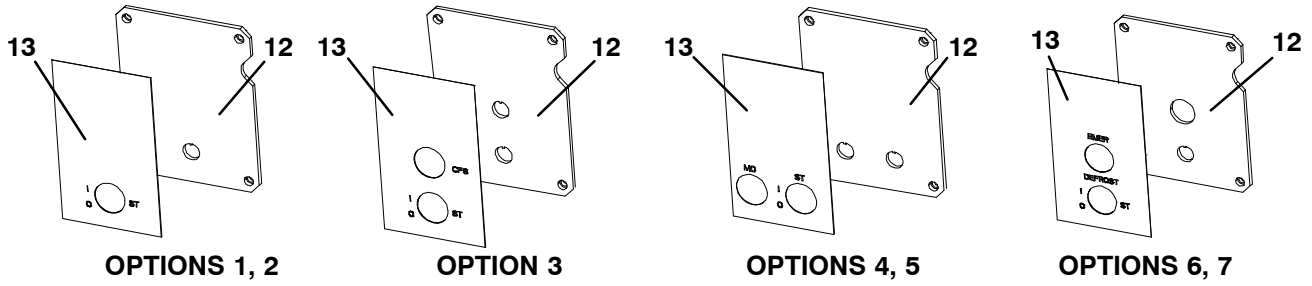
# 1.12 CONTROL BOX - WIRING



**1.12 CONTROL BOX – WIRING (Continued)**

<b>Item</b>	<b>Part Number</b>	<b>Description</b>	<b>Qty</b>
1	62-11277-00	Label, Contactor Cover	2
2	10-00431-07	Contactors, 30 Amp <b>(CH, PA, PB)</b>	A/R
3	10-00431-06	Contactors, 12 Amp <b>(HR, CF, EF, ES, E1, E2, S1, S2)</b>	A/R
4	10-00431-08	Cover, Contactor	2
5	10-00332-21SV	Transformer Base Unit	1
6	66U1-5321-8	Washer, Plain 10, Type A	10
7	66U1-5371-7	Screw, Machine, Hex Head, #10-24 X 0.500, Slotted	11
8	66CH1-1172-52	Trim, Flexible, 4.00 Inches Long	2
9	69NT35-9073-1	Label, CB1, 0.81 X 3.19	1
10	66U1-7842-13	Circuit Breaker, 3 Pole, 600 Volt	1
11	66U1-6651-19	Screw, Machine, Pinhead, #6-32 X 0.437 Slotted	4
12	34-00663-07	Washer, Lock #6 Spring	4
13	66U1-7842-6	Nut, Hex, 10-32, Circuit Breaker	6
14	66U1-7842-7	Washer, Flat, #10-32	12
15	69NT35-6278	Bracket, 0.080 Thick Aluminum, Plated	1
16	34-00655-10	Screw, Cap, Hex Head, 1/4-20 X 1.25	1
17	66U1-5321-7	Washer, Plain, 1/4 W, Type A	5
18	34-06053-13	Washer, Retaining, 0.19 ID X 0.80 OD (0.250)	1
19	66U1-3882	Wire Tie, 1/16-1-3/4, Self-Locking	52
20	34-00663-09	Washer, Lock, #10, Spring	1
21	58-04246-00	Ty-Rap Base, #10, Mounting Tab	1
22	68-14891-01	Panel	1
23	10-00439-01	Transformer, Current Sensor – Includes:	1
24	10-00439-01	Connector <b>(MC)</b>	1
25	66U1-1251-2	O-Ring, 3/4, Hub Sealing	1
26	66U1-7352-3	Connector, Straight, Watertight	1
27	34-00655-08	Screw, Cap, Hex Head, 1/4-20 X 1.00	4
28	58-00967-00	Spacer, Locking (Subpanel)	5
29	58-04316-00	Base, Mounting, 0.250 Inch Diameter Mounting Hole	4
30	58-00848-23	Tube, Slit, 1/2 ID X 25 Feet Long	1
31	34-01178-22	Screw, Hex Head, #8-32 X 1/2 Inch Long, SST	1
32	58-04273-00	Grommet Split, 0.69 X 1.88 X 0.12	2
33	44-00361-00	Clip, Retaining, 0.88-1.00, Wire Mounting	7
34	66U1-3803	Tube, Heat Shrink, 0.25 X 2.12, Black	10
35	22-01292-02	Butt Splice, 16-14 Gage, Non-Insulated	9
NS	58-04315-00	Base, Mounting, 0.250 Inch Diameter Mounting Hole	4

**1.13 CONTROL BOX – RMU RECEPTACLE, SWITCH PANEL, NO RMU, INTERNAL VIEWS**



**1.13 CONTROL BOX – RMU RECEPTACLE, SWITCH PANEL, NO RMU, INTERNAL VIEWS (Continued)**

Item	Part Number	Description	Qty
<b>STANDARD PARTS INCLUDED IN OPTIONS</b>			
1	79-66669-00	Key Pad Assembly – Includes:	1
2	NSS	Plate, Backup Keypad, Composite Box	1
3	NSS	Key Pad, Core Micro	1
4	NSS	Gasket Keypad, 0.125 Thick	1
5	NSS	Dot, Indicator (Green) – See NOTE	1
6	34-06212-10	Washer, Plain #10 Type A	6
7	34-66630-00	Screw, Pinhead #10-9 X 0.75 Long	6
8	34-66629-05	Screw, Machined Thread #10-24 X 0.750 Slotted	4
9	44-00391-00	Clamp	1
10	66U1-9752	Seal 0.427/0.432, Bushing	2
11	42-00608-00	Gasket Switch Plate	1
<b>OPTION 1 – NO REMOTE MONITORING, START SWITCH PLATE</b>			
<b>See Previous Section for Standard Parts and use with Items Below:</b>			
12	68-14796-00	Plate, Switch	1
13	62-10914-00	Switch Label, ST	1
14	10-01129-20	Nut, Hex 15/32-32 Un-2B	2
<b>OPTION 2 – NO REMOTE MONITORING, START WITH BOOT SWITCH PLATE</b>			
<b>See Previous Section for Standard Parts and use with Items Below:</b>			
12	68-14796-00	Plate, Switch ST	1
13	62-10914-00	Switch Label, ST	1
14	66U2-1081	Boot Toggle Switch	1
<b>OPTION 3 – NO REMOTE MONITORING, COMPRESSOR FAN SWITCH PLATE</b>			
<b>See Previous Section for Standard Parts and use with Items Below:</b>			
12	68-14796-01	Plate, Switch ST, Compressor Fan Switch	1
13	62-10914-01	Switch Label, ST, CFS	1
14	10-01129-20	Nut, Hex 15/32-32 Un-2B	2
<b>OPTION 4 – NO REMOTE MONITORING, MANUAL DEFROST SWITCH PLATE</b>			
<b>See Previous Section for Standard Parts and use with Items Below:</b>			
12	68-14796-05	Plate, Switch ST, Manual Defrost	1
13	62-10914-05	Switch Label, ST, MD	1
14	10-01129-20	Nut, Hex 15/32-32 Un-2B	2
<b>OPTION 5 – NO REMOTE MONITORING, MANUAL DEFROST WITH BOOT SWITCH PLATE</b>			
<b>See Previous Section for Standard Parts and use with Items Below:</b>			
12	68-14796-05	Plate, Switch ST, Manual Defrost	1
13	62-10914-05	Switch Label, ST, MD	1
14	66U2-1081	Boot Toggle Switch	2
<b>OPTION 6 – NO REMOTE MONITORING, AMBER DEFROST LIGHT</b>			
<b>See Previous Section for Standard Parts and use with Items Below:</b>			
12	68-14796-02	Plate, Switch ST, Defrost Light	1
13	62-10914-02	Switch Label, ST, EMER, DEFROST	1
14	10-01129-20	Nut, Hex 15/32-32 Un-2B	1
15	22-00518-01	Base Pilot Light	1
16	22-00049-01	Lamp, Incandescent, 24 VDC	1
17	22-00519-03	Jewel Assembly Pilot Light, Amber	1

**NOTE**

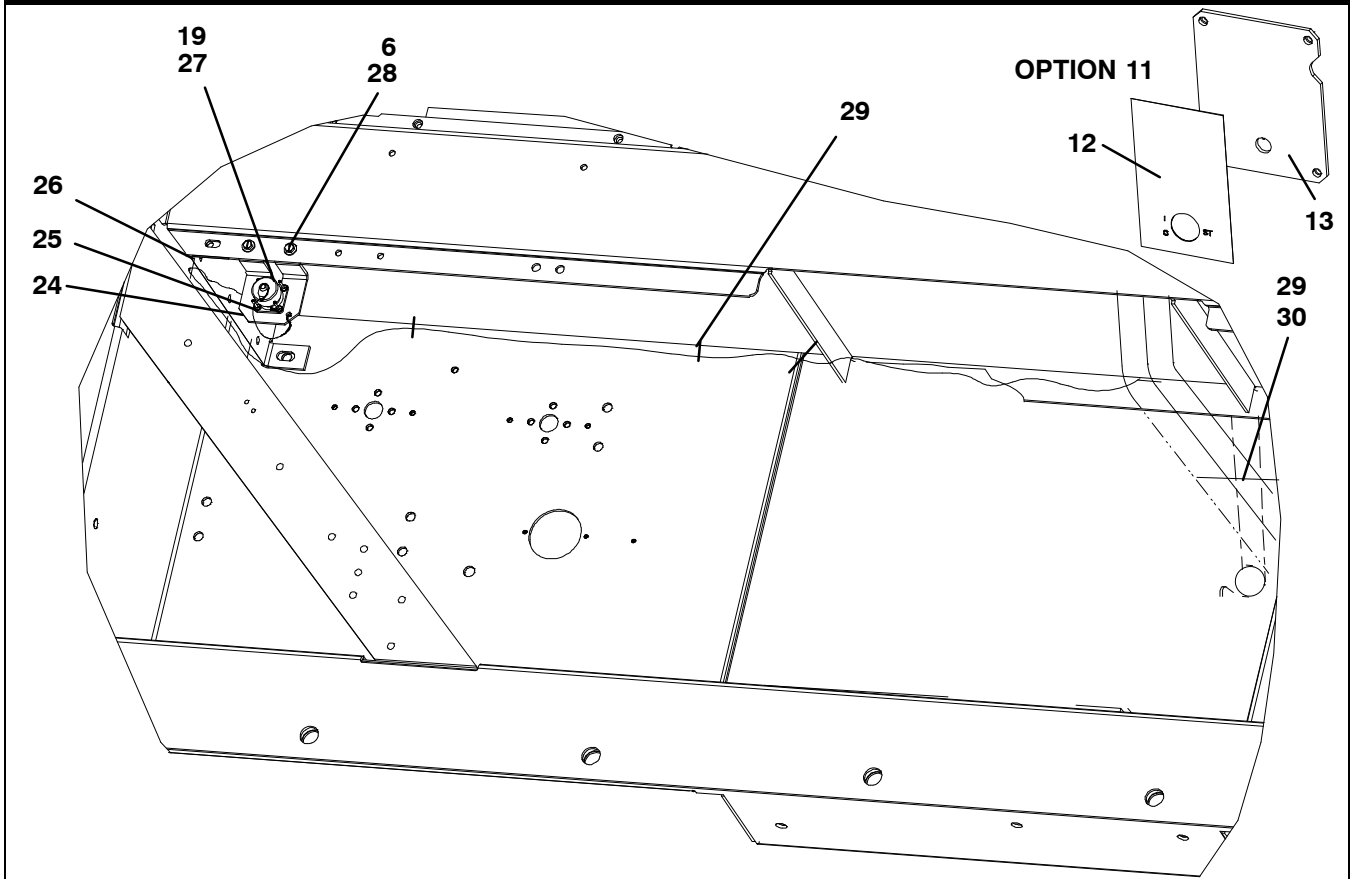
If unit is not fitted with a green indicator dot (see Item 5) on upper right corner of the control box door, install dot as illustrated.

**1.13 CONTROL BOX – RMU RECEPTACLE, SWITCH PANEL, NO RMU, INTERNAL VIEWS (Continued)**

Item	Part Number	Description	Qty
<b>OPTION 7 – NO RM, RED DEFROST LIGHT</b>			
<b>See Previous Page for Standard Parts and use with Items Below:</b>			
12	68-14796-02	Plate, Switch ST, Defrost Light	1
13	62-10914-02	Switch Label, ST, EMER, DEFROST	1
14	10-01129-20	Nut, Hex 15/32-32 Un-2B	1
15	22-00518-01	Base Pilot Light	1
16	22-00049-01	Lamp, Incandescent, 24 VDC	1
17	22-00519-01	Jewel Assembly Pilot Light, Red	1
<b>OPTION 8 – WITH REMOTE MONITORING, INTERNAL</b>			
<b>See Previous Page for Standard Parts and use with Items Below:</b>			
12	68-14796-03	Plate, Switch ST, Remote Monitoring	1
13	62-10914-03	Switch Label, ST, RM	1
14	10-01129-20	Nut, Hex 15/32-32 Un-2B	1
18	34-00848-10	Screw, Machined Roundhead #4-40 X 0.625	4
19	22-02341-01	Cap and Tether Receptacle Assembly	1
20	22-01604-00	Receptacle, 4 Connections	1
21	MS510074	Gasket	1
22	66U1-5321-6	Washer, Plain 0.125 ID Type A	4
23	34-00667-05	Nut, Self Lock 4-40	4
<b>OPTION 9 – WITH REMOTE MONITORING AND MD SWITCH, INTERNAL</b>			
<b>See Previous Page for Standard Parts and use with Items Below:</b>			
12	68-14796-06	Plate, Switch ST, RM, MD	1
13	62-10914-06	Switch Label, ST, RM, MD	1
14	10-01129-20	Nut, Hex 15/32-32 Un-2B	1
18	34-00848-10	Screw, Machined Roundhead #4-40 X 0.625	4
19	22-02341-01	Cap and Tether Receptacle Assembly	1
20	22-01604-00	Receptacle 4 Connections	1
21	MS510074	Gasket	1
22	66U1-5321-6	Washer, Plain 0.125 ID Type A	4
23	34-00667-05	Nut, Self Lock 4-40	4
<b>OPTION 10 – WITH REMOTE MONITORING AND AMBER DEFROST LIGHT, INTERNAL</b>			
<b>See Previous Page for Standard Parts and use with Items Below:</b>			
12	68-14796-04	Plate, Switch ST, RM, EB, DL	1
13	62-10914-04	Switch Label, ST, RM, EMER, DEFROST	1
14	10-01129-20	Nut, Hex 15/32-32 Un-2B	1
15	22-00518-01	Base Pilot Light	1
16	22-00049-01	Lamp Incandescent, 24 VDC	1
17	22-00519-03	Jewel Assembly Pilot Light Amber	1
18	34-00848-10	Screw, Machined Roundhead #4-40 X 0.625	4
19	22-02341-01	Cap and Tether Receptacle Assembly	1
20	22-01604-00	Receptacle 4 Connections	1
21	MS510074	Gasket	1
22	66U1-5321-6	Washer, Plain 0.125 ID Type A	4
23	34-00667-05	Nut, Self Lock 4-40	4



**1.14 CONTROL BOX – RMU RECEPTACLE AND SWITCH PANEL, EXTERNAL VIEW**



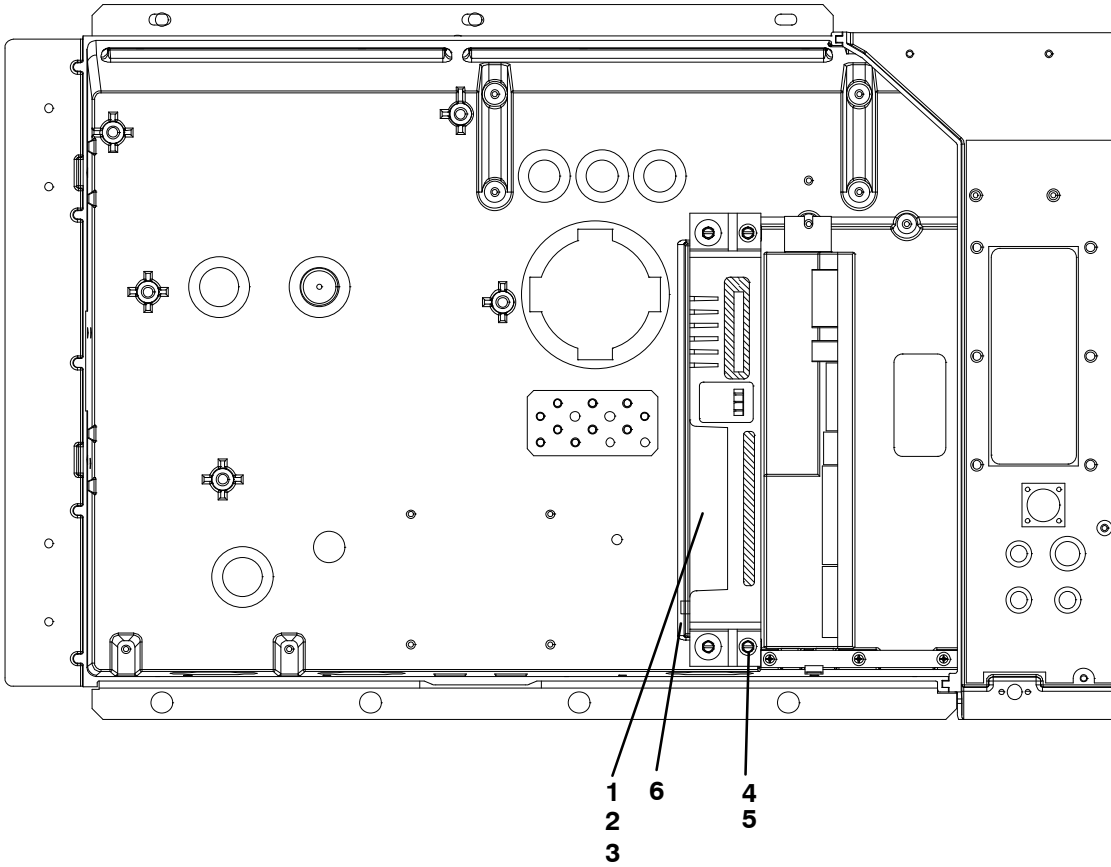
**OPTION 11 – WITH REMOTE MONITORING, EXTERNAL**

Item	Part Number	Description	Qty
2	58-04456-00	Plate, Backup Keypad, Comp Box (See NOTE)	1
3	12-00290-04	Key Pad, Core Micro (See NOTE)	1
4	42-00271-00	Gasket Keypad, 0.125 Thick (See NOTE)	1
6	34-06212-10	Washer, Plain #10 Type A	6
7	34-66630-00	Screw, Pinhead #10-9 X 0.75 Long (See NOTE)	6
8	34-66629-05	Screw, Machined Thread #10-24 X 0.750 Slotted (See NOTE)	4
9	44-00391-00	Clamp (See NOTE)	1
10	66U1-9752	Seal 0.427/0.432, Bushing (See NOTE)	2
11	42-00608-00	Gasket Switch Plate (See NOTE)	1
12	68-14796-00	Plate, Switch ST	1
13	62-10914-00	Switch Label, ST	1
19	22-02341-01	Cap and Tether Receptacle Assembly	1
24	69NT40-222	Bracket Assembly	1
25	34-00928-03	Rivet, Blind 0.125 Diameter 0.188-0.250	4
26	66U1-3882	Wire Tie, 1/16-1-3/4 Self-locking	4
27	22-02205-00	Connector Splice, Non-Insulated	1
28	66U1-5371-7	Screw, Machined Hex Head #10-24 X 0.500 Slotted	2
29	66U1-3882-3	Wire Tie, 1/16-4.0 Self-locking	2
30	58-04316-00	Base, Mounting 0.250 Diameter Mounting Hole	3

**NOTE**

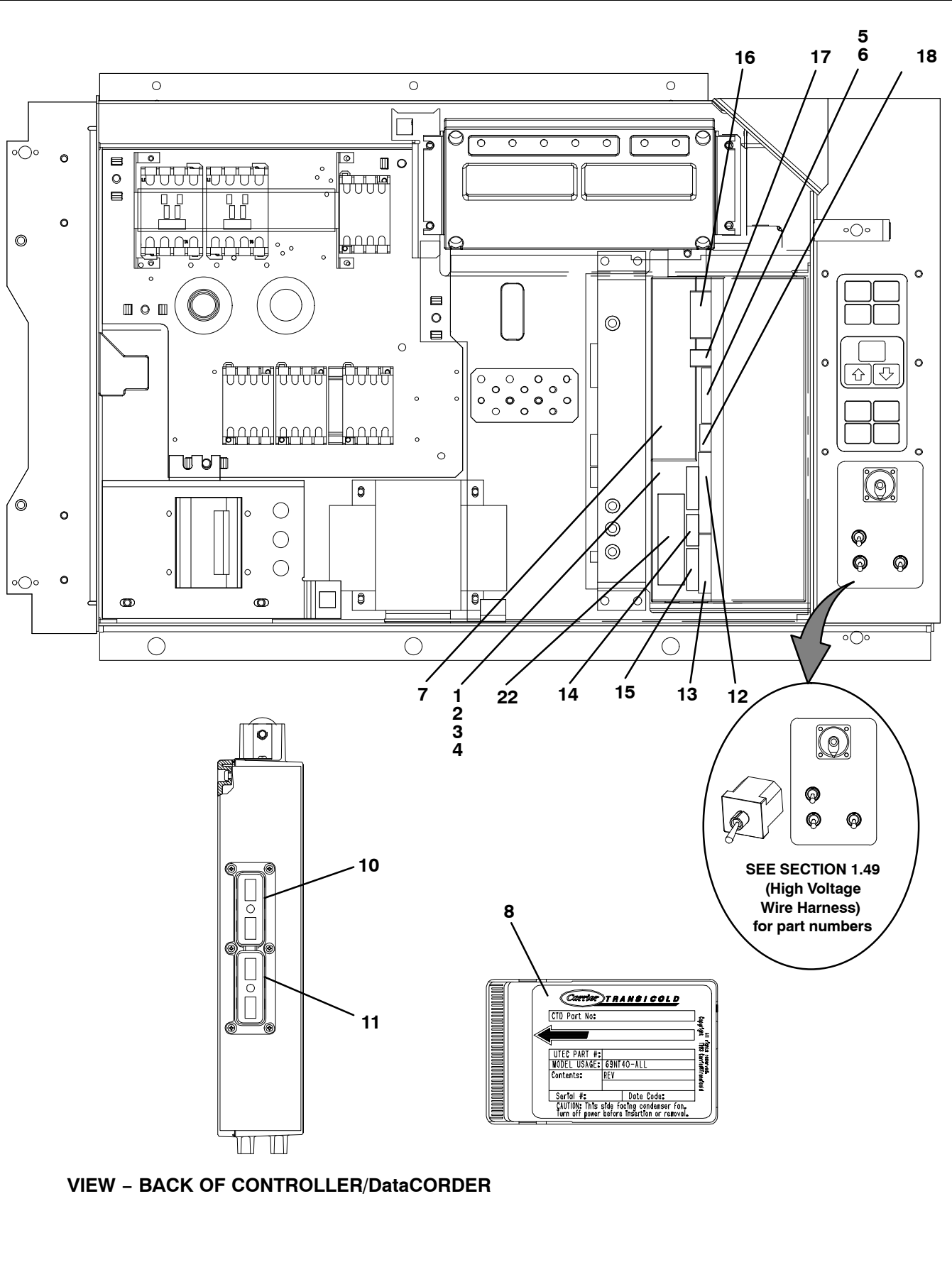
See Section 1.13 (page 36) for Items 2, 3, 4, 7, 8, 9.

1.15 CONTROL BOX – REMOTE MONITORING UNIT (RMU)



<b>1.15 CONTROL BOX – REMOTE MONITORING UNIT (RMU) (Continued)</b>			
<b>Item</b>	<b>Part Number</b>	<b>Description</b>	<b>Qty</b>
<b>OPTION 2 – COMMUNICATIONS INTERFACE MODULE – HIGH DATA RATE</b>			
1	12-00573-03SV	Module, Communications Interface – Includes:	1
2	66U1-3442-2	Stud, Fastener, 1/4 Turn, 0.705 Inches Long, SST	4
3	66U1-9212-1	Retainer, Push-on	4
4	34-06223-00	Screw, Captive Washer, #10-24 X 0.56, SST	2
5	58-01184-01	Retainer, Screw, 0.75 OD	2
6	22-01556-00	Connector (CIA), 7-Pin	1
<b>OPTION 4 – COMMUNICATIONS INTERFACE MODULE – LOW DATA RATE</b>			
1	12-00275-19SV	Module, Communications Interface – Includes:	1
2	66U1-3442-2	Stud, Fastener, 1/4 Turn, 0.705 Inches Long, SST	4
3	66U1-9212-1	Retainer, Push-on	4
4	34-06223-00	Screw, Captive Washer, #10-24 X 0.56, SST	4
5	58-01184-00	Retainer, Screw, 0.75 OD	4
6	22-01556-00	Connector (CIA), 7-Pin	1

**1.16 CONTROL BOX – CONTROLLER MODULE SECTION AND SOFTWARE CARDS**

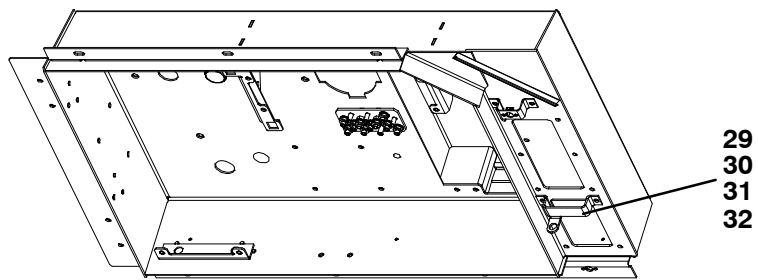
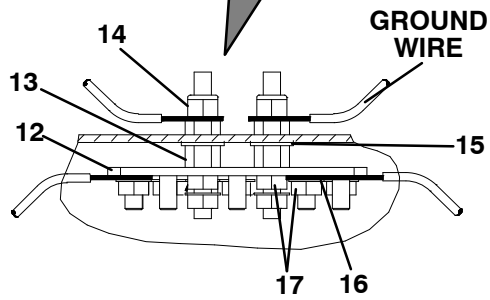
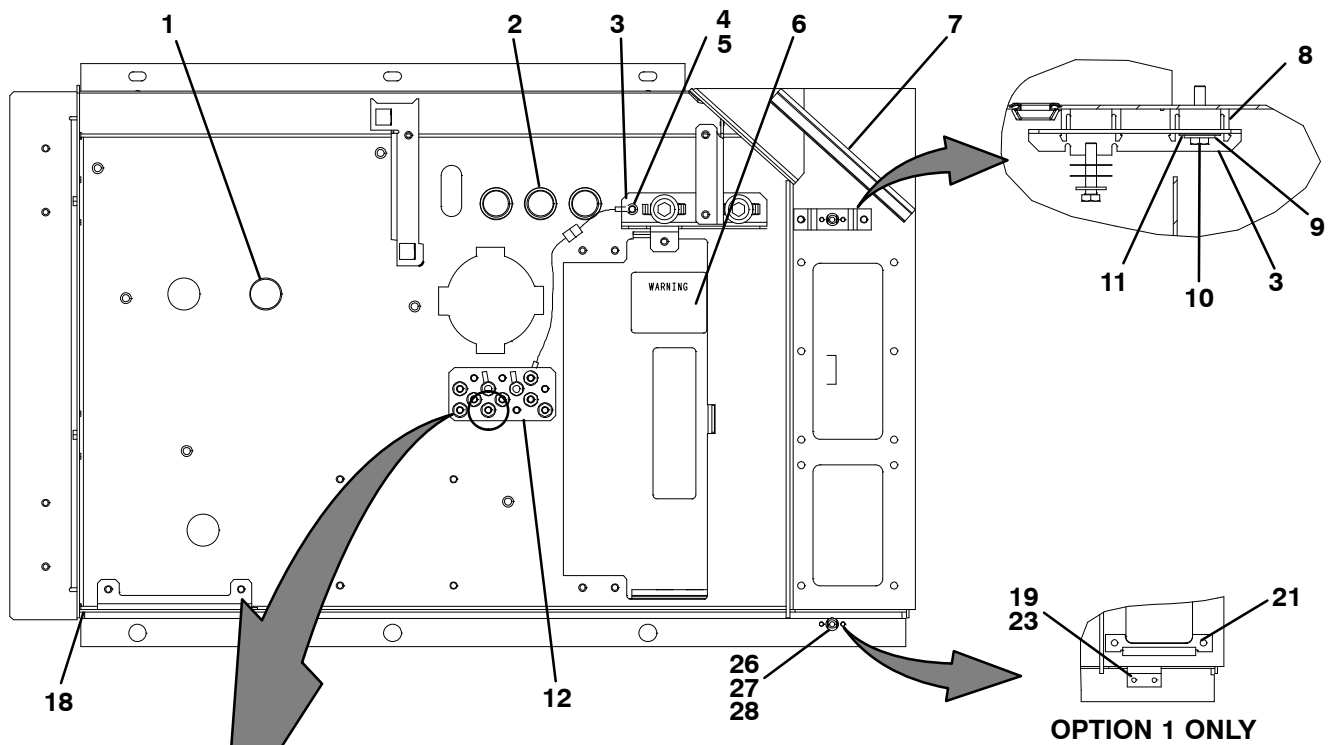


**VIEW – BACK OF CONTROLLER/DataCORDER**

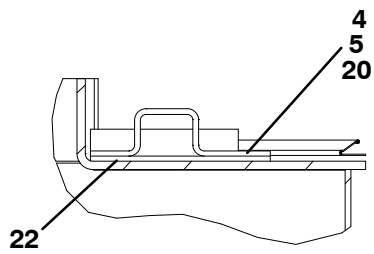
**1.16 CONTROL BOX – CONTROLLER MODULE SECTION AND SOFTWARE CARDS (Continued)**

<b>Item</b>	<b>Part Number</b>	<b>Description</b>	<b>Qty</b>
1	12-55009	Module, Controller/DataCORDER – Includes:	1
2	66U1-5371-7	Screw, Hex Head, #10-24 X 1/2 Inches Long, SST	1
3	69NT35-2692	Washer, Fender, 0.063 Thick, SST	1
4	58-01184-00	Retainer, Screw, 0.141 ID	1
5	22-02336-08	Fuse, 7.5 Amp (F3A and F3B)	3
6	22-02336-02	Fuse, 5 Amp (F1 and F2)	1
7	62-02719-00	Label, Controller/DataCORDER Port	1
8	12-00594	<b>Controller Operation Software Card (Latest version will be supplied)</b>	1
9	12-00615	<b>DataCORDER Operation Software Card (Latest version will be supplied)</b>	1
10	Connector (EC A-K) <b>(Refer to Section 1.48)</b>		
11	Connector (EC L-Y) <b>(Refer to Section 1.48)</b>		
12	Connector (KA) – 14-Pin <b>(Refer to Section 1.49)</b>		
13	Connector (KB) – 10-Pin <b>(Refer to Section 1.49)</b>		
14	Connector (KD) – 4-Pin <b>(Refer to Section 1.49)</b>		
15	Connector (KE) – 5-Pin <b>(Refer to Section 1.48)</b>		
16	Connector (MA) – 12-Pin <b>(Refer to Section 1.49)</b>		
17	Connector (MC) – 8-Pin <b>(Refer to Section 1.12)</b>		
18	Connector (KH) – 6-Pin <b>(Refer to Section 1.48)</b>		
NS	09-00375-00	Battery, Real Time Clock, (Within the Controller)	1
19	10-01129-11	Switch, Toggle ST	2
20	10-01129-11	Switch, Toggle EBS	
21	10-01129-05	Switch, Toggle CFS	1
22	10-01129-12	Switch, (Start/Stop)Toggle ON/OFF	1
<b>OPTION R – RECHARGEABLE BATTERY OPTION</b>			
23	30-00407-02SV	Rechargeable Battery Pack with Connector-Controller/DataCORDER Module	A/R
<b>OPTION S – SECURE RECHARGEABLE BATTERY OPTION</b>			
NOTE	76-50149-00	Rechargeable Battery Pack with Connector-Controller/DataCORDER Module	A/R
<b>NOTE</b>			
Refer to technical manual for battery location.			

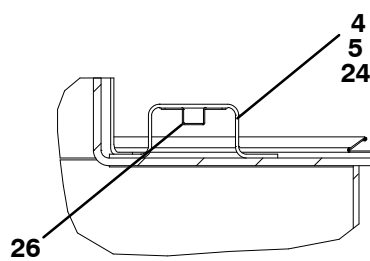
# 1.17 CONTROL BOX PREPARATION



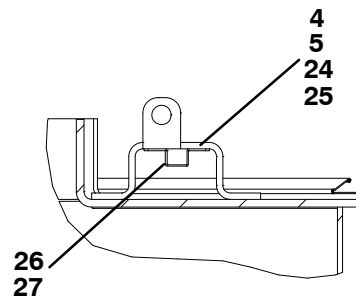
OPTION 3 ONLY



LATCHED DOOR - OPTION 1



STANDARD SCREW FASTENED DOOR AND LOCKING DOOR WITH LOWER BOLT SEAL  
OPTION 2



LOCKING DOOR - OPTION 3

<b>1.17 CONTROL BOX PREPARATION (Continued)</b>			
<b>Item</b>	<b>Part Number</b>	<b>Description</b>	<b>Qty</b>
<b>STANDARD PARTS INCLUDED IN OPTIONS</b>			
1	66U1-5562-7	Plug Button, 1.125 Inch Diameter Hole	1
2	58-00701-03	Plug Button, 0.906 Inch Diameter Hole	2
3	68-15270-00	Bracket, 0.090 Thick Aluminum	1
4	66U1-5371-7	Screw, Machine Hex Head #10-24 X 0.500	3
5	66U1-5321-8	Washer, Plain, #10 Type A	3
6	62-10911-00	Label, Warning! ML3 Controller Only!	1
7	66U1-2593-19	Gasket, V Type, 6.38 Inches Long	1
8	58-00967-00	Spacer, Locking (Subpanel)	2
9	66U1-5321-7	Washer, Plain, 1/4 W, Type A	2
10	34-00655-10	Screw, Captive, Hex Head, 1/4-20 X 1.25	2
11	34-06053-03	Washer, 0.250 ID X 1.000 OD	4
12	69NT41-982-3	Strap Assembly Ground, All Populated	1
13	66U1-9592-13	Standoff, 1/4-20 X 0.375 Inches Long	2
14	34-00667-11	Nut, Self-Locking, 1/4-20	2
15	66U1-5321-3	Washer, Plain, 1/4 N, Type A	2
16	AU27JR171	Washer, Lock, 1/4 Ext Tooth	10
17	AT39JA171	Nut, Hex, 1/4-20	10
<b>OPTION 1 - LATCH FASTENER, BLUE BOX (LATCHING DOOR LOCATED IN SECTION 1.10)</b>			
<b>See Previous Section for Standard Parts and use with Items Below:</b>			
18	79-66648-00	Control Box, Blue	1
19	68-66776-01	Bracket, Latch Closure, Blue	1
20	86-66689-00	Stop, Door Latch, Latch Closure, Blue	1
21	68-66773-01	Keeper, Latch Closure	1
22	58-04026-70	Protector, 0.88 X 2.93, Two Holes	1
23	34-00928-02	Rivet, Blind, 0.125 Inch Diameter, 0.126-0.187	2
<b>OPTION 2 - SCREW FASTENERS, BLUE BOX</b>			
<b>See Previous Section for Standard Parts and use with Items Below:</b>			
18	79-66648-00	Control Box, Blue	1
24	69NT35-6272	Bracket, 0.063, Thick Aluminum, Blue	1
25	34-06053-05	Washer, 0.205 ID X 0.600 OD	2
26	34-01142-01	Receptacle, #12, Saddle Type	2
27	34-00928-01	Rivet, Blind, 0.125 Inch Diameter, 0.063-0.125	4
28	58-04026-32	Protector, 0.75 X 1.06 Inches, Mylar	2

**1.17 CONTROL BOX PREPARATION (Continued)**

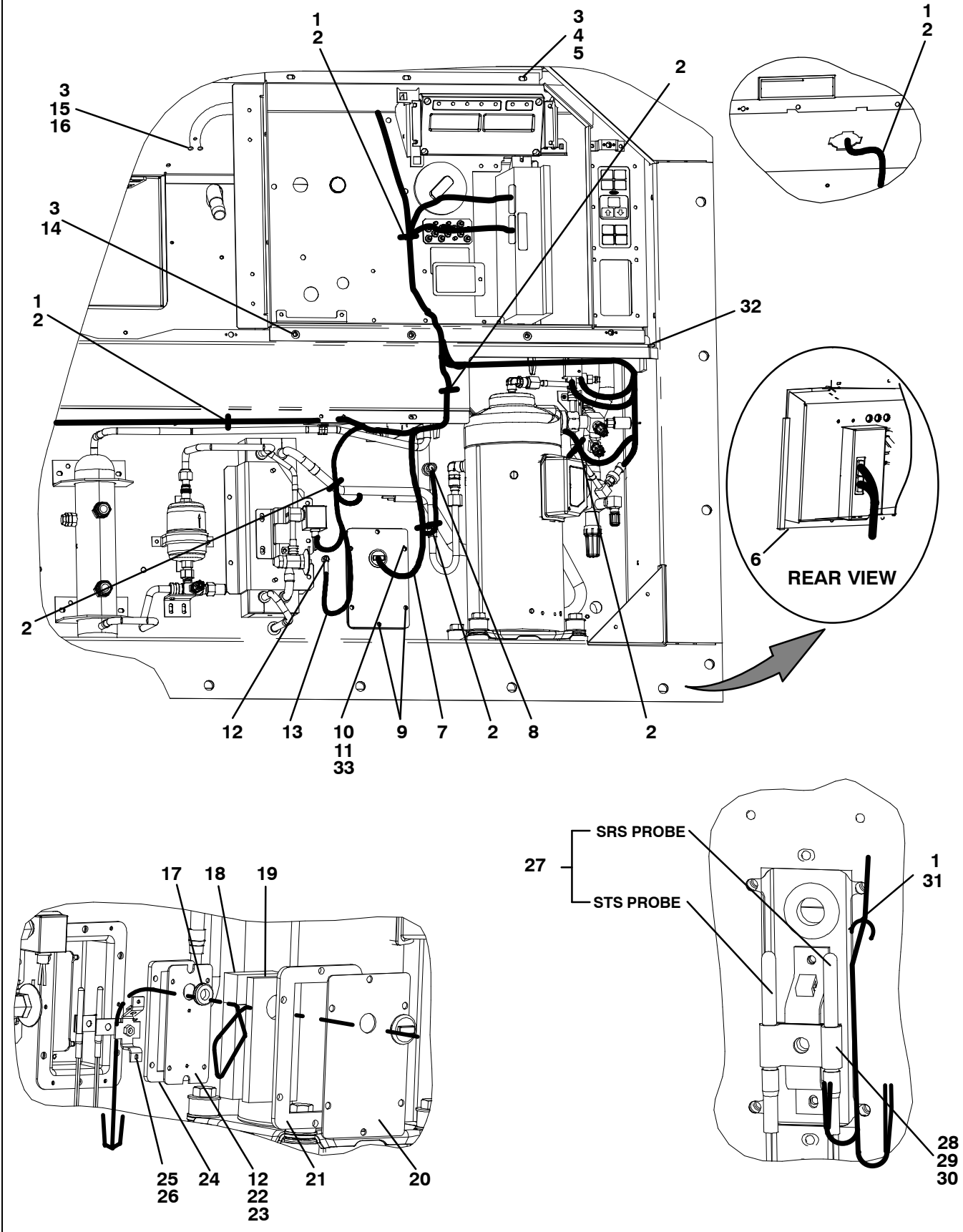
Item	Part Number	Description	Qty
<b>OPTION 2 – SCREW FASTENERS, ORANGE BOX</b>			
<b>See Previous Page for Standard Parts and use with Items Below:</b>			
18	79-66648-01	Control Box, Orange	1
24	69NT35-6272-1	Bracket, 0.063 Thick Aluminum, Orange	1
25	34-06053-05	Washer, 0.205 ID X 0.600 OD	2
26	34-01142-01	Receptacle, #12, Saddle Type	2
27	34-00928-01	Rivet, Blind, 0.125 Inch Diameter, 0.063-0.125	4
28	58-04026-32	Protector, 0.75 X 1.06, Mylar	2
<b>OPTION 2 – SCREW FASTENERS, WHITE BOX</b>			
<b>See Previous Page for Standard Parts and use with Items Below:</b>			
18	79-66648-02	Control Box, White	1
24	69NT35-6272-2	Bracket, 0.063 Thick Aluminum, White	1
25	34-06053-05	Washer, 0.205 ID X 0.600 OD	2
26	34-01142-01	Receptacle, #12, Saddle Type	2
27	34-00928-01	Rivet, Blind, 0.125 Inch Diameter, 0.063-0.125	4
28	58-04026-32	Protector, 0.75 X 1.06, Mylar	2
<b>OPTION 2 – SCREW FASTENER, LOCKING DOOR WITH LOWER BOLT SEAL, BLUE BOX</b>			
<b>See Previous Page for Standard Parts and use with Items Below:</b>			
18	79-66648-00	Control Box, Blue	1
24	69NT35-6272	Bracket, 0.063 Thick Aluminum	1
25	34-06053-05	Washer, 0.205 ID X 0.600 OD	2
26	34-01142-01	Receptacle, #12, Saddle Type	2
27	34-00928-01	Rivet, Blind, 0.125 Inch Diameter, 0.063-0.125	4
28	58-04026-32	Protector, 0.75 X 1.06, Mylar	2
29	68-86061-00	Bracket, Lock Tab	1
30	58-04026-80	Protector, 0.45 X 0.74, Mylar	2
31	34-06212-10	Washer, Plain #10, Type A	2
32	34-66633-09	Washer, Lock #10 Spring	2



**1.17 CONTROL BOX PREPARATION (Continued)**

<b>Item</b>	<b>Part Number</b>	<b>Description</b>	<b>Qty</b>
<b>OPTION 3 – SCREW FASTENER, LOCKING DOOR, BLUE BOX</b>			
<b>See Previous Page for Standard Parts and use with Items Below:</b>			
18	79-66648-00	Control Box, Blue	1
24	69NT35-2287-2	Bracket, 12 Gage, SST	1
25	34-06053-11	Washer, 0.205 ID X 0.922 OD	1
26	34-01142-01	Receptacle, #12, Saddle Type	2
27	34-00928-01	Rivet, Blind, 0.125 Inch Diameter, 0.063-0.125	4
28	58-04026-32	Protector, 0.75 X 1.06, Mylar	2
<b>OPTION 3 – SCREW FASTENER, LOCKING DOOR, BOLT SEAL, BLUE BOX</b>			
<b>See Previous Page for Standard Parts and use with Items Below:</b>			
18	79-66648-00	Control Box, Blue	1
24	69NT35-2287-2	Bracket, 12 Gage, SST	1
25	34-06053-11	Washer, 0.205 ID X 0.922 OD	1
26	34-01142-01	Receptacle, #12, Saddle Type	2
27	34-00928-01	Rivet, Blind, 0.125 Inch Diameter, 0.063-0.125	4
28	58-04026-32	Protector, 0.75 X 1.06, Mylar	2

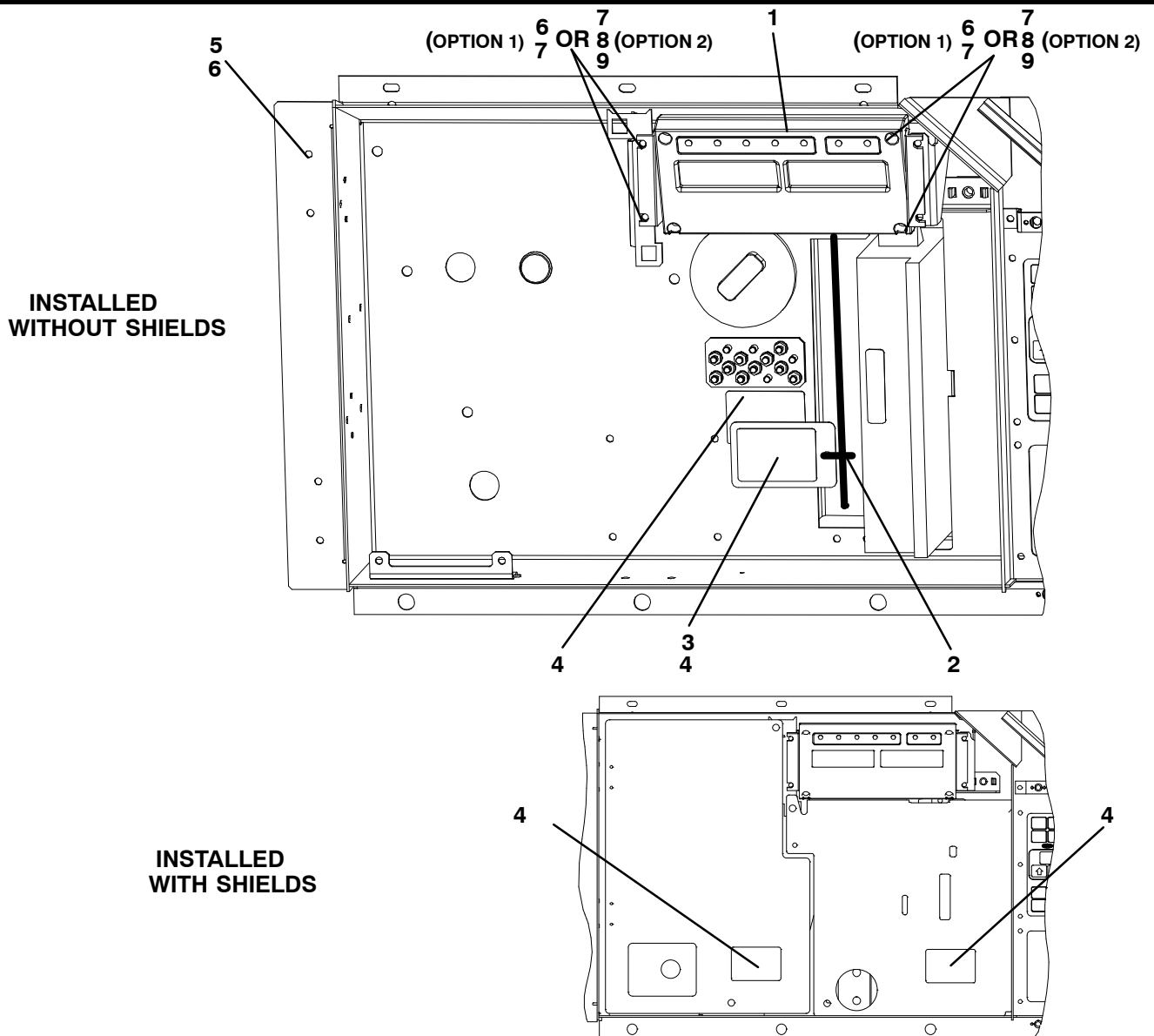
**1.18 CONTROLLER KIT - FACING VIEW**



**1.18 CONTROLLER KIT – FACING VIEW (Continued)**

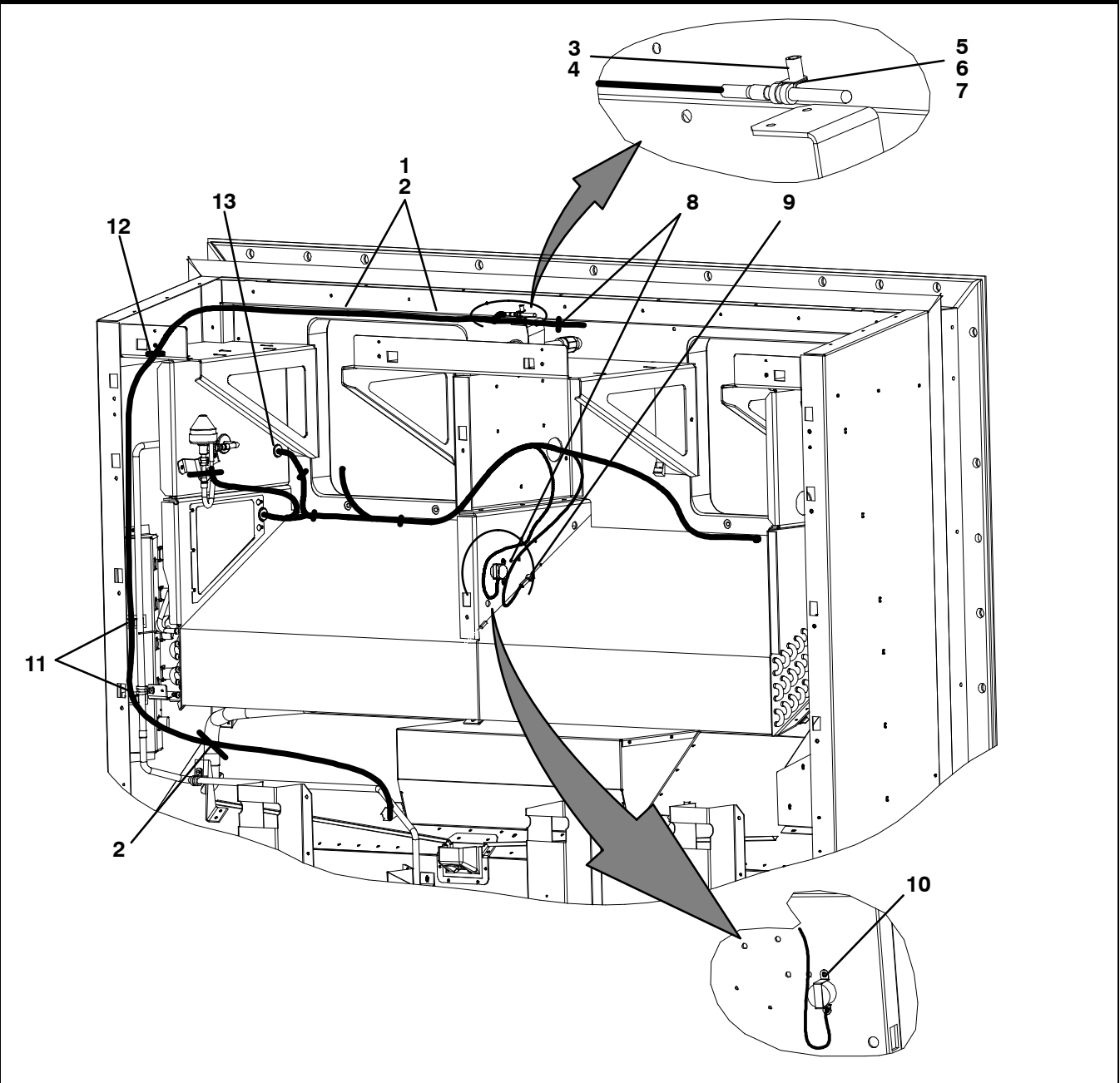
<b>Item</b>	<b>Part Number</b>	<b>Description</b>	<b>Qty</b>
1	58-04316-00	Base, Mounting	5
2	66U1-3882	Wire Tie, 1/16-1-3/4, Self-Locking	A/R
3	66U1-5361-25	Screw, Cap, Hex Head, 1/4-20 X 0.75	8
4	66U1-5321-7	Washer, Plain 1/4, Type A	4
5	34-06053-00	Washer, 0.250 ID X 0.80 OD	3
6	66U1-2552-171	Gasket	1
7	58-00849-20	Tube, Slit, 5/8 ID, 14 Inches Long	1
8	12-00495-02SV	Sensor, Ambient <b>(AMBS)</b>	1
9	34-06154-00	Screw, Cap, Hex Head 1/4-20 X 1	6
10	66U1-5321-3	Washer, Plain, 1/4 Type A	6
11	34-06053-13	Washer, Retaining, 0.19 ID X 0.80 OD (.250)	6
12	66U1-5371-6	Screw, Machine, Hex Head, #10-24 X 0.750	5
13	58-00849-03	Tube, Slit, 5/8 ID X 20 Inches Long	1
14	69NT35-2692-1	Washer, Fender, 1/4	3
15	34-06053-03	Washer, 0.250 ID X 1 Inch OD	3
16	AU27JR171	Washer, Lock, 1/4	2
17	58-00065-82	Grommet	1
18	42-00597-00	Insulation, Sensor Housing	1
19	42-00597-01	Insulation, Sensor Housing	1
20	68-14505-00	Plate	1
21	42-00595-00	Gasket	1
22	68-14506-00	Plate	1
23	34-00662-09	Washer, Plain, #10 Medium	4
24	42-00596-00	Gasket	1
25	68-14550-00	Bracket, Sensor	1
26	34-00928-03	Rivet, Blind	2
27	12-00500-01SV	Sensor Assembly <b>(STS and SRS)</b>	2
28	66U1-5371-14	Screw, Machine, Hex Head, 1/4-20 X 3/4	1
29	44-00423-00	Clamp, Conduit	1
30	58-04610-00	Protector, Probe Bracket	1
31	66U1-3882-3	Wire Tie, 1/16-4, Self-Locking	6
32	66U1-3803	Tube, Heat Shrink 0.25 X 2.12	2
33	34-00655-08	Screw, Cap Hex Head 1/4-20 X 1	4

### 1.19 CONTROLLER KIT - FACING VIEW WITH AND WITHOUT SHIELDS



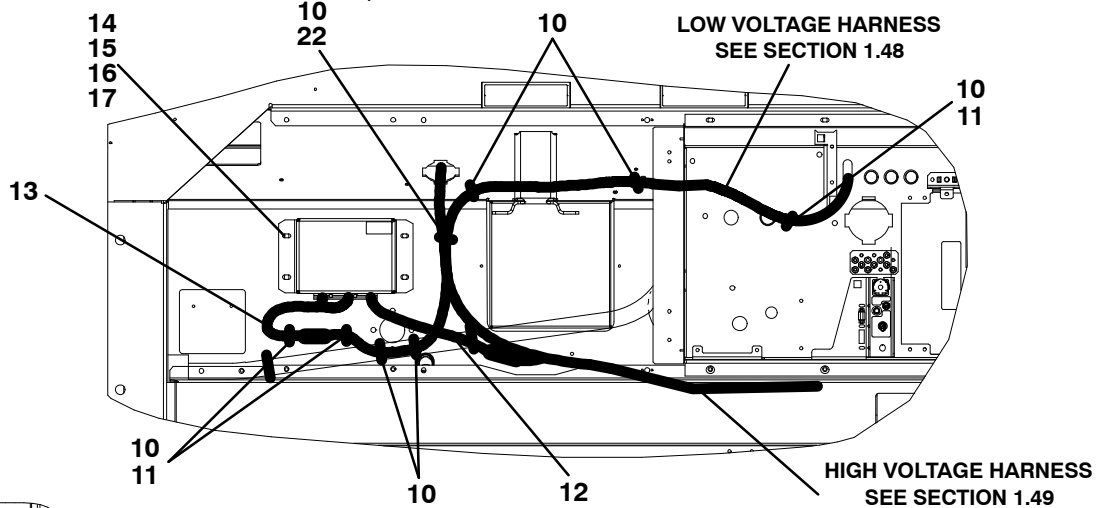
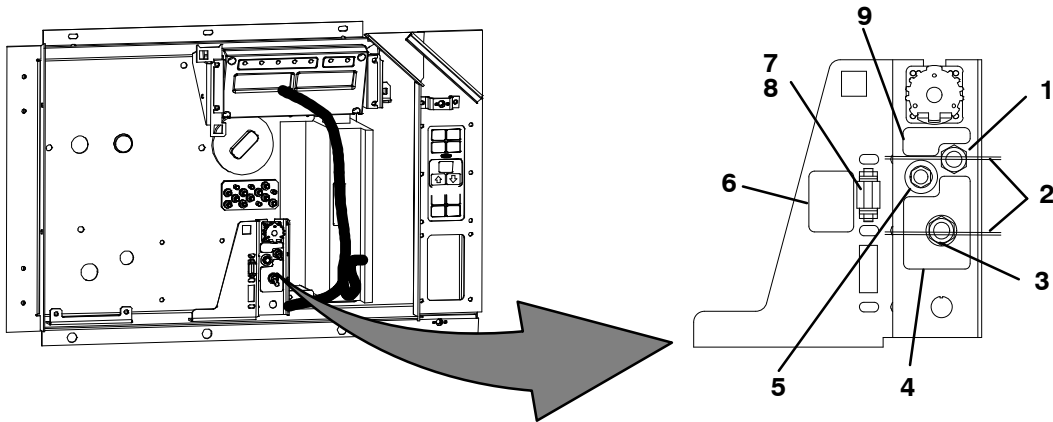
Item	Part Number	Description	Qty
<b>STANDARD PARTS INCLUDED IN OPTIONS</b>			
1	12-00433-03RP	Display Module	1
2	66U1-3882	Wire Tie, 1/16-1-3/4, Self-Locking	A/R
3	62-11114-00	Tag, Controller Software	1
4	62-11270-08	Label, Warning	3
5	66U1-5321-8	Washer, Plain 10 Type A	4
<b>OPTION R - STANDARD CONFIGURATION</b>			
See Previous Section for Standard Parts and use with Items Below:			
6	66U1-5371-7	Screw, Machine, Hex Head, #10-24 X 0.5	9
7	69NT35-2692-4	Washer, Fender, #10	4
<b>OPTION S - UNITS WITH SECURE BATTERY LOCATION</b>			
See Previous Section for Standard Parts and use with Items Below:			
6	66U1-5371-7	Screw, Machine, Hex Head, #10-24 X 0.5	5
7	69NT35-2692-4	Washer, Fender, #10	4
8	34-00663-09	Washer, Lock 10 Spring	4
9	34-06251-00	Screw, Button Head 10-24 X 0.75 Torx-Pin	4

**1.20 CONTROLLER KIT - REAR VIEW**

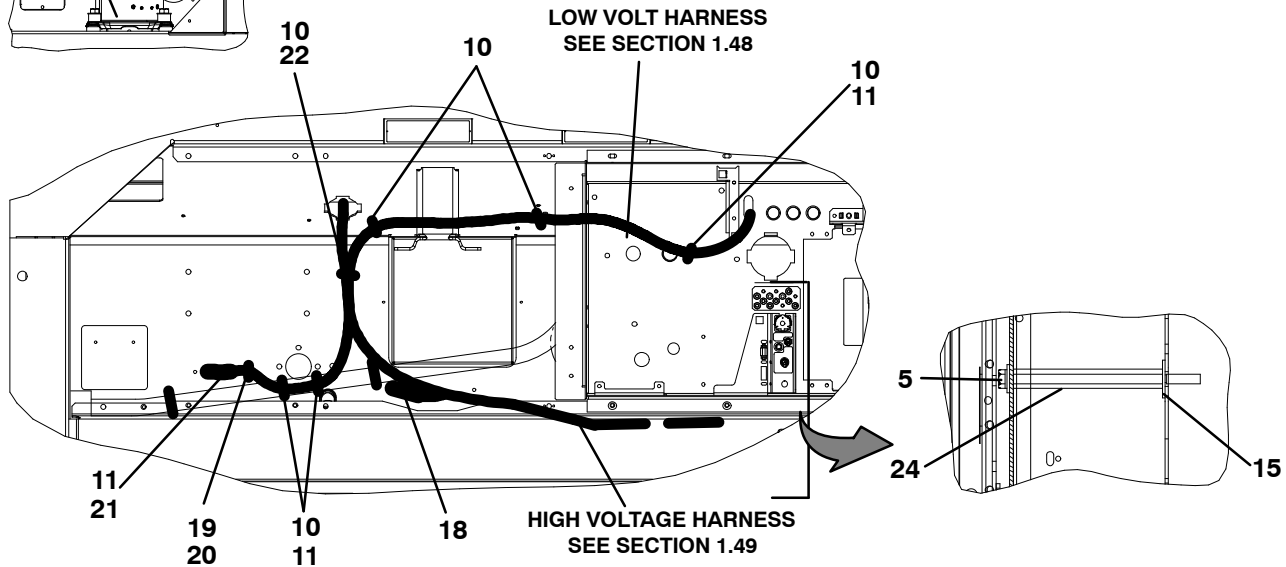
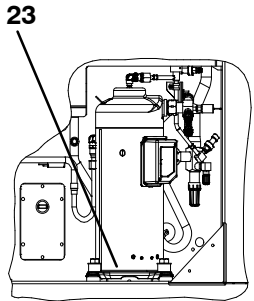


Item	Part Number	Description	Qty
1	58-04315-00	Base, Mounting, 0.250 Inch Diameter Mounting Hole	2
2	66U1-3882	Wire Tie, 1/16-1-3/4, Self-Locking	A/R
3	66U1-5321-7	Washer, Plain, 1/4 W, Type A	4
4	34-06051-32	Rivnut, 10-24 (0.020/0.130)	1
5	66U1-5371-7	Screw, Machine, Hex Head, #10-24 X 0.500, Slotted	3
6	44-01041-04	Clamp, Cushioned, 0.250 Inch Diameter	1
7	66U1-5331-3	Washer, Lock, #10 Spring	1
8	58-00969-00	Wire Tie, 2.80 Inch Diameter, Double Loop	2
9	34-01178-23	Screw, Hex Head, #8-32 X 3/4 Inches Long, SST	1
10	34-01178-22	Screw, Hex Head, #8-32 X 1/2 Inches Long, SST	2
11	44-00361-00	Clip, Retaining, 0.88-1.00, Wire Mounting	2
12	66U1-1571-14	Grommet, 0.50 ID X 1.50 OD	1
13	58-00065-46	Grommet, 0.25 ID X 0.75 OD X 0.12	1

**1.21 CONTROLLER KIT - EMERGENCY BYPASS SYSTEM**



**HARNES ROUTING WITH BYPASS MODULE INSTALLED**

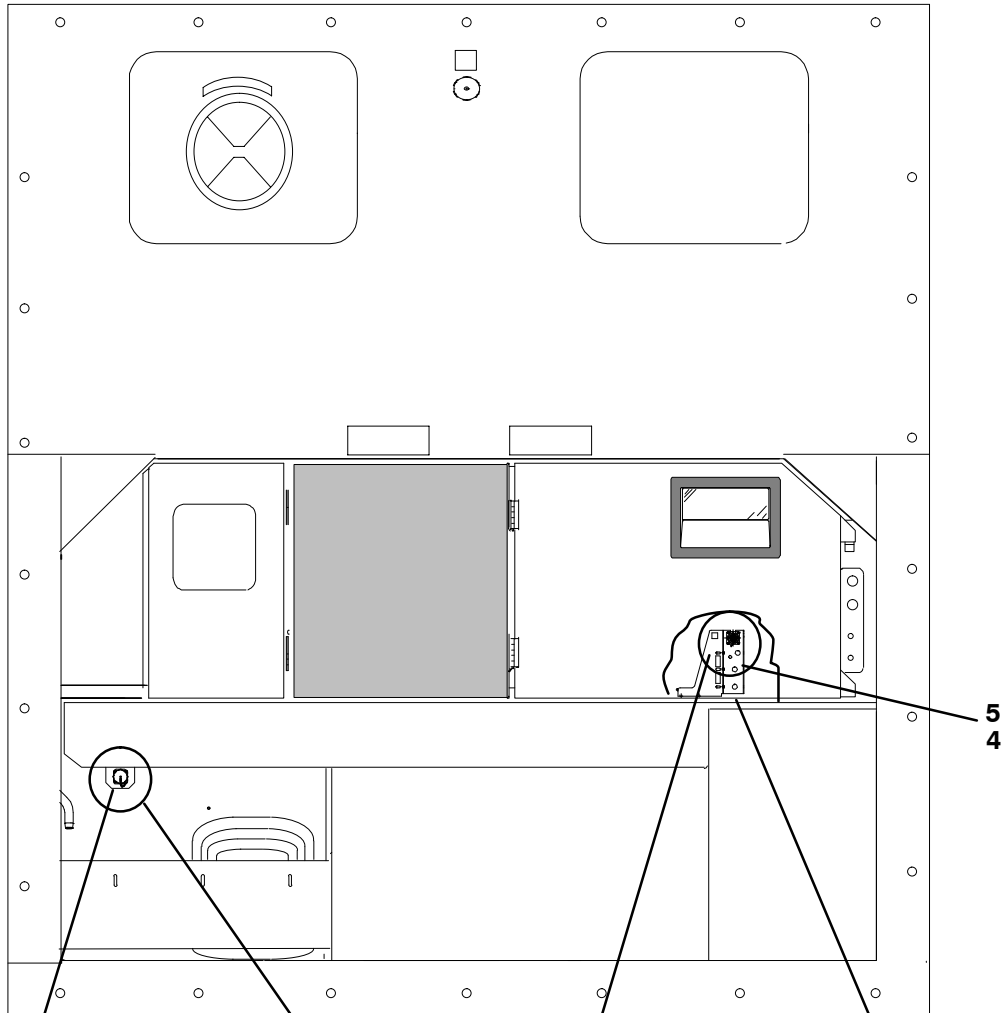


**HARNES ROUTING WITH BYPASS MODULE PROVISIONING**

**1.21 CONTROLLER KIT - EMERGENCY BYPASS SYSTEM (Continued)**

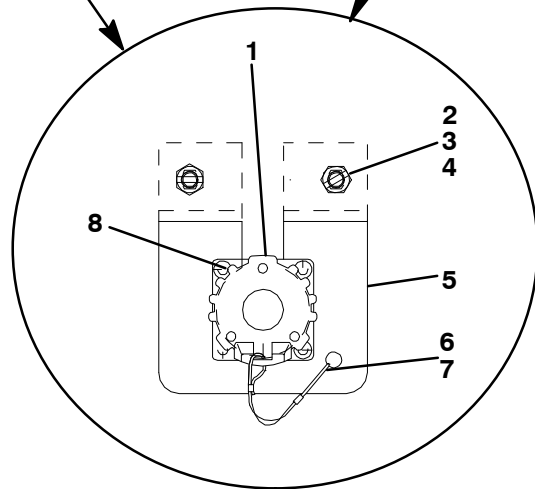
<b>Item</b>	<b>Part Number</b>	<b>Description</b>	<b>Qty</b>
1	10-01129-15	Switch, Toggle <b>EBS</b>	1
2	66U1-3882-2	Wire Tie 1/16-1-3/4 Self-Locking	2
3	10-01129-20	Nut, Hex 15/32-32	1
4	62-10781-04	Label, EBS Instructions	1
5	34-00655-04	Screw, Cap Hex Head 1/4-20 X 0.50	1
6	62-10783-00	Label, EBS Fuse	1
7	22-02336-04	Fuse, 10 Amp	1
8	22-01455-03	Holder Assembly, Fuse	1
9	62-10781-00	Label, EBS	1
10	66U1-3882	Wire Tie, 1/16-1-3/4 Self-Locking	A/R
11	58-04316-00	Base, Mounting	5
12	58-04321-16	Tube, Slit 3/8 ID, 12 Inches Long	1
13	58-00906-16	Tube, Slit 3/4 ID X 12 Inches Long	1
14	66U1-5371-14	Screw, Machine Hex Head 1/4-20 X 3/4	1
15	66U1-5321-7	Washer, Plain 1/4 Type A	4
16	34-06053-00	Washer 0.250 ID X 0.8 OD	3
17	10-00446-02	Module, EBS	1
18	22-01713-41	Harness, Plug	1
19	22-01713-42	Harness, Plug	1
20	22-01713-43	Harness, Plug	1
21	34-01178-22	Screw, Hex Head 8-32 X 0.50	2
22	58-04246-00	Ty-Rap Base	1
23	62-11425-00	Label, EBS	1
24	66U1-9592-18	Standoff, 1/4-20 X 3.93 Long	1

1.22 INTERROGATOR RECEPTACLE



OPTION 1  
OPTION 4

OPTION 3

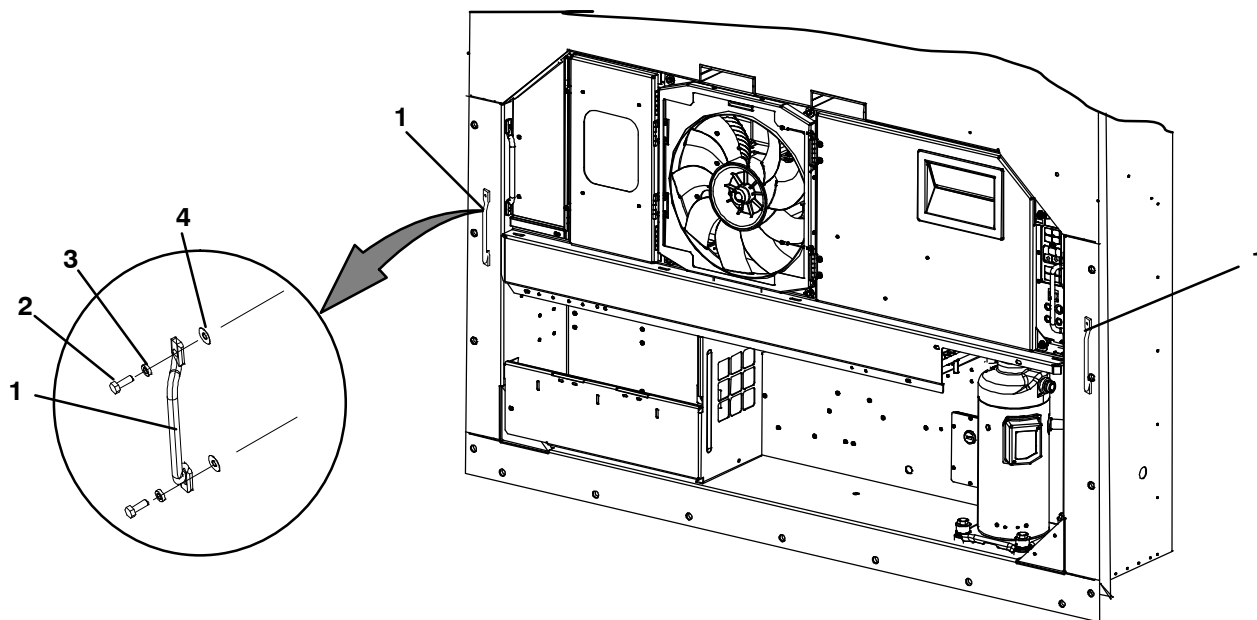




<b>1.22 INTERROGATOR RECEPTACLE (Continued)</b>			
<b>Item</b>	<b>Part Number</b>	<b>Description</b>	<b>Qty</b>
<b>OPTION 1 – INTERROGATOR – LEFT MOUNT</b>			
–	77-01223-17	Control Box Mount Interrogator Receptacle – Includes:	
1	22-02413-00	Cap, Dust	1
2	66U1-3882	Wire Tie, 1/16-1 3/4 Self-Locking	2
8	34-06142-00	Rivet, 0.110 Diameter, 0.126 – 0.250	5
9	58-04316-00	Base, Mounting 0.250 Diameter Mounting Hole	3
11	22-02412-01	Receptacle, 1/4 Inch Retaining	1
8	68-86059-00	Bracket, 0.125 Thick Aluminum	1
3	66U1-3882-3	Wire Tie, 1/16- 4.0 Self-Locking	1
Connector, Interrogator ( <b>Refer to Section 1.48</b> )			
<b>STANDARD PARTS INCLUDED IN OPTION 3 – INTERROGATOR – CONTROL BOX MOUNT</b>			
–	77-01223-XX	Control Box Mount Interrogator Receptacle – Includes:	
2	66U1-3882	Wire Tie, 1/16-1 3/4 Self-Locking	2
6	66U1-3882-3	Wire Tie, 1/16- 4.0 Self-Locking	1
8	34-06142-00	Rivet, 0.110 Diameter, 0.126 – 0.250	4
9	58-04316-00	Base, Mounting 0.250 Diameter Mounting Hole	3
4	22-01660-03	Receptacle (5 Pin)	1
<b>OPTIONAL PARTS FOR OPTION 3 – INTERROGATOR – BOX MOUNT</b>			
–	77-01223-07	Control Box Mount Interrogator Receptacle – <b>See Standard Parts and Use With Items Below:</b>	
1	22-01660-05	Cap, Dust, 5-Pin	1
7	22-02205-00	Connector, Splice, Non-Insulated	2
10	68-14482-00	Bracket, 0.090 Thick Aluminum	1
11	34-06139-04	Receptacle, 1/4 Inch Retaining	1
6	58-01097-00	Cord, Nylon, 0.085 OD	2
5	22-01660-03	Connector, 5-Pin	1
–	77-01223-12	Control Box Mount Interrogator Receptacle – <b>See Standard Parts and Use With Items Below:</b>	
1	22-01660-05	Cap, Dust, 5-Pin	1
10	68-14482-00	Bracket, 0.090 Thick Aluminum	1
6	58-01097-00	Cord, Nylon, 0.085 OD	2
–	77-01223-11	Control Box Mount Interrogator Receptacle – <b>See Standard Parts and Use With Items Below:</b>	
7	42-00174-57	Gasket, 0.50 Thick X 4 Inches X 2.62 Inches	1
8	68-12434-02	Bracket, 0.125 Thick Aluminum	1
–	77-01223-02	Control Box Mount Interrogator Receptacle – <b>See Standard Parts and Use With Items Below:</b>	
11	34-06139-03	Receptacle, 1/4 Inch Retaining	1
7	42-00174-57	Gasket, 0.50 Thick X 4 Inches X 2.62 Inches	1
8	68-12434-02	Bracket, 0.125 Thick Aluminum	1

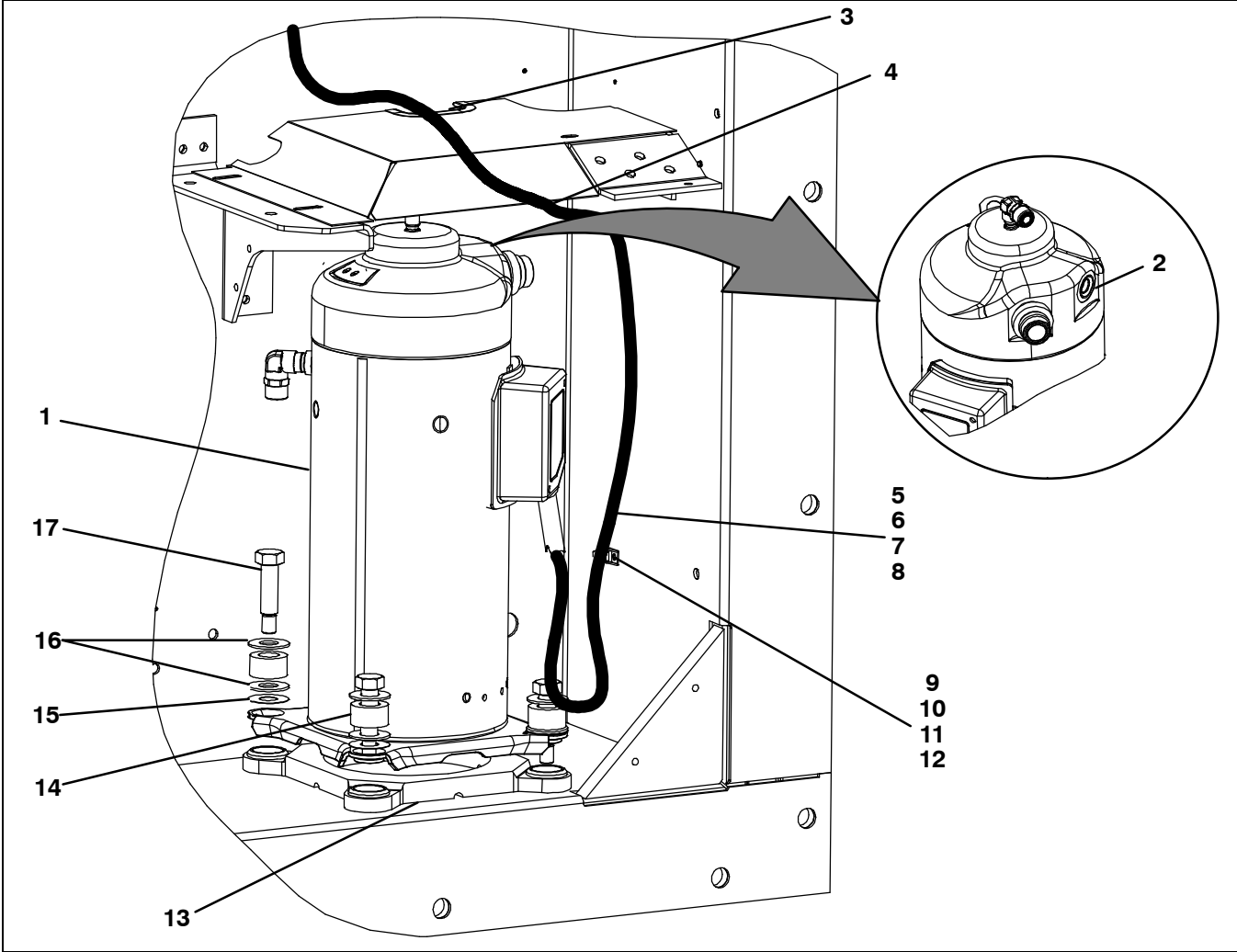
<b>1.22 INTERROGATOR RECEPTACLE (Continued)</b>			
<b>Item</b>	<b>Part Number</b>	<b>Description</b>	<b>Qty</b>
<b>OPTION 4 – INTERROGATOR – LEFT MOUNT</b>			
–	77-01223-00	Left Mount Interrogator Receptacle – Includes:	
1	22-01660-05	Cap, Dust, 5-Pin	1
2	66U1-5321-8	Washer, Plain, #10 Type A	2
3	66U1-5371-7	Screw, Machine, Hex Head, #10-24 X 0.500 Slotted	2
4	34-06053-05	Washer, 0.205 ID X 0.600 OD	2
5	69NT41-192-1	Bracket Assembly, Orange	1
	69NT41-192	Bracket Assembly, White	1
2	66U1-3882	Wire Tie, 1/16-1 3/4 Self-Locking	4
6	66U1-3882-3	Wire Tie, 1/16- 4.0 Self-Locking	2
7	22-02205-00	Connector, Splice, Non-Insulated	2
8	34-06142-00	Rivet, 0.110 Diameter, 0.126-0.250	4
9	58-04316-00	Base, Mounting 0.250 Diameter Mounting Hole	3
Connector, Interrogator (Refer to Section 1.48)			
<b>OPTIONAL PARTS FOR OPTION 4 – INTERROGATOR – LEFT MOUNT</b>			
–	77-01223-10	Left Mount Interrogator Receptacle – <b>See 77-01223-00 for Standard Parts and Use With Item Below:</b>	
–	77-01223-13	Left Mount Interrogator Receptacle – <b>See 77-01223-00 for Standard Parts and Use With Item Below:</b>	
10	68-14482-00	Bracket, 0.090 Thick Aluminum	1
–	77-01223-06	Left Mount Interrogator Receptacle – <b>See 77-01223-00 for Standard Parts and Use With Items Below:</b>	
10	68-14482-00	Bracket, 0.090 Thick Aluminum	1
11	34-06139-04	Receptacle, 1/4 Inch Retaining	1
–	77-01223-04	Left Mount Interrogator Receptacle – <b>See 77-01223-00 for Standard Parts and Use With Items Below:</b>	
11	34-06139-04	Receptacle, 1/4 Inch Retaining	1
12	69NT35-9952	Angle, 0.080 Thick Aluminum, Painter	1

## 1.23 HANDLES



Item	Part Number	Description	Qty
1	69NT35-8113	Handle, Fixed	2
2	34-00792-07	Screw, Captive, Hex Head, 5/16-18 X 0.88	4
3	66U1-5331	Washer, Lock, 5/16 Spring	4
4	34-06053-15	Washer, Mylar, 0.313 ID X 0.875 OD	4

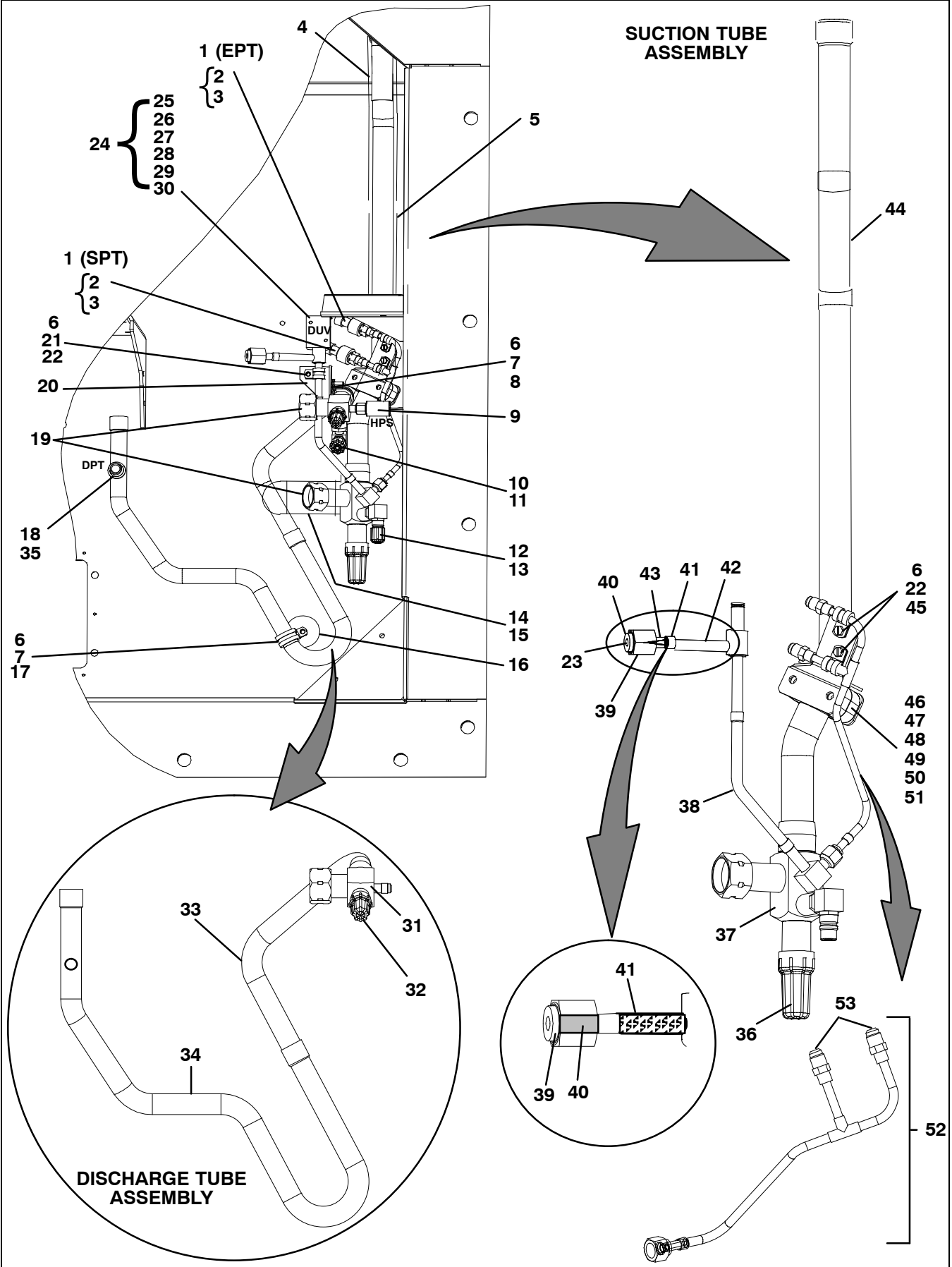
1.24 COMPRESSOR, MOUNTING COMPONENTS, AND POWER CABLE



**1.24 COMPRESSOR, MOUNTING COMPONENTS, AND POWER CABLE (Continued)**

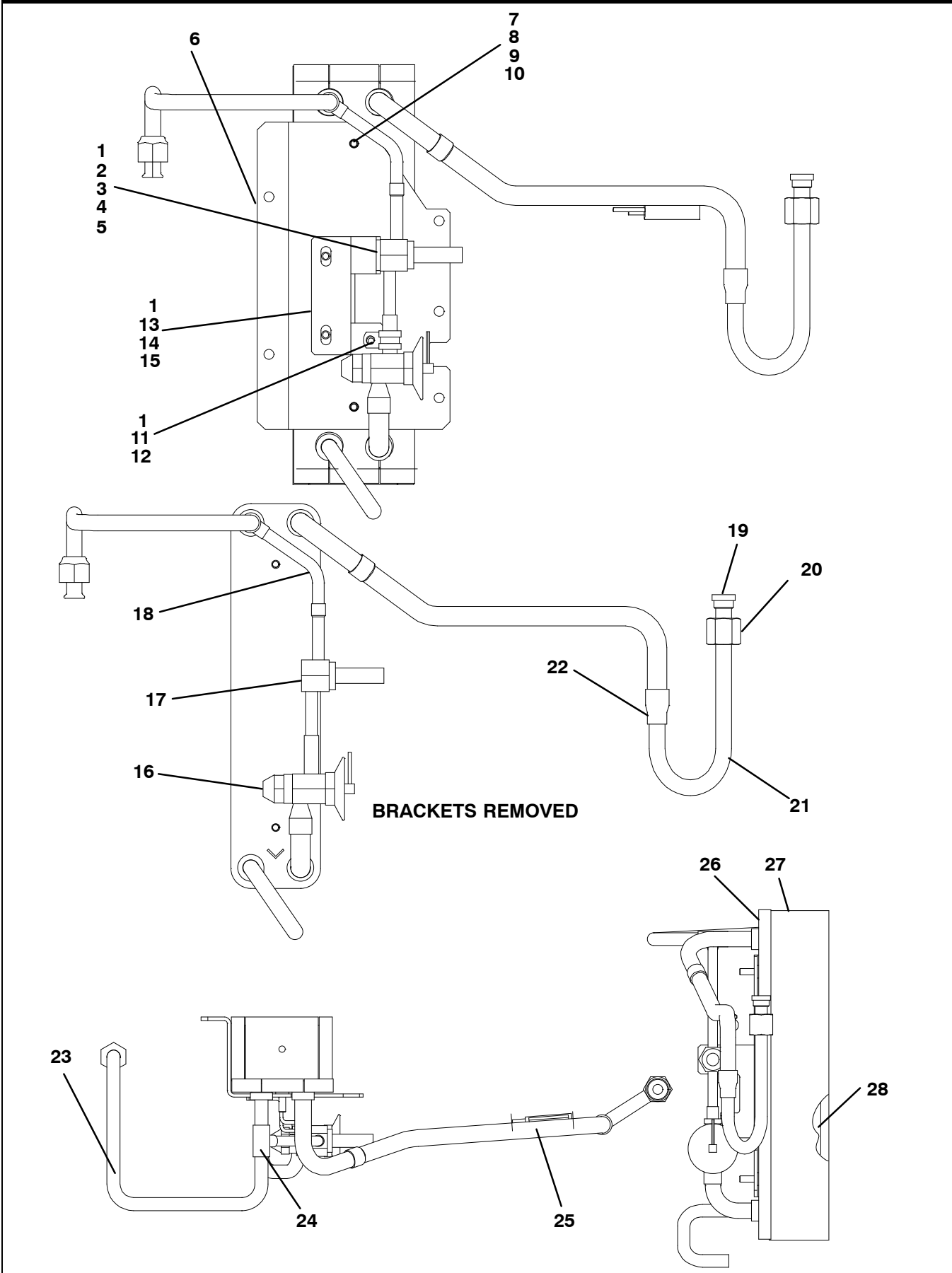
<b>Item</b>	<b>Part Number</b>	<b>Description</b>	<b>Qty</b>
1	18-10136-22	Compressor Scroll, Digital Unloader – Includes:	1
2	12-00653-00	Sensor, Compressor Discharge Temperature <b>(CPDS)</b>	1
3	42-00183-08	Trim, Flexible, 4.50 Inches Long	1
4	66U1-3882-3	Wire Tie, 1/16-4 Self-Locking	1
5	22-04128-00	Cable, Power Kit – Includes:	1
6	22-04128-10	Cable, Power	1
7	22-04128-11	Gasket	1
8	22-04128-13	Screw, Grounding	1
NS	22-04128-12	Lubricant <b>(NSS)</b>	1
9	66U1-3882	Wire Tie, 1/16-1-3/4, Self-Locking	1
10	58-04246-00	Ty-Rap Base, #10 Mounting Tab	1
11	66U1-5371-6	Screw, Machine, Hex Head, #10-24 X 0.750	1
12	34-00663-09	Washer, Lock, #10 Spring	1
13	58-04821-00	Base Assembly	1
14	58-04451-00	Mount, Resilient	4
15	34-06053-20	Washer	4
16	34-06236-00	Washer	8
17	34-06277-02	Bolt, Shoulder	4
NS	46-00025-04	Oil, One Quart	1

1.25 COMPRESSOR TUBING



<b>1.25 COMPRESSOR TUBING (Continued)</b>			
<b>Item</b>	<b>Part Number</b>	<b>Description</b>	<b>Qty</b>
1	76-00816-00	Transducer, Service <b>(EPT)</b> , <b>(SPT)</b>	2
2	22-01713-46	Wire Harness Transducer, Service	1
3	66U-1-3803	Tube, Heat Shrink .25 X 2.12 Blk	3
4	42-00425-110	Insulation Tube, Pre-Taped	1
5	42-00425-114	Insulation Tube, Pre-Taped	1
6	34-06053-05	Washer	5
7	66U1-3632-20	Clamp, Tube	2
8	34-00795-09	Nut, Self-Locking, 10-32	1
9	12-00309-05	Switch, Pressure <b>(HPS)</b>	1
10	40-00542-01	Elbow Adapter (Includes O-ring)	1
11	40-00520-03	Cap	1
12	40-00542-00	Elbow Adapter (Includes O-ring)	1
13	40-00520-02	Cap	1
14	42-00425-112	Insulation, Tube, Pre-Taped	1
15	66U1-3882-3	Wire Tie, 1/16-4 Self-Locking	2
16	34-06295-00	Washer, Fender #10	1
17	66U1-5371-10	Screw, Machine, Hex Head, 10-24 X 1	1
18	12-00352-00	Transducer, Pressure <b>(DPT)</b>	1
19	42-00384-02	Seal, Rotolock	2
20	68-15532-00	Bracket, White	1
	68-15532-01	Bracket, Orange	1
21	34-00373-53	Clamp, Tube	1
22	66U1-5371-6	Screw, Machine, Hex Head, #10-24 X 0.750	3
23	42-00243-12	O-Ring	1
24	14-00361-01	Coil, Kit, Solenoid - Includes:	1
25	NSS	Coil, Solenoid	1
26	NSS	Spacer	1
27	NSS	Washer, Plain, M4	1
28	NSS	Washer, Spring, M4	1
29	NSS	Screw, Coil, M4	1
30	66U1-3803	Tube, Heat Shrink	2
31	40-00583-05	Valve, Service, 7/8 ID	1
32	40-00583-20	Valve Cap, Service	1
33	56-08638-00	Tube, Discharge - Upper	1
34	56-08635-00	Tube, Discharge - Lower	1
35	40-01124-00	Valve Body	2
36	40-00665-21	Cap	1
37	76-00818-01	Valve, Service, 1-1/8 ID	2
38	56-08689-00	Tube	1
39	40-00675-00	Nut, Hex, 37 Degree, Flare, 1/2 OD	2
40	40-00663-00	Sleeve	2
41	56-07257-11	Tube	1
42	14-00361-00	Solenoid Valve - Includes:	1
43	NSS	Screen, Valve	1
44	56-08634-01	Tube, Suction	1
45	34-00373-51	Clamp, Tube	2
46	68-15997-00	Bracket	1
47	44-00285-54	Clamp, Tube	1
48	34-00655-18	Screw, Cap, Hex Head 1/4-20 X 2.25	2
49	34-06053-00	Washer	2
50	66U1-5321-7	Washer, Plain 1/4 W Type A	2
51	68-15998-00	Nut Plate, 1.125 Thick Aluminum	1
52	79-01977-00	Tube Assembly - Includes:	1
53	14-00351-00	Valve, Core Check	2

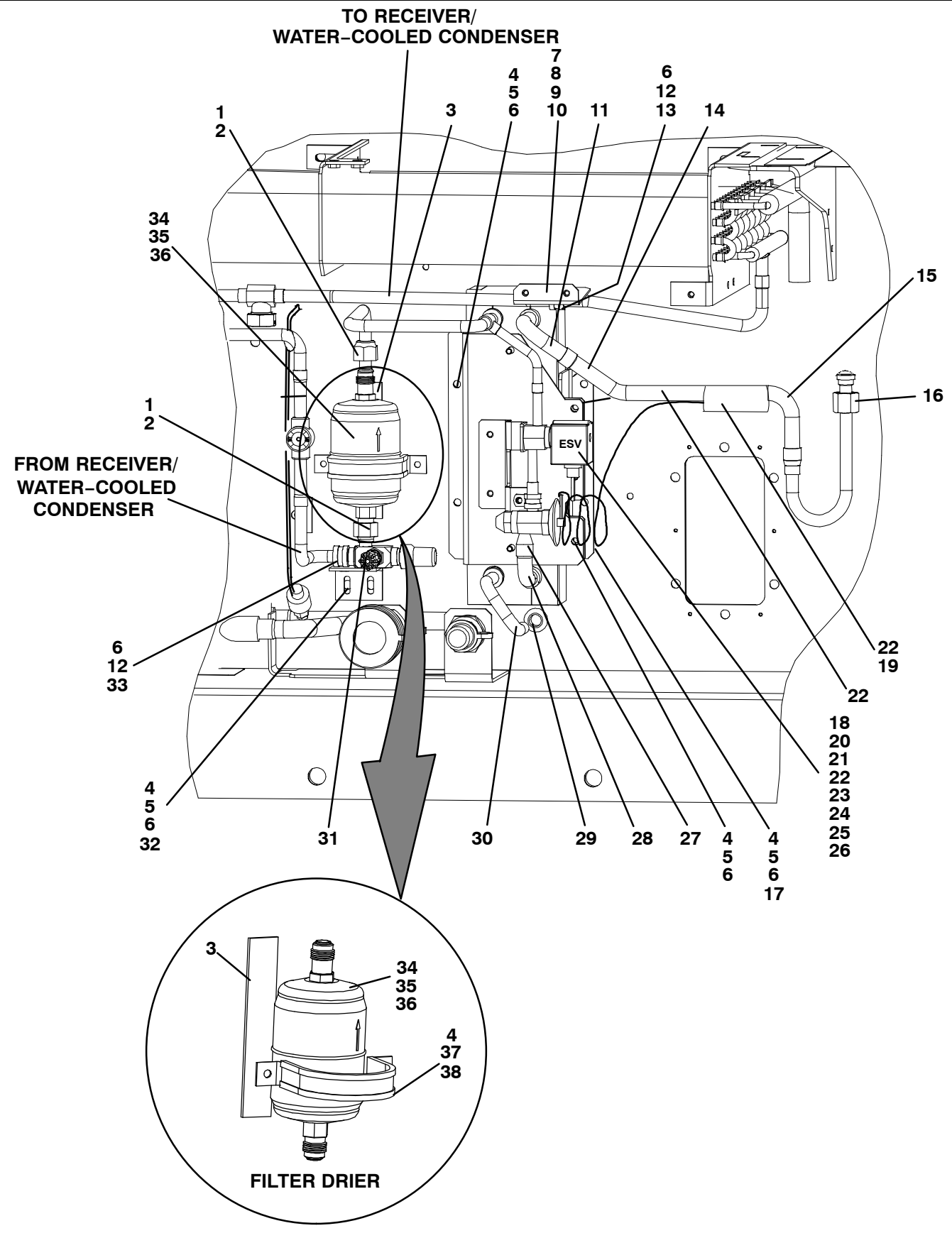
1.26 ECONOMIZER





<b>1.26 ECONOMIZER (Continued)</b>			
<b>Item</b>	<b>Part Number</b>	<b>Description</b>	<b>Qty</b>
1	34-06053-05	Washer, 0.205 ID X 0.60 OD	7
2	66U1-5371	Screw, Machine, Hex Head, 8-32 X 1/2 Inches Long, Slotted	4
3	66U1-5321-2	Washer, Plain, #8, Type A	4
4	66U1-5331-4	Washer, Lock, #8, Spring	4
5	58-04026-59	Protector, Solenoid Valve	1
6	68-15477-02	Bracket, White	1
	68-15477-03	Bracket, Orange	1
7	58-00836-19	Spacer	2
8	34-06053-00	Washer, 0.250 ID X 0.80 OD	2
9	66U1-5321-7	Washer, Plain 1/4, Type A	2
10	34-00667-11	Nut, Self-Locking, 1/4-20	2
11	34-00373-54	Clamp, Tube Cushion	1
12	66U1-5371-6	Screw, Machine, Hex Head, 10-24 X 0.750, Slotted	3
13	66U1-5371-7	Screw, Machine, Hex Head, 10-24 X 0.50	2
14	66U1-5321-8	Washer, Plain 10, Type A	4
15	68-14278-00	Bracket, White	1
	68-14278-01	Bracket, Orange	1
16	14-00232-31	Valve, Expansion	1
17	14-01090-12	Valve, Solenoid	1
18	56-07911-00	Tube, Liquid	1
19	40-00668-00	Sleeve, 1/2 ORS	1
20	40-00667-00	Hex Nut, Tube, 1/2 ORS	1
21	56-08736-00	Tube, 1/2 OD X 0.035 W	1
22	40-00130-07	Coupling, 5/8 C X 1/2 C	1
23	56-08710-00	Tube, Liquid, 1/2 OD X 0.035 W	1
24	40-00169-04	Reducing Tee 1/2 X 1/2 X 3/8	1
25	42-00032-00	Insulation	1
26	42-00390-00	Insulation, Economizer	1
27	42-00389-03	Insulation, Economizer	1
28	81-04067-00	Heat Exchanger Assembly	1

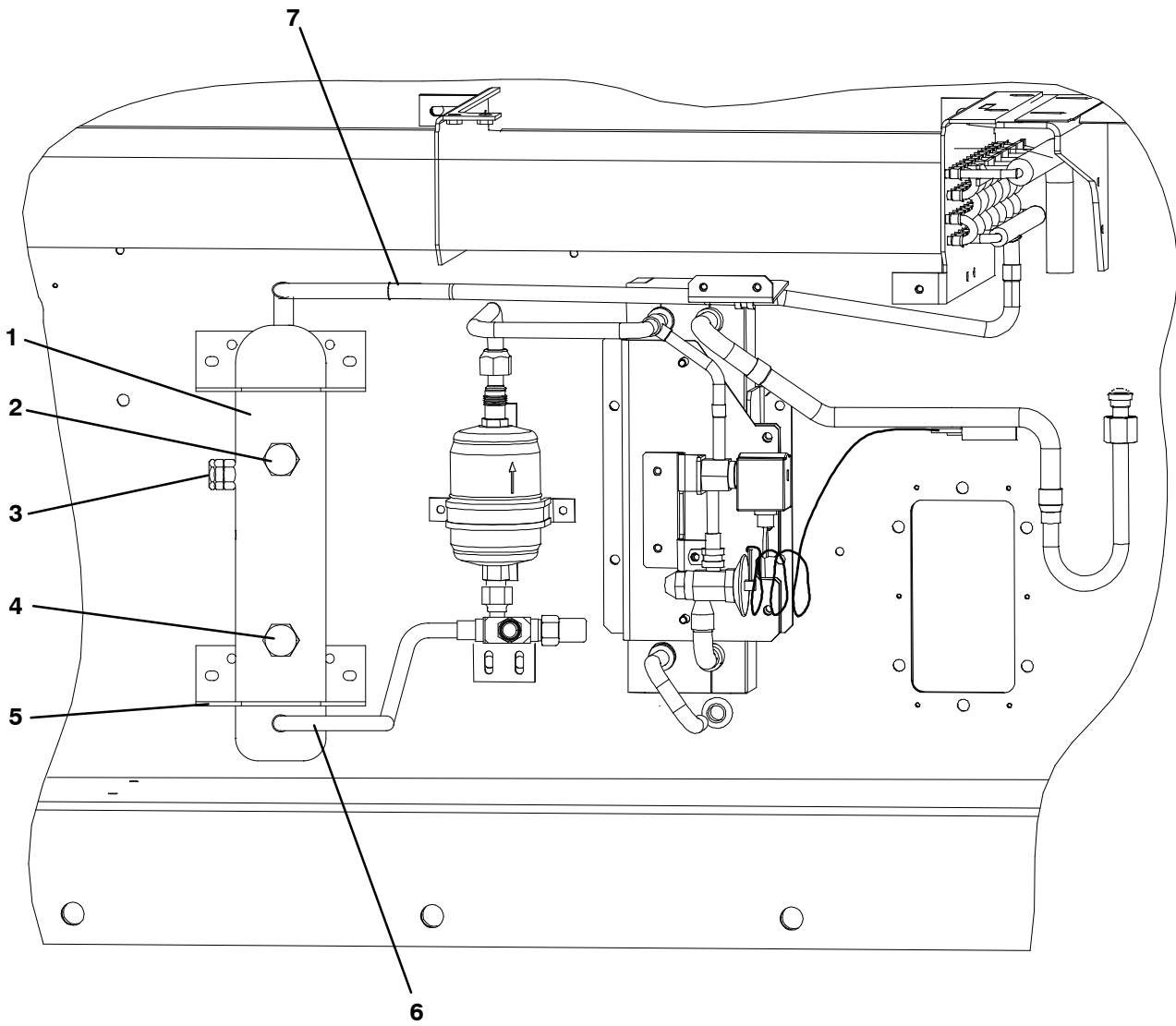
**1.27 LIQUID LINE COMPONENTS**



**1.27 LIQUID LINE COMPONENTS (Continued)**

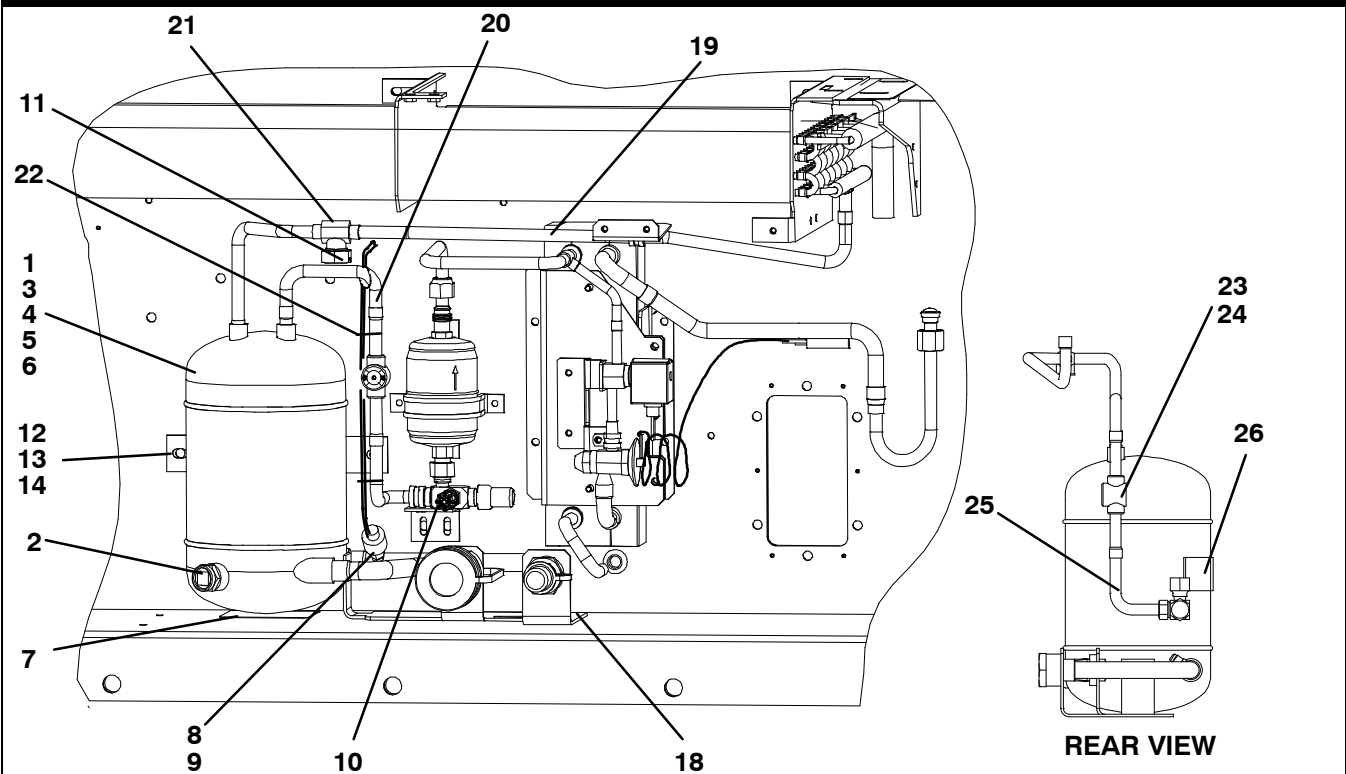
Item	Part Number	Description	Qty
1	42-00032-13	Insulation	2
2	66U1-3882	Wire Tie, 1/16 – 1-3/4, Self-Locking	4
3	66U1-2552-133	Gasket	1
4	66U1-5361-25	Screw, Cap, Hex Head, 1/4-20 X 0.75	A/R
5	66U1-5321-7	Washer, Plain, 1/4, Type A	A/R
6	34-06053-00	Washer, 0.250 ID X 0.8 OD	A/R
7	68-15171-00	Bracket, White	1
	68-15171-01	Bracket, Orange	1
8	66U1-5371-8	Screw, Machine, Hex Head, #10 Type A	2
9	34-06053-05	Washer, 0.205 ID X 0.6 OD	2
10	66U1-5371-7	Screw, Machine, Hex Head, 10-24 X 0.50	12
11	42-00667-249	Insulation, Tube, Pre-Taped	8
12	66U1-5371-6	Screw, Machine, Hex Head, #10-24 X 0.750 Slotted	2
13	44-00370-03	Clamp, Cushioned	1
14	42-00667-30	Insulation, Tube, Pre-Taped	1
15	42-00667-27	Insulation, Tube, Pre-Taped	1
16	42-00243-04	O-Ring, 0.50 ID X 0.62 OD	1
17	68-15478-02	Bracket, White	1
	68-15478-03	Bracket, Orange	1
18	34-66638-00	Screw, Captured Washer #10-32	1
19	42-00425-69	Insulation, Tube, Pre-Taped	1
20	14-01091-04	Coil, Kit, Solenoid Valve ( <b>ESV</b> ) – Includes:	2
21	NSS	Coil, Solenoid	2
22	NSS	O-Ring	2
23	NSS	O-Ring	2
24	NSS	Spacer, Brass	2
25	NSS	Screw, Captive Washer, #10-32	1
26	66U1-3803	Tube, Heat Shrink	4
27	42-00425-93	Insulation, Tube, Pre-Taped	1
28	42-00425-78	Insulation, Tube, Pre-Taped	1
29	66U1-1571-3	Grommet	1
30	42-00667-28	Insulation, Tube, Pre-Taped	13
31	40-00520-01	Coupling	1
32	68-15172-00	Bracket, White	1
	68-15172-01	Bracket, Orange	1
33	34-00373-07	Clamp, Tube, Cushion	1
34	14-00341-07	Filter Drier, O-Ring Single – Includes:	1
35	14-00341-07PK25	Filter Drier O-Ring, 25 Pack – Includes:	25
36	14-00284-20	O-Ring Filter Drier	1
37	69NP20-1031	Clamp, Tube, Cushion	1
38	34-06053-03	Washer	2

**1.28 RECEIVER**



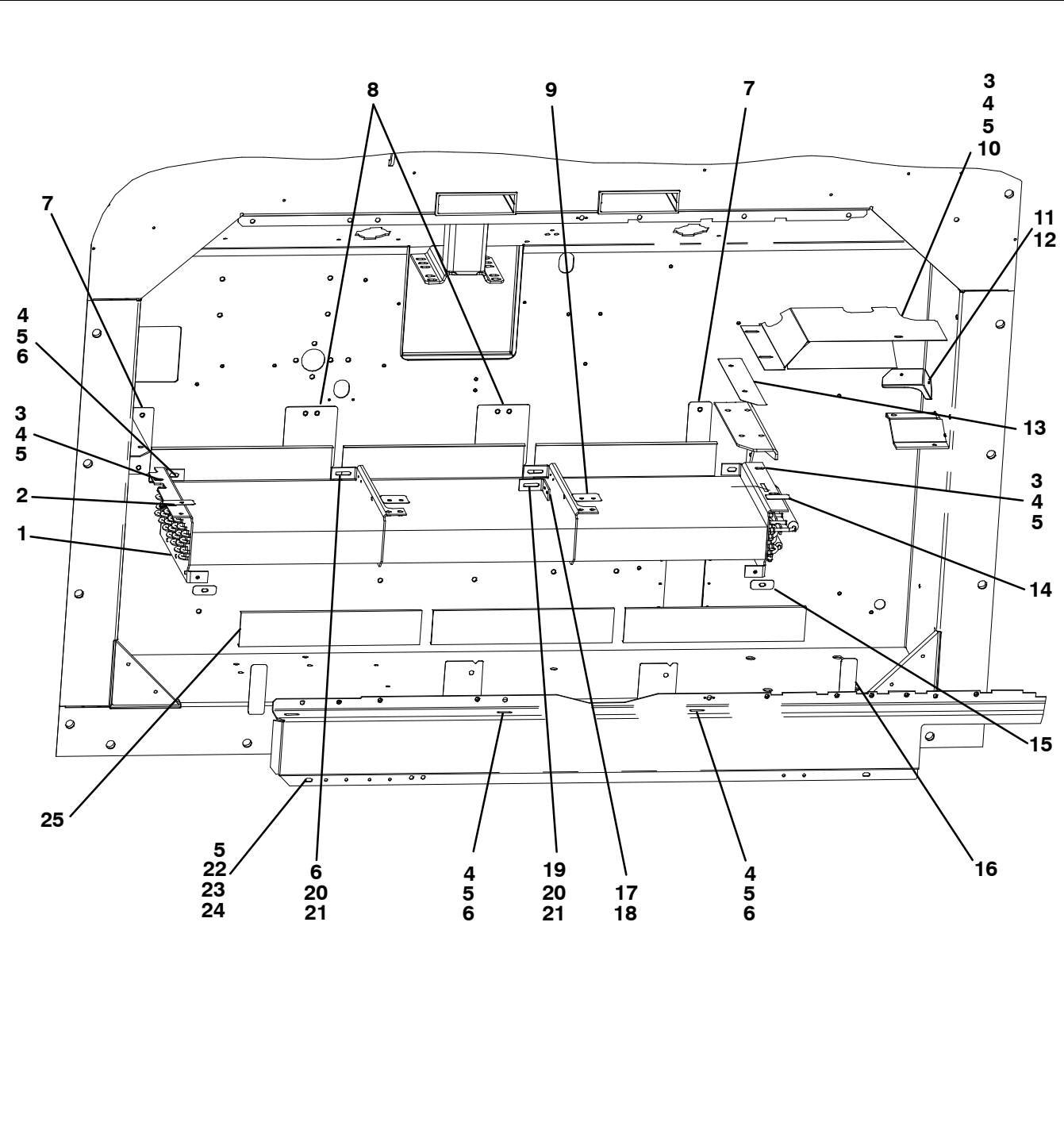
Item	Part Number	Description	Qty
-	79-01785-02	Receiver Assembly - Includes:	1
1	65-00177-05	Receiver Assembly	1
2	14-00220-04	Sight Glass	1
3	14-01032-14	Plug, Fusible, 3/8 NFPT	1
4	14-00221-04	Indicator, Moisture and Liquid	1
5	58-04026-61	Protector	2
6	56-08480-00	Tube, Liquid	1
7	56-08644-00	Tube, Liquid	1

## 1.29 WATER-COOLED CONDENSER



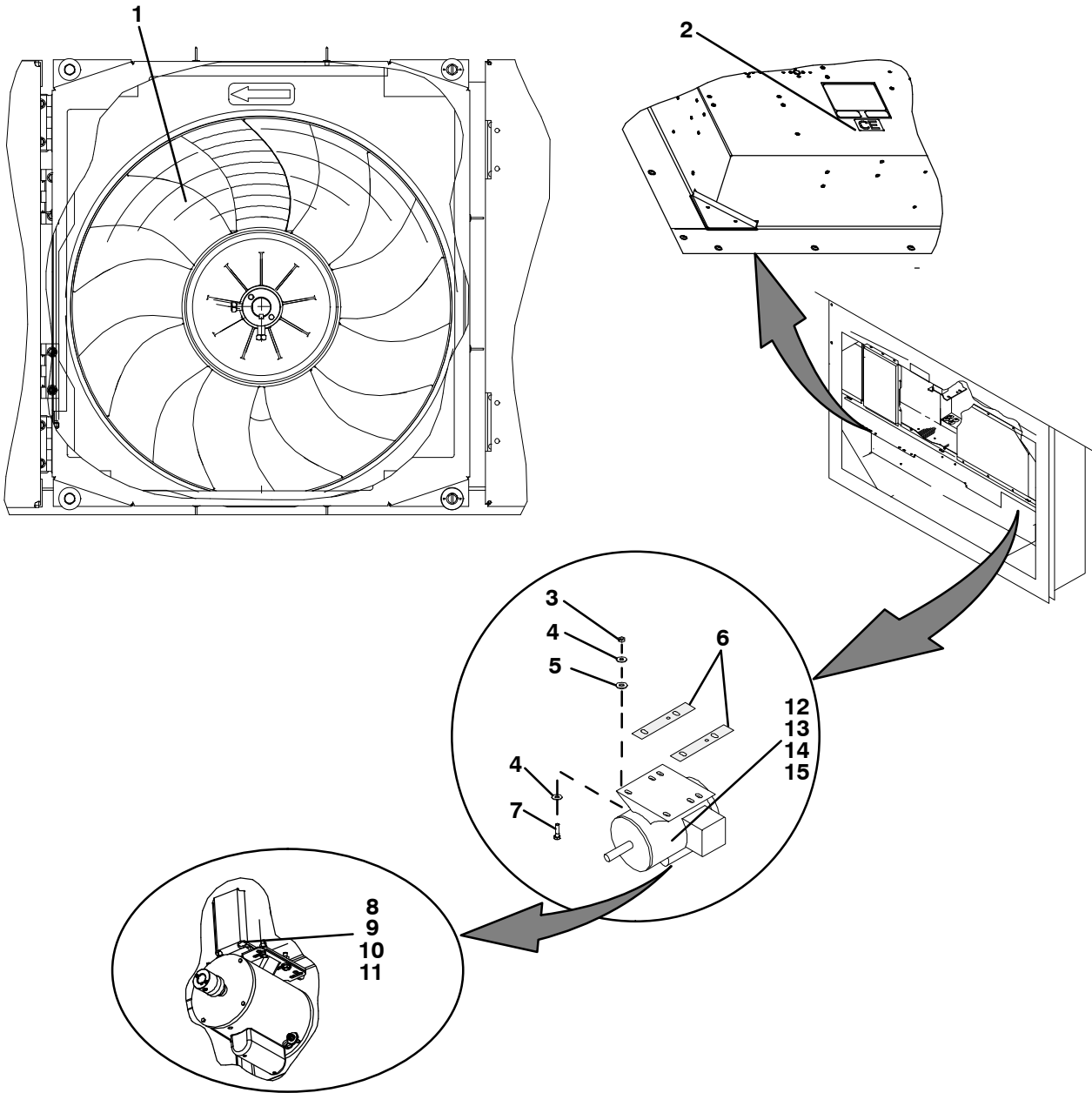
Item	Part Number	Description	Qty
-	76-00800-00	Condenser/Receiver Assembly - Includes:	1
1	65-00194-00	Condenser Assembly - Includes:	1
2	14-00220-00	Sight Glass, 1/2-14 NPT	1
3	40-01129-00	Coupling Socket	1
4	66U2-1152	Cap, Dust Socket	2
5	66U2-1142	Cap, Dust Plug	2
6	66U1-2763-5	Coupling, Plug	1
7	58-04026-52	Protector	1
8	66U2-1132-1	Connector, 16-14 Gauge	2
9	12-01071-02	Switch, Water Pressure, 1/4 Inch Female	1
10	14-00222-02	Valve, King	1
11	14-00215-05	Rupture Disc	1
12	66U1-5361-25	Screw, Cap, Hex Head, 1/4-20 X 0.75	A/R
13	66U1-5321-7	Washer, Plain, 1/4, Type A	A/R
14	34-06053-00	Washer, 0.250 ID X 0.8 OD	A/R
15	66U1-5361-7	Screw, Cap, Hex Head, 3/8-16 X 1 Inch	1
16	34-00662-13	Washer, Plain, 3/8	1
17	34-06053-02	Washer, 0.375 ID X 1 Inch OD	1
18	58-00957-00	Protector	2
19	56-08642-00	Tube, Liquid	1
20	58-04321-25	Slit Tube, 3/8 ID, 16 Inches	1
21	40-00555-06	Tee, Street, 1/2 X 1/2 X 3/8 NPT	1
22	66U1-3882-3	Wire Tie, 1/16-4	8
23	81-04066-00	Tube Assembly - Includes:	1
24	14-01092-15	Moisture Indicator	1
25	56-08481-00	Tube, Liquid	1
26	58-00956-00	Protector	2

1.30 CONDENSER COIL AND COVERS



<b>1.30 CONDENSER COIL AND COVERS (Continued)</b>			
<b>Item</b>	<b>Part Number</b>	<b>Description</b>	<b>Qty</b>
1	08-00319-20	Coil Assembly, Condenser	1
2	58-04026-08	Protector, Coil Cover	1
3	34-00655-04	Screw, Cap Hex Head, 1/4-20 X 0.50	4
4	66U1-5321-7	Washer, Plain, 1/4	A/R
5	34-06053-00	Mylar Washer, 0.250 ID X 0.800 OD	A/R
6	66U1-5361-25	Screw, Cap Hex Head, 1/4-20 X 0.75	5
7	58-04026-50	Protector, Tube Sheet	2
8	58-04026-57	Protector, Center Tube Sheet	2
9	58-04026-03	Protector, Tube Sheet	2
10	68-15476-00	Cover, White	1
	68-15476-01	Cover, Orange	1
11	68-15285-00	Baffle, White	1
	68-15285-01	Baffle, Orange	1
12	34-00928-03	Rivet, Blind	2
13	58-04026-77	Protector	1
14	58-04026-21	Protector	1
15	58-04026-41	Protector, Coil Cover	2
16	58-04026-42	Protector, Coil Cover	2
17	68-14754-00	Bracket, Tube Sheet Support	1
18	34-00928-04	Rivet, Blind	2
19	34-00655-08	Screw, Cap, Hex Head, 1/4-20 X 1.00	1
20	34-01181-02	Washer, Flat	2
21	34-06053-22	Mylar Washer, 0.195 ID X 1.125 OD	2
22	66U1-5371-7	Screw, Machine, Hex Head, #10-24 X 0.500	4
23	69NT35-2692-4	Washer, Fender	4
24	68-15851-00	Cover, White	1
	68-15851-01	Cover, Orange	1
25	69NT35-8693-11	Protector	6
26	58-04026-44	Protector, Coil Cover	2

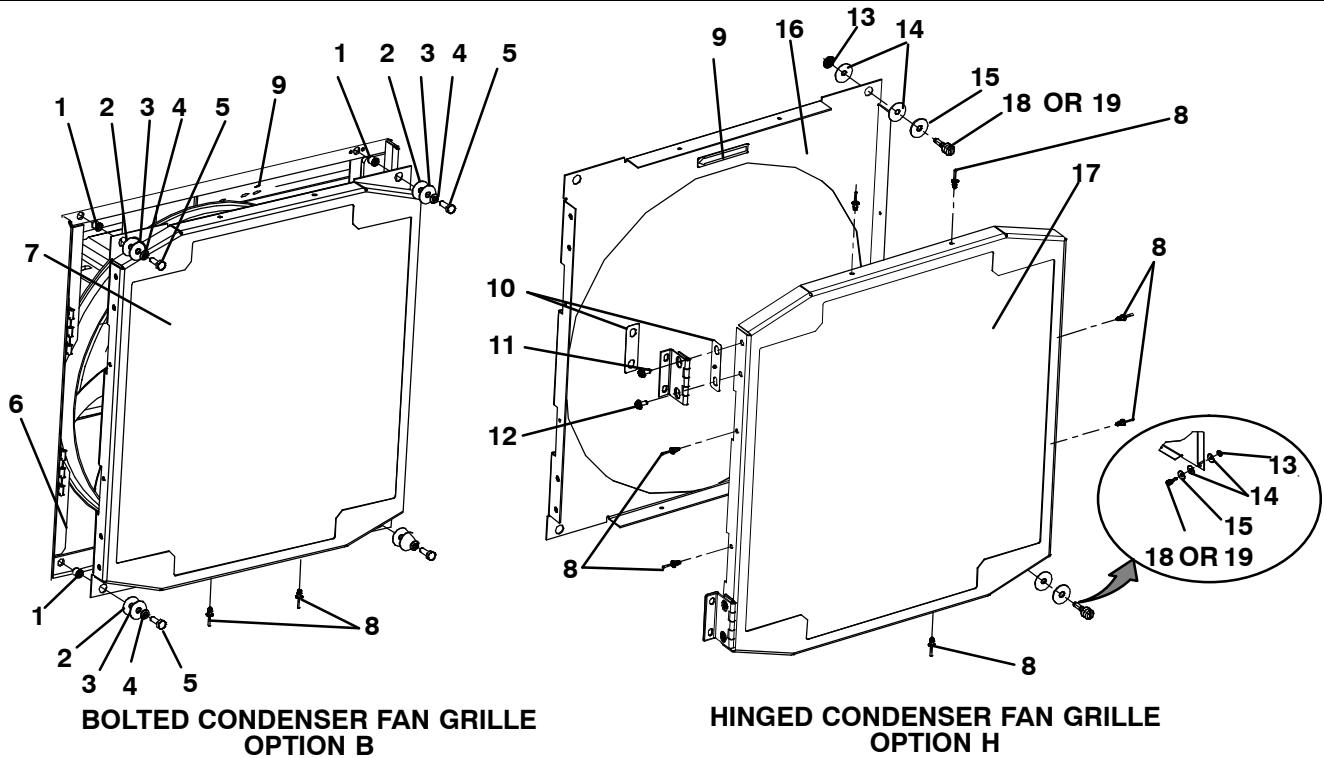
1.31 CONDENSER FAN MOTOR





<b>1.31 CONDENSER FAN MOTOR (Continued)</b>			
<b>Item</b>	<b>Part Number</b>	<b>Description</b>	<b>Qty</b>
<b>STANDARD PARTS INCLUDED IN OPTIONS</b>			
1	38-00585-00	Fan, Condenser	1
2	62-02785-00	Label, CE	A/R
3	34-00667-12	Nut, Self-Locking, 5/16-18	4
4	34-01181-01	Washer, Flat	8
5	34-06053-02	Washer, 0.375 ID X 1.000 OD	4
6	69NT35-6112	Protector, Condenser Fan Motor Mounting	2
7	66U1-5361	Screw, Cap, Hex Head, 5/16-18 X 1.25	4
8	69NT35-3452	Shim	1
9	69NT35-3452-1	Shim	1
10	69NT35-3452-2	Shim	1
11	69NT35-3452-3	Shim	1
12	54-00586-20	Motor, Condenser, Single Phase - Includes:	1
13	04-50029-00	Bearing	2
14	22-01997-05	Pin	A/R
15	22-01997-10	Pin, Grounding	A/R

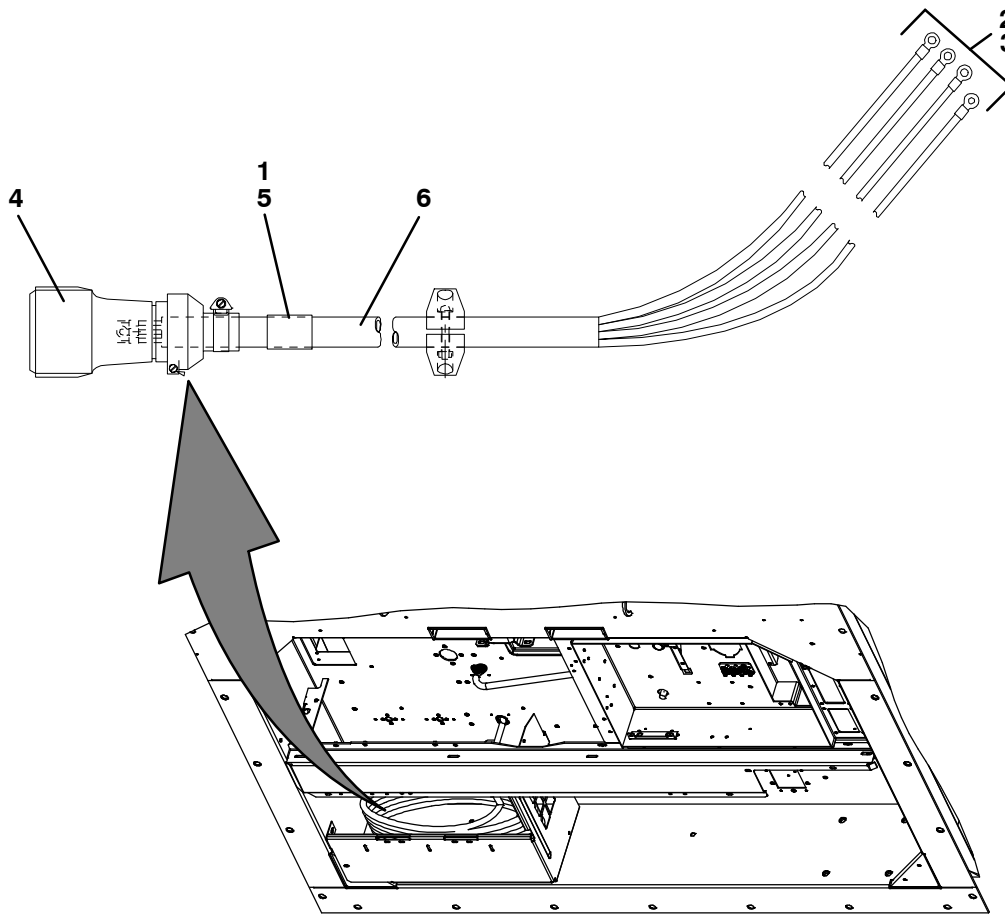
## 1.32 CONDENSER FAN GRILLE ASSEMBLY



Item	Part Number	Description	Qty
<b>STANDARD PARTS INCLUDED IN OPTION B - BOLTED CONDENSER FAN GRILLE</b>			
1	34-06051-36	Rivnut, 1/4-20	A/R
2	34-06053-03	Washer, 0.250 ID X 1.000 OD	A/R
3	69NT35-2692-1	Washer, Fender, 1/4	A/R
4	34-00663-11	Washer, Lock, 1/4 Spring	A/R
5	66U1-5361-25	Screw, Cap Hex Head, 1/4-20 X 0.75	A/R
<b>BLUE PANEL</b>			
<b>See Previous Section for Standard Parts and use with Items Below:</b>			
	79-66635-00	Grille and Venturi Assembly, Blue - Includes:	1
6	68-12635-05	Panel Venturi	1
7	86-04637-00	Grille Assembly	1
8	34-00928-07	Rivet, Blind	8
9	62-11273-00	Label, Rotation	1
<b>WHITE PANEL</b>			
<b>See Previous Section for Standard Parts and use with Items Below:</b>			
	79-66635-01	Grille and Venturi Assembly, White - Includes:	1
6	68-12635-22	Panel Venturi	1
7	86-04637-02	Grille Assembly	1
8	34-00928-07	Rivet, Blind	8
9	62-11273-00	Label, Rotation	1
<b>ORANGE PANEL</b>			
<b>See Previous Section for Standard Parts and use with Items Below:</b>			
	79-66635-02	Grille and Venturi Assembly, Orange - Includes:	1
6	68-12635-06	Panel Venturi	1
7	86-04637-01	Grille Assembly	1
8	34-00928-07	Rivet, Blind	8
9	62-11273-00	Label, Rotation	1

<b>1.32 CONDENSER FAN GRILLE ASSEMBLY (Continued)</b>			
<b>Item</b>	<b>Part Number</b>	<b>Description</b>	<b>Qty</b>
<b>STANDARD PARTS INCLUDED IN OPTION H – HINGED CONDENSER FAN GRILLE</b>			
8	34-00928-07	Rivet, Blind	8
10	58-04101-07	Protector	4
11	44-00374-00	Hinge	2
12	34-06179-00	Screw, Hex Head, Sems #10-24 X 7/16	4
13	34-06169-00	Washer, Retaining, SST	2
14	34-06053-03	Washer, Mylar, 1/4 ID X 1.00 OD	4
15	69NT35-2692-1	Washer, Fender, 1/4, SST	2
<b>BLUE PANEL WITH SLOTTED SCREW</b>			
<b>See Previous Section for Standard Parts and use with Items Below:</b>			
	79-66635-03	Grille and Venturi Assembly, Blue, Slotted Screw – Includes:	1
16	68-12635-03	Panel, Venturi	1
17	86-04637-00	Grille Assembly	1
18	66U1-6811-8	Screw, Retaining, SST	2
<b>WHITE PANEL WITH SLOTTED SCREW</b>			
<b>See Previous Section for Standard Parts and use with Items Below:</b>			
	79-66635-04	Grille and Venturi Assembly, White, Slotted Screw – Includes:	1
16	68-12635-21	Panel, Venturi	1
17	86-04637-02	Grille Assembly	1
18	66U1-6811-8	Screw, Retaining	2
<b>ORANGE PANEL WITH SLOTTED SCREW</b>			
<b>See Previous Section for Standard Parts and use with Items Below:</b>			
	79-66635-05	Grille and Venturi Assembly, Orange, Slotted Screw – Includes:	1
16	68-12635-04	Panel, Venturi	1
17	86-04637-01	Grille Assembly	1
18	66U1-6811-8	Screw, Retaining	2
<b>BLUE PANEL WITH PHILLIPS SCREW</b>			
<b>See Previous Section for Standard Parts and use with Items Below:</b>			
	79-66635-06	Grille and Venturi Assembly, Blue, Phillips Screw – Includes:	1
16	68-12635-03	Panel, Venturi	1
17	86-04637-00	Grille Assembly	1
19	66U1-6811-12	Screw, Retaining	2
<b>WHITE PANEL WITH PHILLIPS SCREW</b>			
<b>See Previous Section for Standard Parts and use with Items Below:</b>			
	79-66635-07	Grille and Venturi Assembly, White, Phillips Screw – Includes:	1
16	68-12635-21	Panel, Venturi	1
17	86-04637-02	Grille Assembly	1
19	66U1-6811-12	Screw, Retaining	2
<b>ORANGE PANEL WITH PHILLIPS SCREW</b>			
<b>See Previous Section for Standard Parts and use with Items Below:</b>			
	79-66635-08	Grille and Venturi Assembly, Orange, Phillips Screw – Includes:	1
16	68-12635-04	Panel, Venturi	1
17	86-04637-01	Grille Assembly	1
19	66U1-6811-12	Screw, Retaining	2

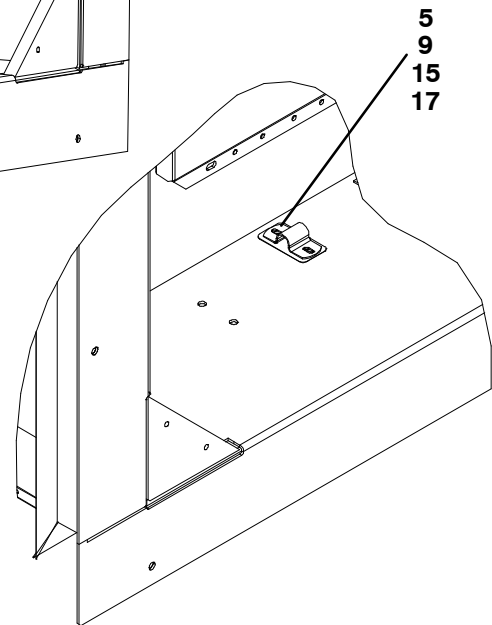
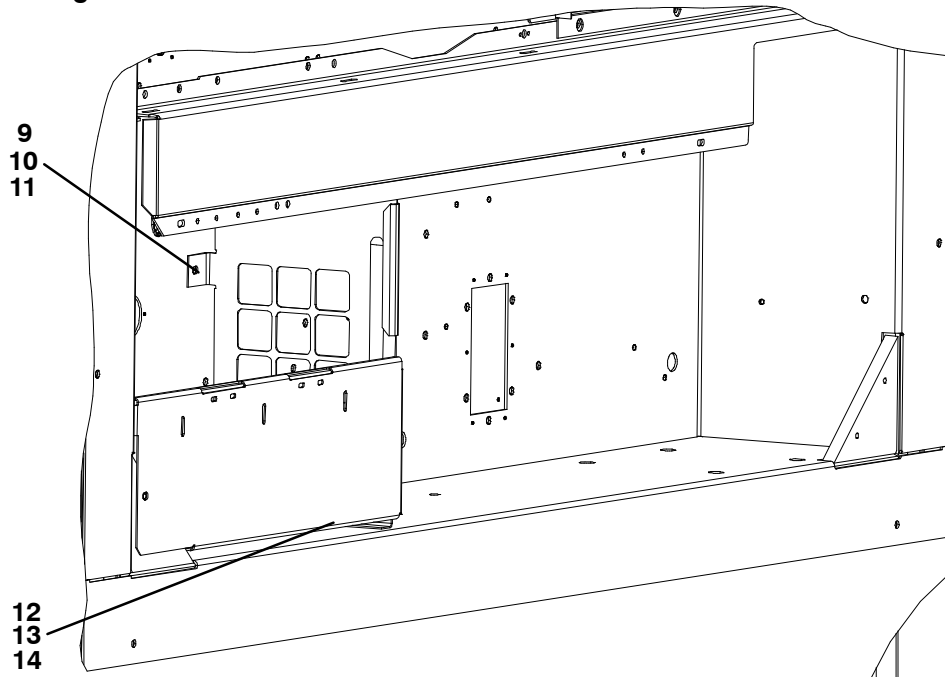
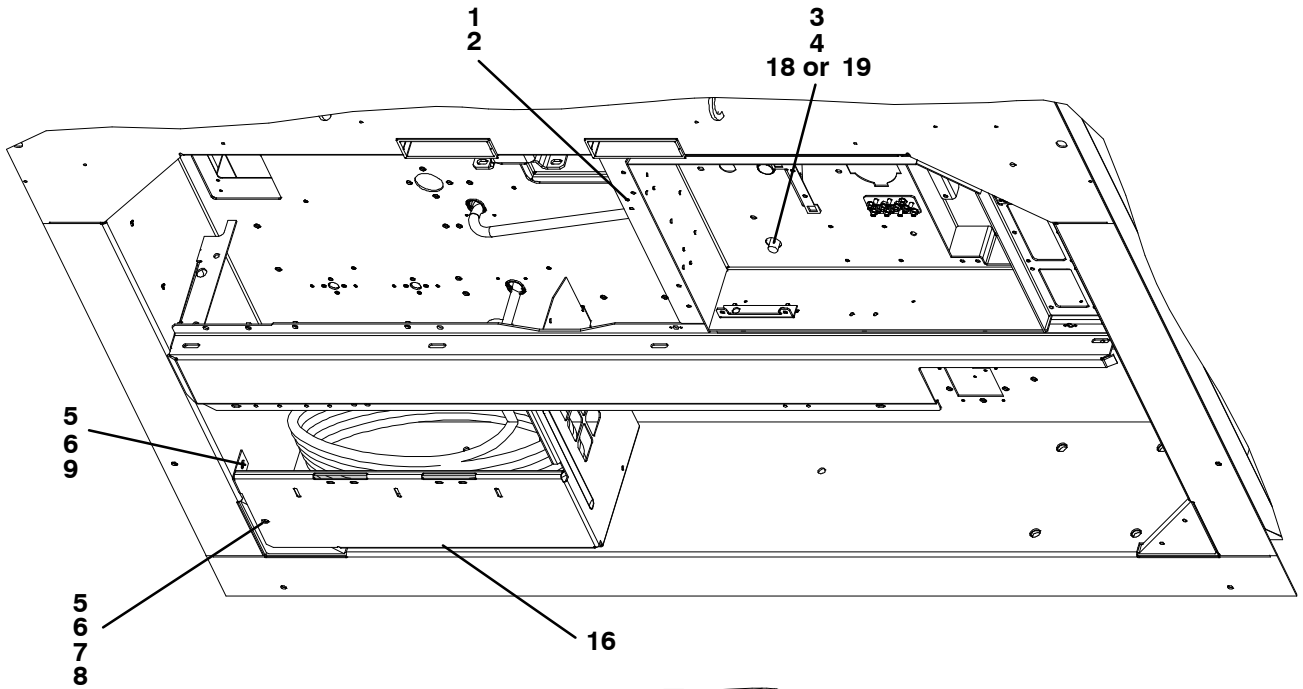
### 1.33 VOLTAGE CABLES



Item	Part Number	Description	Qty
<b>460V CABLES</b>			
<b>STANDARD PARTS FOR ALL 460V CABLES</b>			
1	66U1-2583	Heat Shrink Tube (Coil Label), 460V	1
2	22-00119-04	Terminal Ring, 1/4 Stud	1
3	22-00119-03	Terminal Ring, #10 Stud	3
<b>OPTION 1</b>			
4	22-02378-00	Plug, 4 Pole, 440 V	1
5	22-02324-01	Bushing	4
6	66U1-9782	Cable, Power, 10/4	A/R
<b>OPTION 2</b>			
4	22-02378-00	Plug Assembly	1
5	22-02324-05	Bushing	4
6	22-66651-00	Cable, Power, 11/4	A/R
<b>OPTION 3</b>			
4	22-02232-01	Plug Assembly	1
5	22-02324-11	Bushing	4
6	66U1-9782	Cable, Power, 10/4	A/R

<b>1.33 VOLTAGE CABLES (Continued)</b>			
<b>Item</b>	<b>Part Number</b>	<b>Description</b>	<b>Qty</b>
<b>OPTION 4</b>			
4	22-01932-00	Plug Assembly	1
5	22-02324-05	Bushing	4
6	66U1-9782	Cable, Power, 10/4	A/R
<b>OPTION 5</b>			
4	22-02378-00	Plug Assembly	1
5	22-02324-01	Bushing	4
6	66U1-9782	Cable, Power, 10/4	A/R
<b>OPTION 6</b>			
4	22-02232-01	Plug Assembly	1
5	22-02324-11	Bushing	4
6	66U1-9782	Cable, Power, 10/4	A/R
<b>230V CABLES</b>			
<b>STANDARD PARTS FOR ALL 230V CABLES</b>			
1	66U1-2583-13	Heat Shrink Tube	1
3	22-02324-02	Bushing (Used with 8 AWG)	8
5	22-00872-02	Terminal, Ring, #8, 1/4 Stud	4
6	66U1-9782-1	Cable, Power - Black, 35 Amps, 8 AWG	A/R
<b>OPTION 1</b>			
4	22-02188-00	Plug Assembly	1
<b>OPTION 2</b>			
4	22-02375-00	Plug Assembly	1
<b>OPTION 3</b>			
4	66U1-6782-3	Plug Assembly	1
<b>OPTION 4</b>			
4	22-01744-00	Plug Assembly	1
<b>OPTION 5</b>			
4	22-02322-00	Plug Assembly	1
<b>OPTION 6</b>			
4	22-01884-00	Plug Assembly	1
<b>OPTION 7</b>			
4	66U1-6782	Plug Assembly	1
<b>OPTION 8</b>			
4	22-01927-00	Plug Assembly	1
<b>OPTION 9</b>			
4	22-01906-00	Plug Assembly	1
<b>OPTION 10</b>			
4	22-01906-00	Plug Assembly	1
<b>OPTION 11</b>			
4	66U1-8292-3	Insulating Cap	4

1.34 CABLE GUARDS

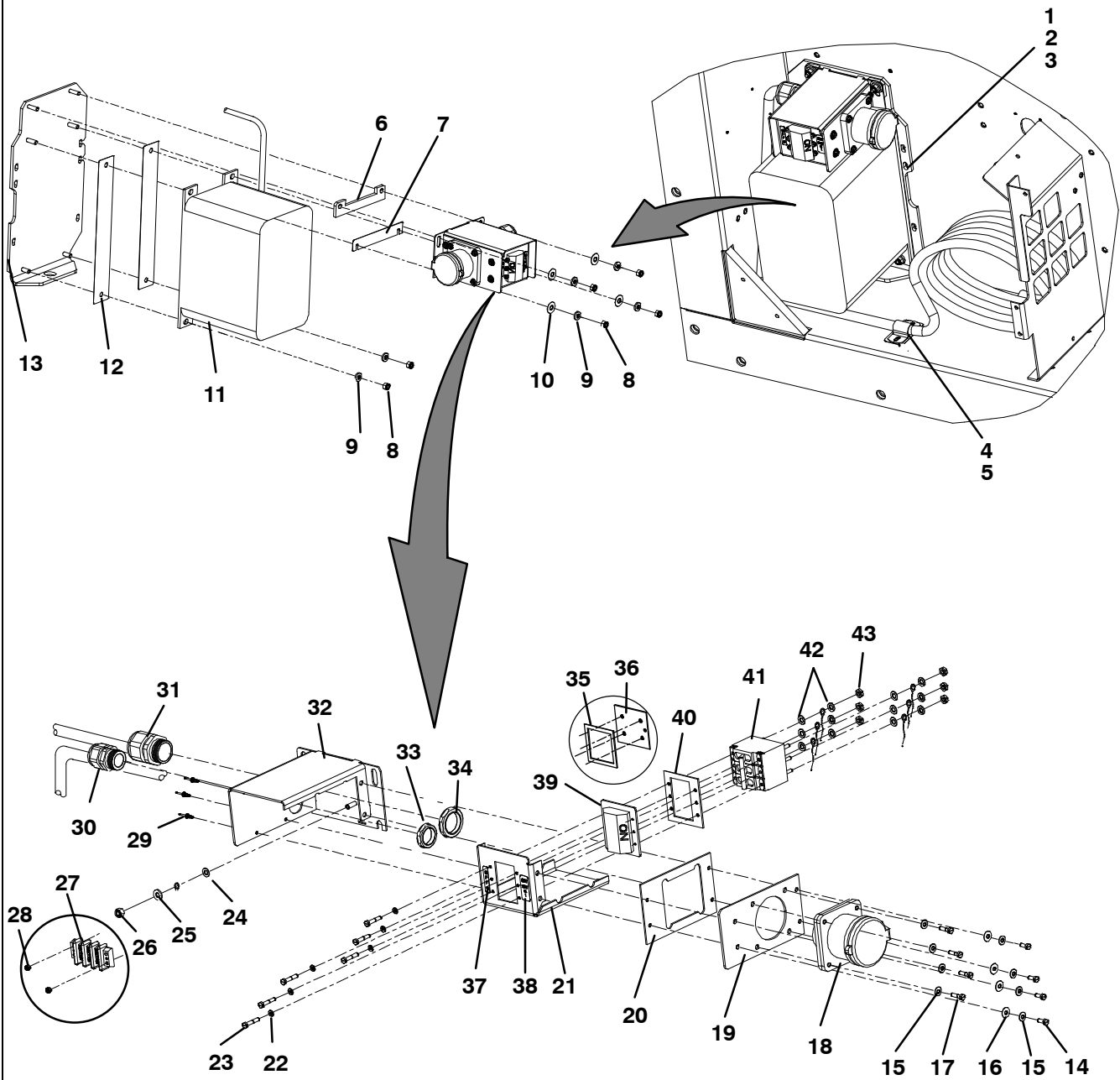


ITEM 16 REMOVED FOR CLARITY

**1.34 CABLE GUARDS (Continued)**

Item	Part Number	Description	Qty
<b>STANDARD PARTS INCLUDED IN OPTIONS</b>			
1	58-04316-00	Base, Mounting, 0.250 Inch Diameter Mounting Hole	1
2	66U1-3882	Wire Tie, 1/16-1-3/4, Self-Locking	1
3	34-06136-01	Nut, Lock, 3/4 Inch NPT	1
4	66U1-1251-2	O-Ring, 3/4 Hub Sealing	1
5	66U1-5321-7	Washer, Plain, 1/4 W, Type A	12
6	34-06053-00	Washer, 0.250 ID X 0.800 OD	10
7	66U1-5361-11	Screw, Captive, Hex Head, 1/4-20 X 1.50	2
8	34-00667-11	Nut, Self-Locking, 1/4-20	2
9	66U1-5361-25	Screw, Captive, Hex Head, 1/4-20 X 0.75	9
10	69NT35-2692-1	Washer, Fender, 1/4-0.993-1.015 OD	1
11	34-06053-03	Washer, 0.250 ID X 1.000 OD	1
12	66U1-5371-6	Screw, Machine, Hex Head, #10-24 X 0.750 Slotted	2
13	66U1-5321-8	Washer, Plain, #10 Type A	2
14	34-06053-05	Washer 0.205 ID X 0.600 OD	2
15	58-04026-07	Protector, 1.63 X 3.00 Inches Long	1
<b>OPTION 1 - 460V CABLE, STANDARD GUARD</b>			
<b>See Previous Section for Standard Parts and use with Items Below:</b>			
16	68-15411-00	Guard, White, 0.080 Thick Aluminum	1
	68-15411-01	Guard, Orange, 0.080 Thick Aluminum	1
17	68-14456-00	Cable Clamp, Cable Cutter, 16 Gage	1
18	66U1-7352	Connector, Straight, Watertight	1
<b>OPTION 2 - TRANSICORD, STANDARD GUARD</b>			
<b>See Previous Section for Standard Parts and use with Items Below:</b>			
16	68-15411-00	Guard, White, 0.080 Thick Aluminum	1
17	68-14456-01	Cable Clamp, Cable Cutter, 16 Gage	1
19	66U1-7352-3	Connector, Straight, Watertight	1

# 1.35 AUTOTRANSFORMER





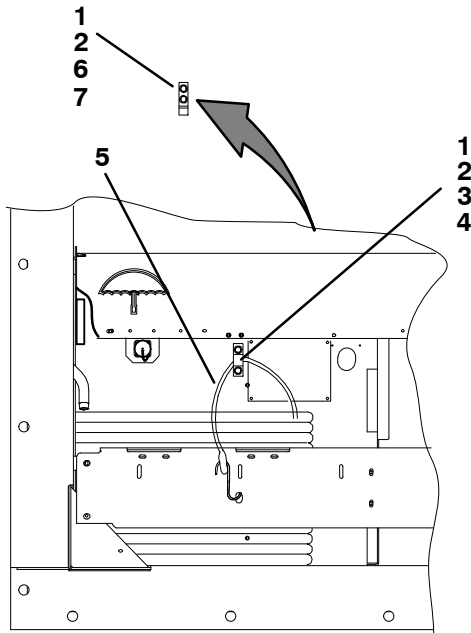
<b>1.35 AUTOTRANSFORMER (Continued)</b>			
<b>Item</b>	<b>Part Number</b>	<b>Description</b>	<b>Qty</b>
<b>STANDARD PARTS INCLUDED IN OPTIONS</b>			
1	66U1-5321-7	Washer, Plain, 1/4 W Type A	7
2	34-06053-00	Washer, Mylar, 0.250 ID X 0.800 OD	5
3	AA06JA170	Screw, Hex Head, 1/4-20 X 1.00	7
4	58-04026-07	Protector, Mylar	1
5	68-14456-02	Cable Cutter	1
<b>OPTION 1 - AUTOTRANSFORMER WITHOUT CB2</b>			
<b>See Previous Section for Standard Parts and use with Item Below</b>			
-	76-00667-07	Transformer Kit, Field Installation, <b>Without CB2</b> - Includes:	1
6	58-04026-25	Protector, 1.00 X 6.62, With Two Slots	1
7	69NT35-2086	Spacer, 0.25 Thick Aluminum	1
8	34-00667-12	Nut, Self-Locking, 5/16-18	6
9	34-01181-01	Washer, Flat 0.320/0.330 ID	6
10	34-06053-02	Washer, 0.375 ID X 1.000 OD	4
11	69NT40-914-4	Transformer Assembly	1
12	58-04026-17	Protector, 2.00 X 13.0 With Two Holes	2
13	69NT43-374	Bracket Assembly DV Transformer Module	1
14	66U1-5371-7	Screw, Machine, Hex Head, #10-24 X 0.500 Slotted	4
15	66U1-5321-8	Washer, Plain #10 Type A	8
16	34-06053-05	Washer 0.205 ID X 0.600 OD	4
17	66U1-5371-6	Screw, Machine, Hex Head, #10-24 X 0.750 Slotted	4
18	22-01679-00	Receptacle 32 Amp/Bryant	1
19	69NT41-892	Cover Assembly Transformer Module, Receptacle	1
20	42-00328-00	Gasket, 0.094 Thick X 3.60 X 5.74	1
21	69NT43-282	Box Assembly Transformer Module, CB2	1
22	34-06053-10	Washer 0.138 ID X 0.343 OD	4
23	66U2-1531-3	Screw, Machine, Round Head #6-32 X 0.375 Inches Long SS	4
24	AU27JR171	Washer, Lock, 1/4 Ext Tooth	1
25	66U1-5321-3	Washer, Plain, 1/4 N Type A	1
26	34-00667-11	Nut, Self-Locking, 1/4-20	1
27	22-01778-00	Terminal, Block Three Terminal	1
28	34-00795-09	Nut, Self-Locking, 10-32	2
29	34-00928-02	Rivet, Blind, 0.125 Inch Diameter 0.126-0.187	3
30	22-02319-05	Connector, Straight, 3/4 Hub	1
31	22-02319-06	Connector, Straight, 0.590/1.00 Inch Diameter	1
32	69NT43-270-1	Box Assembly, Weld DV Transformer Module	1
33	34-06136-01	Nut, Lock, 3/4 NPT	1
34	34-06136-02	Nut, Lock, 1.00 NPT	1
35	42-00366-00	Gasket, 0.094 Thick, 3.20 X 3.200	1
36	68-13832-00	Plate Assembly, 0.090 Thick Aluminum	1

**1.35 AUTOTRANSFORMER (Continued)**

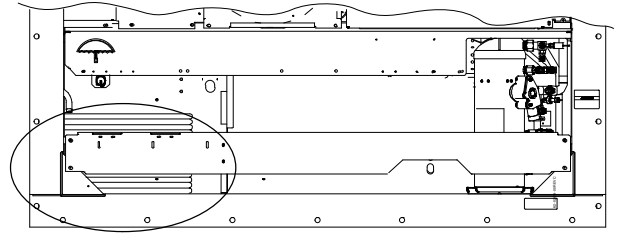
Item	Part Number	Description	Qty
<b>OPTION 2 – AUTOTRANSFORMER WITH CB2</b>			
<b>See Previous Page for Standard Parts and use with Items Below</b>			
-	76-00667-03	Transformer Kit, Field Installation, <b>With CB2</b> – Includes:	1
6	58-04026-25	Protector 1.00 X 6.62, With Two Slots	1
7	69NT35-2086	Spacer, 0.25 Thick Aluminum	1
8	34-00667-12	Nut, Self-Locking, 5/16-18	6
9	34-01181-01	Washer, Flat 0.320/0.330 ID	6
10	34-06053-02	Washer, 0.375 ID X 1.000 OD	4
11	69NT40-914-4	Transformer Assembly	1
12	58-04026-17	Protector, 2.00 X 13.0, With Two Holes	2
13	69NT43-374	Bracket Assembly DV Transformer Module	1
14	66U1-5371-7	Screw, Machine, Hex Head, #10-24 X 0.500 Slotted	4
15	66U1-5321-8	Washer, Plain #10 Type A	8
16	34-06053-05	Washer 0.205 ID X 0.600 OD	4
17	66U1-5371-6	Screw, Machine, Hex Head, #10-24 X 0.750 Slotted	4
18	22-01679-00	Receptacle 32 Amp/Bryant	1
19	69NT41-892	Cover Assembly Transformer Module, Receptacle	1
20	42-00328-00	Gasket, 0.094 Thick X 3.60 X 5.74	1
21	69NT43-282	Box Assembly, Transformer Module, CB2	1
22	34-06053-10	Washer, 0.138 ID X 0.343 OD	6
23	66U2-1531-3	Screw, Machine, Round Head, #6-32 X 0.375 Inches Long, SST	6
24	AU27JR171	Washer, Lock 1/4 Ext Tooth	1
25	66U1-5321-3	Washer, Plain 1/4 N Type A	1
26	34-00667-11	Nut, Self-Locking, 1/4-20	1
29	34-00928-02	Rivet, Blind, 0.125 Inch Diameter, 0.126-0.187	3
30	22-02319-05	Connector, Straight, 3/4 Hub	1
31	22-02319-06	Connector, Straight, 0.590/1.00 Inch Diameter	1
32	69NT43-270	Box Assembly, Weld DV Transformer Module	1
33	34-06136-01	Nut, Lock, 3/4 NPT	1
34	34-06136-02	Nut, Lock, 1.00 NPT	1
37	69NT35-1076	Label, On/Off (0.35 X 1.55)	1
38	69NT35-1076-1	Label, CB2, 230V On/Off	1
39	66U2-1531-1	Boot, 2.66 X 2.97, Black	1
40	68-13961-00	Boot, Frame, 0.090 Thick Aluminum	1
41	10-00083-06	Circuit Breaker, 70A-250 VAC-50/60Hz	1
42	10-00083-07	Nut, Hex, 1/4-20	6
43	10-00083-08	Washer, Flat, 1/4 (Circuit Breaker)	12

**1.36 CABLE RESTRAINT COMPONENTS**

**OPTION 3 - J-HOOK**



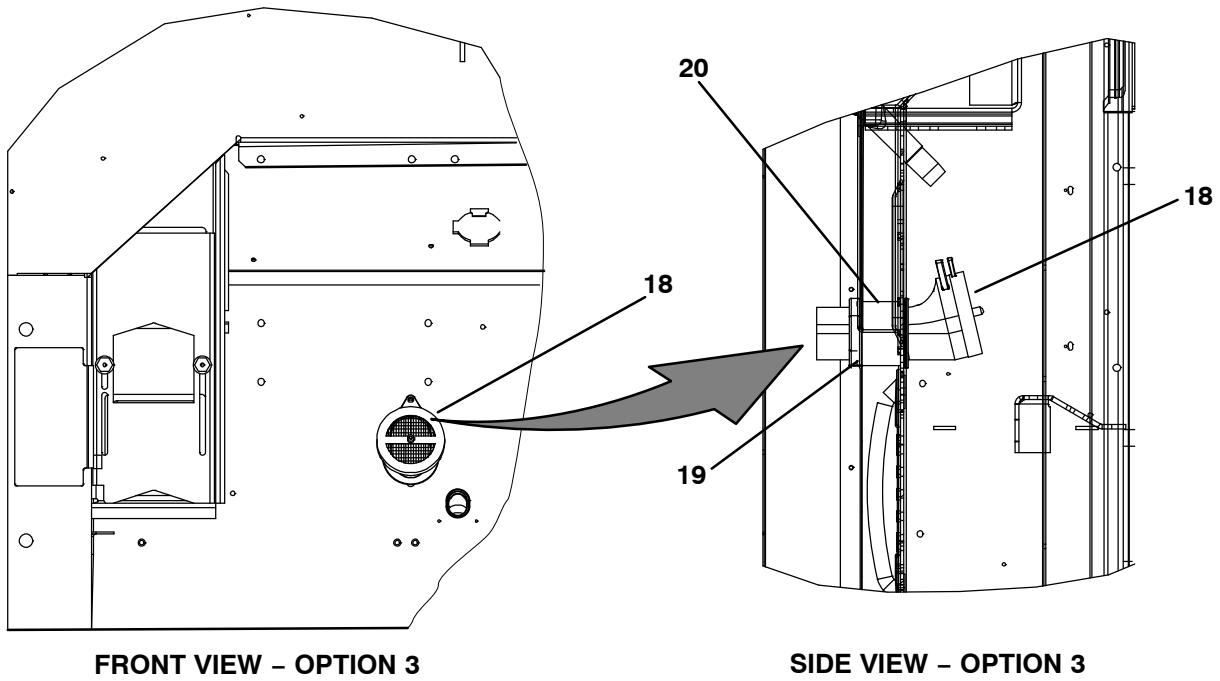
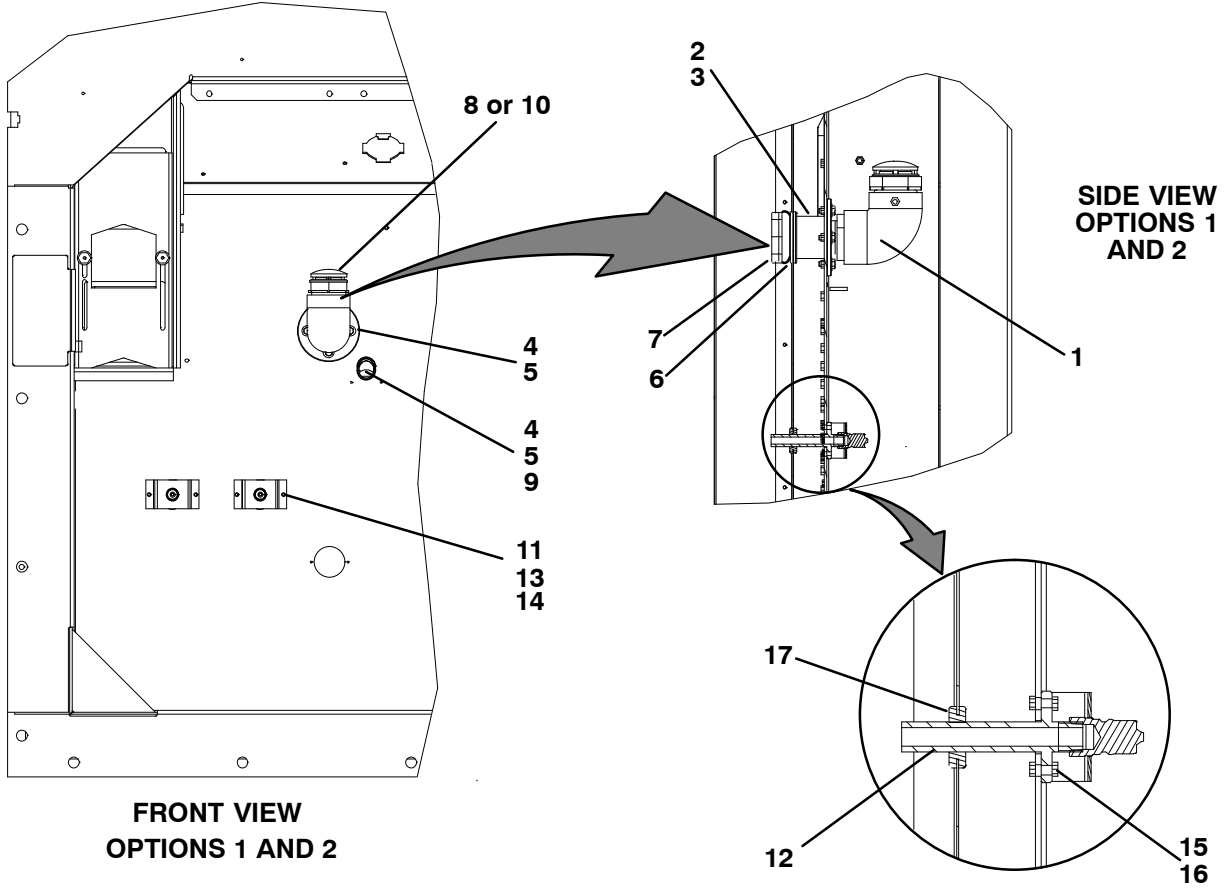
**OPTION 2 - LEFT SIDE BUNGEE CORD**



**OPTION R - DUMMY RECEPTACLE**

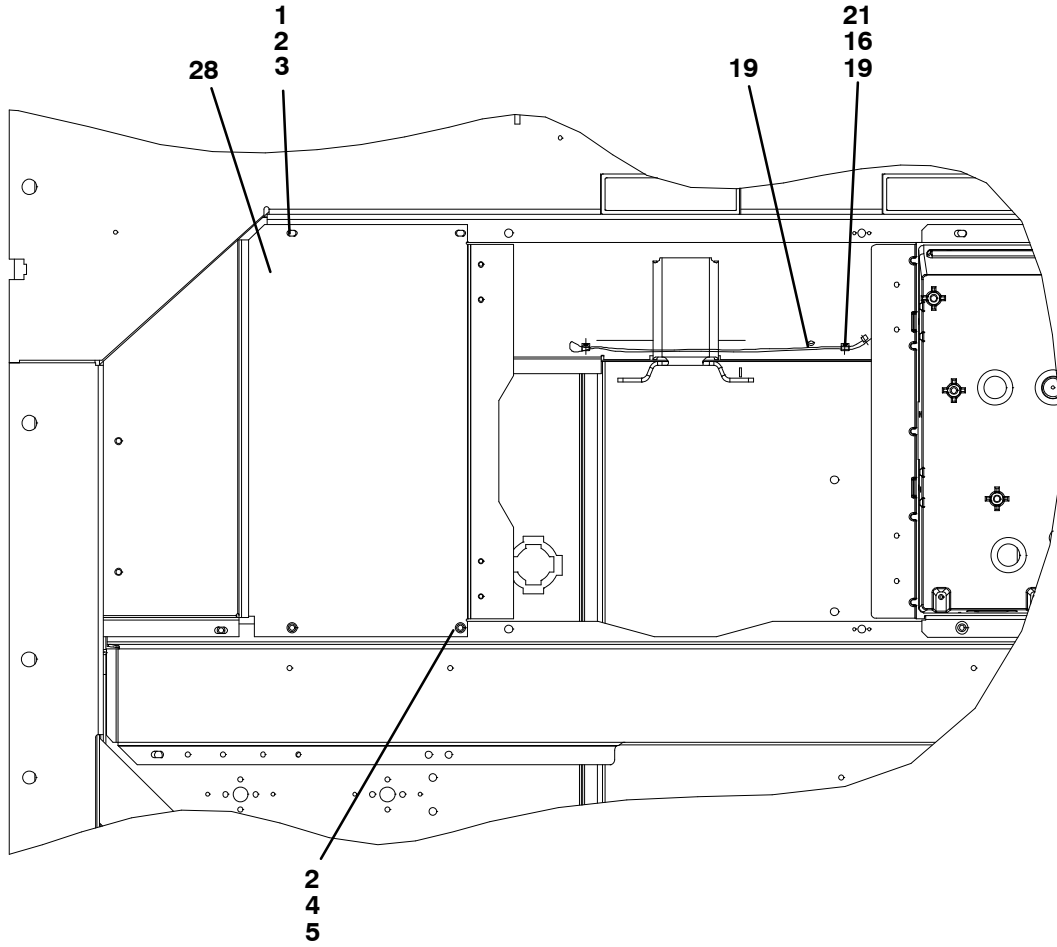
Item	Part Number	Description	Qty
<b>OPTION P - DOOR OR LEFT SIDE BUNGEE CORD PROVISIONING</b>			
1	66U1-5321-7	Washer, Flat, 1/4, SST	2
2	66U1-5361-25	Screw, Captive, Hex Head, 1/4-20 X 0.75 Inches Long, SST	2
3	34-06053-03	Washer, Mylar, 0.25 ID X 1.00 OD	2
<b>OPTION 2 - LEFT SIDE BUNGEE CORD ONLY</b>			
1	66U1-5321-7	Washer, Flat, 1/4, SST	2
2	66U1-5361-25	Screw, Captive, Hex Head, 1/4-20 X 0.75 Inches Long, SST	2
3	34-06053-03	Washer, Mylar, 0.25 ID X 1.00 OD	2
4	69NT35-5992	Cable Restraint, SST	1
5	66U1-2603	Strap, Tie Down	1
<b>OPTION 3 - J-HOOK</b>			
1	66U1-5321-7	Washer, Flat, 1/4, SST	2
2	66U1-5361-25	Screw, Captive, Hex Head, 1/4-20 X 0.75 Inches Long, SST	2
6	69NT35-8382	Cable Restraint, J-Hook	1
7	58-04026-22	Protector, Mylar	1
<b>OPTION R - DUMMY RECEPTACLE</b>			
8	22-01679-03	Receptacle	1
9	66U1-5321-7	Washer, Flat, 1/4, SST	2
10	66U1-5361-25	Screw, Captive, Hex Head, 1/4-20 X 0.75 Inches Long, SST	2
11	34-06053-03	Washer, Mylar, 0.25 ID X 1.00 OD	2
12	66U1-5321-8	Washer, Flat, #10 SST	4
13	66U1-5371-6	Screw, Captive, Hex Head, 10-24 X 0.75 Inches Long, SST	4

**1.37 VACUUM RELIEF VALVE**



<b>1.37 VACUUM RELIEF VALVE (Continued)</b>			
<b>Item</b>	<b>Part Number</b>	<b>Description</b>	<b>Qty</b>
<b>STANDARD PARTS FOR OPTIONS</b>			
1	58-04127-06	Elbow, Schedule 80	1
2	58-04127-00	Tube, Flanged, Plastic	1
3	58-04127-07	Collar	1
4	66U1-5321-7	Washer, Plain, 1/4	A/R
5	66U1-5361-25	Screw, Hex Head, 1/4-20 X 0.75	A/R
6	58-00065-72	Grommet	1
7	58-04127-05	Coupling, Schedule 80	1
<b>OPTION 1 - VACUUM RELIEF VALVE</b>			
<b>See Previous Section for Standard Parts and use with Items Below:</b>			
8	40-66615-00	Valve, Vacuum Relief	1
9	34-06053-00	Washer, Plain, 0.25 ID X 0.80 OD	8
<b>OPTION 2 - WITH NITROGEN-FED CONTROLLED ATMOSPHERE</b>			
<b>See Previous Section for Standard Parts and use with Items Below:</b>			
10	58-04127-03	Valve, Pressure Relief	1
11	58-00989-03	Mylar Protector	4
12	58-04170-01	Tube Assembly, Nitrogen Feed	2
13	69NT35-8012	Bracket, 14 Gauge, SST 2B	2
14	34-00928-13	Rivet, Blind, 0.187 Inch Diameter, 0.126-0.250	4
15	66U1-5321-8	Washer, #10	4
16	66U1-5371-10	Screw, Machine, Hex Head, Slotted #10-24 X 1.00	4
17	58-00065-71	Grommet, Nitrogen Atmosphere	2
<b>OPTION 3 - VACUUM RELIEF VALVE, CUSTOMER SPECIFIC</b>			
<b>See Previous Section for Standard Parts and use with Items Below:</b>			
18	40-66616-00	Valve, Vacuum Relief, Customer Specific	1
19	42-66617-00	Seal	1
20	58-66635-00	Collar	1

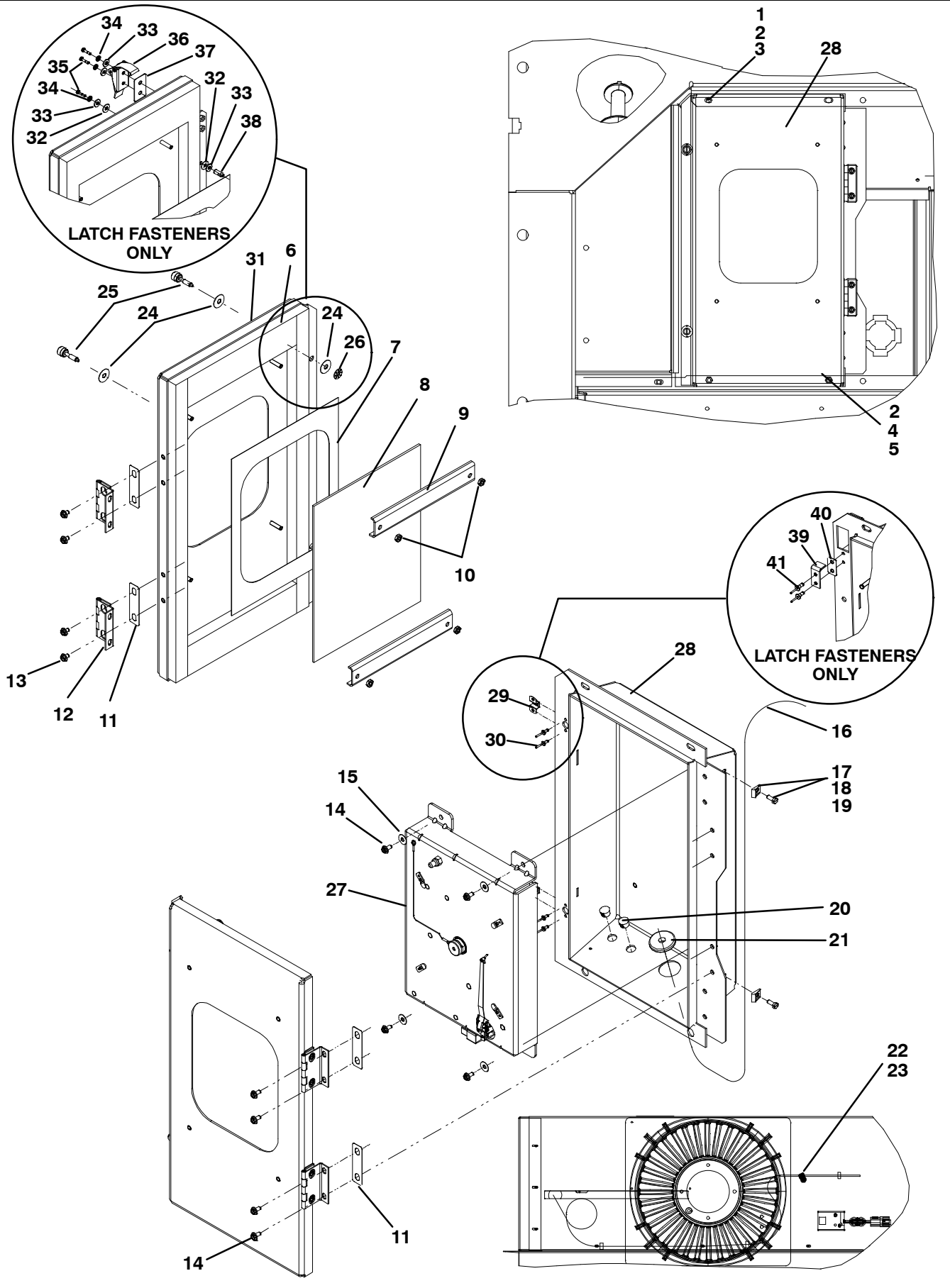
1.38 OPTION 9 AND OPTION P – ELECTRONIC PARTLOW TEMPERATURE RECORDER



**1.38 OPTION 9 AND OPTION P – ELECTRONIC PARTLOW TEMPERATURE RECORDER (Continued)**

<b>Item</b>	<b>Part Number</b>	<b>Description</b>	<b>Qty</b>
<b>OPTION 9 – NO TEMPERATURE RECORDER</b>			
1	66U1-5321-7	Washer, Flat, 1/4, SST	2
2	66U1-5361-25	Screw, Captive Hex Head, 1/4-20 X 0.75 Long, SST	4
3	34-06053-13	Washer, Retaining, 0.195 ID X 0.80 OD, Mylar	2
4	69NT35-2692-1	Washer, Fender, 1/4 ID X 0.993-1.015 OD	2
5	34-06053-03	Washer, 0.25 ID X 1.00 OD, Mylar	2
28	68-12658-01	Recorder Cover, <b>Blue, Standard</b>	1
	68-12658-20	Recorder Cover, White	1
	68-12658-04	Recorder Cover, Orange	1
	68-12658-03	Recorder Cover, <b>Blue, Customer Specific</b>	1
<b>OPTION P – TEMPERATURE RECORDER PROVISION</b>			
1	66U1-5321-7	Washer, Flat, 1/4, SST	2
2	66U1-5361-25	Screw, Captive Hex Head, 1/4-20 X 0.75 Long, SST	4
3	34-06053-13	Washer, Retaining, 0.195 ID X 0.80 OD, Mylar	2
4	69NT35-2692-1	Washer, Fender, 1/4 ID X 0.993-1.015 OD	2
5	34-06053-03	Washer, 0.25 ID X 1.00 OD, Mylar	2
16	22-01713-16	Harness ML3, E-Record Connection	1
19	66U1-3882	Wire Tie 1/16-1-3/4, Self-Locking	4
21	22-01713-18	Harness, E-Record Connection	2
28	68-12658-01	Recorder Cover, <b>Blue, Standard</b>	1
	68-12658-20	Recorder Cover, White	1
	68-12658-03	Recorder Cover, <b>Blue, Customer Specific</b>	1

1.39 OPTION PS, OPTION 12 AND OPTION 13 – ELECTRONIC PARTLOW TEMPERATURE RECORDER





<b>1.39 OPTION PS, OPTION 12 AND OPTION 13 – ELECTRONIC PARTLOW TEMPERATURE RECORDER (Continued)</b>			
<b>Item</b>	<b>Part Number</b>	<b>Description</b>	<b>Qty</b>
<b>OPTION PS – TEMPERATURE RECORDER PROVISION, RECORDER BOX AND COVER ONLY, CUSTOMER SPECIFIC</b>			
24	34-06053-00	Washer 0.250 ID X 0.800 OD	4
25	66U1-6811-8	Screw, Retaining 0.300-0.625 Panel	2
26	34-06169-00	Washer, Retaining 0.185 ID X 0.62 OD	2
28	86-04217-02	Box Assembly, Welded (Universal)	1
29	34-01142-01	Receptacle #12 Saddle Type	2
30	34-00928-01	Rivet, Blind 0.125 Diameter 0.063-0.125	4
31	69NT43-256	Door Assembly	1
<b>STANDARD PARTS FOR OPTIONS 12 AND 13</b>			
1	66U1-5321-7	Washer, Plain 1/4 W Type A	2
2	66U1-5361-25	Screw, Captive Hex Head 1/4-20 X 0.75	4
3	34-06053-13	Washer, Retaining 0.19 ID X 0.80 OD (0.250)	2
4	69NT35-2692-1	Washer, Fender 1/4-0.993-1.015 OD	2
5	34-06053-03	Washer 0.250 ID X 1.000 OD	2
6	42-01098-01	Gasket, Door 0.68 X 10.43 X 20.23	1
7	69NT35-5352-1	Foam, Double Coated 0.03 X 8.37 X 10.63	1
8	69NT35-5022-5	Window 0.12 X 8.37 X 10.63	1
9	68-13724-00	Bracket, Mtg Window, 0.090 Thick Aluminum	2
10	34-00795-09	Nut, Self Lock 10-32	4
11	58-04101-07	Protector 0.010 Thick X 0.75 X 2.63	4
12	44-00374-00	Hinge Recorder Door	2
13	34-06179-04	Screw, Hex Head Sems #10-24 X 5/16	4
14	34-06179-00	Screw, Hex Head Sems #10-24 X 7/16	8
15	34-06053-05	Washer 0.205 ID X 0.600 OD	4
16	22-01713-16	Harness ML3; E-Record	1
17	58-04246-00	Ty-Rap Base (#10) Mounting Tab	2
18	66U1-5371-7	Screw, Machined Hex Head #10-24 X 0.500 Slotted	4
19	66U1-3882	Wire Tie 1/16-1-3/4 Self-Locking	4
20	58-00616-02	Plug, Hole 0.50 Diameter X 0.12 Panel	2
21	58-00065-77	Grommet 0.38 ID X 1.25 OD	1
<b>OPTION 12 – SPECIAL TEMPERATURE RECORDER INSTALLED</b>			
<b>See Previous Section for Standard Parts and use with Items Below</b>			
-	76-00701-10 <b>OPTION 12</b>	Partlow Recorder Kit, Special – Includes: Recorder, Box and Door Assemblies	1
22	34-00663-09	Washer, Lock #10 Spring	1
23	34-06051-32	Rivnut	3
24	34-06053-00	Washer 0.250 ID X 0.800 OD	4
25	66U1-6811-8	Screw, Retaining 0.300-0.625 Panel	2
26	34-06169-00	Washer, Retaining 0.185 ID X 0.62 OD	2
27	12-00464-07	Recorder, Temp Electronic Partlow	1
28	86-04217-02	Box Assembly, Welded (Universal)	1
29	34-01142-01	Receptacle #12 Saddle Type	2
30	34-00928-01	Rivet, Blind 0.125 Diameter 0.063-0.125	4
31	69NT43-256	Door Assembly	1

**1.39 OPTION PS, OPTION 12 AND OPTION 13 – ELECTRONIC PARTLOW TEMPERATURE RECORDER (Continued)**

Item	Part Number	Description	Qty
------	-------------	-------------	-----

**OPTION 13 – STANDARD TEMPERATURE RECORDER INSTALLED**

**See Previous Page for Standard Parts and use with Items Below**

-	76-00701-11 <b>OPTION 13</b>	Partlow Recorder Kit, Standard – Includes: Recorder, Box & Door Assemblies	1
24	34-06053-00	Washer 0.250 ID X 0.800 OD	4
25	66U1-6811-8	Screw, Retaining 0.300-0.625 Panel	2
26	34-06169-00	Washer, Retaining 0.185 ID X 0.62 OD	2
27	12-00464-08	Recorder, Temp Electronic Partlow (Standard)	1
28	86-04217-01	Box Assembly, Welded	1
29	34-01142-01	Receptacle #12, Saddle Type	2
30	34-00928-01	Rivet, Blind 0.125 Inch Diameter, 0.063-0.125	4
31	69NT43-256	Door Assembly	1

**OPTION 13 – STANDARD TEMPERATURE RECORDER INSTALLED, WITH WING SCREWS**

**See Previous Page for Standard Parts and use with Items Below**

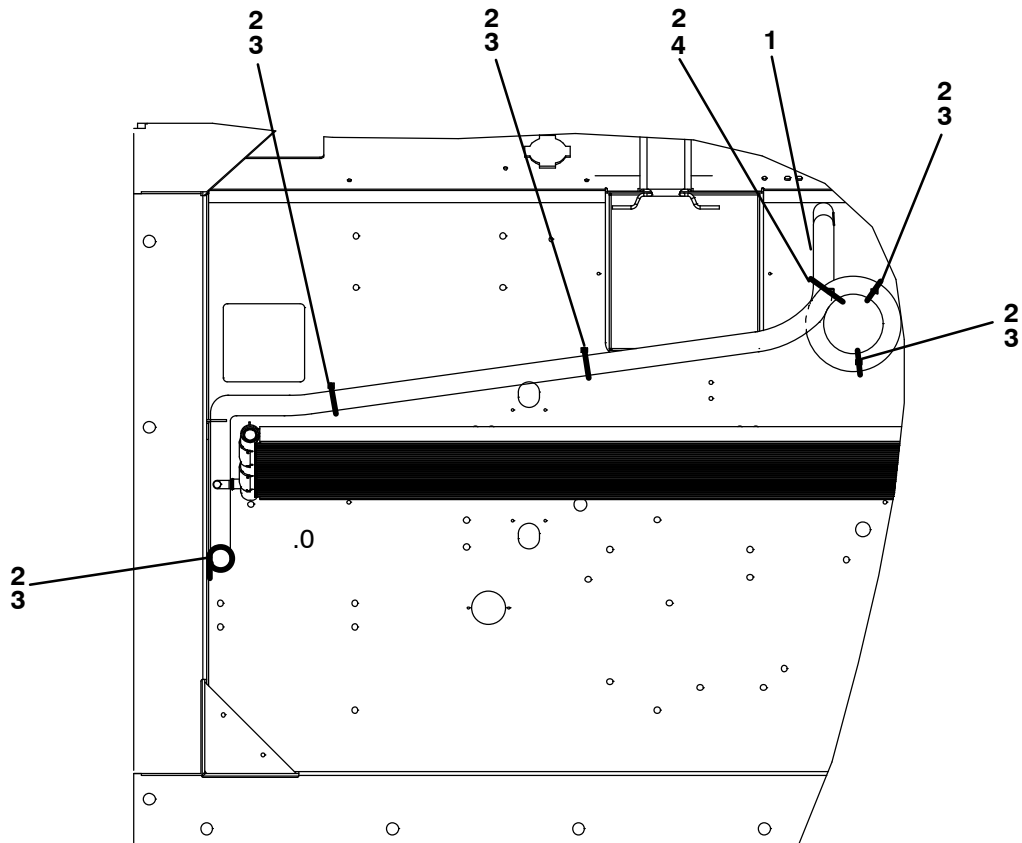
-	76-00701-11 <b>OPTION 13</b>	Partlow Recorder Kit, Standard – Includes: Recorder, Box & Door Assemblies	1
24	34-06053-00	Washer 0.250 ID X 0.800 OD	4
25	66U1-6811-16	Screw, Retaining 0.300-0.625 Panel (Wing)	2
26	34-06169-00	Washer, Retaining 0.185 ID X 0.62 OD	2
27	12-00464-08	Recorder, Temp Electronic Partlow (Standard)	1
28	86-04217-01	Box Assembly, Welded	1
29	34-01142-01	Receptacle #12 Saddle Type	2
30	34-00928-01	Rivet, Blind 0.125 Inch Diameter 0.063-0.125	4
31	69NT43-256	Door Assembly	1

**OPTION 13 – STANDARD TEMPERATURE RECORDER INSTALLED, WITH LATCH FASTENERS**

**See Previous Page for Standard Parts and use with Items Below**

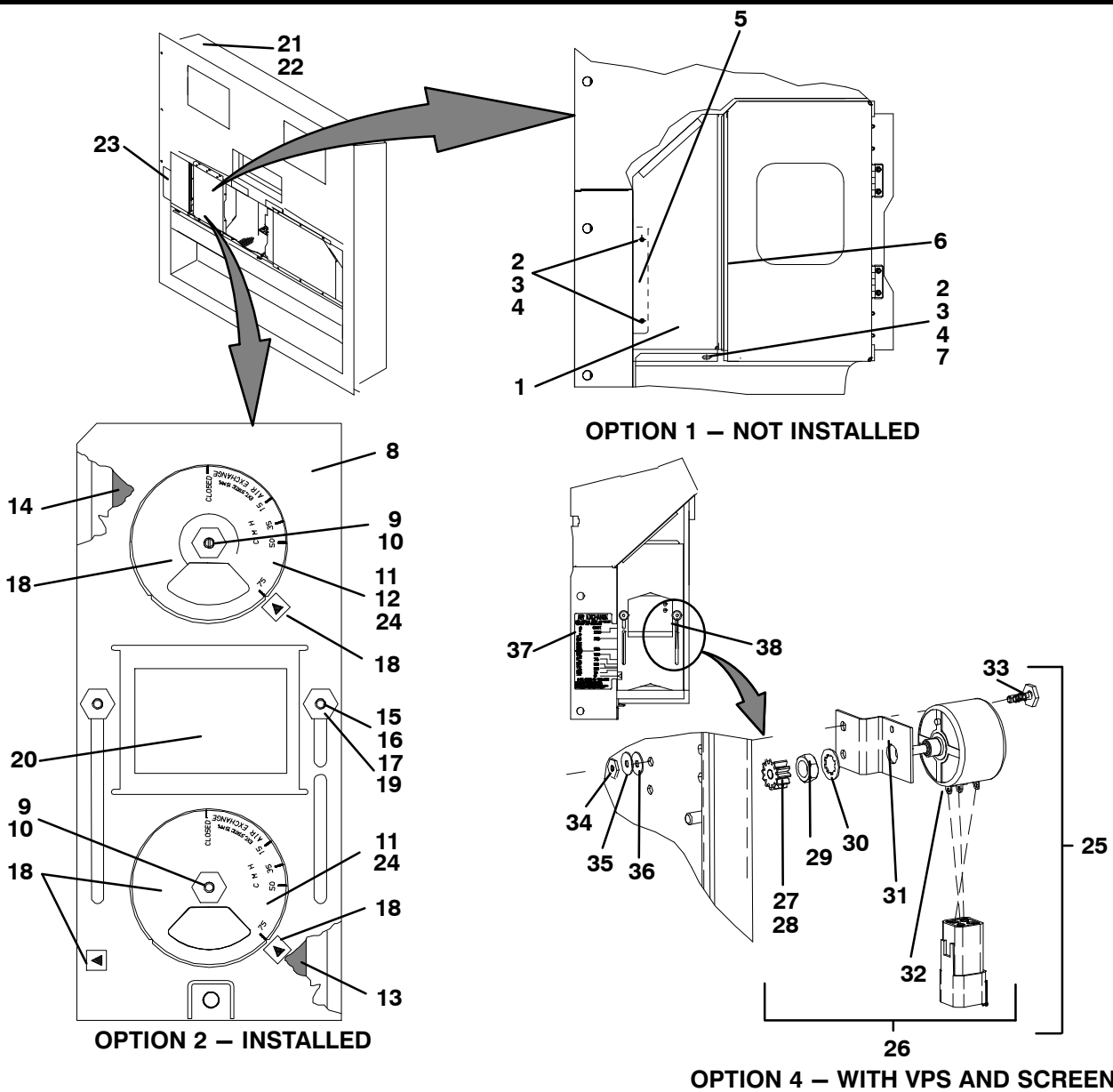
-	76-00701-11 <b>OPTION 7</b>	Partlow Recorder Kit, Standard – Includes: Recorder, Box & Door Assemblies	1
27	12-00464-08	Recorder, Temperature Electronic Partlow	1
28	86-04217-03	Box Assembly Welded (Universal)	1
32	34-06053-14	Washer, Retaining 0.165 ID X 0.500 OD	2
33	66U1-5321-2	Washer, Plain #8 Type A	6
34	34-00663-08	Washer, Lock #8 Spring	5
35	34-66635-00	Screw, Machined Pinhead #8-32 X 0.375 Long	5
36	44-66605-00	Latch	2
37	58-04026-74	Protector Latch	2
38	48-66611-00	Pin, Guide Machined	1
39	68-86032-00	Keeper Recorder	2
40	58-04026-73	Protector Electronic, Latch	2
41	34-00928-09	Rivet, Blind 0.156 Inch Diameter 0.126-0.250	4

**1.40 DRAIN**



Item	Part Number	Description	Qty
1	58-04539-05	Tube, Flexible, 82 Inches Long	1
2	58-04316-00	Base, Mounting	7
3	66U1-3882	Wire Tie, 1/16, 1-3/4 Self-Locking	6
4	58-00969-00	Wire Tie, 2.80 Inch Diameter, Double Loop	1

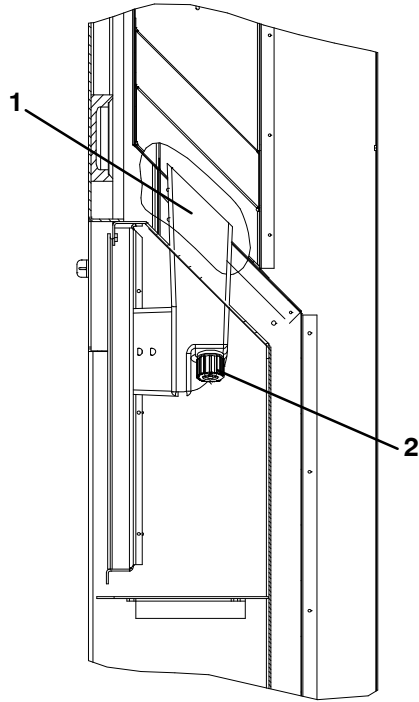
### 1.41 LOWER FRESH AIR MAKE-UP



Item	Part Number	Description	Qty
<b>OPTION 1 - LOWER FRESH AIR (NONE)</b>			
1	69NT35-4047	Panel, Blank, Blue	1
	69NT35-4047-1	Panel, Blank, Orange	1
	69NT35-4047-20	Panel, Blank, White	1
2	66U1-5361-25	Screw, Hex Head, 1/4-20 X 3/4 Inches Long, SST	3
3	34-06053-18	Washer, Mylar, 1/4 ID X 1.00 OD	3
4	66U1-5321-3	Washer, Flat, 1/4, Type A, SST	3
5	69NT43-307	Bracket, Panel	1
6	42-00465-00	Gasket	1
7	69NT35-2692-1	Washer, Fender 1/4, SST	1
<b>OPTION 2 - INSTALLED</b>			
-	69NT41-852-3	Cover, Fresh Air Makeup - Includes:	1
8	69NT41-257-2	Assembly, Slide	1
9	34-06092-00	Nut, Hex, 1/4-20 UNC-2B, SST	2
10	34-06053-03	Washer, 0.250 ID X 1.000 OD	2

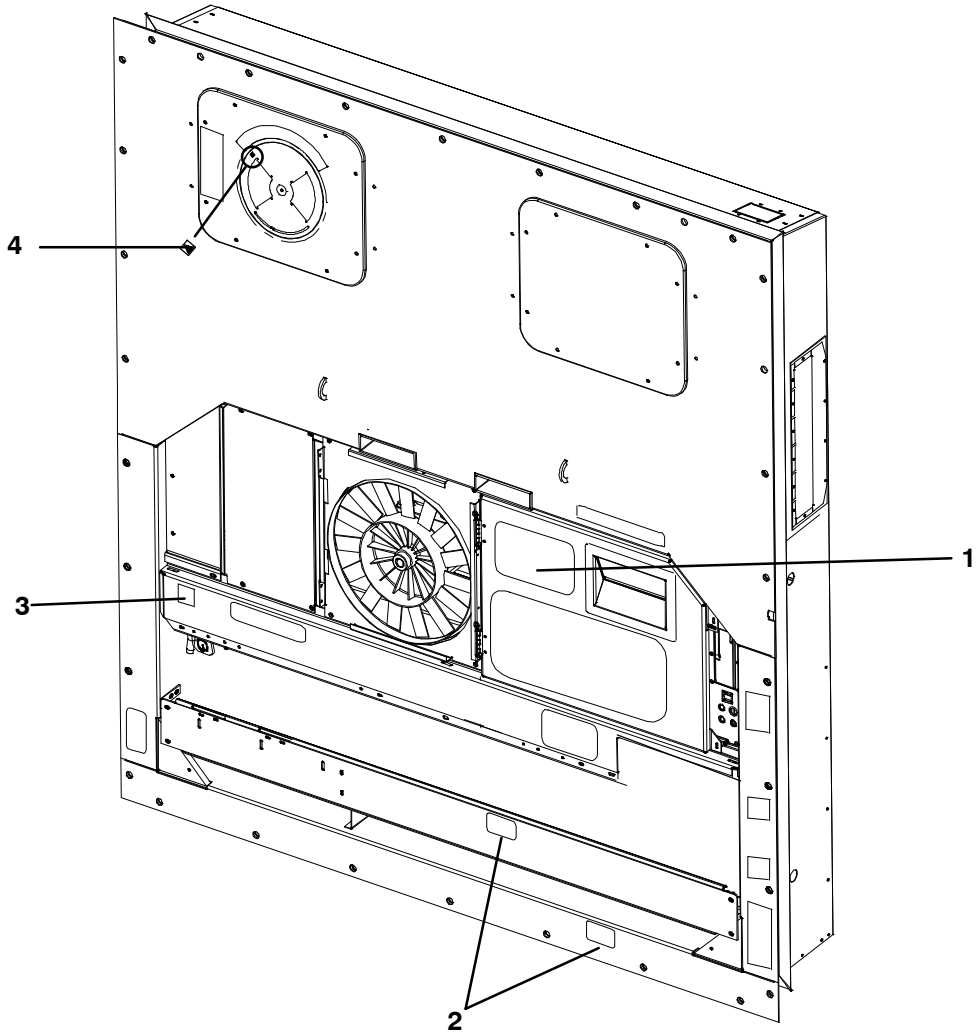
<b>1.41 LOWER FRESH AIR MAKE-UP (Continued)</b>			
<b>Item</b>	<b>Part Number</b>	<b>Description</b>	<b>Qty</b>
-	69NT40-976-3	Cover Assembly, Air Bleed - Includes:	2
11	42-00233-01	Gasket, Air Exchange	2
12	69NT35-6922	Cover, 0.090 Thick Aluminum	2
13	42-00295-01	Gasket, Cover	1
14	42-00295-00	Gasket, Cover	1
15	69NT35-2692-1	Washer, Fender 1/4 - 0.993-1.015 OD	2
16	66U1-5362-1	Nut, Wing, 1/4-20, Type A, SST	2
17	58-00836-19	Spacer, Nylon, 0.50 D X 0.562 Long	2
18	76-50116-03	Label Kit - Includes:	1
	62-10540-04	Label, Air Exchange, CMH - <i>English</i>	2
	66CH1-1002-33	Label, Arrow	3
	76-50116-00	Label Kit - Includes:	1
	69NT35-1417	Label, Air Exchange, CMH - <i>English</i> (Maersk Specification)	2
	66CH1-1002-33	Label, Arrow (Maersk Specification)	3
	76-50116-01	Label Kit - Includes:	1
	69NT35-9238	Label, Air Exchange, CFM - <i>English/Spanish</i>	2
	66CH1-1002-33	Label, Arrow	3
	76-50116-02	Label Kit - Includes:	1
	62-10540-00	Label, Air Exchange, CMH - <i>English/Spanish/Chinese</i>	2
	66CH1-1002-33	Label, Arrow	3
	76-50116-04	Label Kit - Includes:	1
	62-10540-00	Label, Air Exchange, CMH - <i>English/Spanish/Chinese</i> (NYK Specification)	2
62-10381-00	Label, Arrow (NYK Specification)	3	
19	69NT41-782	Bushing	2
20	69NT35-7012	Label, Fresh Air	1
21	69NT35-8348	Baffle, Unpainted	1
22	34-00928-09	Rivet, Blind, 0.156 Inch Diameter, Grip Range - 3/16-1/4	4
23	69NT35-1287-1	Label, Fresh Air Exchange, CMH - <i>English</i> (Maersk Specification)	1
	69NT35-9228	Label, Fresh Air Exchange, CFM - <i>English/Spanish</i>	1
	62-10537-00	Label, Fresh Air Exchange, CMH - <i>English/Japanese/Chinese</i>	1
	62-10381-00	Label, Fresh Air Exchange, CMH - <i>English</i>	1
<b>OPTION 4 - INSTALLED WITH SCREENS AND VPS - USE ALL OF OPTION 2 PLUS ITEM BELOW</b>			
24	58-04263-01	Screen Assembly, Medfly	2
25	76-50136-00	Assembly, Vent Position Sensor - Includes:	1
26	79-01925-00	Sensor Assembly - Includes:	1
27	48-00377-00	Gear, Auto Lower Fresh Air	1
28	34-06262-00	Screw, Set, #8-32 X 0.156 Inches Long	1
29	34-06287-00	Nut, Hex, Jam, 3/ 8-32	1
30	34-06286-00	Washer, Lock 3/ 8-32	1
31	68-14955-00	Bracket, 0.063 Thick, SST	1
32	10-00455-00	Sensor, LVPS, Potentiometer	1
33	66U1-5371-7	Screw, Hex Head, 10-24 X 1/2 SST	2
34	34-00666-09	Nut, Hex, 10-24, UNC-2B, SST	2
35	66U1-5321-8	Washer, Flat, 1/2, Type A- SST	2
36	34-06053-04	Washer, Mylar	2
37	62-10984-00	Label, LVPS, Air Exchange	1
38	79-01934-00	Assembly, Slide	1

**1.42 BULKHEAD PENETRATION – LOWER AIR EXCHANGE**



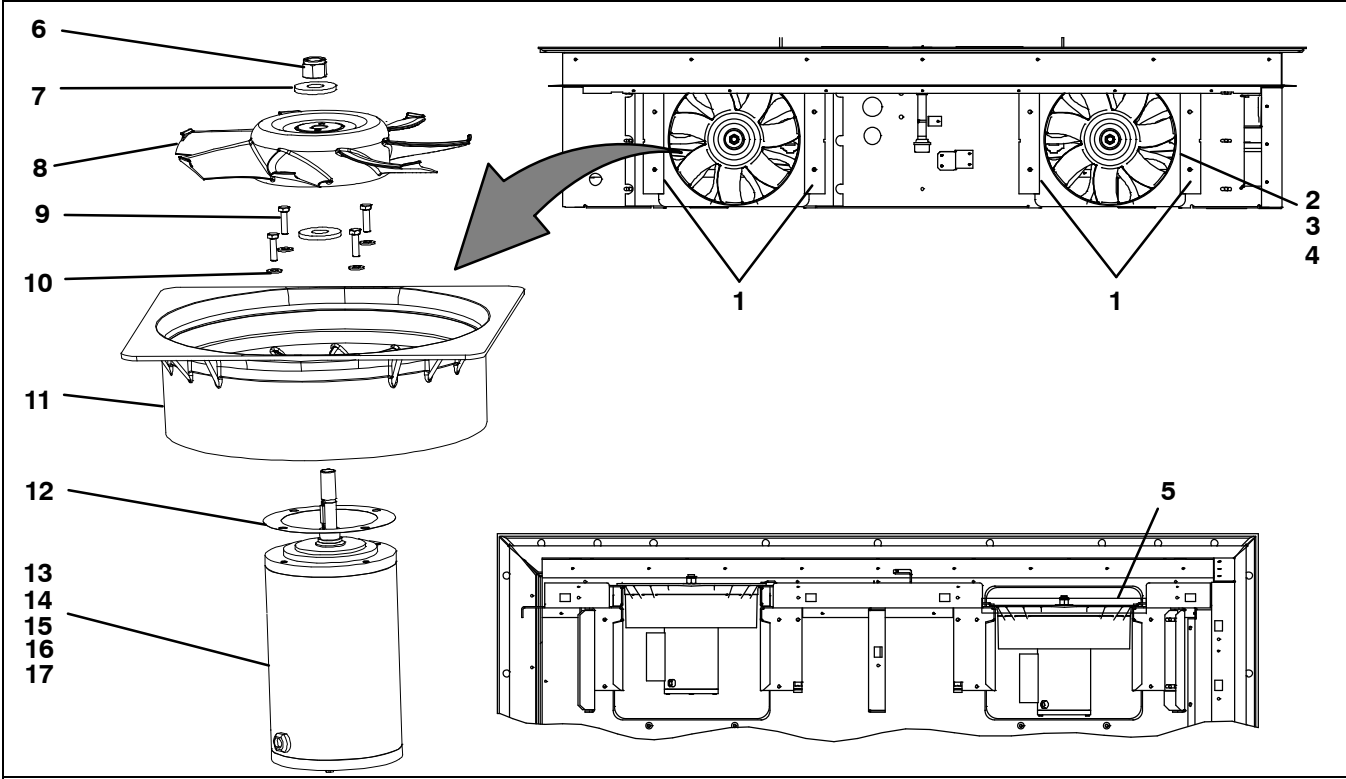
Item	Part Number	Description	Qty
<b>OPTION 2 – STANDARD INSTALLED</b>			
1	58-04162-01	Duct, Elbow, Fresh Air	1
2	69NT35-8258	Disc, 0.040 Thick Aluminum	1

**1.43 LABELS AND DECALS**



Item	Part Number	Description	Qty
<b>OPTION 1 - STANDARD LABELS, ENGLISH</b>			
1	62-10799-04	Label, Function Code - <i>English</i>	1
2	62-11263-02	Label, POE Compressor Oil	1
3	62-11252-00	Label, R-134A	1
4	66CH1-1002-33	Label, ">" (Arrow) (Not Used On All Units)	1

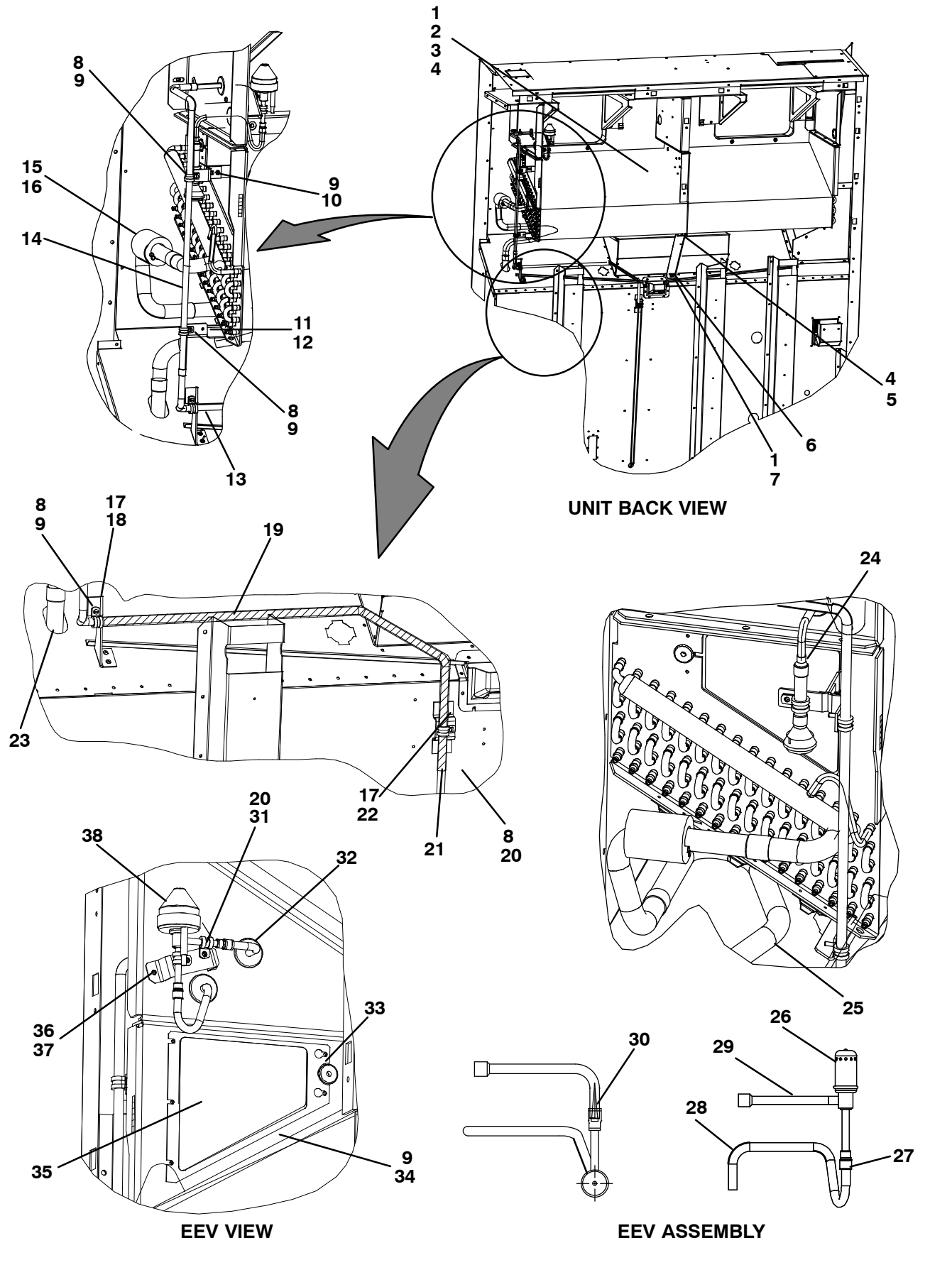
**1.44 EVAPORATOR FAN ASSEMBLY**





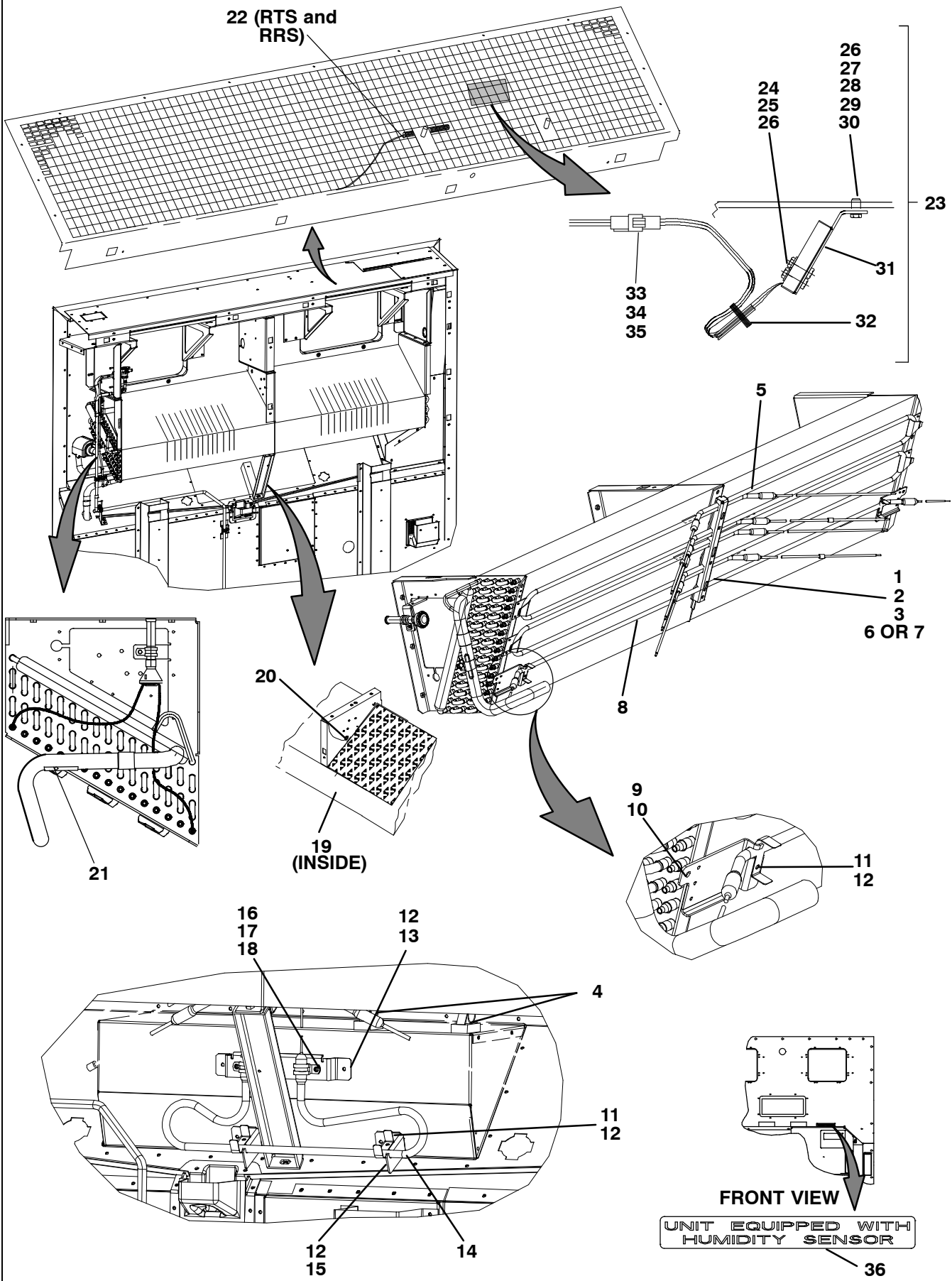
<b>1.44 EVAPORATOR FAN ASSEMBLY (Continued)</b>			
<b>Item</b>	<b>Part Number</b>	<b>Description</b>	<b>Qty</b>
1	69NT43-295	Mounting Bracket, Evaporator Fan Assembly	4
2	69NT35-2692-1	Washer, Fender	4
3	34-00663-11	Washer, Lock, 1/4, SST	4
4	34-00655-08	Screw, Captive, Hex Head, 1/4-20 X 1.00	4
5	66U1-2552-185	Gasket, 0.75 Thick X 1.5 X 16.63	1
6	34-00795-17	Nut, Self-Locking, 5/8-18, SST	2
7	34-00616-06	Washer, Special, 5/8, SST	4
8	38-00599-00	Fan, Evaporator	2
9	34-06165-08	Screw, Hex Head, 1/4-20 X 1.00, SST (Red)	8
10	66U1-5321-3	Washer, Flat, 1/4, SST	8
11	48-00413-00	Stator, Evaporator	2
12	58-04770-00	Protector - Mylar	2
13	54-00615-20	Motor, Evaporator Fan, Three-Phase - Includes:	2
14	04-50029-00	Bearing, Front (Shaft End)	1
15	04-50029-01	Bearing, Back	1
16	22-01997-05	Pin	6
17	22-01997-10	Pin, Grounding	1

**1.45 EVAPORATOR TUBING AND COIL**



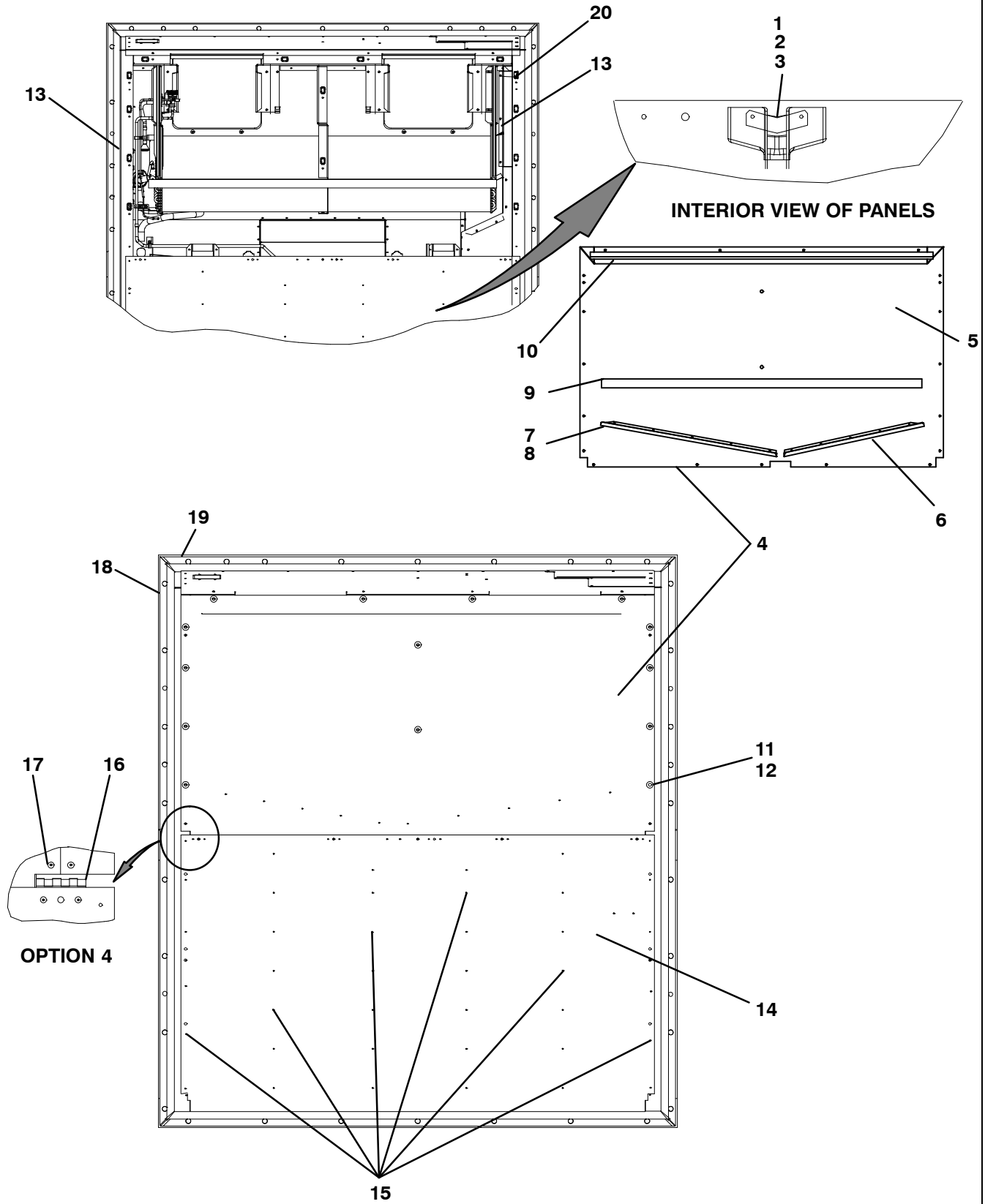
<b>1.45 EVAPORATOR TUBING AND COIL (Continued)</b>			
<b>Item</b>	<b>Part Number</b>	<b>Description</b>	<b>Qty</b>
1	66U1-5321-3	Washer, Plain, 1/4, Type A	10
2	66U1-5361-25	Screw, Cap, Hex Head, 1/4-20 X 0.75	9
3	81-04056-20	Coil Assembly, Evaporator	1
4	34-00663-11	Washer, Lock, 1/4, Spring	10
5	AA06JA166	Screw, Cap Hex Head, 1/4-20 X 0.50	1
6	68-15406-00	Bracket, Support	1
7	66U1-7452-3	Screw, Lag, 1/4-10 X 2, Hex Head	1
8	44-00370-03	Clamp, Cushioned	4
9	66U1-5381-1	Screw, Hex Head, #10-24 X 0.75	10
10	68-15550-00	Bracket	1
11	66U1-5381-3	Screw, Hex Head, #10-24 X 0.63	2
12	68-14890-00	Bracket	1
13	56-08602-00	Tube, Liquid	1
14	56-08617-00	Tube, Liquid	1
15	66U1-3882-3	Wire Tie, 1/16-4 Self-Locking	2
16	42-00425-109	Insulation Tube, Pre-Taped	1
17	34-00928-09	Rivet, Blind	4
18	68-15002-01	Bracket	1
19	42-00667-12	Insulation Tube, Pre-Taped	1
20	66U1-5371-7	Screw, Machine, Hex Head, 10-24 X 0.50	3
21	42-00667-13	Insulation Tube, Pre-Taped	1
22	68-14999-00	Bracket	1
23	42-00183-08	Flexible Trim	1
24	DE35BA303	Bushing	1
25	56-08502-01	Tube, Suction	1
26	14-00247-01	Valve, Evaporator Expansion Valve ( <b>EEV</b> ), for PIDs before NT2015	1
	14-00393-00SV	Valve, Evaporator Expansion Valve ( <b>EEV</b> ), for PIDs NT2015 & up	1
27	40-00130-03	Coupling	2
28	56-08618-00	Tube	1
29	56-08616-00	Tube, Liquid	1
30	14-00176-01	Strainer	1
31	34-00373-52	Clamp, Tube	2
32	58-00065-91	Grommet	2
33	58-00065-46	Grommet	1
34	68-14892-00	Plate, Cover	1
35	62-11427-00	Label, Sensors	1
36	66U1-5371-6	Screw, Machine, Hex Head, #10-24 X 0.750	3
37	68-15499-00	Bracket	1
38	14-00247-20	Coil, for PIDs before NT2015	1
	14-00393-10	Coil, for PIDs NT2015 & up	1

**1.46 HEATERS AND SENSORS (REAR PANELS REMOVED)**



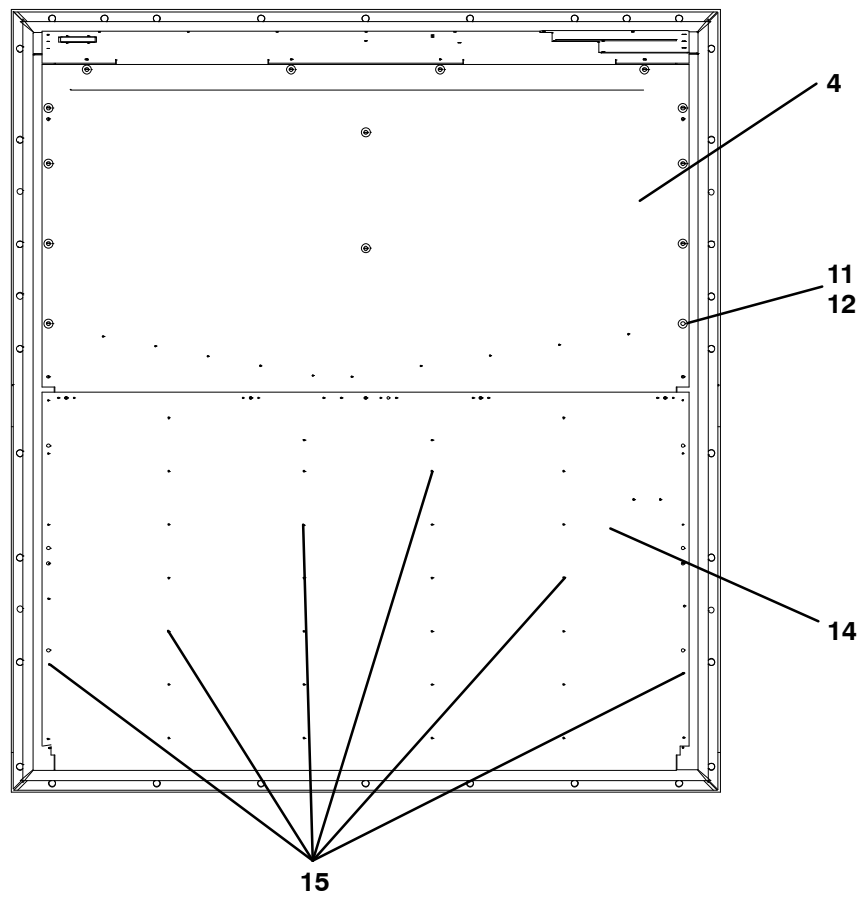
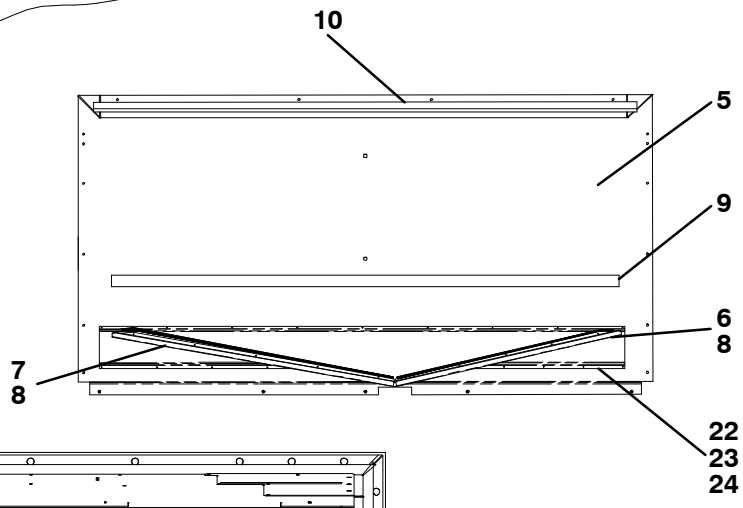
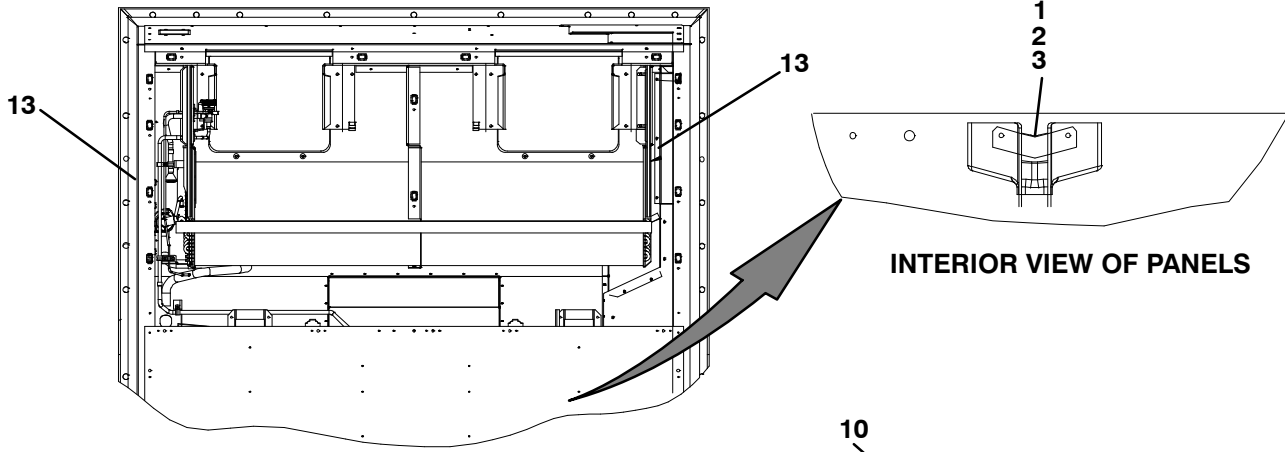
<b>1.46 HEATERS AND SENSORS (REAR PANELS REMOVED) (Continued)</b>			
<b>Item</b>	<b>Part Number</b>	<b>Description</b>	<b>Qty</b>
<b>STANDARD PARTS INCLUDED FOR OPTIONS 1 AND 2</b>			
1	69NT35-2692-1	Washer, Fender, 1/4-0.993-1.015 OD	3
2	66U1-5371-13	Screw, Hex Head, #10-24 X 1.25, SST	3
3	34-00663-11	Washer, Flat, 1/4, SST	3
4	44-00361-00	Retaining Clip	2
<b>OPTION 1 - STANDARD HEATERS</b>			
5	24-00006-02	Heater, Evaporator Coil	6
6	68-13600-00	Retainer (For Heaters)	1
<b>OPTION 2 - 5 + 1 HEATER ARRANGEMENT</b>			
5	24-00006-02	Heater, Evaporator Coil	4
7	68-86090-00	Retainer, 5 + 1 Heater	1
8	24-66602-00	Heater, Straight	1
9	66U1-3882	Wire Tie, 1/16 - 1 3/4 Inch Self-locking	2
10	58-04315-00	Base, Mounting, 0.250 Diameter Mounting Hole	2
11	69NT-35-2732	Clip	4
12	34-00928-07	Rivet, Blind	10
13	68-86099-00	Bracket, 5 + 1 Heater, Upper	1
14	24-66601-00	Heater, Omega	1
15	68-86100-00	Bracket, 5 + 1 Heater, Lower	2
16	34-00373-07	Clamp, Tube, 0.62 Diameter Cushion	2
17	66U1-5371-7	Screw, Machine Hex Head 10-24 X 0.5	2
18	66U1-5321-8	Washer, Plain 10 Type A	2
<b>SENSORS</b>			
19	-	Thermostat, Heat Termination ( <b>HTT</b> ) - SEE SECTION 1.48	1
20	-	Sensor, Thermistor, Defrost ( <b>DTS</b> ) - SEE SECTION 1.48	1
21	12-00500-01SV	Sensor, Evaporator ( <b>ETS1 and ETS2</b> )	1
22	-	Sensor Assembly ( <b>RTS and RRS</b> ) - SEE SECTION 1.48	1
<b>OPTION X - DEHUMIDIFICATION SYSTEM INSTALLED</b>			
23	76-00675-01	Kit, Humidity Sensor - Includes:	-
24	10-00413-00	Sensor, Humidity ( <b>HS</b> )	1
25	66U1-5371-10	Screw, Hex Head, #10-24 X 1.00, SST	4
26	66U1-5321-8	Washer, Flat, #10, SST	4
27	AU27JR131	Washer, Lock	2
28	34-06051-32	Rivnut, 10-24	2
29	66U1-5371-7	Screw, Machine, Hex Head 10-24 X 0.5	2
30	66U1-5321-7	Washer, Plain, 1/4 Type A	2
31	68-13181-00	Bracket Assembly, Humidity Sensor	1
32	66U1-3882	Wire Tie, 1/16-1-3/4, Self-Locking	1
33	22-01613-06	Plug, 3-Pin	1
34	22-01613-07	Lock, Secondary, 3-Pin	1
35	22-01613-15	Contact, Socket, #16	3
36	69NT35-3907	Label, Humidity Sensor	1

1.47 BACK PANEL ASSEMBLY



<b>1.47 BACK PANEL ASSEMBLY (Continued)</b>			
<b>Item</b>	<b>Part Number</b>	<b>Description</b>	<b>Qty</b>
<b>OPTION 1 – ALUMINUM BOLTED PANEL</b>			
1	34-00928-03	Rivet, Blind, 1/8 Inch Diameter, Grip Range – 3/16-1/4	2
2	68-14373-00	Plate, 0.063 Thick Aluminum	1
3	58-04763-00	Drain, Condensate	1
4	76-00746-08	Panel Assembly, Upper – Includes:	1
5	68-15424-00	Panel Assembly, Back	1
6	68-15425-00	Channel, Center (Location – Behind Upper Panel – Top)	1
7	68-15426-00	Channel, Side (Location – Behind Upper Panel)	1
8	34-00928-02	Rivet, Blind 1/8 Inch Diameter, Grip Range 1/8-3/16	50
9	42-00174-34	Gasket 0.25 T X 1.5 Wide X 64.25	1
10	42-00334-00	Gasket 1.22 X 68.75 V-Type	1
11	69NT35-2692	Washer, Fender, #10 X 1.00 OD, SST	19
12	66U1-2403	Screw, Machine, Truss Head, #10-24 X 1/2, SST	19
	66U1-7982-2	Rivet, TIR, 3/16 Inch Diameter, Grip Range 5/64-11/64	A/R
13	66U1-2593-24	Gasket, 20.48 Inches Long V-Type	2
14	68-86013-00	Panel, Back 0.125 Thick Aluminum	1
	68-14046-00	Panel, Back 0.080 Thick Aluminum	1
15	34-00928-04	Rivet, Blind, 1/8 Inch Diameter, Grip Range 1/4-5/16	2
<b>OPTION 4 – HINGED PANEL</b>			
1	34-00928-03	Rivet, Blind, 1/8 Inch Diameter, Grip Range 3/16-1/4	2
2	68-14373-00	Plate, 0.063 Thick Aluminum	1
3	58-04763-00	Drain, Condensate	1
4	76-00746-09	Panel Assembly, Upper – Includes:	1
5	68-15424-01	Panel Assembly, Back, 0.080	1
6	68-15425-00	Channel, Center (Location – Behind Upper Panel – Top)	1
7	68-15426-00	Channel, Side (Location – Behind Upper Panel)	1
8	34-00928-02	Rivet, Blind 1/8 Inch Diameter, Grip Range 1/8-3/16	50
9	42-00174-34	Gasket 0.25 T X 1.5 Wide X 64.25	1
10	42-00334-00	Gasket 1.22 X 68.75, V-Type	1
13	66U1-2593-24	Gasket, 20.48 Inches Long, V-Type	2
14	68-14046-00	Panel, Back, 0.080 Thick Aluminum	1
16	69NT35-3282	Hinge	4
17	34-00928-09	Rivet, Blind, 5/32 Inch Diameter, Grip Range 1/8-1/4	16
18	34-01150-06	Stud, Captive, 1.03, 1/4 Turn Fastener	6
19	34-01150-03	Stud, Captive, 0.94, 1/4 Turn Fastener	8
20	34-01150-31	Receptacle, 1/4 Turn Fastener	14
21	34-01150-30	Washer, Lock, 1/4 Turn Fastener	14

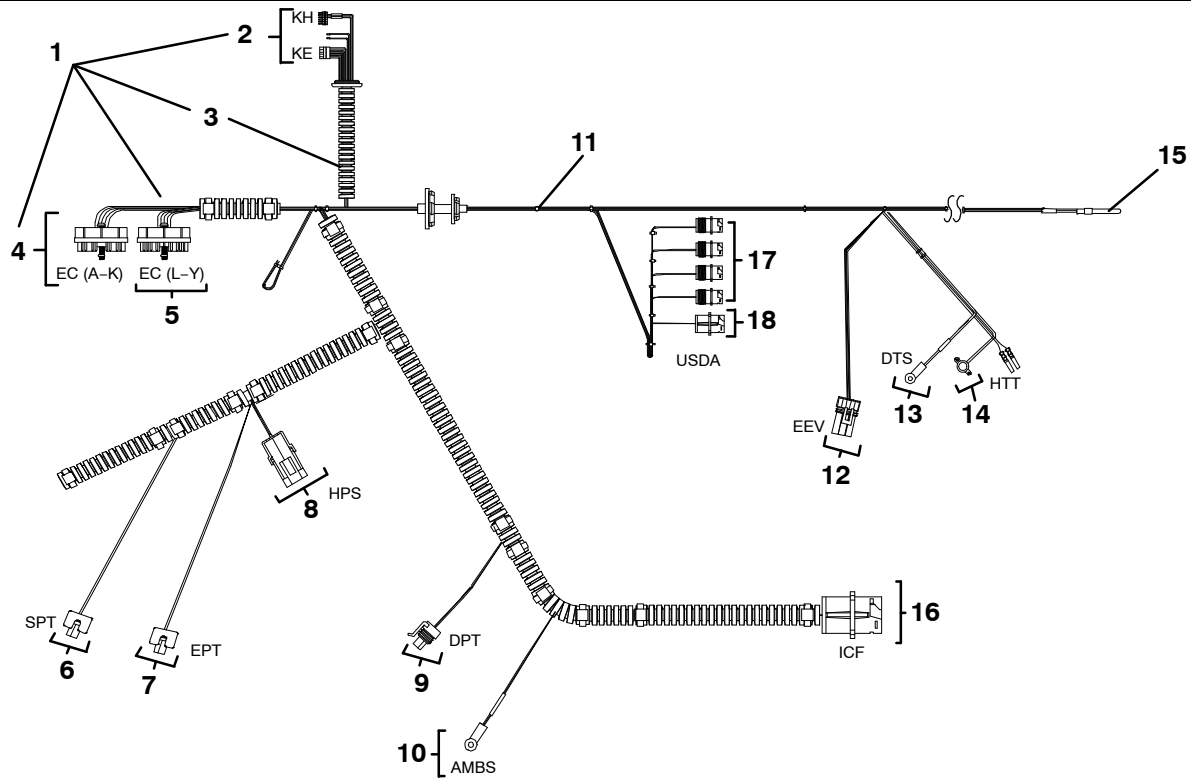
1.47 BACK PANEL ASSEMBLY (Continued)





<b>1.47 BACK PANEL ASSEMBLY (Continued)</b>			
<b>Item</b>	<b>Part Number</b>	<b>Description</b>	<b>Qty</b>
<b>OPTION 5 – ALUMINUM BOLTED PANEL, WITH 5+1 HEATER ARRANGEMENT</b>			
1	34-00928-03	Rivet, Blind, 1/8 Inch Diameter, Grip Range 3/16-1/4	2
2	68-14373-00	Plate, 0.063 Thick Aluminum	1
3	58-04763-00	Drain, Condensate	1
4	76-00746-10	Panel Assembly, Upper – Includes:	1
5	68-15424-01	Panel Assembly, Back, 0.080	1
6	68-15425-00	Channel, Center (Location – Behind Upper Panel – Top)	1
7	68-15426-00	Channel, Side (Location – Behind Upper Panel)	1
8	34-00928-02	Rivet, Blind 1/8 Inch Diameter, Grip Range 1/8-3/16	50
9	42-00174-34	Gasket 0.25 T X 1.5 Wide X 64.25	1
10	42-00334-00	Gasket 1.22 X 68.75, V-Type	1
22	68-86080-01	Back Panel Standoff, 5+1 Heater	1
23	42-00174-101	Gasket, 0.5W X 0.12T Neoprene	2
24	34-00928-03	Rivet, Blind, 0.125 Diameter, 0.188-0.250	17
11	69NT35-2692	Washer, Fender, #10 X 1.00 OD, SST	19
12	66U1-2403	Screw, Machine, Truss Head, #10-24 X 1/2, SST	19
	66U1-7982-2	Rivet, TIR, 3/16 Inch Diameter, Grip Range 5/64-11/64	A/R
13	66U1-2593-24	Gasket, 20.48 Inches Long, V-Type	2
14	68-14046-00	Panel, Back, 0.080 Thick Aluminum	1
15	34-00928-04	Rivet, Blind, 1/8 Inch Diameter, Grip Range 1/4-5/16	2

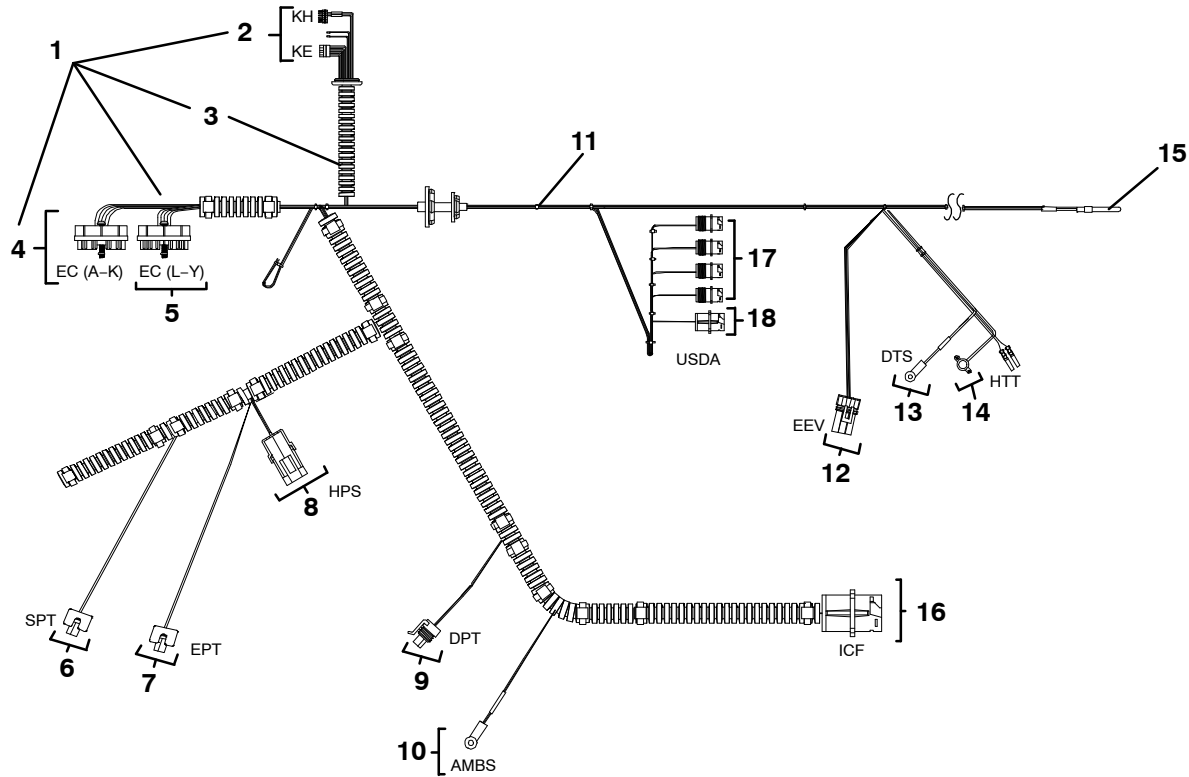
# 1.48 HARNESS – LOW VOLTAGE



Item	Part Number	Description	Qty
<b>STANDARD PARTS INCLUDED IN OPTIONS 1 AND 2</b>			
	22-04186-XX	Harness, Low Voltage – Includes:	
1	22-01829-38	Harness (KH – KE – EC) – Includes:	1
2		KH – Includes:	
	22-04016-00	Connector	1
	33-01735-00	Terminal	2
		KE – Includes:	
	22-04031-01	Connector	1
	22-04032-00	Terminal	5
3	58-00850-00	Tube, Slit 1 Inch OD X 75 Feet	1
4		EC (A-K) – Includes:	
	22-01777-06	Seal	1
	22-01777-07	Retainer	1
	66U1-6651-24	Screw, Pan Head, 10-24 X 1.50 Inch Long, SST	1
	22-01777-00	Connector	1
	22-01777-03	Terminal	21
	22-01777-02	Seal	4
5		EC (L-Y) – Includes:	
	22-01777-06	Seal	1
	77-01777-07	Retainer	1
	66U1-6651-24	Screw, Pan Head, 10-24 X 1.50 Inch Long, SST	1
	22-01777-01	Connector	1
	22-01777-03	Terminal	23
6		Suction Pressure Transducer (SPT) – Includes:	
	22-01944-00	Connector	1
	22-01944-10	Gasket	1
	22-01944-05	Cap	1
	22-01777-03	Terminal	3

<b>1.48 HARNESS – LOW VOLTAGE (Continued)</b>			
<b>Item</b>	<b>Part Number</b>	<b>Description</b>	<b>Qty</b>
7		Evaporator Pressure Transducer (EPT) – Includes:	
	22-01944-00	Connector	1
	22-01944-10	Gasket	1
	22-01944-05	Cap	1
	22-01777-03	Terminal	3
8		High Pressure Switch (HPS) – Includes:	
	22-02392-00	Connector	1
	22-02393-01	Terminal	2
	22-02394-04	Cable Seal	2
9		Discharge Pressure Transducer (DPT) – Includes:	
	22-02448-00	Connector	1
	22-01777-03	Terminal	3
10	12-00495-02SV	Thermistor, Ambient (AMBS)	1
11	66U1-3882	Wire Tie, 1/16-1 3/4, Self-Locking	A/R
12		Electronic Expansion Valve (EEV) – Includes:	
	22-01835-00	Connector	1
	22-01566-01	Terminal	5
	22-02394-02	Cable Seal	5
13	12-00495-02SV	Thermistor, Defrost (DTS)	1
14	12-00170-08	Thermistor, Evaporator Defrost (HTT)	1
15	12-00500-01SV	Thermistor, Combo/Return (RTS/RRS)	1
16		ICF – Includes:	
	22-01660-03	Connector	1
	22-01613-14	Terminal	5
<b>OPTION 1 – PROVISIONED FOR USDA</b>			
<b>See Previous Section for Standard Parts and use with Items Below</b>			
	22-04186-03	Harness, Low Voltage – Includes:	
<b>OPTION 2 – USDA INSTALLED</b>			
<b>See Previous Section for Standard Parts and use with Items Below:</b>			
	22-04186-06	Harness, Low Voltage – Includes:	
17		USDA – Includes:	
	22-01660-00	Connector	4
	22-01613-12	Terminal	8
	22-01614-06	Plug	4
18		USDA – Includes:	
	22-01660-03	Connector	1
	22-01613-12	Terminal	5

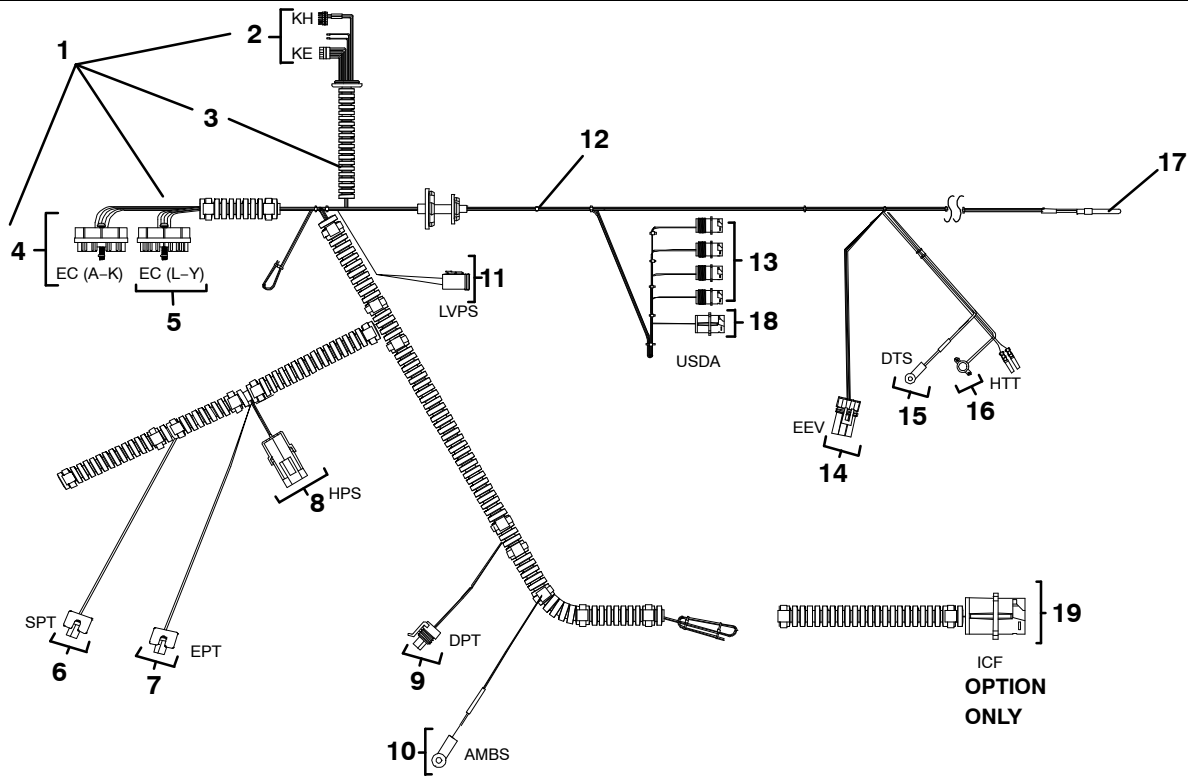
**1.48 HARNESS – LOW VOLTAGE (Continued)**



Item	Part Number	Description	Qty
<b>STANDARD PARTS INCLUDED IN OPTIONS 3 AND 4</b>			
	22-04186-XX	Harness, Low Voltage – Includes:	
1	22-01829-39	Harness (KH – KE – EC) – Includes:	1
2		KH – Includes:	
	22-04016-00	Connector	1
	33-01735-00	Terminal	2
		KE – Includes:	
	22-04031-01	Connector	1
	22-04032-00	Terminal	5
3	58-00850-00	Tube, Slit 1 Inch OD X 75 Feet	1
4		EC (A-K) – Includes:	
	22-01777-06	Seal	1
	22-01777-07	Retainer	1
	66U1-6651-24	Screw, Pan Head, 10-24 X 1.50 Inch Long, SST	1
	22-01777-00	Connector	1
	22-01777-03	Terminal	21
	22-01777-02	Seal	4
5		EC (L-Y) – Includes:	
	22-01777-06	Seal	1
	77-01777-07	Retainer	1
	66U1-6651-24	Screw, Pan Head, 10-24 X 1.50 Inch Long, SST	1
	22-01777-01	Connector	1
	22-01777-03	Terminal	23
6		Suction Pressure Transducer (SPT) – Includes:	
	22-01944-00	Connector	1
	22-01944-10	Gasket	1
	22-01944-05	Cap	1
	22-01777-03	Terminal	3

<b>1.48 HARNESS – LOW VOLTAGE (Continued)</b>			
<b>Item</b>	<b>Part Number</b>	<b>Description</b>	<b>Qty</b>
7		Evaporator Pressure Transducer (EPT) – Includes:	
	22-01944-00	Connector	1
	22-01944-10	Gasket	1
	22-01944-05	Cap	1
	22-01777-03	Terminal	3
8		High Pressure Switch (HPS) – Includes:	
	22-02392-00	Connector	1
	22-02393-01	Terminal	2
	22-02394-04	Cable Seal	2
9		Discharge Pressure Transducer (DPT) – Includes:	
	22-02448-00	Connector	1
	22-01777-03	Terminal	3
10	12-00495-02SV	Thermistor, Ambient (AMBS)	1
11	66U1-3882	Wire Tie, 1/16-1 3/4, Self-Locking	A/R
12		Electronic Expansion Valve (EEV) – Includes:	
	22-01835-00	Connector	1
	22-01566-01	Terminal	5
	22-02394-02	Cable Seal	5
13	12-00495-02SV	Thermistor, Defrost (DTS)	1
14	12-00170-08	Thermistor, Evaporator Defrost (HTT)	1
15	12-00500-01SV	Thermistor, Combo/Return (RTS/RRS)	1
16		Interrogator Connector Front (ICF) – Includes:	
	22-01660-03	Connector	1
	22-01613-14	Terminal	5
<b>OPTION 3 – PROVISIONED FOR UPPER VENT POSITION SENSOR AND USDA</b>			
<b>See Previous Section for Standard Parts and use with Items Below</b>			
	22-04186-02	Harness, Low Voltage – Includes:	
<b>OPTION 4 – PROVISIONED FOR UPPER VENT POSITION SENSOR, USDA INSTALLED</b>			
<b>See Previous Section for Standard Parts and use with Items Below:</b>			
	22-04186-05	Harness, Low Voltage – Includes:	
17		USDA – Includes:	
	22-01660-00	Connector	4
	22-01613-12	Terminal	8
	22-01614-06	Plug	4
18		USDA – Includes:	
	22-01660-03	Connector	1
	22-01613-12	Terminal	5

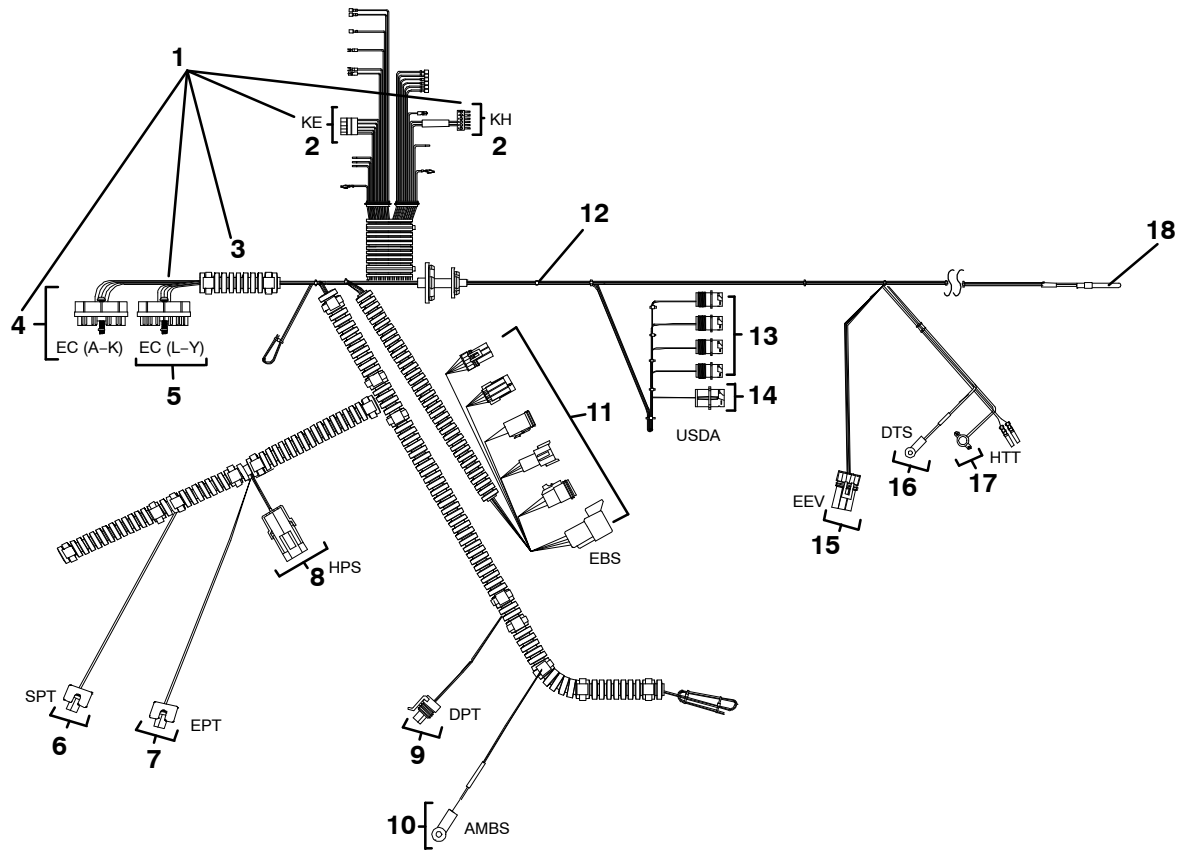
**1.48 HARNESS – LOW VOLTAGE (Continued)**



Item	Part Number	Description	Qty
<b>STANDARD PARTS INCLUDED IN OPTIONS D, V AND 5</b>			
	22-04186-XX	Harness, Low Voltage – Includes:	
1	22-01829-38	Harness (KH – KE – EC) – Includes:	1
2		KH – Includes:	
	22-04016-00	Connector	1
	33-01735-00	Terminal	2
		KE – Includes:	
	22-04031-01	Connector	1
	22-04032-00	Terminal	5
3	58-00850-00	Tube, Slit 1 Inch OD X 75 Feet	1
4		EC (A-K) – Includes:	
	22-01777-06	Seal	1
	22-01777-07	Retainer	1
	66U1-6651-24	Screw, Pan Head, 10-24 X 1.50 Inch Long, SST	1
	22-01777-00	Connector	1
	22-01777-03	Terminal	21
	22-01777-02	Seal	4
5		EC (L-Y) – Includes:	
	22-01777-06	Seal	1
	77-01777-07	Retainer	1
	66U1-6651-24	Screw, Pan Head, 10-24 X 1.50 Inch Long, SST	1
	22-01777-01	Connector	1
	22-01777-03	Terminal	23
6		Suction Pressure Transducer (SPT) – Includes:	
	22-01944-00	Connector	1
	22-01944-10	Gasket	1
	22-01944-05	Cap	1
	22-01777-03	Terminal	3

<b>1.48 HARNESS – LOW VOLTAGE (Continued)</b>			
<b>Item</b>	<b>Part Number</b>	<b>Description</b>	<b>Qty</b>
7		Evaporator Pressure Transducer (EPT) – Includes:	
	22-01944-00	Connector	1
	22-01944-10	Gasket	1
	22-01944-05	Cap	1
	22-01777-03	Terminal	3
8		High Pressure Switch (HPS) – Includes:	
	22-02392-00	Connector	1
	22-02393-01	Terminal	2
	22-02394-04	Cable Seal	2
9		Discharge Pressure Transducer (DPT) – Includes:	
	22-02448-00	Connector	1
	22-01777-03	Terminal	3
10	12-00495-02SV	Thermistor, Ambient (AMBS)	1
11		Low Voltage Pressure Switch (LVPS) – Includes:	
	22-01613-10	Connector	1
	22-01613-13	Terminal	3
	22-01613-11	Lock, Secondary	1
	22-01614-06	Plug, Sealing	1
12	66U1-3882	Wire Tie, 1/16-1 3/4, Self-Locking	A/R
13		USDA – Includes:	
	22-01660-00	Connector	4
	22-01613-12	Terminal	8
	22-01614-06	Plug	4
14		Electronic Expansion Valve (EEV) – Includes:	
	22-01835-00	Connector	1
	22-01566-01	Terminal	5
	22-02394-02	Cable Seal	5
15	12-00495-02SV	Thermistor, Defrost (DTS)	1
16	12-00170-08	Thermistor, Evaporator Defrost (HTT)	1
17	12-00500-01SV	Thermistor, Combo/Return (RTS/RRS)	1
<b>OPTION D – LOWER VENT POSITION SENSOR (VPS) AND USDA INSTALLED</b>			
<b>See Previous Section for Standard Parts and use with Items Below</b>			
	22-04186-04	Harness, Low Voltage – Includes:	
18		USDA – Includes:	
	22-01660-03	Connector	1
	22-01613-12	Terminal	5
<b>OPTION V – LOWER VPS AND USDA INSTALLED</b>			
<b>See Previous Section for Standard Parts and use with Items Below:</b>			
	22-04186-00	Harness, Low Voltage – Includes:	
18		USDA – Includes:	
	22-02412-01	Connector	1
	22-02412-02	Terminal	5
<b>OPTION 5 – LOWER VPS, USDA AND FRONT INTERROGATOR CONNECTOR INSTALLED</b>			
<b>See Previous Section for Standard Parts and use with Items Below:</b>			
	22-04186-07	Harness, Low Voltage – Includes ALL OF OPTION D AND:	
19		Interrogator Connector Front (ICF) – Includes:	
	22-01660-03	Connector	1
	22-01613-14	Terminal	5

**1.48 HARNESS – LOW VOLTAGE (Continued)**



Item	Part Number	Description	Qty
<b>OPTION 6 – USDA AND EMERGENCY BYPASS INSTALLED, PROVISIONED FOR UPPER VPS</b>			
	22-04186-08	Harness, Low Voltage – Includes:	
1	22-01829-36	Harness (KH – KE – EC) – Includes:	1
2		KH – Includes:	
	22-04016-00	Connector	1
	33-01735-00	Terminal	2
		KE – Includes:	
	22-04031-01	Connector	1
	22-04032-00	Terminal	5
3	58-00850-00	Tube, Slit 1 Inch OD X 75 Feet	1
4		EC (A-K) – Includes:	
	22-01777-06	Seal	1
	22-01777-07	Retainer	1
	66U1-6651-24	Screw, Pan Head, 10-24 X 1.50 Inch Long, SST	1
	22-01777-00	Connector	1
	22-01777-03	Terminal	21
	22-01777-02	Seal	4
5		EC (L-Y) – Includes:	
	22-01777-06	Seal	1
	77-01777-07	Retainer	1
	66U1-6651-24	Screw, Pan Head, 10-24 X 1.50 Inch Long, SST	1
	22-01777-01	Connector	1
	22-01777-03	Terminal	23

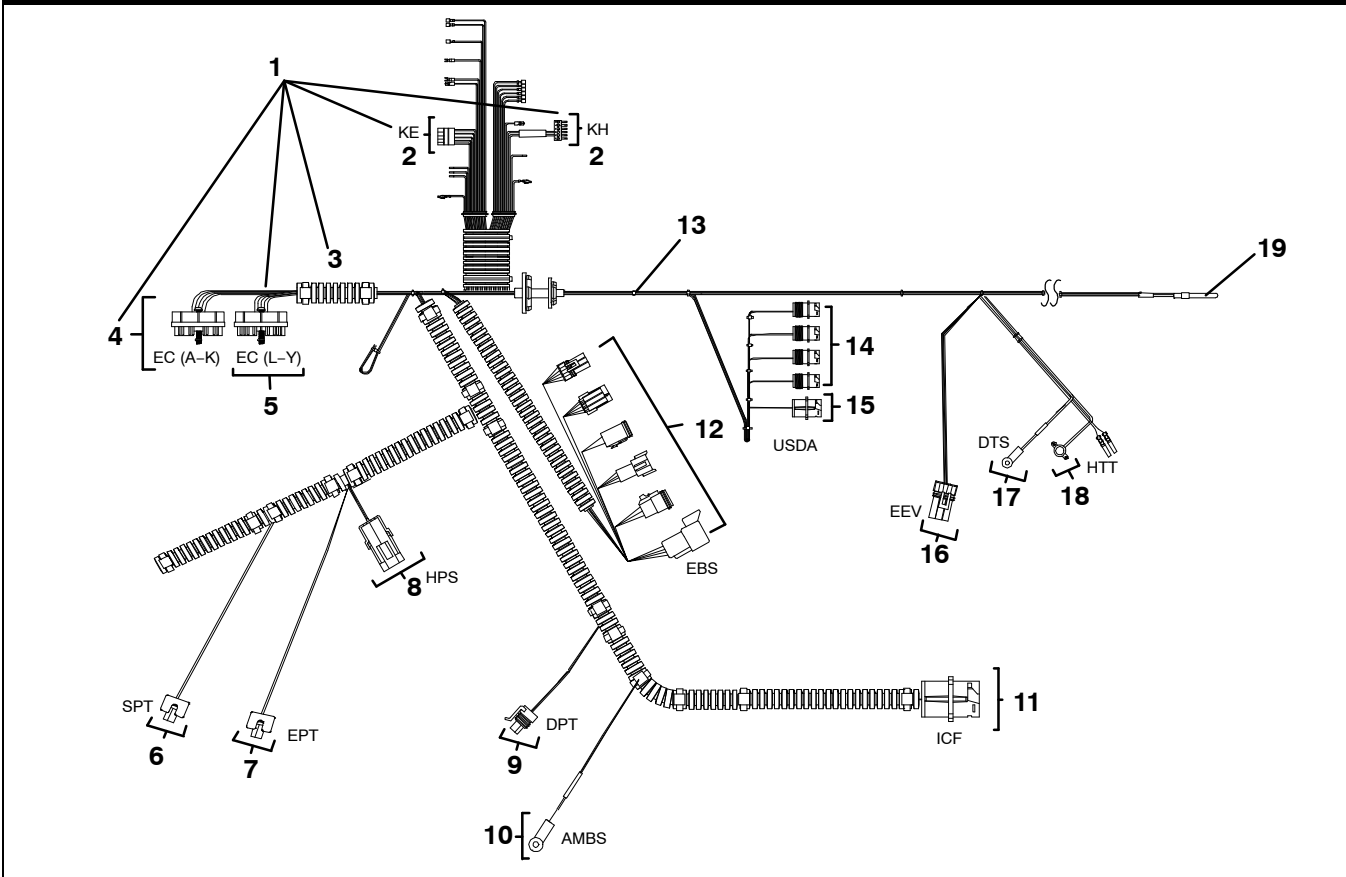


<b>1.48 HARNESS – LOW VOLTAGE (Continued)</b>			
<b>Item</b>	<b>Part Number</b>	<b>Description</b>	<b>Qty</b>
6		Suction Pressure Transducer ( <b>SPT</b> ) – Includes:	
	22-01944-00	Connector	1
	22-01944-10	Gasket	1
	22-01944-05	Cap	1
	22-01777-03	Terminal	3
7		Evaporator Pressure Transducer ( <b>EPT</b> ) – Includes:	
	22-01944-00	Connector	1
	22-01944-10	Gasket	1
	22-01944-05	Cap	1
	22-01777-03	Terminal	3
8		High Pressure Switch ( <b>HPS</b> ) – Includes:	
	22-02392-00	Connector	1
	22-02393-01	Terminal	2
	22-02394-04	Cable Seal	2
9		Discharge Pressure Transducer ( <b>DPT</b> ) – Includes:	
	22-02448-00	Connector	1
	22-01777-03	Terminal	3
10	12-00495-02SV	Thermistor, Ambient ( <b>AMBS</b> )	1
11		Emergency Bypass Switch ( <b>EBS</b> ) – Includes:	
11A		11A – Includes:	
	22-01835-00	Connector	1
	22-01566-01	Terminal	5
	22-02394-02	Seal, Cable	5
11B		11B – Includes:	
	22-01836-00	Connector	1
	22-02393-01	Terminal	5
	22-02394-03	Seal, Cable	5
11C		11C – Includes:	
	22-01613-18	Connector, 6 Socket	1
	22-01613-19	Lock, Secondary	1
	22-01614-06	Sealing, Plug	1
11D		11D – Includes:	
	22-01613-22	Connector, 8 Pin	1
	22-01613-12	Terminal	8
	22-01613-26	Lock, Secondary	1
11E		11E – Includes:	
	22-01613-06	Connector, 3 Socket	1
	22-01613-07	Lock, Secondary	1
11F		11F – Includes:	
	22-01613-04	Connector, 3 Pin	1
	22-01613-05	Lock, Secondary	1
	22-01614-06	Sealing, Plug	1
12	66U1-3882	Wire Tie, 1/16-1 3/4, Self-Locking	A/R
13		USDA – Includes:	
	22-01660-00	Connector	4
	22-01613-12	Terminal	8
	22-01614-06	Plug	4

**1.48 HARNESS – LOW VOLTAGE (Continued)**

Item	Part Number	Description	Qty
14		USDA – Includes:	
	22-01660-03	Connector	1
	22-01613-12	Terminal	5
15		Electronic Expansion Valve (EEV) – Includes:	
	22-01835-00	Connector	1
	22-01566-01	Terminal	5
	22-02394-02	Cable Seal	5
16	12-00495-02SV	Thermistor, Defrost (DTS)	1
17	12-00170-08	Thermistor, Evaporator Defrost (HTT)	1
18	12-00500-01SV	Thermistor, Combo/Return (RTS/RRS)	1

**1.48 HARNESS – LOW VOLTAGE (Continued)**

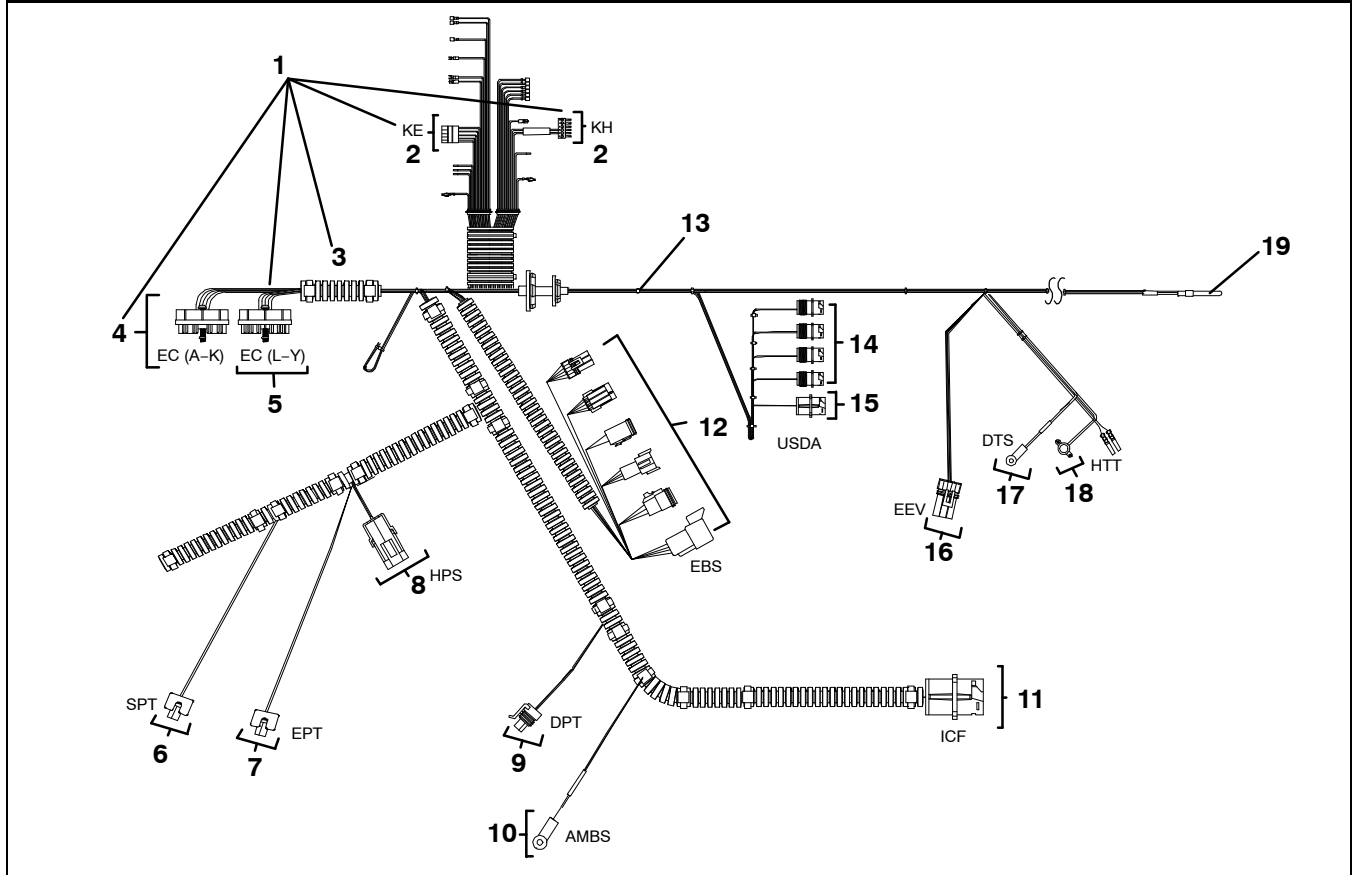


Item	Part Number	Description	Qty
<b>OPTION 7 – USDA AND EMERGENCY BYPASS INSTALLED, PROVISIONED FOR UPPER VPS</b>			
	22-04186-01	Harness, Low Voltage – Includes:	
1	22-01829-40	Harness (KH – KE – EC) – Includes:	1
2		KH – Includes:	
	22-04016-00	Connector	1
	33-01735-00	Terminal	2
		KE – Includes:	
	22-04031-01	Connector	1
	22-04032-00	Terminal	5
3	58-00850-00	Tube, Slit 1 Inch OD X 75 Feet	1

<b>1.48 HARNESS – LOW VOLTAGE (Continued)</b>			
<b>Item</b>	<b>Part Number</b>	<b>Description</b>	<b>Qty</b>
4		EC (A-K) – Includes:	
	22-01777-06	Seal	1
	22-01777-07	Retainer	1
	66U1-6651-24	Screw, Pan Head, 10-24 X 1.50 Inch Long, SST	1
	22-01777-00	Connector	1
	22-01777-03	Terminal	21
	22-01777-02	Seal	4
5		EC (L-Y) – Includes:	
	22-01777-06	Seal	1
	77-01777-07	Retainer	1
	66U1-6651-24	Screw, Pan Head, 10-24 X 1.50 Inch Long, SST	1
	22-01777-01	Connector	1
	22-01777-03	Terminal	23
6		Suction Pressure Transducer ( <b>SPT</b> )– Includes:	
	22-01944-00	Connector	1
	22-01944-10	Gasket	1
	22-01944-05	Cap	1
	22-01777-03	Terminal	3
7		Evaporator Pressure Transducer ( <b>EPT</b> ) – Includes:	
	22-01944-00	Connector	1
	22-01944-10	Gasket	1
	22-01944-05	Cap	1
	22-01777-03	Terminal	3
8		High Pressure Switch ( <b>HPS</b> ) – Includes:	
	22-02392-00	Connector	1
	22-02393-01	Terminal	2
	22-02394-04	Cable Seal	2
9		Discharge Pressure Transducer ( <b>DPT</b> ) – Includes:	
	22-02448-00	Connector	1
	22-01777-03	Terminal	3
10	12-00495-02SV	Thermistor, Ambient ( <b>AMBS</b> )	1
11		Interrogator Connector Front ( <b>ICF</b> ) – Includes:	
	22-01660-03	Connector	1
	22-01613-14	Terminal	5
12		Emergency Bypass Switch ( <b>EBS</b> ) – Includes:	
12A		11A – Includes:	
	22-01835-00	Connector	1
	22-01566-01	Terminal	5
	22-02394-02	Seal, Cable	5
12B		11B – Includes:	
	22-01836-00	Connector	1
	22-02393-01	Terminal	5
	22-02394-03	Seal, Cable	5
12C		11C – Includes:	
	22-01613-18	Connector, 6 Socket	1
	22-01613-19	Lock, Secondary	1
	22-01614-06	Sealing, Plug	1

<b>1.48 HARNESS – LOW VOLTAGE (Continued)</b>			
<b>Item</b>	<b>Part Number</b>	<b>Description</b>	<b>Qty</b>
12D		11D – Includes:	
	22-01613-22	Connector, 8 Pin	1
	22-01613-12	Terminal	8
	22-01613-26	Lock, Secondary	1
12E		11E – Includes:	
	22-01613-06	Connector, 3 Socket	1
	22-01613-07	Lock, Secondary	1
12F		11F – Includes:	
	22-01613-04	Connector, 3 Pin	1
	22-01613-05	Lock, Secondary	1
	22-01614-06	Sealing, Plug	1
13	66U1-3882	Wire Tie, 1/16-1 3/4, Self-Locking	A/R
14		USDA – Includes:	
	22-01660-00	Connector	4
	22-01613-12	Terminal	8
	22-01614-06	Plug	4
15		USDA – Includes:	
	22-01660-03	Connector	1
	22-01613-12	Terminal	5
16		Electronic Expansion Valve ( <b>EEV</b> ) – Includes:	
	22-01835-00	Connector	1
	22-01566-01	Terminal	5
	22-02394-02	Cable Seal	5
17	12-00495-02SV	Thermistor, Defrost ( <b>DTS</b> )	1
18	12-00170-08	Thermistor, Evaporator Defrost ( <b>HTT</b> )	1
19	12-00500-01SV	Thermistor, Combo/Return ( <b>RTS/RRS</b> )	1

**1.48 HARNESS – LOW VOLTAGE (Continued)**

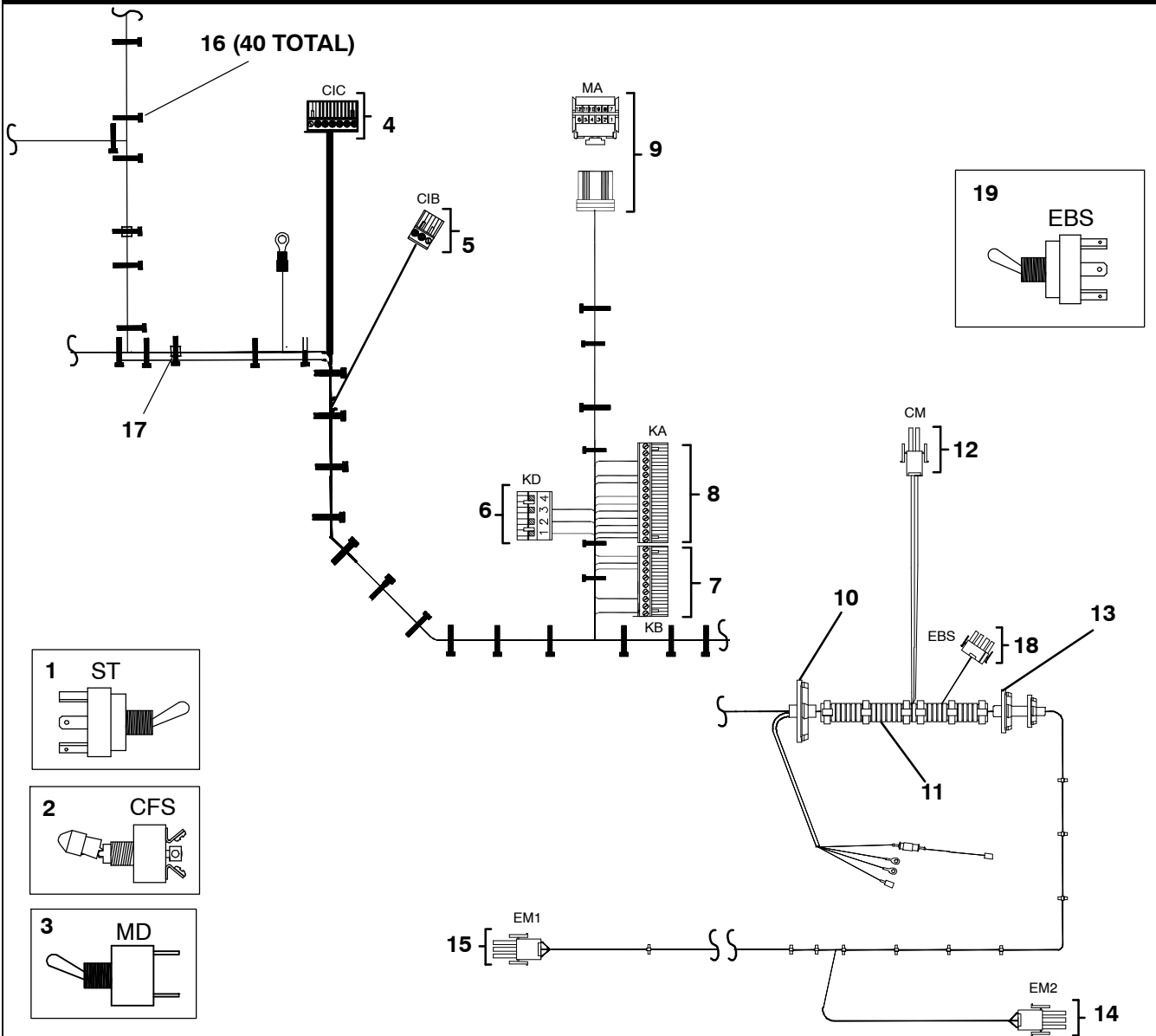


Item	Part Number	Description	Qty
<b>OPTION 8 – USDA AND EMERGENCY BYPASS INSTALLED, PROVISIONED FOR UPPER VPS</b>			
	22-04186-09	Harness, Low Voltage – Includes:	
1	22-01829-37	Harness (KH – KE – EC) – Includes:	1
2		KH – Includes:	
	22-04016-00	Connector	1
	33-01735-00	Terminal	2
		KE – Includes:	
	22-04031-01	Connector	1
	22-04032-00	Terminal	5
3	58-00850-00	Tube, Slit 1 Inch OD X 75 Feet	1
4		EC (A-K) – Includes:	
	22-01777-06	Seal	1
	22-01777-07	Retainer	1
	66U1-6651-24	Screw, Pan Head, 10-24 X 1.50 Inch Long, SST	1
	22-01777-00	Connector	1
	22-01777-03	Terminal	21
	22-01777-02	Seal	4
5		EC (L-Y) – Includes:	
	22-01777-06	Seal	1
	77-01777-07	Retainer	1
	66U1-6651-24	Screw, Pan Head, 10-24 X 1.50 Inch Long, SST	1
	22-01777-01	Connector	1
	22-01777-03	Terminal	23

<b>1.48 HARNESS – LOW VOLTAGE (Continued)</b>			
<b>Item</b>	<b>Part Number</b>	<b>Description</b>	<b>Qty</b>
6		Suction Pressure Transducer <b>(SPT)</b> – Includes:	
	22-01944-00	Connector	1
	22-01944-10	Gasket	1
	22-01944-05	Cap	1
	22-01777-03	Terminal	3
7		Evaporator Pressure Transducer <b>(EPT)</b> – Includes:	
	22-01944-00	Connector	1
	22-01944-10	Gasket	1
	22-01944-05	Cap	1
	22-01777-03	Terminal	3
8		High Pressure Switch <b>(HPS)</b> – Includes:	
	22-02392-00	Connector	1
	22-02393-01	Terminal	2
	22-02394-04	Cable Seal	2
9		Discharge Pressure Transducer <b>(DPT)</b> – Includes:	
	22-02448-00	Connector	1
	22-01777-03	Terminal	3
10	12-00495-02SV	Thermistor, Ambient <b>(AMBS)</b>	1
11		Interrogator Connector Front <b>(ICF)</b> – Includes:	
	22-01660-03	Connector	1
	22-01613-14	Terminal	5
12		Emergency Bypass Switch <b>(EBS)</b> – Includes:	
12A		11A – Includes:	
	22-01835-00	Connector	1
	22-01566-01	Terminal	5
	22-02394-02	Seal, Cable	5
12B		11B – Includes:	
	22-01836-00	Connector	1
	22-02393-01	Terminal	5
	22-02394-03	Seal, Cable	5
12C		11C – Includes:	
	22-01613-18	Connector, 6 Socket	1
	22-01613-19	Lock, Secondary	1
	22-01614-06	Sealing, Plug	1
12D		11D – Includes:	
	22-01613-22	Connector, 8 Pin	1
	22-01613-12	Terminal	8
	22-01613-26	Lock, Secondary	1
12E		11E – Includes:	
	22-01613-06	Connector, 3 Socket	1
	22-01613-07	Lock, Secondary	1
12F		11F – Includes:	
	22-01613-04	Connector, 3 Pin	1
	22-01613-05	Lock, Secondary	1
	22-01614-06	Sealing, Plug	1
13	66U1-3882	Wire Tie, 1/16-1 3/4, Self-Locking	A/R

<b>1.48 HARNESS – LOW VOLTAGE (Continued)</b>			
<b>Item</b>	<b>Part Number</b>	<b>Description</b>	<b>Qty</b>
14		USDA – Includes:	
	22-01660-00	Connector	4
	22-01613-12	Terminal	8
	22-01614-06	Plug	4
15		USDA – Includes:	
	22-01660-03	Connector	1
	22-01613-12	Terminal	5
16		Electronic Expansion Valve ( <b>EEV</b> ) – Includes:	
	22-01835-00	Connector	1
	22-01566-01	Terminal	5
	22-02394-02	Cable Seal	5
17	12-00495-02SV	Thermistor, Defrost ( <b>DTS</b> )	1
18	12-00170-08	Thermistor, Evaporator Defrost ( <b>HTT</b> )	1
19	12-00500-01SV	Thermistor, Combo/Return ( <b>RTS/RRS</b> )	1

# 1.49 HARNESS – HIGH VOLTAGE



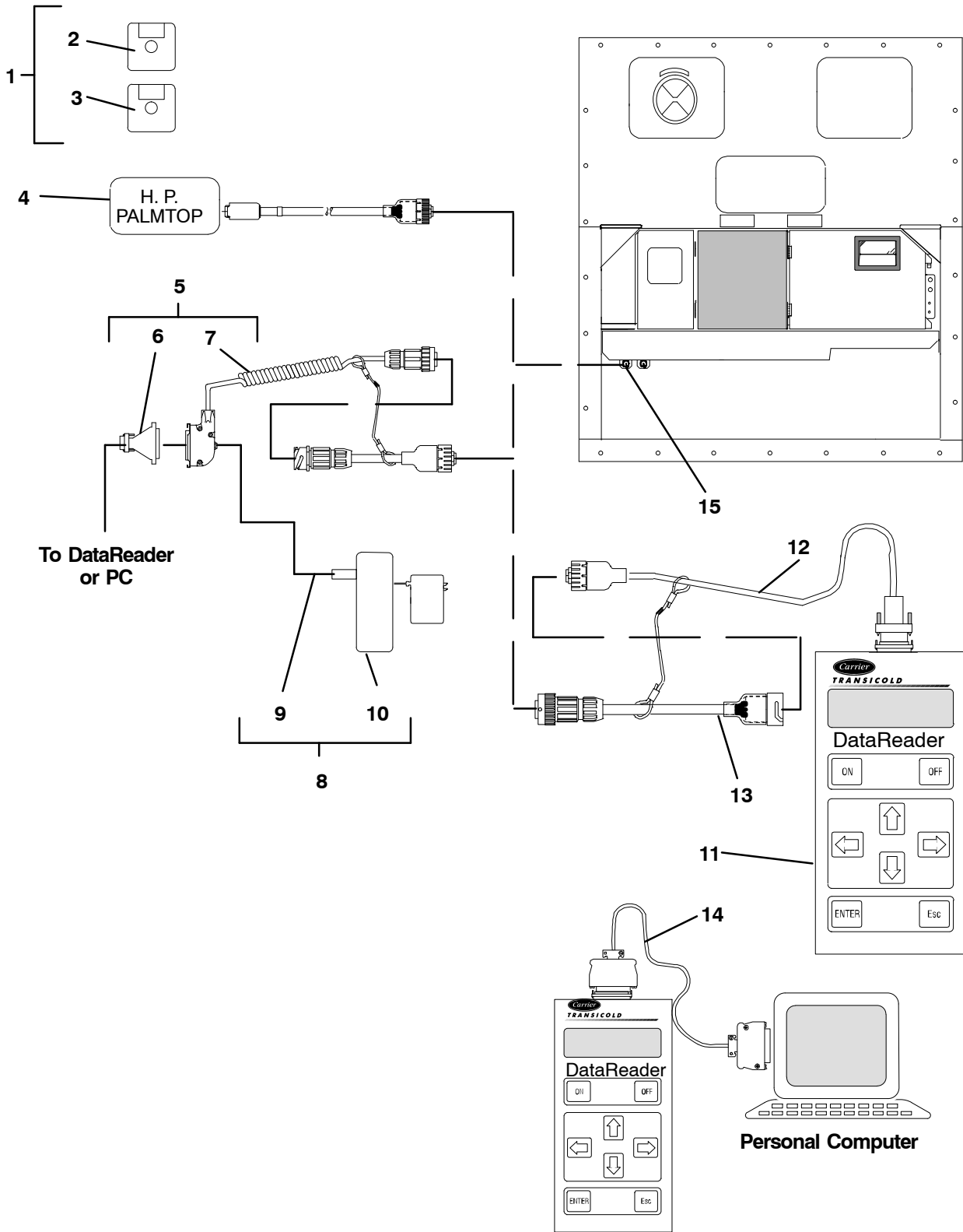
Item	Part Number	Description	Qty
<b>ALL – STANDARD HIGH VOLTAGE HARNESS – SWITCHES</b>			
1	10-01129-11	Switch, Toggle, Start/Stop (ST)	1
2	10-01129-05	Switch, Toggle, Condenser Fan Switch (CFS)	1
3	10-01129-10	Switch, Toggle, Manual Defrost (MD)	1
<b>OPTION 1 – STANDARD HIGH VOLTAGE HARNESS</b>			
	91-00382-00	High Voltage Harness – Includes:	
	91-00382-01	High Voltage Harness – Includes:	
	91-00382-04	High Voltage Harness – Includes:	
	91-00382-07	High Voltage Harness – Includes:	
4		<b>CIC</b> – Includes:	
	22-01556-06	Connector Interface, CIC	1
	22-02324-09	Terminal	3
5		<b>CIB</b> – Includes:	
	22-01556-04	Connector Interface, CIB	1
	22-01735-00	Terminal	3



<b>1.49 HARNESS – HIGH VOLTAGE (Continued)</b>			
<b>Item</b>	<b>Part Number</b>	<b>Description</b>	<b>Qty</b>
<b>OPTION 1 – STANDARD HIGH VOLTAGE HARNESS (Continued)</b>			
6		<b>KD</b> – Includes:	
	22-04031-00	Connector, KD	1
	22-04032-00	Terminal	4
7		<b>KB</b> – Includes:	
	22-01556-01	Connector, KB	1
	22-01735-00	Terminal	5
8		<b>KA</b> – Includes:	
	22-01556-02	Connector, KA	1
	22-01735-00	Terminal	10
9		<b>MA</b> – Includes:	
	22-01622-01	Connector, MA	1
	22-01622-03	Terminal	5
10	58-04291-01	Grommet, Rubber	1
11	58-00850-20	Wire Cover	1
12		Condenser Fan Motor ( <b>CM</b> ) – Includes:	
	22-01997-12	Plug CM	1
	22-01997-06	Terminal	4
	22-01997-08	Sealing Plug	3
	22-01997-13	Wire Seal	1
	22-01997-14	Interface Seal	1
13	58-04291-00	Grommet, Rubber	1
14		Evaporator Fan Motor 2 ( <b>EM2</b> ) – Includes:	
	22-01197-20	Plug	1
	22-01997-06	Terminal	7
	22-01997-08	Sealing Plug	3
	22-01997-21	Wire Seal	1
	22-01997-22	Interface Seal	1
15		Evaporator Fan Motor 1 ( <b>EM1</b> ) – Includes:	
	22-01997-20	Plug, EM1	1
	22-01997-06	Terminal	5
	22-01997-08	Sealing Plug	2
	22-01997-21	Wire Seal	1
	22-01997-22	Interface Seal	1
16	66U1-3882-4	Wire Tie	40
17	66U1-3882	Wire Tie	2
<b>OPTION 2 – HIGH VOLTAGE HARNESS WITH EMERGENCY BYPASS SYSTEM – INCLUDES ALL OF OPTION 1 AND ITEMS BELOW</b>			
	91-00382-03	High Voltage Harness – Includes ALL OF OPTION 1 AND:	
	91-00382-05	High Voltage Harness – Includes ALL OF OPTION 1 AND:	
	91-00382-06	High Voltage Harness – Includes ALL OF OPTION 1 AND:	
18		Emergency Bypass ( <b>EBS</b> ) – Includes:	
	22-01997-16	Plug	1
	22-01997-06	Terminal	4
	22-01997-17	Wire Seal	1
	22-01997-08	Interface Seal	1
19	10-01129-11	Switch, Toggle, Emergency Bypass ( <b>EBS</b> )	1

## 2 INTERROGATOR ACCESSORIES

### 2.1 DATALINE/DATAREADER



<b>2.1 DATALINE/DATAREADER (Continued)</b>			
<b>Item</b>	<b>Part Number</b>	<b>Description</b>	<b>Qty</b>
1	07-00406-00	Disk Kit, DataLine ( <b>SEE NOTE</b> ) – Includes:	1
2	12-00413-05SV	Software, DataLine <b>NSS</b>	1
3	12-00528-00	Software, DataLine (Scroll) <b>NSS</b>	1
4	22-01737-02	Cable, H. P. PalmTop	1
5	76-50059-00	Kit, Cable, With Adapter – Includes:	1
6	22-02418-02	Cable, Interrogator	1
7	22-02420-00	Adapter	1
8	76-50058-00	Kit, Battery, With Cable – Includes:	1
9	<b>NSS</b>	Battery, External, With Battery Charger	1
10	22-02401-00	Cable	1
11	No Longer Offered	DataReader	–
12	22-01737-00	Cable, Download	1
13	22-01737-01	Cable, Adapter	1
14	22-01743-00	Cable, Upload	1
15	–	Receptacle	–

<b>3 TOOLS</b>	
<b>PART NO.</b>	<b>DESCRIPTION</b>
07-00176-11	Vacuum Pump, Dual Voltage/Dual Frequency
07-00375-00	Stepper Motor Drive Tester
07-00408-00	Stepper Jumper Assembly
07-00462-00	Temperature Tester, 4-Lead
07-00477-00	Inspection Mirror
07-00228-00	Multimeter, Digital
07-00229-00	Amprobe Clamp ( <b>Used with 07-00228-00</b> )
07-00238-00	Wrench, Service Valve
07-00243-10	Multimeter, Digital ( <b>Fluke</b> )
07-00277-00	Kit, Static Dissipative (Used for Working on Electronic Components)
07-00304-00	Ground Strap, Wrist (Used for Working on Electronic Components)
07-00294-00	Gauge Set, Manifold - <b>Fahrenheit/PSI</b>
07-00294-05	Gauge Set, Manifold - <b>Centigrade/KPa</b>
07-00295-00	Detector, Leak
07-00397-03	Extractor, Pin (Used on Fan Motor Plugs and Interrogator Plugs)
07-00397-02	Crimper, Pin (Used on Fan Motor Plugs and Interrogator Plugs)
07-00329-00	Extractor, Pin (Used on Controller Module Connectors)
07-00330-00	Crimper, Pin (Used on Controller Module Connectors)
07-00391-00	Application Gun (Used with 07-00390-00)
07-00398-00	Software Card Programmer
07-00409-00	1-1/8 Inch, 3/8 Inch Drive, Used on Economizer Valve
07-00410-00	1-3/8 Inch, 3/8 Inch Drive, Used on Suction/Discharge Valve
07-00418-00	Torx Driver Bit
<b>Refer to Manual 62-03213</b>	

# PART NUMBER INDEX

PART NO.	PAGE NO.	PART NO.	PAGE NO.	PART NO.	PAGE NO.
<b>0</b>		10-00431-06	35	14-00215-05	67
04-50029-00	71, 95	10-00431-07	35	14-00220-00	67
04-50029-01	95	10-00431-08	35	14-00220-04	66
07-00176-11	122	10-00439-01	35	14-00221-03	66
07-00228-00	122	10-00446-02	53	14-00222-02	67
07-00229-00	122	10-00455-00	91	14-00232-31	63
07-00238-00	122	10-01129-05	43, 118	14-00247-01	97
07-00243-10	122	10-01129-10	118	14-00247-20	97
07-00277-00	122	10-01129-11	43, 118, 119	14-00284-20	65
07-00294-00	122	10-01129-12	43	14-00341-07	65
07-00294-05	122	10-01129-15	53	14-00341-07PK25	65
07-00295-00	122	10-01129-20	37, 38, 53	14-00351-00	61
07-00304-00	122	12-00170-08	105, 107, 109, 112, 114, 117	14-00361-01	61
07-00329-00	122			14-00361-16	61
07-00330-00	122	12-00275-19SV	41	14-00393-00SV	97
07-00375-00	122	12-00290-04	39	14-00393-10	97
07-00391-00	122	12-00309-05	61	14-01032-14	66
07-00397-02	122	12-00342-04	25	14-01090-12	63
07-00397-03	122	12-00352-00	61	14-01091-04	65
07-00398-00	122	12-00413-05SV	121	14-01092-15	67
07-00406-00	121	12-00433-03RP	50	18-10136-22	59
07-00408-00	122	12-00464-07	87		
07-00409-00	122	12-00464-08	88	<b>2</b>	
07-00410-00	122	12-00495-02SV	49, 105, 107 109, 111, 112, 113, 114, 116, 117	22-00049-01	37, 38
07-00418-00	122			22-00119-03	74
07-00462-00	122			22-00119-04	74
07-00477-00	122	12-00500-01SV	49, 99, 105 107, 109, 112, 114, 117	22-00518-01	37, 38
08-00319-20	69			22-00519-01	38
09-00375-00	43			22-00519-03	37, 38
		12-00528-00	121	22-00872-02	75
<b>1</b>		12-00573-03SV	41	22-01197-20	119
10-00083-06	80	12-00594	43	22-01292-02	35
10-00083-07	80	12-00615	43	22-01455-03	53
10-00083-08	80	12-00653-00	59	22-01556-00	41
10-00332-21SV	35	12-01071-02	67	22-01556-01	119
10-00388-00	11, 13	12-50089-00	25	22-01556-02	119
10-00398-00	11, 13	12-55009	43	22-01556-04	118
10-00413-00	99	14-00176-01	97	22-01556-06	118

# PART NUMBER INDEX

PART NO.	PAGE NO.	PART NO.	PAGE NO.	PART NO.	PAGE NO.
22-01566-01	105, 107 109, 111, 112, 113 114, 116 117	22-01660-02	23	22-01829-40	112
		22-01660-03	55, 105, 107 109, 112 113, 114 116, 117	22-01835-00	11, 105, 107 109, 111 112, 113 114, 116 117
22-01602-02	17, 18	22-01660-05	23, 55, 56		
22-01602-03	17, 18	22-01660-08	9	22-01836-00	111, 113 116
22-01604-00	38	22-01679-00	79, 80	22-01884-00	75
22-01613-04	111, 114 116	22-01679-03	81	22-01906-00	75
22-01613-05	111, 114 116	22-01713-16	85, 87	22-01927-00	75
		22-01713-18	85	22-01932-00	75
22-01613-06	99, 111, 114 116	22-01713-41	53	22-01944-00	104, 105 106, 107 108, 109 111, 113 116
		22-01713-42	53		
22-01613-07	99, 111, 114 116	22-01713-43	53		
22-01613-08	11	22-01733-01	17, 18		
22-01613-09	11	22-01735-00	118, 119	22-01944-05	104, 105 106, 107 108, 109 111, 113 116
22-01613-10	9, 11, 13 109	22-01737-00	121		
		22-01737-01	121		
22-01613-11	9, 11, 13 109	22-01737-02	121	22-01944-10	104, 105 106, 107 108, 109 111, 113 116
		22-01743-00	121		
22-01613-12	105, 107 109, 111 112, 114 116, 117	22-01744-00	75		
		22-01777-00	104, 106 108, 110 113, 115	22-01997-04	95
22-01613-13	9, 109			22-01997-05	71
22-01613-14	25, 105, 107 109, 113 116	22-01777-01	104, 106 108, 110 113, 115	22-01997-06	119
				22-01997-08	119
22-01613-15	25	22-01777-02	104, 106 108, 110 113, 115	22-01997-10	71, 95
22-01613-15	99			22-01997-12	119
22-01613-18	111, 113 116	22-01777-03	11, 104, 105 106, 107 108, 109 110, 111 113, 115 116	22-01997-13	119
				22-01997-14	119
22-01613-19	111, 113 116			22-01997-16	119
				22-01997-17	119
22-01613-22	111, 114 116	22-01777-06	104, 106 108, 110 113, 115	22-01997-20	119
				22-01997-21	119
22-01613-26	111, 114 116			22-01997-22	119
		22-01777-07	104, 106 108, 110 113, 115	22-02188-00	75
22-01614-06	105, 107, 109, 111 113, 114 116, 117			22-02205-00	23, 39, 55 56
		22-01778-00	79		
22-01622-01	119	22-01829-36	110	22-02232-01	74, 75
22-01622-03	119	22-01829-37	115	22-02319-03	17
22-01660-00	105, 107 109, 111 114, 117	22-01829-38	104, 108	22-02319-05	79, 80
		22-01829-39	106	22-02319-06	79, 80

# PART NUMBER INDEX

PART NO.	PAGE NO.	PART NO.	PAGE NO.	PART NO.	PAGE NO.
22-02322-00	75		112, 115	34-00655-18	61
22-02324-01	74, 75		119	34-00655-28	17
22-02324-02	75	22-04128-00	59	34-00662-08	15
22-02324-05	74, 75	22-04128-10	59	34-00662-09	49
22-02324-09	118	22-04128-11	59	34-00662-13	67
22-02324-11	74, 75	22-04128-12	59	34-00663-07	35
22-02336-02	43	22-04128-13	59	34-00663-08	29, 88
22-02336-04	53	22-04186-00	109	34-00663-09	27, 28, 29
22-02336-08	43	22-04186-01	112		30, 31, 35
22-02341-01	38, 39	22-04186-02	107		50, 59, 87
22-02375-00	75	22-04186-03	105	34-00663-11	72, 95, 97
22-02378-00	74, 75	22-04186-04	109		99
22-02392-00	105, 107	22-04186-05	107	34-00666-09	91
	109, 111	22-04186-06	105	34-00667-05	38
	113, 116	22-04186-07	109	34-00667-11	45, 63, 77
22-02392-03	15	22-04186-08	110		79, 80
22-02393-01	105, 107	22-04186-09	115	34-00667-12	71, 79, 80
	109, 111	22-06163-15	11, 13	34-00792-07	57
	113, 116	22-50127-00	25	34-00795-09	29, 61, 79
22-02394-02	105, 107	22-66651-00	74		87
	109, 111	24-00006-02	99	34-00795-17	95
	112, 113	24-66601-00	99	34-00848-10	38
	114, 116	24-66602-00	99,	34-00928-01	45, 46, 47
	117				87, 88
22-02394-03	111, 113			34-00928-02	9, 33, 45
	116				79, 80, 101
22-02394-04	105, 107				103
	109, 111	<b>3</b>		34-00928-03	11, 39, 49
	113, 116				69, 101, 103
22-02401-00	121	30-00407-02SV	43	34-00928-04	17, 18, 69
22-02412-01	55, 109	30-00415-01	11, 13		101, 103
22-02412-02	109	33-01735-00	104, 106	34-00928-06	15
22-02413-00	55		108, 110	34-00928-07	23, 72, 73
22-02418-02	121	34-00373-07	112, 115		99
22-02420-00	121		11, 13, 65	34-00928-09	15, 25, 88
22-02448-00	105, 107	34-00373-51	99		91, 97, 101
	109, 111	34-00373-52	61	34-00928-13	21, 83
	113, 116	34-00373-53	97	34-01142-01	45, 46, 47
22-04016-00	104, 106	34-00373-54	61		87, 88
	108, 110	34-00616-06	63	34-01150-03	101
	112, 115	34-00655-04	95	34-01150-06	101
22-04031-00	119	34-00655-08	53, 69	34-01150-30	101
22-04031-01	104, 106		7, 8, 9	34-01150-31	101
	108, 110		11, 35, 69	34-01167-01	27, 28, 29
	112, 115		95		30, 31
22-04032-00	104, 106	34-00655-10	35, 45		
	108, 110				

# PART NUMBER INDEX

PART NO.	PAGE NO.	PART NO.	PAGE NO.	PART NO.	PAGE NO.
34-01178-22	35, 51, 53	34-06154-00	5, 7, 8	40-00520-03	61
34-01178-23	51		9, 11, 18	40-00542-00	61
34-01181-01	71, 79, 80	34-06165-08	49	40-00542-01	61
34-01181-02	69		95	40-00555-06	67
34-06051-32	51, 87, 99	34-06169-00	27, 28, 29	40-00583-05	61
34-06051-36	72		30, 31, 73	40-00583-20	61
34-06053-00	18, 27, 28	34-06179-00	87, 88	40-00601-05	11, 13
	29, 30, 31	34-06179-04	73, 87	40-00640-00	11
	49, 53, 61	34-06185-01	87	40-00663-00	61
	63, 65, 67	34-06212-10	7, 8, 9	40-00665-21	61
	69, 77, 79,		27, 31, 37	40-00667-00	61
	83, 87, 88	34-06212-12	39, 46	40-00668-00	63
34-06053-02	67, 71, 79		5, 7, 8	40-00675-00	61
	80		9, 11	40-01124-00	61
34-06053-03	45, 49, 65	34-06223-00	41	40-01129-00	67
	72, 73, 77	34-06236-00	59	40-66615-00	83
	81, 85, 87	34-06251-00	50	40-66616-00	83
	90	34-06262-00	91	42-00032-00	63
34-06053-04	91	34-06277-02	59	42-00032-13	65
34-06053-05	27, 28, 29	34-06286-00	91	42-00174-101	103
	30, 31, 45	34-06287-00	91	42-00174-57	55
	46, 56, 61	34-06295-00	61	42-00667-12	97
	63, 65, 77	34-66621-04	29	42-00183-08	59, 97
	79, 80, 87	34-66627-00	7	42-00233-01	91
34-06053-10	79, 80	34-66629-05	27, 31	42-00243-04	65
34-06053-11	47		37, 39	42-00243-12	61
34-06053-13	5, 7, 8	34-66630-00	37, 39	42-00270-02	27, 28, 29
	9, 11, 35	34-66633-09	46		30, 31
	49, 85, 87	34-66635-00	88	42-00271-00	39
34-06053-14	88	34-66638-00	65	42-00295-00	91
34-06053-15	57	34-66642-09	15	42-00295-01	91
34-06053-18	90	38-00585-00	71	42-00296-01	5, 7, 8
34-06053-19	7, 8, 9	38-00599-00	95,		9, 15
34-06053-20	59			42-00327-00	5, 7, 8
34-06053-22	69				9, 15
34-06092-00	90			42-00328-00	79, 80
34-06107-00	27, 28, 29			42-00334-00	101, 103
	30, 31			42-00366-00	79
34-06136-01	77, 79, 80			42-00384-02	61
34-06136-02	79, 80	40-00108-03	11, 13	42-00389-03	63
34-06139-00	33	40-00130-03	97	42-00390-00	63
34-06139-01	33	40-00130-07	63		
34-06139-03	55	40-00169-04	63		
34-06139-04	33, 55, 56	40-00297-00	11, 13		
34-06142-00	23, 55, 56	40-00520-01	65		
34-06152-00	33	40-00520-02	61		

## 4



# PART NUMBER INDEX

PART NO.	PAGE NO.	PART NO.	PAGE NO.	PART NO.	PAGE NO.
42-00407-00	7, 8, 9	54-00615-20	95	58-00969-00	7, 8, 9 51, 89
42-00425-109	97	56-07257-11	61	58-00989-03	83
42-00425-110	61	56-07911-00	63	58-01097-00	55
42-00425-112	61	56-08480-00	66	58-01184-00	41, 43
42-00425-114	61	56-08481-00	67	58-01184-01	41
42-00425-69	65	56-08502-01	97	58-04026-03	69
42-00425-78	65	56-08602-00	97	58-04026-07	77, 79
42-00425-93	65	56-08616-00	97	58-04026-08	69
42-00465-00	90	56-08617-00	97	58-04026-17	79, 80
42-00595-00	49	56-08618-00	97	58-04026-21	69
42-00596-00	49	56-08634-01	61	58-04026-22	81
42-00597-00	49	56-08635-00	61	58-04026-25	79, 80
42-00597-01	49	56-08638-00	61	58-04026-32	45, 46, 47
42-00608-00	37, 39	56-08642-00	67	58-04026-41	69
42-00611-00	29	56-08644-00	66	58-04026-42	69
42-00667-13	97	56-08689-00	61	58-04026-44	69
42-00667-249	65	56-08710-00	63	58-04026-50	69
42-00667-27	65	56-08736-00	63	58-04026-52	67
42-00667-28	65	58-00065-46	51, 97	58-04026-56	15
42-00667-30	65	58-00065-71	83	58-04026-57	69
42-01098-01	87	58-00065-72	83	58-04026-59	63
42-66617-00	83	58-00065-77	11, 87	58-04026-61	66
44-00285-54	61	58-00065-78	11	58-04026-70	45
44-00300-00	27, 28, 29 30, 31	58-00065-82	49	58-04026-73	88
44-00343-00	33	58-00065-84	11	58-04026-74	29, 88
44-00361-00	11, 35, 51 99	58-00065-91	97	58-04026-77	69
44-00370-03	65, 97	58-00616-00	18	58-04026-80	46
44-00374-00	73, 87	58-00616-02	87	58-04101-00	27, 28, 29 30, 31
44-00391-00	37, 39	58-00701-03	45	58-04101-01	27, 28, 29 30, 31
44-00423-00	49	58-00836-19	63, 91	58-04101-07	73, 87
44-01041-04	51	58-00848-23	35	58-04127-00	83
44-66605-00	29, 88	58-00849-03	49	58-04127-03	83
46-00025-04	59	58-00849-20	49	58-04127-05	83
48-00377-00	91	58-00850-00	104, 106 108, 110 112, 115	58-04127-06	83
48-00413-00	95	58-00906-16	53	58-04127-07	83
48-66611-00	29, 88	58-00956-00	67	58-04162-01	92
		58-00957-00	67	58-04170-01	83
		58-00967-00	35, 45		
54-00586-20	71				

# PART NUMBER INDEX

PART NO.	PAGE NO.	PART NO.	PAGE NO.	PART NO.	PAGE NO.
58-04246-00	35, 53, 59 87	<b>6</b>		66CH1-1002-33	91, 93
58-04251-00	8, 9	62-02719-00	43	66CH1-1012-40	17
58-04251-01	11	62-02785-00	71	66CH1-1172-2	7, 8, 9, 11
58-04251-02	11	62-03957-04	33	66CH1-1172-52	35
58-04263-01	91	62-10381-00	91	66U1-1251-2	35, 77
58-04273-00	35	62-10537-00	91	66U1-1571-14	51
58-04290-00	17	62-10540-00	91	66U1-1571-3	17, 65
58-04290-01	18	62-10540-04	91	66U1-2403	33, 101, 103
58-04291-00	119	62-10557-00	19	66U1-2403-1	27, 28, 29 30, 31
58-04291-01	119	62-10781-00	53	66U1-2552-133	65
58-04302-01	18	62-10781-04	53	66U1-2552-171	49
58-04315-00	35, 51, 99	62-10783-00	53	66U1-2552-185	7, 9, 15 95
58-04316-00	35, 39, 49 53, 55, 56 77, 89	62-10799-04	93	66U1-2583	74
58-04321-16	53	62-10911-00	45	66U1-2583-13	75
58-04321-25	67	62-10914-00	37, 39	66U1-2593-19	45
58-04366-00	27, 28, 29 30, 31	62-10914-01	37	66U1-2593-24	101, 103
58-04376-01	8	62-10914-02	37, 38	66U1-2603	81
58-04376-03	7	62-10914-03	38	66U1-2763-5	67
58-04376-05	9	62-10914-04	38	66U1-3442-2	41
58-04378-01	5	62-10914-05	37	66U1-3632-20	61
58-04389-00	27, 28, 29 30, 31	62-10914-06	38	66U1-3803	35, 61, 65
58-04451-00	59	62-10984-00	91	66U1-3882	11, 13, 17, 23, 25, 33 35, 39, 49 50, 51, 53 55, 56, 59 65, 77, 85 87, 89, 99 105, 107 109, 111 114, 116 119
58-04456-00	39	62-11114-00	50	66U1-3882-2	53
58-04497-01	11, 13	62-11252-00	93	66U1-3882-3	39, 49, 55 56, 59, 61 67, 97
58-04497-04	11, 13	62-11263-02	93	66U1-3882-4	119
58-04539-05	89	62-11270-08	50	66U1-5321-13	7, 8, 9
58-04610-00	49	62-11273-00	72	66U1-5321-2	29, 63, 88
58-04763-00	101, 103	62-11274-00	23		
58-04770-00	95	62-11274-01	25		
58-04821-00	59	62-11275-00	23, 25		
58-66635-00	83	62-11277-00	35		
58-66640-00	15	62-11425-00	53		
58-66642-00	15	62-11427-00	97		
58-66644-00	15	62-66697-00	15		
58-66645-00	15	62-66701-00	15		
		65-00177-05	66		
		65-00194-00	67		

# PART NUMBER INDEX

PART NO.	PAGE NO.	PART NO.	PAGE NO.	PART NO.	PAGE NO.
66U1-5321-3	45, 49, 79 80, 90, 95 97	66U1-5562-2	5, 7, 8 9, 15, 18	68-11989-08	15
66U1-5321-6	38	66U1-5562-7	45	68-11989-10	15
66U1-5321-7	18, 35, 45 49, 51, 53 61, 63, 65 67, 69, 77 79, 81, 83 85, 87, 99	66U1-6651-19	35	68-12417-00	21
66U1-5321-8	11, 13, 27 28, 29, 30 31, 35, 45 50, 56, 63 77, 79, 80 81, 83, 91 99	66U1-6651-2	29	68-12434-02	55
66U1-5331	57	66U1-6651-22	29	68-12635-03	73
66U1-5331-3	51	66U1-6651-24	104, 106 108, 110 113, 115	68-12635-04	73
66U1-5331-4	63	66U1-6651-26	15	68-12635-05	72
66U1-5361	71	66U1-6782	75	68-12635-06	72
66U1-5361-11	77	66U1-6782-3	75	68-12635-21	73
66U1-5361-25	49, 65, 67 69, 72, 77 81, 83, 85 87, 90 97	66U1-6811-12	30, 31, 73	68-12635-22	72
66U1-5361-50	7	66U1-6811-15	28, 29	68-12658-01	85
66U1-5361-7	67	66U1-6811-16	88	68-12658-03	85
66U1-5362-1	91	66U1-6811-8	27, 28, 73 87, 88	68-12658-04	85
66U1-5362-2	7, 8, 9	66U1-7352	77	68-12658-20	85
66U1-5371	63	66U1-7352-3	35, 77	68-12933-00	7, 8
66U1-5371-10	61, 83, 99	66U1-7452-3	97	68-12933-05	9
66U1-5371-13	99	66U1-7842-13	35	68-12933-07	9
66U1-5371-14	49, 53	66U1-7842-6	35	68-12940-00	7, 8
66U1-5371-6	11, 13, 49 59, 61, 63 65, 77, 79 80, 81, 97	66U1-7842-7	35	68-12940-03	9
66U1-5371-7	23, 25, 35 39, 43, 45 50, 51, 56 63, 65, 69 79, 80, 87 91, 97, 99	66U1-7982-2	101, 103	68-12940-05	9
66U1-5371-8	65	66U1-8292-1	7, 8, 9	68-13181-00	99
66U1-5381-1	97	66U1-8292-3	75	68-13600-00	99
66U1-5381-3	97	66U1-8662	19	68-13724-00	29, 87
		66U1-9212-1	41	68-13832-00	79
		66U1-9592-13	45	68-13961-00	80
		66U1-9592-18	53	68-14046-00	101, 103
		66U1-9752	37, 39	68-14278-00	63
		66U1-9782	74, 75	68-14278-01	63
		66U1-9782-1	75	68-14373-00	101, 103
		66U2-1081	37	68-14444-00	23
		66U2-1132-1	67	68-14444-01	23
		66U2-1142	67	68-14456-00	77
		66U2-1152	67	68-14456-01	77
		66U2-1531-1	80	68-14456-02	79
		66U2-1531-3	79, 80	68-14482-00	55, 56
		68-11989-00	5	68-14505-00	49
		68-11989-01	5	68-14506-00	49
				68-14550-00	49
				68-14628-00	23

# PART NUMBER INDEX

PART NO.	PAGE NO.	PART NO.	PAGE NO.	PART NO.	PAGE NO.
68-14701-00	25	68-15478-03	65	69NT35-4047-1	90
68-14715-00	15	68-15499-00	97	69NT35-4047-20	90
68-14715-01	15	68-15532-00	61	69NT35-5022-5	87
68-14738-00	11, 13	68-15532-01	61	69NT35-5022-6	29
68-14739-00	11	68-15550-00	97	69NT35-5352-1	87
68-14754-00	69	68-15851-00	69	69NT35-5992	81
68-14796-00	37, 39	68-15851-01	69	69NT35-6112	71
68-14796-01	37	68-15997-00	61	69NT35-6272	45, 46
68-14796-02	37, 38	68-15998-00	61	69NT35-6272-1	46
68-14796-03	38	68-66773-01	45	69NT35-6272-2	46
68-14796-04	38	68-66776-01	45	69NT35-6278	35
68-14796-05	37	68-86013-00	101	69NT35-636-1	23
68-14796-06	38	68-86032-00	88	69NT35-636-2	33
68-14817-00	29	68-86059-00	55	69NT35-6922	91
68-14890-00	97	68-86061-00	46	69NT35-7012	91
68-14891-01	35	68-86080-01	103	69NT35-8012	83
68-14892-00	97	68-86090-00	99	69NT35-8113	57
68-14955-00	91	68-86099-00	99	69NT35-8258	18, 92
68-14999-00	97	68-86100-00	99	69NT35-8348	91
68-15002-01	97	69NP20-1031	65	69NT35-8382	81
68-15146-00	17	69NT-35-2732	99	69NT35-8693-11	69
68-15171-00	65	69NT35-1076	80	69NT35-8734-12	17
68-15171-01	65	69NT35-1076-1	80	69NT35-8734-14	17
68-15172-00	65	69NT35-1287-1	91	69NT35-8734-16	17
68-15172-01	65	69NT35-1417	91	69NT35-8734-4	17
68-15270-00	45	69NT35-2086	79, 80	69NT35-8734-5	17
68-15285-00	69	69NT35-2287-2	47	69NT35-8734-6	17
68-15285-01	69	69NT35-2692	43, 101, 103	69NT35-9073-1	35
68-15343-00	23	69NT35-2692-1	49, 72, 73 77, 85, 87 90, 91, 95	69NT35-9228	91
68-15406-00	97			69NT35-9238	91
68-15411-00	77			69NT35-9952	33, 56
68-15411-01	77	69NT35-2692-4	50, 69	69NT40-222	39
68-15424-00	101	69NT35-3282	101	69NT40-914-4	79, 80
68-15424-01	101, 103	69NT35-3452	71	69NT40-976-3	91
68-15425-00	101, 103	69NT35-3452-1	71	69NT41-192	56
68-15426-00	101, 103	69NT35-3452-2	71	69NT41-192-1	56
68-15476-00	69	69NT35-3452-3	71	69NT41-257-2	90
68-15476-01	69	69NT35-3907	99	69NT41-782	91
68-15477-02	63	69NT35-3987	21	69NT41-852-1	90
68-15477-03	63	69NT35-3997-1	21	69NT41-892	79, 80
68-15478-02	65	69NT35-4047	90	69NT41-982-3	45

# PART NUMBER INDEX

PART NO.	PAGE NO.	PART NO.	PAGE NO.	PART NO.	PAGE NO.
69NT43-124-4SV	33	77-01223-07	55	79-66655-04	29
69NT43-125-1	33	77-01223-10	56	79-66655-05	30
69NT43-256	87, 88	77-01223-11	55	79-66655-06	28
69NT43-270	80	77-01223-12	55	79-66655-07	31
69NT43-270-1	79	77-01223-13	56	79-66655-08	27
69NT43-282	79, 80	77-01223-17	55	79-66655-09	31
69NT43-295	95	77-01777-07	104, 106	79-66655-10	27
69NT43-307	90		108, 110	79-66669-00	37
69NT43-374	79, 80		113, 115		
		79-01695-00	7		
<b>7</b>		79-01697-06SV	5	<b>8</b>	
		79-01697-17SV	5	81-04056-20	97
74-66608-02	28	79-01785-02	66	81-04066-00	67
76-00667-03	80	79-01879-00	25	81-04067-00	63
76-00667-04	79	79-01925-00	91	86-04217-01	88
76-00675-01	99	79-01934-00	91	86-04217-02	87
76-00676-00	25	79-01977-00	61	86-04217-03	88
76-00681-01	17	79-66626-00	9	86-04461-00	27, 28, 30
76-00681-02	17	79-66626-01	9		31
76-00701-10	87	79-66635-00	72	86-04461-01	29
76-00701-11	88	79-66635-01	72	86-04461-02	30
76-00746-08	101	79-66635-02	72	86-04461-03	27
76-00746-09	101	79-66635-03	73	86-04461-20	28, 31
76-00746-10	103	79-66635-04	73	86-04637-00	72, 73
76-00800-00	67	79-66635-05	73	86-04637-01	72, 73
76-00816-00	61	79-66635-06	73	86-04637-02	72, 73
76-00818-01	61	79-66635-07	73	86-66689-00	45
76-50058-00	121	79-66635-08	73	86-66704-00	15
76-50059-00	121	79-66640-00	15	86-66704-01	15
76-50116-00	91	79-66641-00	15		
76-50116-01	91	79-66641-01	15	<b>9</b>	
76-50116-02	91	79-66642-00	15	91-00382-00	118
76-50116-03	91	79-66643-00	11, 13, 15	91-00382-01	118
76-50116-04	91	79-66643-01	11, 13, 15	91-00382-03	119
76-50136-00	91	79-66648-00	45, 46, 47	91-00382-04	118
76-50149-00	43	79-66648-01	46	91-00382-05	119
77-01223-00	56	79-66648-02	46	91-00382-06	119
77-01223-02	55	79-66655-00	27	91-00382-07	118
77-01223-04	56	79-66655-01	30		
77-01223-06	56	79-66655-03	29		

# PART NUMBER INDEX

PART NO.	PAGE NO.	PART NO.	PAGE NO.	PART NO.	PAGE NO.
<b>A</b>		AU27JR171	45, 49, 79 80	<b>K</b>	
AA06JA166	97			KA70PP048	11, 13
AA06JA170	79	<b>D</b>			
AT39JA171	45			<b>M</b>	
AU27JR131	33, 99	DE35BA303	97	MS510074	38





A member of the United Technologies Corporation family.  
Stock symbol UTX



**United  
Technologies**

Climate | Controls | Security

Carrier Transicold Division,  
Carrier Corporation  
P.O. Box 4805  
Syracuse, N.Y. 13221 U.S.A

[www.carrier.transicold.com](http://www.carrier.transicold.com)