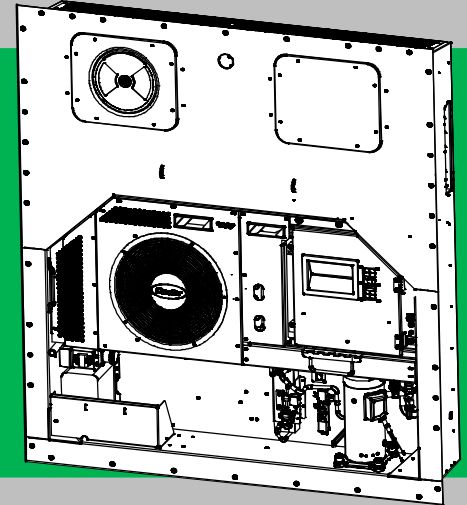
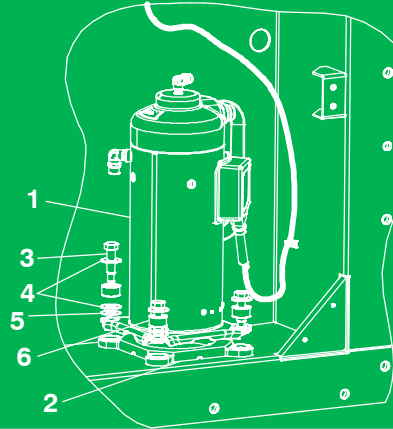
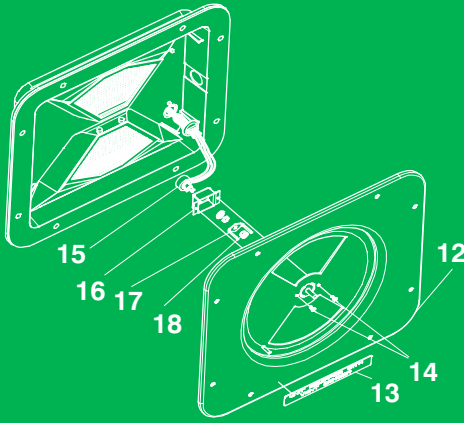




# Container Refrigeration



## SERVICE PARTS LIST

For

### 69NT40-561-300 to 399

### Container Refrigeration Units





# **SERVICE PARTS LIST CONTAINER REFRIGERATION UNIT**

**Model**

**69NT40-561-300 to 399**



# TABLE OF CONTENTS

<b>PARAGRAPH NUMBER</b>	<b>Page</b>
INTRODUCTION .....	i
CONFIGURATION IDENTIFICATION .....	i
FEATURE DESCRIPTIONS .....	i
OPTION DESCRIPTIONS .....	i
ORDERING INSTRUCTIONS .....	iii
LETTER DESIGNATIONS .....	iii
1 REFRIGERATION UNIT ASSEMBLY .....	1
1.1 REFRIGERATION UNIT – AREA LOCATOR .....	1
1.2 AIR EXCHANGE KIT, LOWER, NONE, HANDLE .....	3
1.3 UPPER FRESH AIR – VPS Panel .....	5
1.4 UPPER FRESH AIR – Blank Panel .....	7
1.5 BACK PANEL KIT .....	8
1.6 BOX PREP KIT .....	9
1.7 BULKHEAD PENETRATION – UPPER AIR EXCHANGE .....	11
1.8 CABLE ASSEMBLY .....	13
1.8 CABLE ASSEMBLY (Continued) .....	14
1.9 CABLE KIT .....	15
1.10 COMPRESSOR ASSEMBLY .....	17
1.11 COMPRESSOR TUBING .....	18
1.12 CONDENSER KIT, COIL & COVERS .....	21
1.12 CONDENSER KIT, COIL & COVERS (Continued) .....	22
1.12 CONDENSER KIT, RECIEVER, HEAT EXCHANGER SECTIONS .....	23
1.12 CONDENSER KIT, ECONOMIZER SECTION .....	24
1.13 CONDENSER FAN KIT .....	27
1.14 CONTROLLER KIT .....	29
1.14 CONTROLLER KIT (Continued) .....	30
1.14 CONTROLLER KIT (Continued) .....	31
1.14 CONTROLLER KIT (Continued) .....	32
1.15 CONTROLLER MODULE SECTION AND SOFTWARE CARDS .....	33
1.17 DRAIN KIT .....	37
1.18 HEATER KIT .....	38
1.19 EVAPORATOR FAN AND MOTOR KIT .....	39
1.20 EVAPORATOR TUBING AND COIL .....	41
1.21 FRAME KIT .....	43
1.22 HUMIDISTAT KIT .....	45
1.23 INTERROGATE KIT .....	46
1.24 LABEL KIT .....	47
1.25 PANEL KIT .....	48
1.26 RMU KIT .....	49
1.27 USDA .....	50
1.28 WIRING KIT .....	51
1.29 WIRING ASSEMBLY .....	55
1.30 HARNESS – LOW VOLTAGE .....	57
2 TOOLS .....	59



# INTRODUCTION

## 1 INTRODUCTION

The Carrier Transicold model 69NT40-561-300 - 399 series units are of lightweight aluminum frame construction, designed to fit in the front of a container and serve as the container's front wall.

They are one piece, self-contained, all electric units, which include cooling and heating systems to provide precise temperature control.

The units are supplied with a complete charge of refrigerant R-134a and compressor lubricating oil, and are ready for operation upon installation. Forklift pockets are provided for unit installation and removal.

The base unit operates on nominal 380/460 volt, 3-phase, 50/60 hertz (Hz) power. An optional autotransformer may be fitted to allow operation on nominal 190/230, 3-phase, 50/60 Hz power. Control system power is provided by a transformer which steps the supply power down to 18 and 24 volts, single phase.

The controller is a Carrier Transicold Micro-Link 3 microprocessor. The controller operates automatically to select cooling, holding or heating as required to maintain the desired set point temperature within very close limits.

The controller has a keypad and display for viewing or changing operating parameters. The display is also equipped with lights to indicate various modes of operation.

## 2 CONFIGURATION IDENTIFICATION

Unit identification information is provided on a plate located on the back wall of the condenser section. The plate provides the unit model number, the unit serial number and the unit parts identification number (PID). The model number identifies the overall unit configuration, while the PID number provides information on specific optional equipment, factory provisioned to allow for field installation of optional equipment and differences in detailed parts.

## 3 FEATURE DESCRIPTIONS

### 3.1 Control Box

Units are equipped with an aluminum control box, and may be fitted with a lockable door.

### 3.2 Temperature Readout

The unit is fitted with suction and discharge temperature sensors. The sensor readings may be viewed on the controller display.

### 3.3 Pressure Readout

The unit is fitted with evaporator, suction, and discharge pressure transducers. The transducer readings may be viewed on the controller display.

### 3.4 Compressor

The unit is fitted with a scroll compressor equipped with suction and discharge service connections.

### 3.5 Condenser Coil

The unit is fitted with a two-row square formed condenser coil using 7mm tubing.

### 3.6 Condenser Fan Operation

Units are equipped with a three-phase, dual speed condenser fan motor. Opening of condenser fan motor internal protector will stop the fan motor and the controller will subsequently shut down the compressor.

### 3.7 Evaporator

The evaporator section is equipped with an electronic expansion valve (EEV).

### 3.8 Evaporator Fan Operation

Units are equipped with three-phase evaporator fan motors. Opening of an evaporator fan internal protector will shut down the unit.

### 3.9 Plate Set

Each unit is equipped with a tethered set of wiring schematics and wiring diagram plates. The plate sets are ordered using a seven-digit base part number and a two-digit dash number.

## 4 OPTION DESCRIPTIONS

Various options may be factory or field equipped to the base unit. These options are described in the following sub-paragraphs.

### 4.1 Battery

The refrigeration controller may be fitted with standard replaceable batteries or a rechargeable battery pack. Rechargeable battery packs may be fitted in the standard location or in a secure location.

### 4.2 Dehumidification

The unit may be fitted with a humidity sensor. This sensor allows setting of a humidity set point in the controller. In dehumidification mode, the controller will operate to reduce internal container moisture level.

### 4.3 USDA

The unit may be supplied with fittings for additional temperature probes, which allow recording of USDA Cold Treatment data by the integral DataCORDER function of the Micro-Link refrigeration controller.

### 4.4 Interrogator

Units that use the DataCORDER function are fitted with interrogator receptacles for connection of equipment to download the recorded data. Two receptacles may be fitted; one is accessible from the front of the container and the other is mounted inside the container (with the USDA receptacles).

### 4.5 Remote Monitoring

The unit may be fitted with a remote monitoring receptacle. This item allows connection of remote indicators for COOL, DEFROST and IN RANGE. Unless otherwise indicated, the receptacle is mounted at the control box location.

## INTRODUCTION – Continued

### 4.6 Quest – CCPC

Compressor–Cycle Perishable Cooling (CCPC) is a method of temperature control used during steady–state perishable cooling that cycles the compressor on and off according to supply / return air temperature conditions.

### 4.7 Communications Interface Module

The unit may be fitted with a communications interface module. The communications interface module is a slave module which allows communication with a master central monitoring station. The module will respond to communication and return information over the main power line. Refer to the ship master system technical manual for further information.

### 4.8 Autotransformer

An autotransformer may be provided to allow operation on 190/230, 3–phase, 50/60 Hz power. The autotransformer raises the supply voltage to the nominal 380/460 volt power required by the base unit. The autotransformer may also be fitted with an individual circuit breaker for the 230 volt power.

If the unit is equipped with an autotransformer and communications module, the autotransformer will be fitted with a transformer bridge unit (TBU) to assist in communications.

### 4.9 Gutters

Rain gutters may be fitted over the control box to divert rain away from the controls.

### 4.10 Handles

The unit may be equipped with handles to facilitate access to stacked containers. These fixed handles are located on either side of the unit.

### 4.11 Thermometer Port

The unit may be fitted with ports in the front of the frame for insertion of a thermometer to measure supply and/or return air temperature. If fitted, the port(s) will require a cap and chain.

### 4.12 Back Panels

Aluminum back panels may have access doors and/or hinge mounting.

### 4.13 460 Volt Cable

Various power cable and plug designs are available for the main 460 volt supply. The plug options tailor the cables to each customer's requirements.

### 4.14 230 Volt Cable

Units equipped with an autotransformer require an additional power cable for connection to the 230 volt source. Various power cable and plug designs are available. The plug options tailor the cables to each customer's requirements.

### 4.15 Cable Restraint

Various designs are available for storage of the power cables. These options are variations of the compressor section cable guard.

### 4.16 Upper Air (Fresh Air Make Up)

The unit may be fitted with an upper fresh air makeup assembly. The fresh air makeup assembly is available with a vent positioning sensor (VPS) and may also be fitted with screens.

### 4.17 Lower Air (Fresh Air Make Up)

The unit may be fitted with a lower fresh air makeup assembly. The fresh air makeup assembly is available with a vent positioning sensor (VPS) and may also be fitted with screens.

### 4.18 Labels

Safety Instruction and Function Code listing labels differ, depending on the options installed. Labels available with additional languages are listed in the parts list.

### 4.19 Controller

Two replacement controllers are available:

1. Remanufactured – Controller is the equivalent of a new OEM controller and is supplied with a 12–month warranty.
2. Repaired – Controller has had previous faults repaired and upgraded with the latest software.

Note: Repaired controllers are NOT to be used for warranty repairs; only full OEM Remanufactured controllers are to be used.

Controllers will be factory–equipped with the latest version of operational software, but will NOT be configured for a specific model number and will need to be configured at the time of installation or sale.

### 4.20 Condenser Grille

Condenser grilles are direct bolted.

### 4.21 Emergency Bypass

The optional Emergency Bypass switch (EB) functions to bypass the controller in the event of controller failure.

### 4.22 eAutoFresh

The optional eAutoFresh venting system moderates the atmospheric level inside the container unit in response to cargo respiration.

### 4.23 XtendFRESH

Unit may be modified for XtendFRESH atmosphere device. Refer to the T366 XtendFRESH manual for more information.



## INTRODUCTION – Continued

### 5 ORDERING INSTRUCTIONS

All orders and inquiries for parts must include: Parts Identification Number (**PID**), Model Number, Unit Serial Number, Part Number, description of part as shown on list, and quantity required. Address all correspondence for parts to the following address:

CARRIER TRANSICOLD DIVISION  
Replacement Components Group, TR-20  
P.O. Box 4805, Syracuse, New York 13221  
or FAX to: (315) 432-3778

### 6 LETTER DESIGNATIONS

The following letter designations are used to classify parts throughout this list:

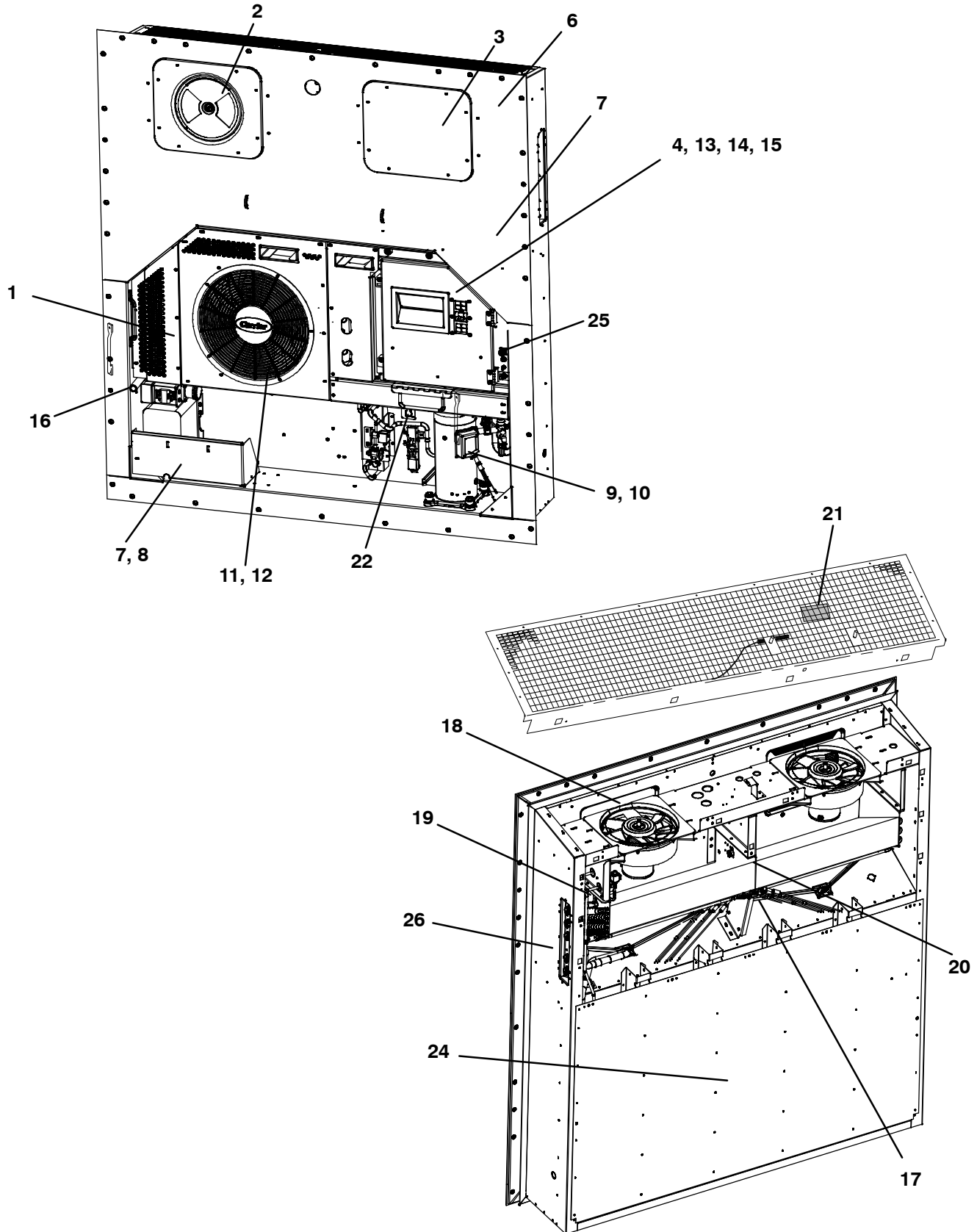
- A/R = *As Required*
- N/A = *Not Available*
- NS = *Not Shown* in illustration
- NSS = *Not Sold Separately* - order next higher assembly or kit
- PID = *Parts Identification Number* - essential to identify unit configuration.
- PL = *Purchase Locally*
- SST = *Stainless Steel* - 300 Series unless otherwise specified.
- SV = Suffix *SV* - added to part number designates service replacement part.





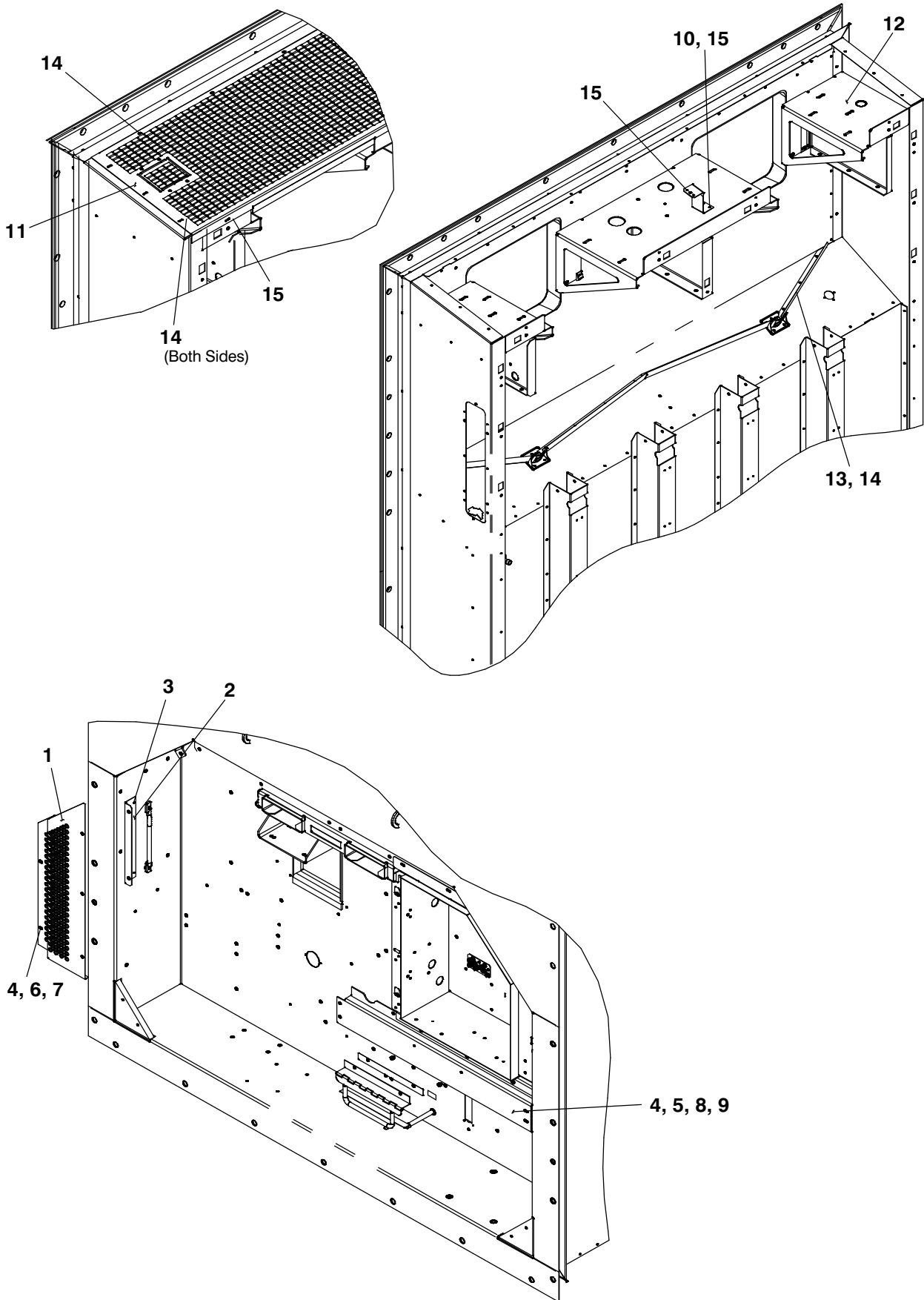
**1 REFRIGERATION UNIT ASSEMBLY**

**1.1 REFRIGERATION UNIT - AREA LOCATOR**



<b>1.1 REFRIGERATION UNIT – AREA LOCATOR (Continued)</b>		
<b>Item</b>	<b>Section Number</b>	<b>Area Description</b>
1	Refer to Section 1.2	AIR EXCHANGE KIT, LOWER, NONE, HANDLE
2	Refer to Section 1.3	UPPER FRESH AIR – VPS Panel
3	Refer to Section 1.4	UPPER FRESH AIR – Blank Panel
4	Refer to Section 1.5	BACK PANEL KIT
5	Refer to Section 1.6	BOX PREP KIT
6	Refer to Section 1.7	BULKHEAD PENETRATION – UPPER AIR EXCHANGE
7	Refer to Section 1.8	CABLE ASSEMBLY
8	Refer to Section 1.9	CABLE KIT
9	Refer to Section 1.10	COMPRESSOR ASSEMBLY
10	Refer to Section 1.11	COMPRESSOR TUBING
11	Refer to Section 1.12	CONDENSER KIT, COIL & COVERS
		CONDENSER KIT, RECIEVER, HEAT EXCHANGER
		CONDENSER KIT, ECONOMIZER SECTION
12	Refer to Section 1.13	CONDENSER FAN KIT
13	Refer to Section 1.14	CONTROLLER KIT
14	Refer to Section 1.15	CONTROLLER MODULE SECTION AND SOFTWARE CARDS
15	Refer to Section 1.16	CONTROLLER DOOR KIT
16	Refer to Section 1.17	DRAIN KIT
17	Refer to Section 1.18	HEATER KIT
18	Refer to Section 1.19	EVAPORATOR FAN AND MOTOR KIT
19	Refer to Section 1.20	EVAPORATOR TUBING AND COIL
20	Refer to Section 1.21	FRAME KIT
21	Refer to Section 1.22	HUMIDISTAT KIT
22	Refer to Section 1.23	INTERROGATE KIT
23	Refer to Section 1.24	LABEL KIT (not shown)
24	Refer to Section 1.25	PANEL KIT
25	Refer to Section 1.26	RMU KIT
26	Refer to Section 1.27	USDA
27	Refer to Section 1.28	WIRING KIT (not shown)
28	Refer to Section 1.29	WIRING ASSEMBLY (not shown)
29	Refer to Section 1.30	HARNESS – LOW VOLTAGE (not shown)

1.2 AIR EXCHANGE KIT, LOWER, NONE, HANDLE

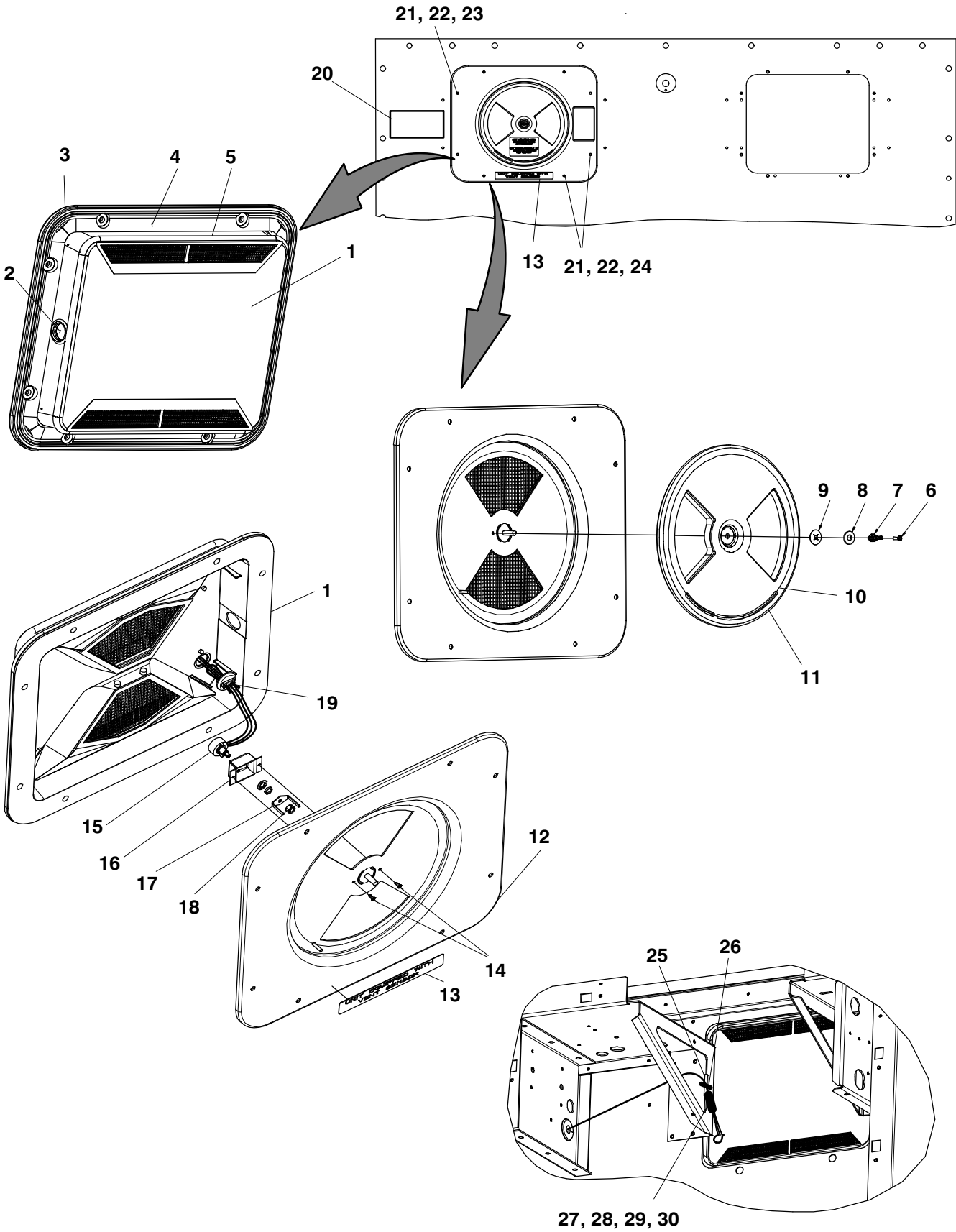


77-01677

<b>1.2 AIR EXCHANGE KIT, LOWER, NONE, HANDLE (Continued)</b>			
<b>Item</b>	<b>Part Number</b>	<b>Description</b>	<b>Qty</b>
1	68-17037-01	Panel White	1
2	68-17118-00	Bracket	1
3	34-00928-20	Rivet, Blind	2
4	66U1-5361-25	Screw, Cap Hex Head 1/4-20 X 0.75	9
5	68-17129-01	Cover, White	1
6	34-06053-18	Washer, Retaining .250 ID X 1.000 OD	4
7	66U1-5321-3	Washer, Plain 1/4 N Type A	5
8	66U1-5321-7	Washer, Plain 1/4 W Type A	2
9	34-06053-00	Washer .250 ID X .800 OD	4
10	68-16521-00	Bracket	1
11	68-16695-00	Grille	1
12	68-16697-00	Fan Deck	1
13	68-17188-00	Gutter	1
14	34-00928-07	Rivet, Blind	16
15	34-00928-09	Rivet, Blind	8

77-01677-01

1.3 UPPER FRESH AIR – VPS Panel



77-01658

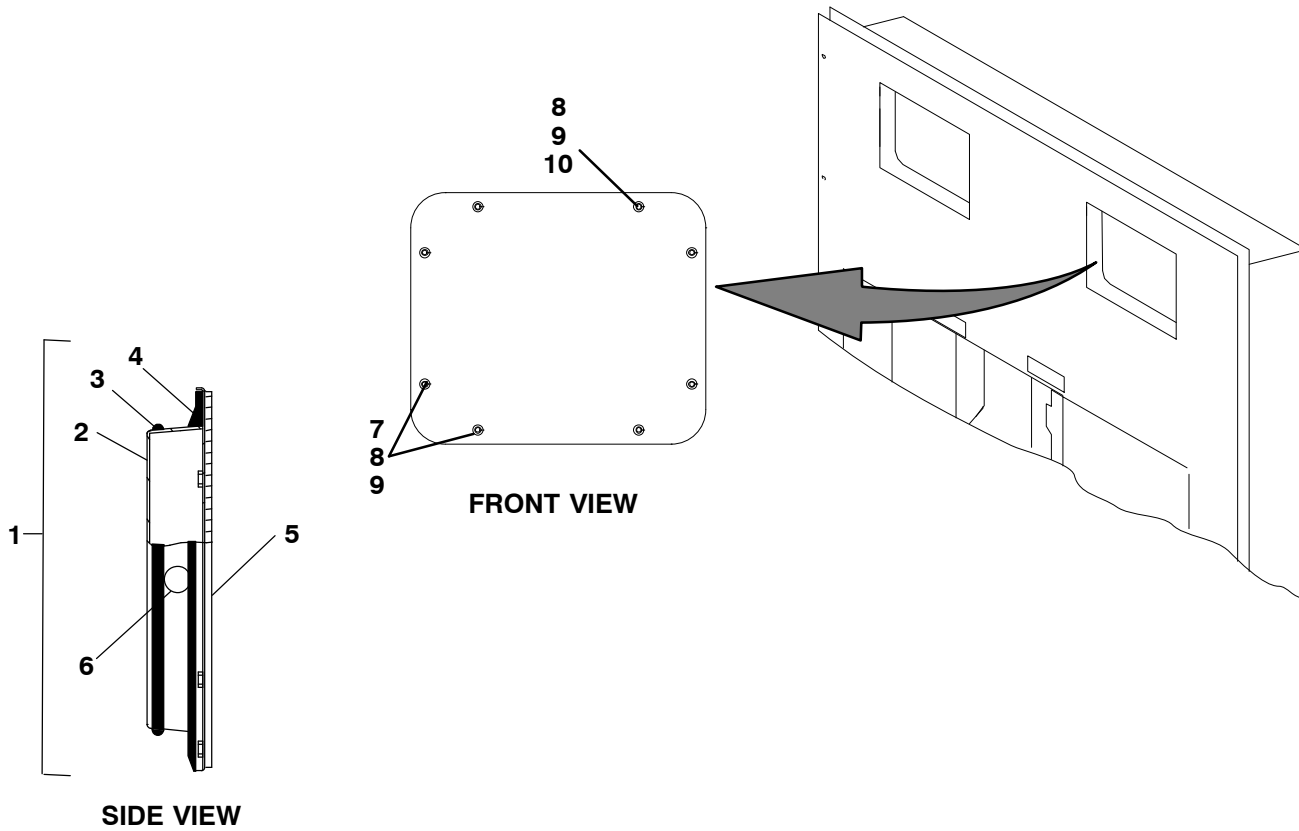


**1.3 UPPER FRESH AIR – VPS Panel (Continued)**

<b>Item</b>	<b>Part Number</b>	<b>Description</b>	<b>Qty</b>
1	79-66626-00	Upper Air Panel Assembly, Access, White – Includes:	1
2	66U1-5562-2	Plug Button, 1.25 Inch Diameter Hole	1
3	68-12940-05	Cover, Top, Evaporator Access Panel, White	1
4	42-00296-01	Gasket, Evaporator Access Panel	1
5	42-00327-00	Gasket, 0.26 X 0.50 Half-Round	1
6	34-06185-01	Screw, Pan Head, #8-32 X 0.50 with Nylock	1
7	66U1-5362-2	Nut, Wing, 5/16-18, SST	1
8	66U1-5321-13	Washer, Plain 5/16 W Type A, SST	1
9	34-06053-19	Washer, Mylar 1.00 OD X 0.312 ID	1
10	42-00407-00	Gasket, 0.50 Fresh Air Disc	1
11	68-12933-07	Disc, 12.35 Inch Diameter, White	1
12	58-04376-05	Panel	1
13	62-10930-00	Label VPS	1
	76-66615-00	Upper VPS Sensor Replacement Includes:	1
14	34-00928-20	Rivet	2
	79-66703-00	Sensor Kit Includes:	2
15	12-00603-02	Sensor Rotary Position	2
16	68-14815-00	Bracket, Sensor .063 Thick Aluminum	2
17	68-14903-00	Plate	1
18	34-66622-05	Nut, Self Lock	2
NS	58-66646-00	Plate	2
19	22-66681-00	Wire Harness Resettable Fuse Assembly	2
20	62-66723-00	Label Fresh Air	1
21	34-06053-13	Washer, Mylar, 1/4 ID X 0.80 OD	8
22	34-06212-12	Washer, Flat, 1/4, SST	8
23	34-00655-08	Screw, Hex Head, 1/4-20 X 1.00 Inch Long	6
24	34-06154-00	Screw, Hex Head, 1/4-20 X 1.00 Inch Long – TIR	2
25	66CH1-1172-2	Trim, Flexible 2.00 Inches Long	1
26	58-00969-00	Wire Tie 2.80 Inch Diameter, Double Loop	1
27	22-01613-10	Plug, 4-Pin	1
28	22-01613-13	Contact, Socket #16	3
29	22-01613-11	Lock, 4-Pin – Secondary	1
30	22-01660-08	Plug, 0.12 Inch Diameter X 0.58	1

77-01658-33

## 1.4 UPPER FRESH AIR – Blank Panel

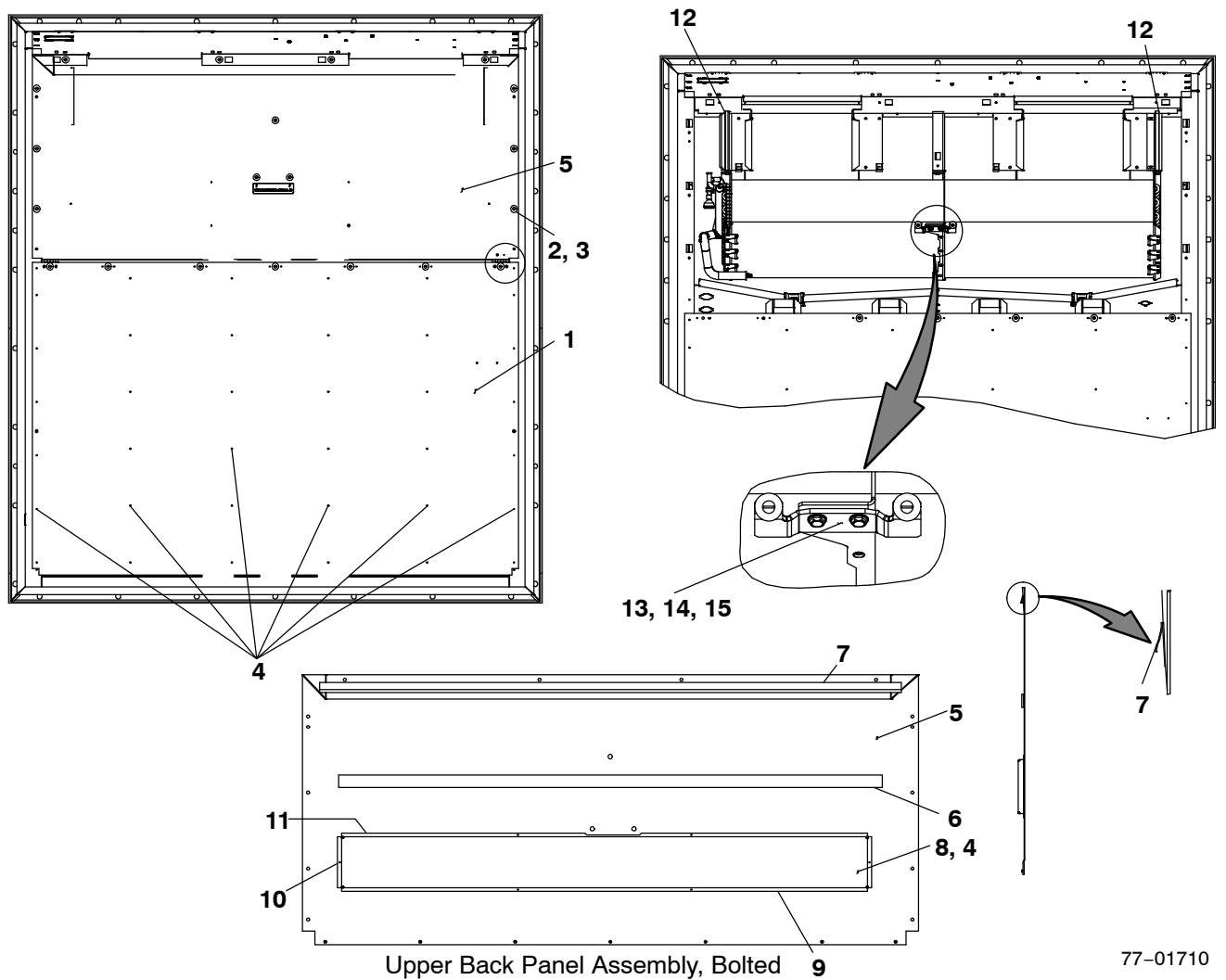


77-01114

Item	Part Number	Description	Qty
1	79-01697-06SV	Panel Assembly, Access, Evaporator, White – Includes:	A/R
2	58-04378-01	Panel, Access	1
3	42-00327-00	Gasket, 0.26 X 0.50 Half-Round	1
4	42-00296-01	Gasket, Evaporator Access Panel	1
5	68-11989-00	Cover, Top, Evaporator Access Panel, White	A/R
6	66U1-5562-2	Plug Button	1
7	34-06154-00	Screw, Hex Head, 1/4-20 X 1.00 Inch Long – TIR	A/R
8	34-06053-13	Washer, Mylar	8
9	34-06212-12	Washer, Plain, 1/4	8
10	34-00655-08	Screw, Hex Head, 1/4-20 X 1.00 Inch Long	A/R

77-01114-07

## 1.5 BACK PANEL KIT

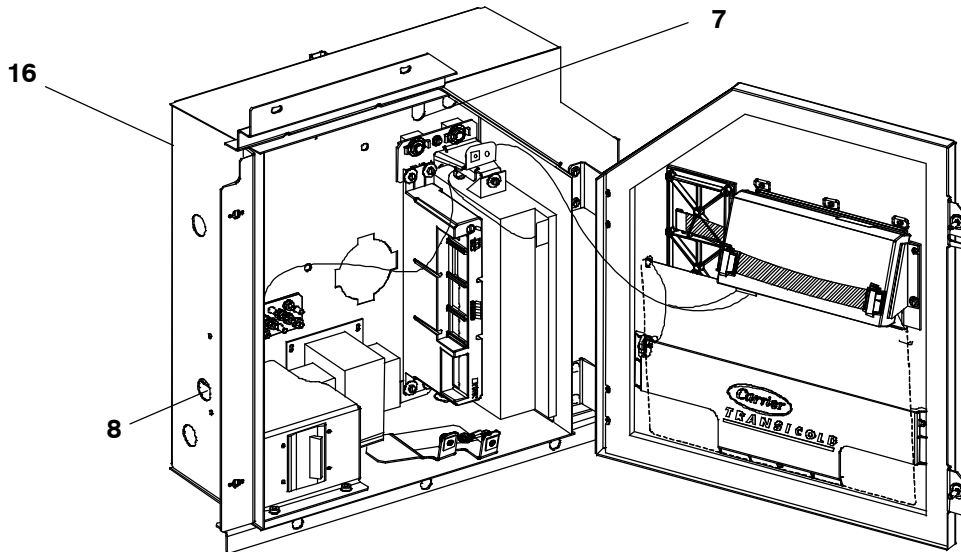
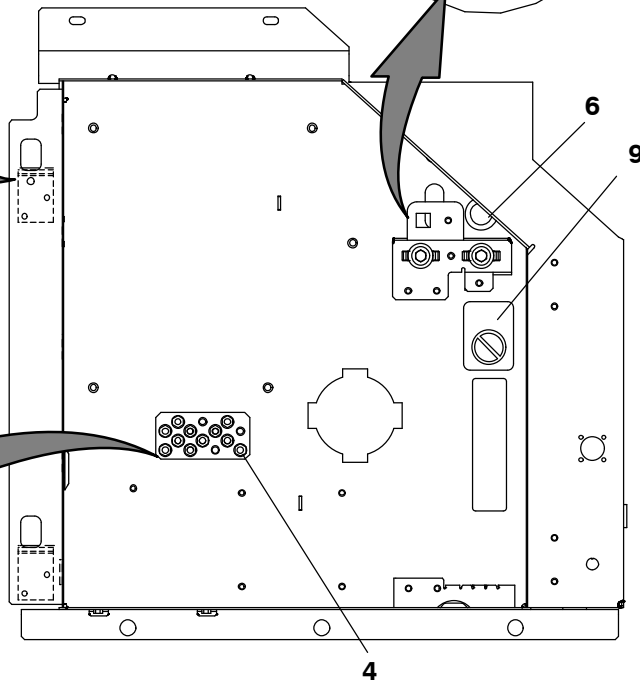
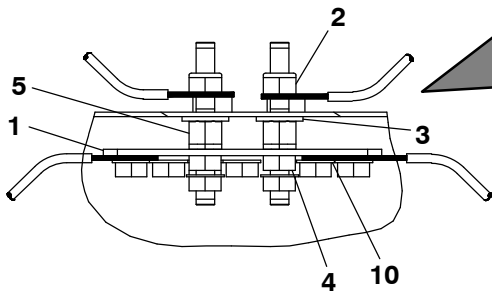
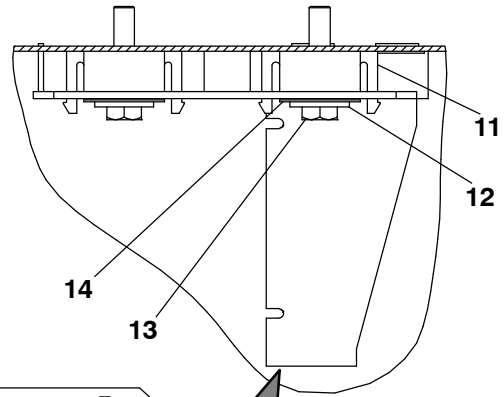
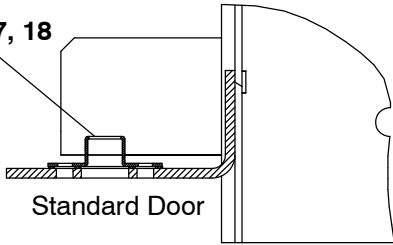


Item	Part Number	Description	Qty
1	68-17361-00	Panel, Back	1
2	69NT-35-2692	Washer, Fender #10	20
3	66U1-2403	Screw, Machine Trhd #10-24 X 0.500	20
	79-04045-00	Upper Back Panel Assembly Includes:	
4	34-00928-20	Rivet, Blind	6
5	68-17293-00	Panel Assembly, Back	1
6	42-00174-34	Gasket	1
7	42-00334-00	Gasket	1
8	68-17337-00	Shield, Heat	1
9	42-00174-110	Gasket	1
10	42-00174-111	Gasket	2
11	42-00174-116	Gasket	1
12	66U1-2593-4	Gasket	2
13	34-00655-04	Screw, Cap Hex Head 1/4-20 X 0.50	2
14	66U1-5321-3	Washer, Plain 1/4 N Type A	2
15	68-17175-00	Bracket	1

77-01710-00,01

1.6 BOX PREP KIT

15, 17, 18



77-01693

**1.6 BOX PREP KIT (Continued)****BOX PREP KIT, COMMON PARTS**

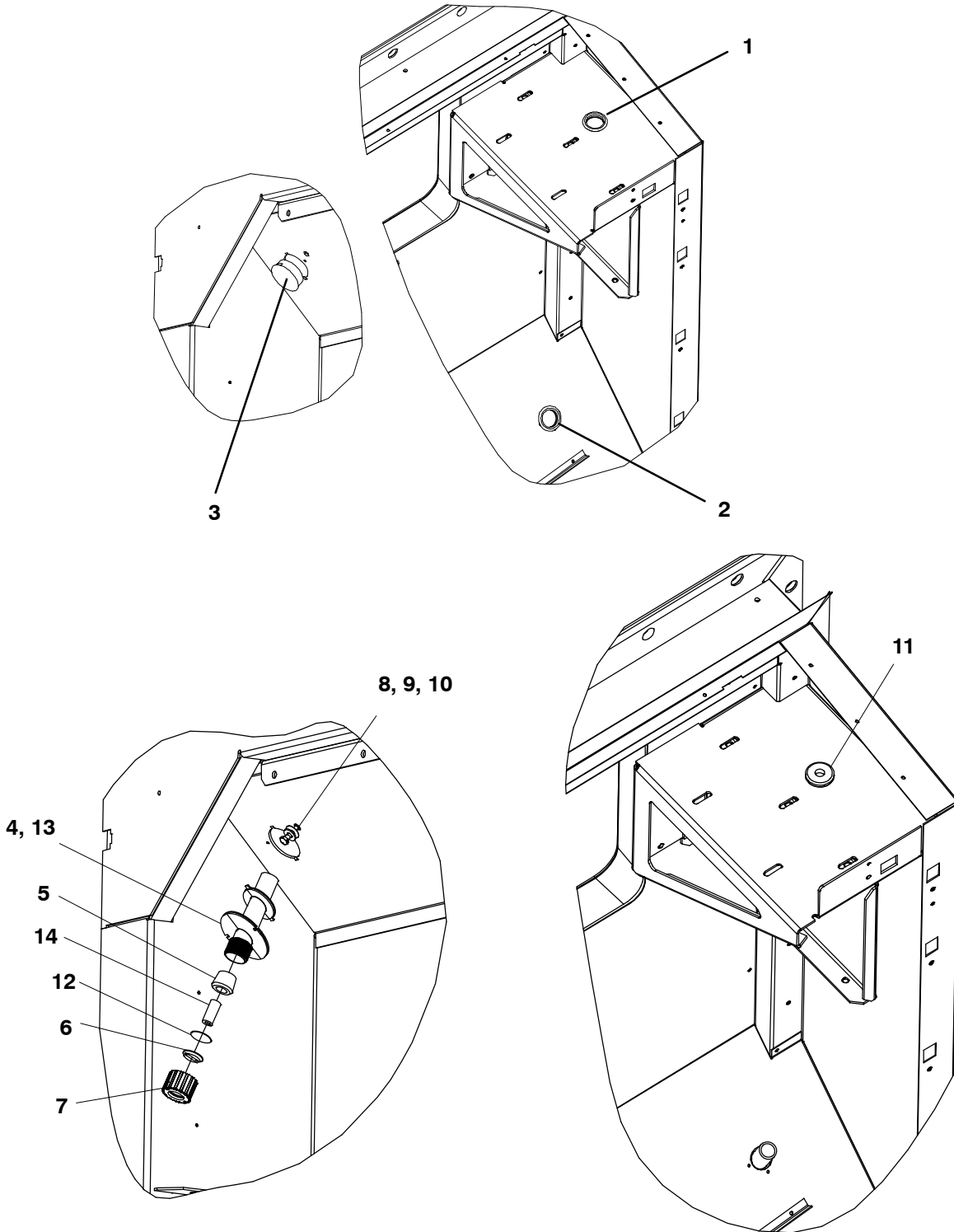
<b>Item</b>	<b>Part Number</b>	<b>Description</b>	<b>Qty</b>
1	68-86230-00	Strap Assembly Ground, All Populated	1
2	34-00667-11	Nut, Self Lock	2
3	66U1-5321-3	Washer, Plain 1/4 N Type A	2
4	AT39JA171	Nut, Hex	13
5	66U1-9592-13	Standoff 1/4-20 X 0.375	2
6	58-00701-03	Plug, Button	3
7	58-04680-00	Plug, Button	1
8	66U1-5562-7	Plug, Button	1
9	62-10911-00	Label, Warning M13 Only !	1
10	AU27JR171	Washer, Lock 1/4	11
11	58-00967-00	Spacer Locking	2
12	66U1-5321-7	Washer, Plain 1/4 W Type A	2
13	34-00655-10	Screw, Cap Hex Head 1/4-20 X 1.25	2
14	34-06053-03	Washer .250 ID X 1.000 OD	4

**BOX PREP KIT, STANDARD PARTS**

15	34-01142-01	Receptacle	2
16	86-05003-01	Control Box, White	1
17	58-04026-32	Protector	2
18	34-00928-01	Rivet, Blind	2

77-01693-00,01

1.7 BULKHEAD PENETRATION – UPPER AIR EXCHANGE



77-01208

**1.7 BULKHEAD PENETRATION – UPPER AIR EXCHANGE (Continued)****NO TRANSFRESH**

<b>Item</b>	<b>Part Number</b>	<b>Description</b>	<b>Qty</b>
1	66U1-5562-12	Plug, Button 1.25 Diameter Hole	1
2	66U1-5562-2	Plug, Button 1.25 Diameter Hole	1
3	58-00616-00	Plug, Hole 2.00 Diameter X .12	1

**BULKHEAD PROVISION**

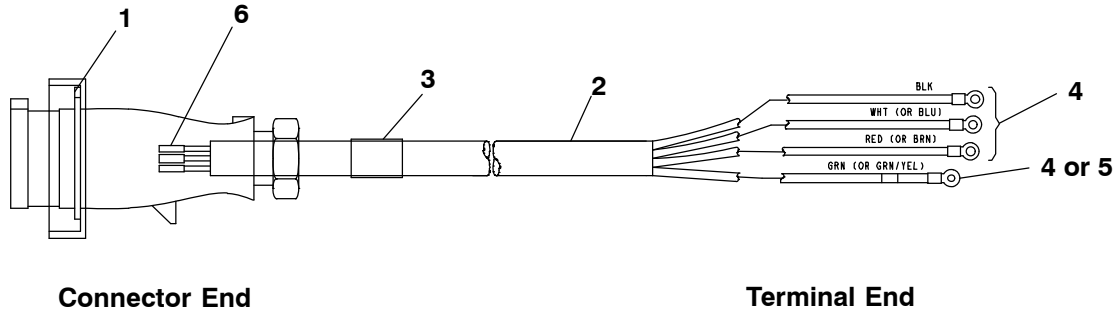
4	58-04290-01	Fitting Bulkhead	1
5	22-01602-02	Bushing	1
6	22-01602-03	Ring	1
7	22-01733-01	Nut	1
8	34-06154-03	Screw, Cap Hex Head 1/4-20 X 1.00	1
9	34-06053-00	Washer .250 ID X .800 OD	1
10	66U1-5321-7	Washer, Plain 1/4 W Type A	1
11	66U1-5562-12	Plug, Button	1
12	69NT35-8258	Disc	1
13	34-00928-20	Rivet, Blind	5
14	58-04302-01	Grommet	1

**TRANSFRESH INSTALLED**

4	58-04290-01	Fitting Bulkhead	1
5	22-01602-02	Bushing	1
6	22-01602-03	Ring	1
7	22-01733-01	Nut	1
8	34-06154-03	Screw, Cap Hex Head 1/4-20 X 1.00	1
9	34-06053-00	Washer .250 ID X .800 OD	1
10	66U1-5321-7	Washer, Plain 1/4 W Type A	1
11	66U1-1571-14	Grommet	1
13	34-00928-20	Rivet, Blind	5
14	58-04302-01	Grommet	1

77-01208-00,03,04

**1.8 CABLE ASSEMBLY**



22-01879



**1.8 CABLE ASSEMBLY (Continued)****460V CABLE ASSEMBLY**

<b>Item</b>	<b>Part Number</b>	<b>Description</b>	<b>Qty</b>
1	22-02378-00	Plug 4 Pole, 440V	1
2	22-66651-12	Cable Transicord Flexline	1
3	66U1-2583	Tube, Heat Shrink	1
4	22-00119-03	Terminal	3
5	22-00119-04	Terminal, Ring	1
6	22-02324-01	Bushing	4

**460V CABLE ASSEMBLY**

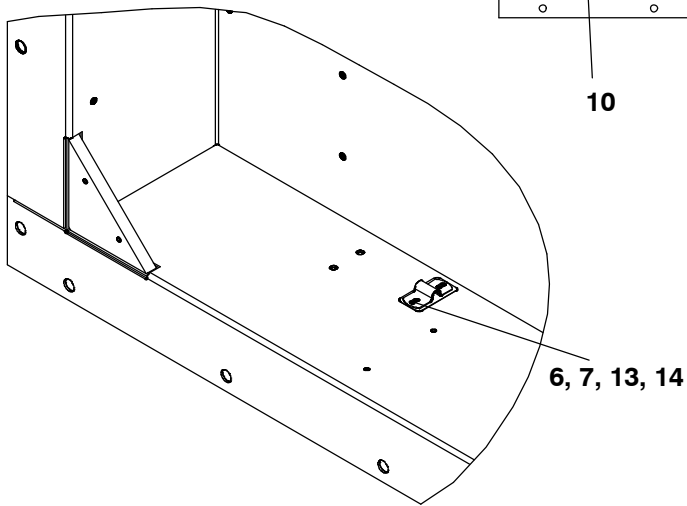
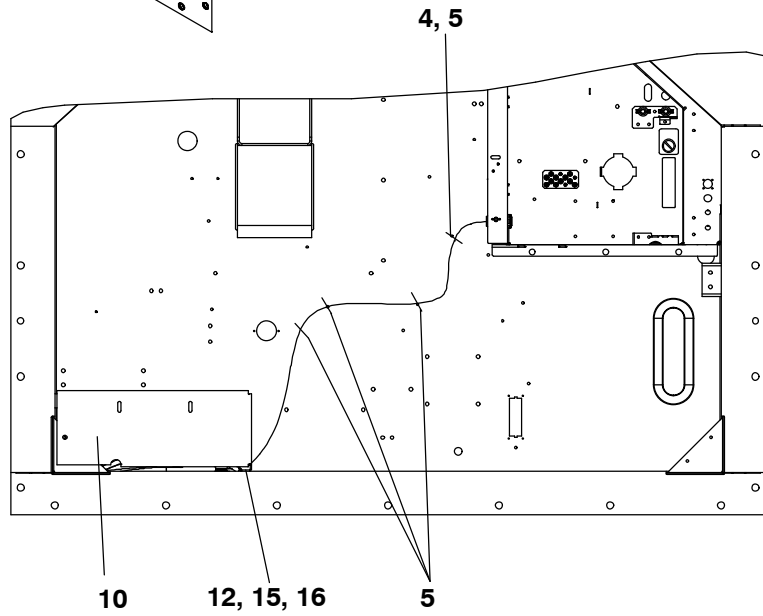
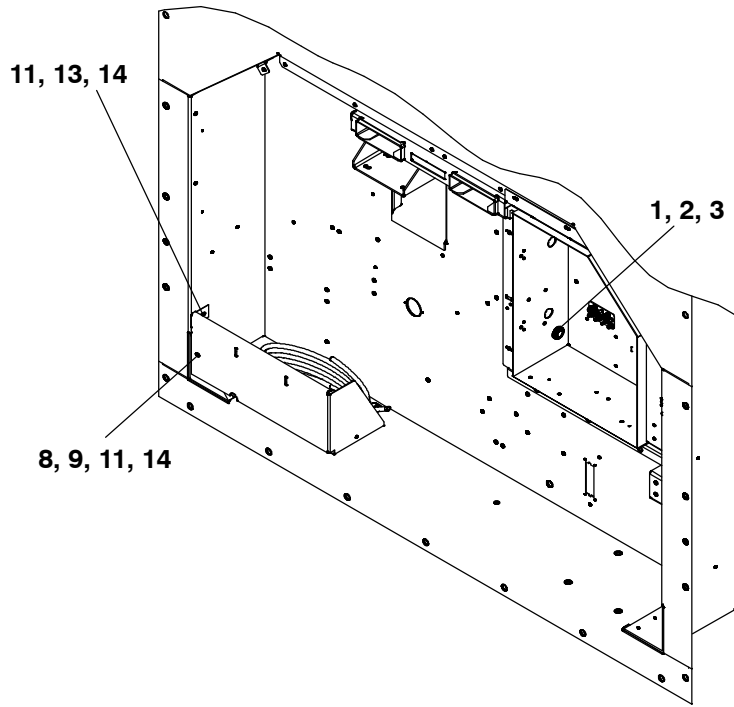
1	22-02378-00	Plug 4 Pole, 440V	1
2	22-66651-10	Cable Transicord Flexline	1
3	66U1-2583	Tube, Heat Shrink	1
4	22-00119-03	Terminal	3
5	22-00119-04	Terminal, Ring	1
6	22-02324-01	Bushing	4

**230V CABLE ASSEMBLY**

1	66U1-6782	Plug	1
2	22-01879-50	Cable SO	1

22-01879-33,31, 05

1.9 CABLE KIT



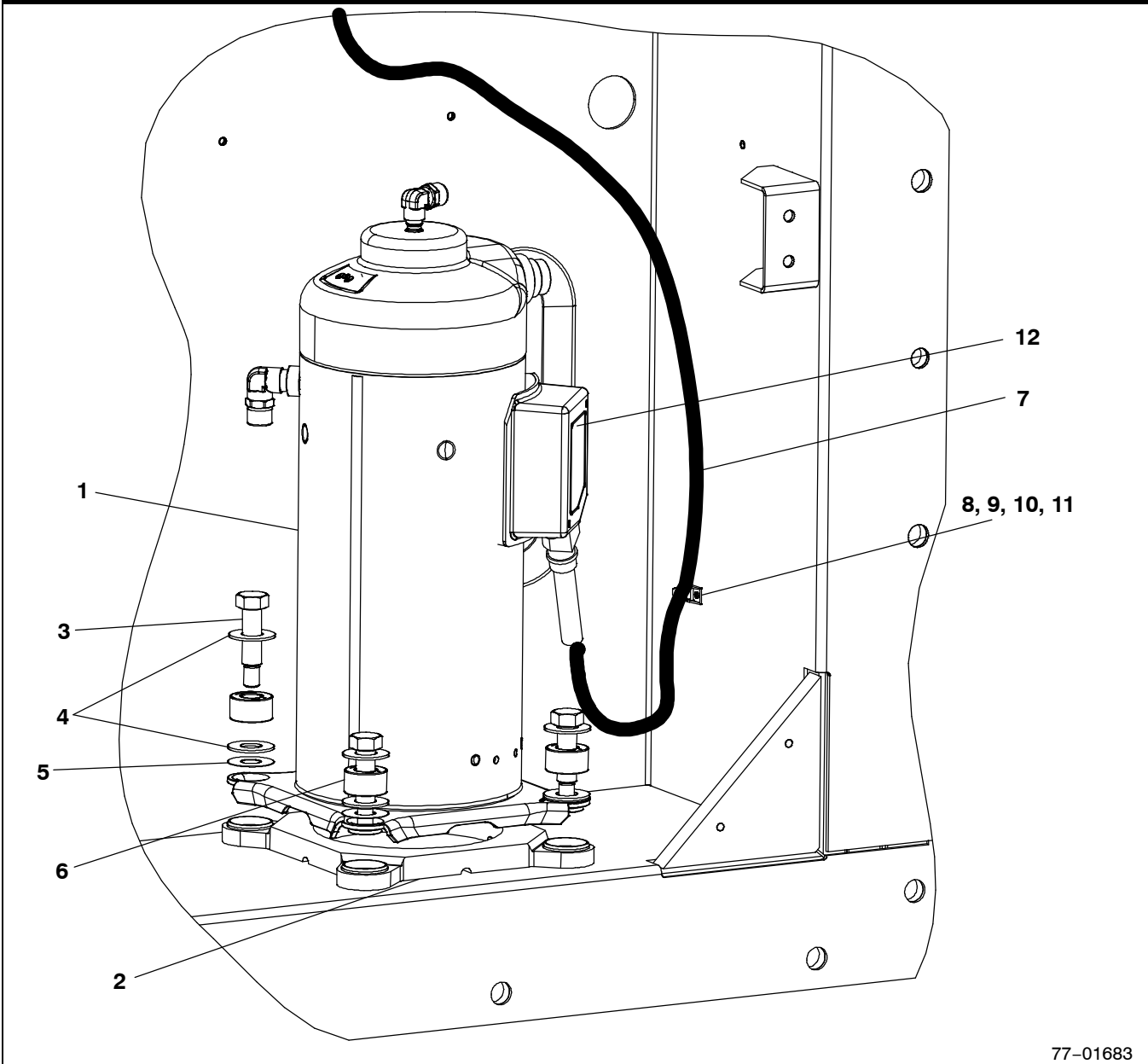
77-01695

**1.9 CABLE KIT (Continued)**

<b>Item</b>	<b>Part Number</b>	<b>Description</b>	<b>Qty</b>
1	66U1-7352-3	Connector Straight, Watertight	1
2	34-06136-01	Nut, Lock 3/4" Npt	1
3	66U1-1251-2	O-Ring	1
4	58-04316-00	Base, Mounting	1
5	66U1-3882	Wire Tie	3
6	68-14456-01	Cable Clamp Cable Cutter 16 Ga.	1
7	58-04026-07	Protector	1
8	66U1-5361-11	Screw, Cap Hex Head 1/4-20 X 1.50	2
9	34-00667-11	Nut, Self Lock	1
10	68-17131-00	Guard	1
11	34-06053-00	Washer .250 ID X .800 OD	10
12	66U1-5371-6	Screw, Machine Hex Head #10-24 X 0.750	2
13	66U1-5361-25	Screw, Cap Hex Head 1/4-20 X 0.75	8
14	66U1-5321-7	Washer, Plain 1/4 W Type A	5
15	66U1-5321-8	Washer, Plain #10 Type A	2
16	34-06053-05	Washer	2

77-01695-00,02

## 1.10 COMPRESSOR ASSEMBLY

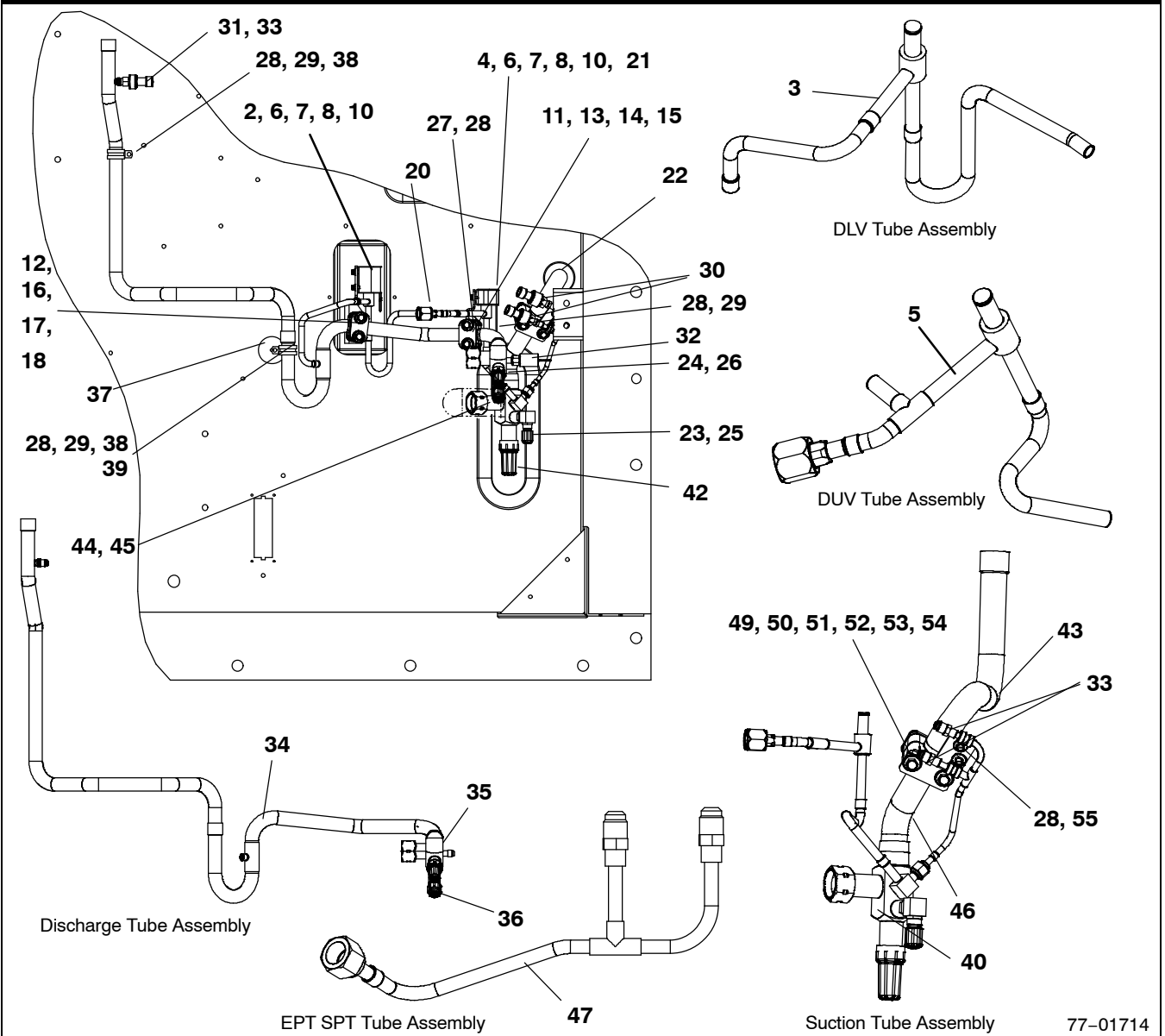


77-01683

Item	Part Number	Description	Qty
1	18-10165-20	Compressor, Scroll	1
2	58-04821-00	Base Assembly	1
3	34-06277-02	Bolt, Shoulder 1/2-13	4
4	34-06236-00	Washer .687 X 1.500 X .078	8
5	34-06053-20	Washer .65 ID X 1.50 OD	4
6	58-04791-01	Mount, Resilient	4
7	22-04128-10	Cable	1
8	66U1-3882	Wire Tie	1
9	58-04246-00	Ty-Rap Base	1
10	66U1-5371-6	Screw, Machine Hex Head #10-24 X 0.750	1
11	34-00663-09	Washer, Lock #10 Spring	1
12	18-10136-30	Cover	1

77-01683-00

## 1.11 COMPRESSOR TUBING



Item	Part Number	Description	Qty
1	76-00816-00	Transducer, Service (EPT) (SPT)	
	22-01713-46	Wire Harness Transducer Service	
	66U1-3803	Tube Heat Shrink	
2	14-00361-01	Coil Kit, Solenoid (DLV)	1
	14-00361-10	Coil	1
	14-00361-11	Spacer	1
	14-00361-12	Plain Washer	1
	14-00361-13	Spring Washer	1
	14-00361-14	Screw	1
3	76-00866-01	Discharge Loader Valve (DLV) Kit	1
	81-04226-00	Tube Assembly/Valve Body	1
	40-00091-03	Coupling	2
	44-01043-07	Wire Ties	6
4	14-00361-02	Coil Kit, Solenoid (DUV)	1

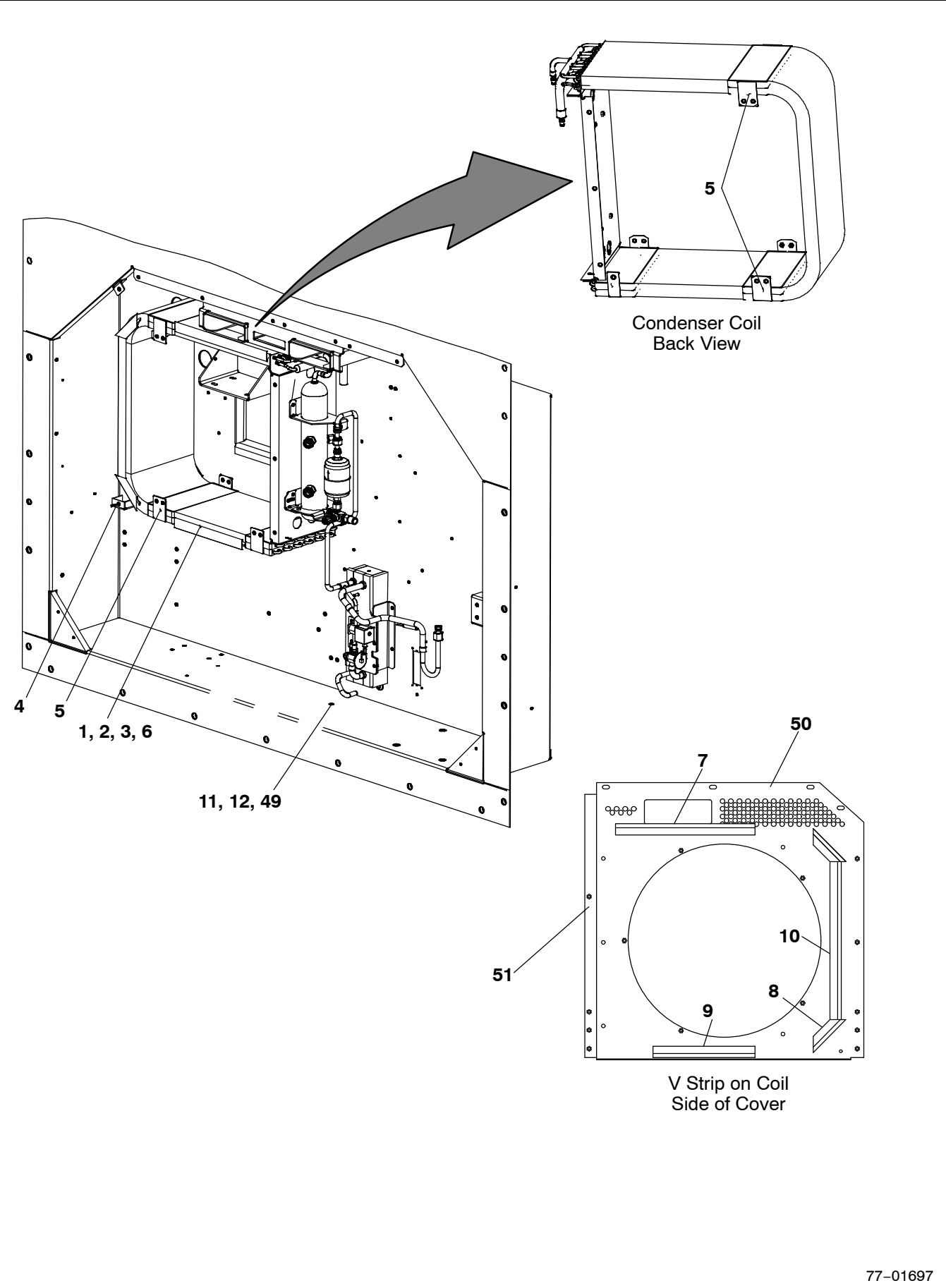
**1.11 COMPRESSOR TUBING (Continued)**

Item	Part Number	Description	Qty
	14-00361-17	Coil	1
	14-00361-09	Screw	1
5	76-00866-00	Discharge Unloader Valve (DUV) Kit	1
	81-04230-00	Tube Assembly/Valve Body	1
	40-00091-03	Coupling	2
	44-01043-07	Wire Ties	6
	42-00243-12	O-Ring	1
6	68-17368-00	Bracket	2
7	34-00655-16	Screw, Cap Hex Head 1/4-20 x 2.00	4
8	34-06053-00	Washer, .250 Inner Diameter x .800 Outer Diameter	6
9	66-U1-5321-7	Washer, Plain 1/4 W Type A	6
10	44-00285-57	Clamp, Tube 7/8 OD	2
11	86-05052-00	Bracket, Weld	1
12	86-05054-00	Bracket, Weld	1
13	34-01146-04	Washer, Lock, M4 Spring	2
14	34-00662-08	Washer, Plain, #8 Medium, 032 Thick	2
15	34-06367-00	Screw, Hex Head M4 x 10MM	2
16	34-01146-05	Washer, Lock, M5 Spring	2
17	34-00662-09	Washer, Plain, #10 Medium, 032 Thick	2
18	34-06368-00	Screw, Hex Head M5 x 10MM	2
19	79-04070-00	Discharge Tube	1
20	42-00243-12	O-Ring	1
21	66U1-3803	Tube, Heat Shrink	4
22	58-00065-95	Grommet	1
23	40-00542-00	Elbow Adapter Low Press	1
24	40-00542-01	Elbow Adapter High Press	1
25	40-00520-02	Cap	1
26	40-00520-03	Cap	1
27	66U1-5371-6	Screw, Machine Hex Head #10-24 X 0.750	3
28	34-06053-05	Washer	4
29	66U1-3632-20	Clamp, Tube	2
30	76-00816-00	Transducer, SPT, EPT	2
31	12-00352-00	Transducer, DPT	1
32	12-00309-05	High Pressure Switch, 350/250 Psig	1
33	EC39DM070	Core Check Valve	3
34	79-04070-00	Tube, Discharge 7/8 OD X 0.045	1
35	40-00583-05	Valve, Service 7/8 ID, Rotalock	1
36	40-00583-20	Valve Cap	1
37	34-06295-04	Washer, Fender #10-1.690-2.000 OD	1
38	66U1-5371-10	Screw, Machine Hex Head #10-24 X 1.00	1
39	68-15532-00	Bracket .090 Thick Aluminum	1
40	40-00665-20	Valve, Service 1 1/8 ID, Rotalock	1
41	56-09063-00	Tube, Suction 1-1/8 OD X 0.05	1
42	40-00665-21	Service Cap	1
43	42-00425-131	Insulation, Tube Pre-Taped	1
44	42-00425-112	Insulation, Tube Pre-Taped	1
45	66U1-3882-3	Wire Tie	2

46	42-00425-140	Insulation, Tube Pre-Taped	1
47	79-04051-01	Tube Assembly:	1
	81-04212-01	Tube	1
48	EC39DM070	Valve Core	2
49	68-15997-00	Bracket	1
50	44-00285-54	Clamp, Tube 1-1/8 OD 2 Pcs	1
51	34-00655-18	Screw, Cap Hex Head 1/4-20 X 2.25	2
52	34-06053-00	Washer .250 ID X .800 OD	2
53	66U1-5321-7	Washer, Plain 1/4 W Type A	2
54	68-15998-00	Nut Plate	1
55	34-00373-51	Clamp, Tube	2

77-01684-00

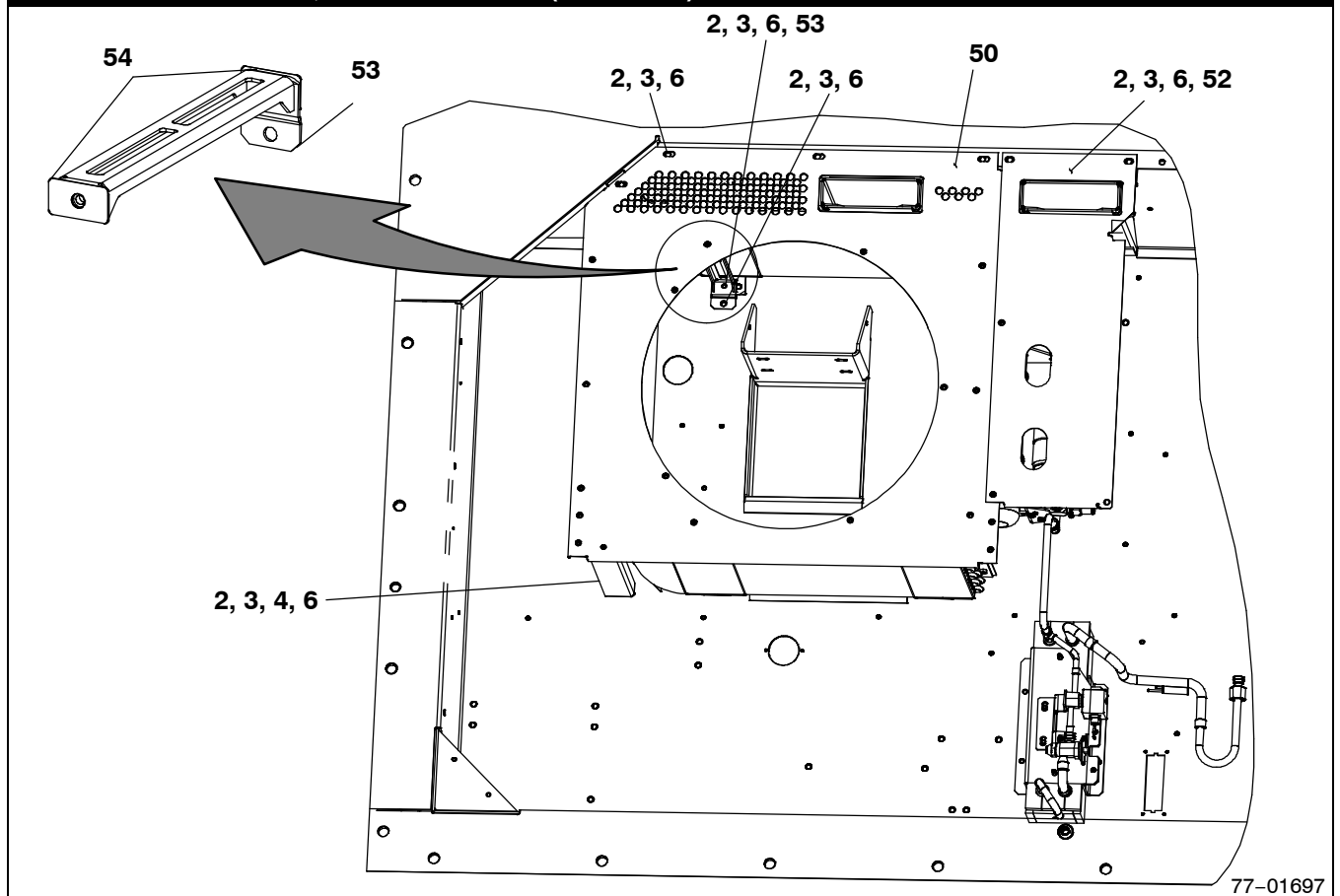
1.12 CONDENSER KIT, COIL & COVERS



77-01697



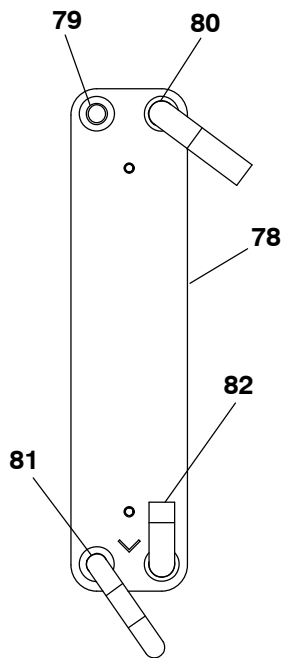
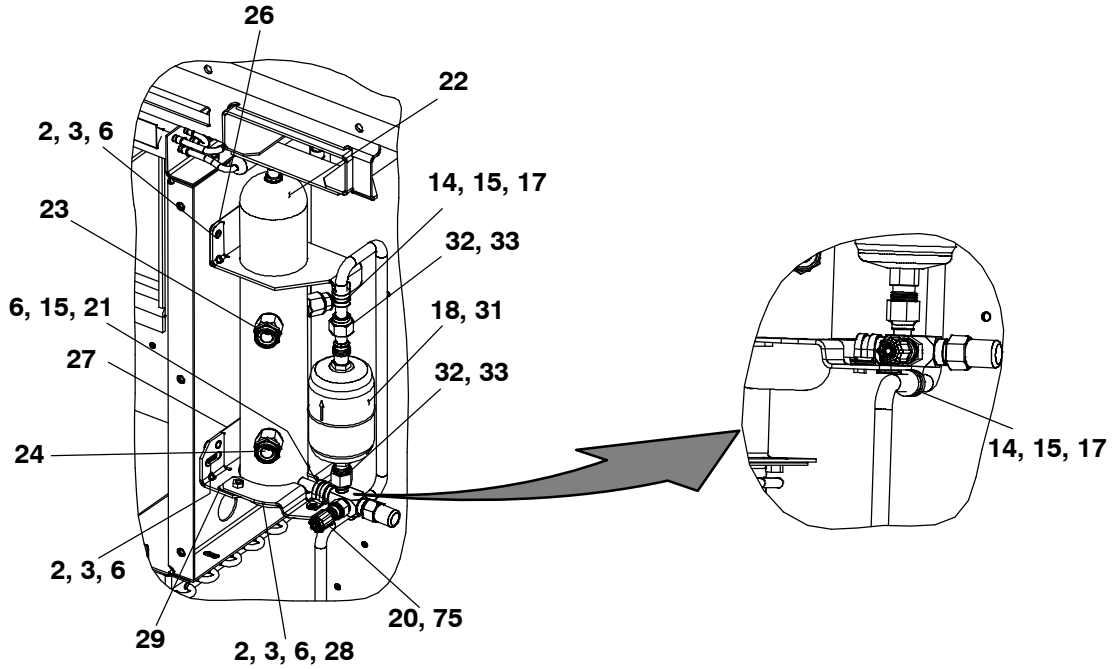
## 1.12 CONDENSER KIT, COIL & COVERS (Continued)



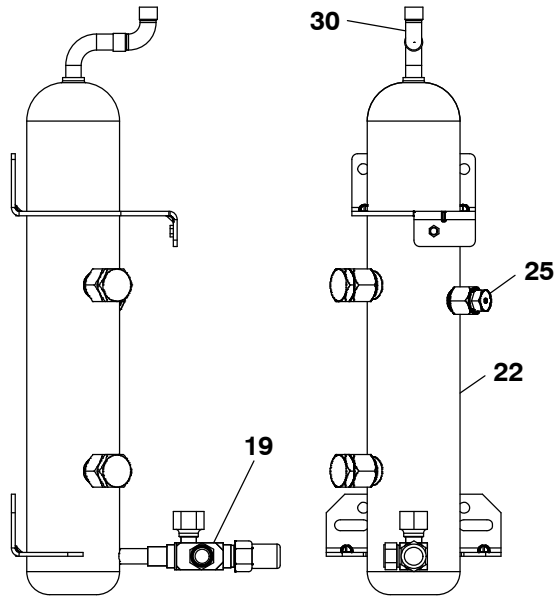
Item	Part Number	Description	Qty
1	81-04203-20	Condenser Coil Assembly:	1
	68-17185-00	Panel	1
	34-00655-04	Screw, Hex Head	4
	34-06053-00	Washer	4
	66U1-5321-3	Washer, Plain	4
	58-04910-00	Protector	1
	58-04910-01	Protector	1
	58-04026-23	Protector	1
	58-04026-108	Protector	1
	56-09149-00	Coupling	2
2	66U1-5361-25	Screw, Cap Hex Head 1/4-20 X 0.75	42
3	66U1-5321-7	Washer, Plain 1/4 W Type A	44
4	68-17196-00	Bracket	1
5	58-04910-02	Protector	2
6	34-06053-00	Washer .250 ID X .800 OD	45
7	42-00771-02	Gasket	2
8	42-00771-00	Gasket	4
9	42-00771-01	Gasket	2
10	42-00771-03	Gasket	2
11	66U1-5361-7	Screw, Cap Hex Head 3/8-16 X 1.00	1
12	34-00662-13	Washer, Plain 3/8	1

77-01697-01

**1.12 CONDENSER KIT, RECIEVER, HEAT EXCHANGER SECTIONS**

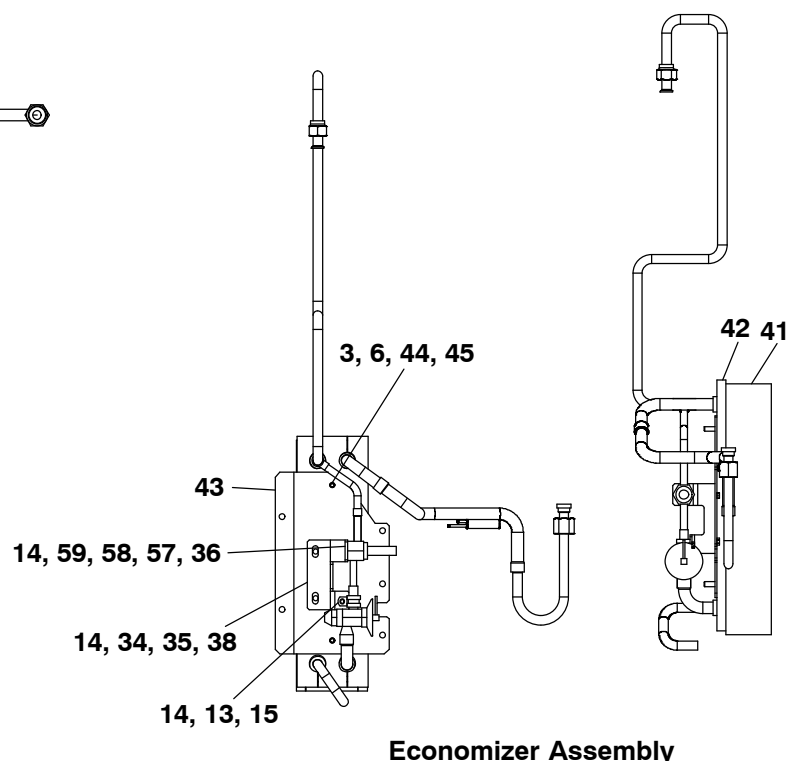
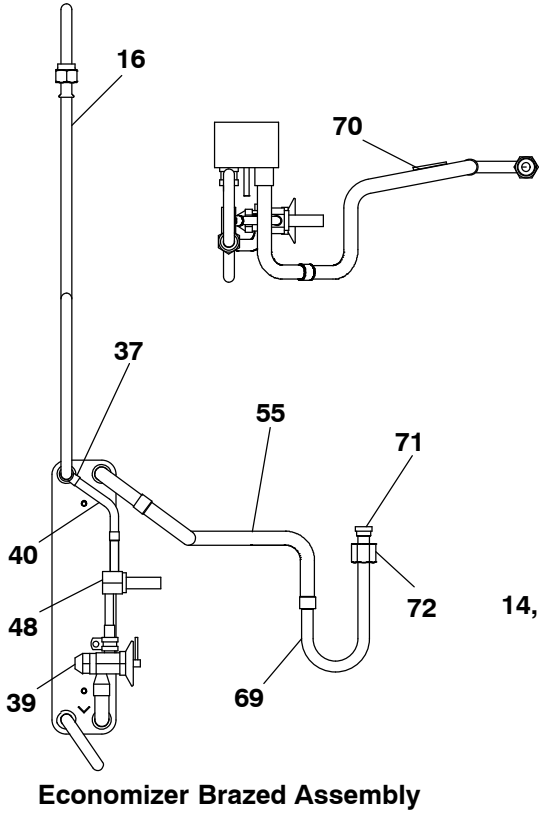
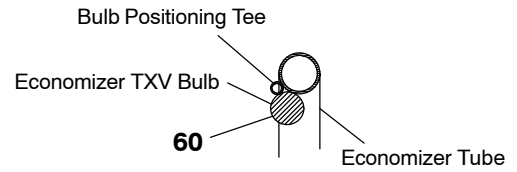
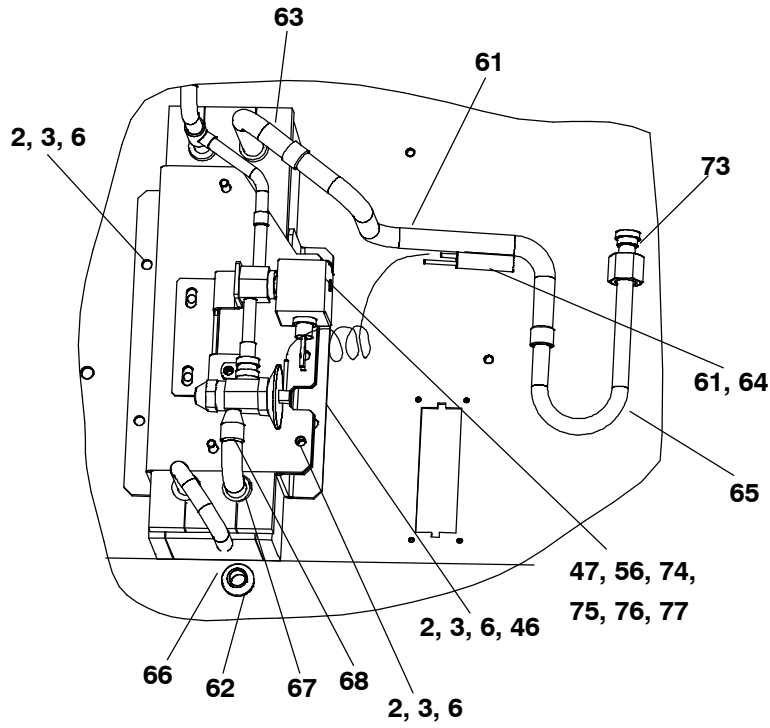


**Heat Exchanger Assembly**



**Receiver Brazed Assembly**

**1.12 CONDENSER KIT, ECONOMIZER SECTION**



**1.12 CONDENSER KIT (Continued)**

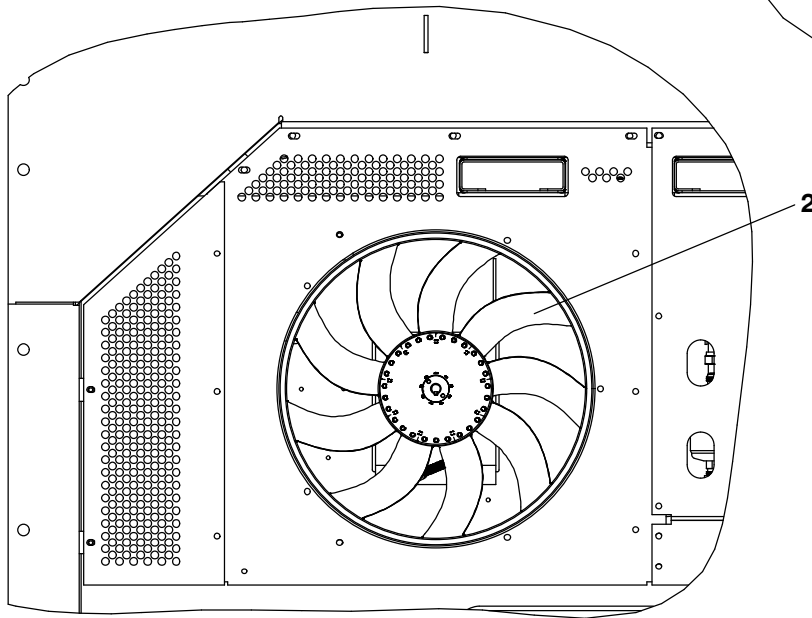
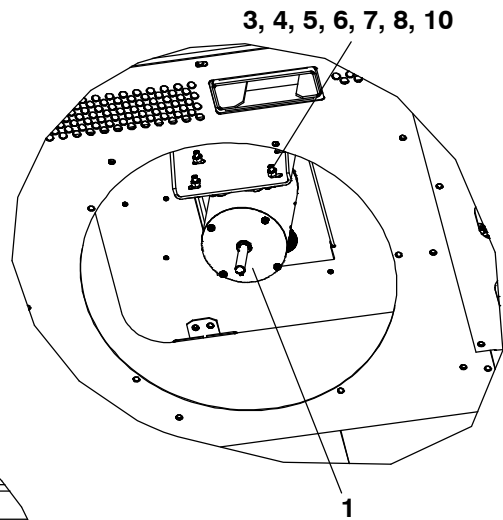
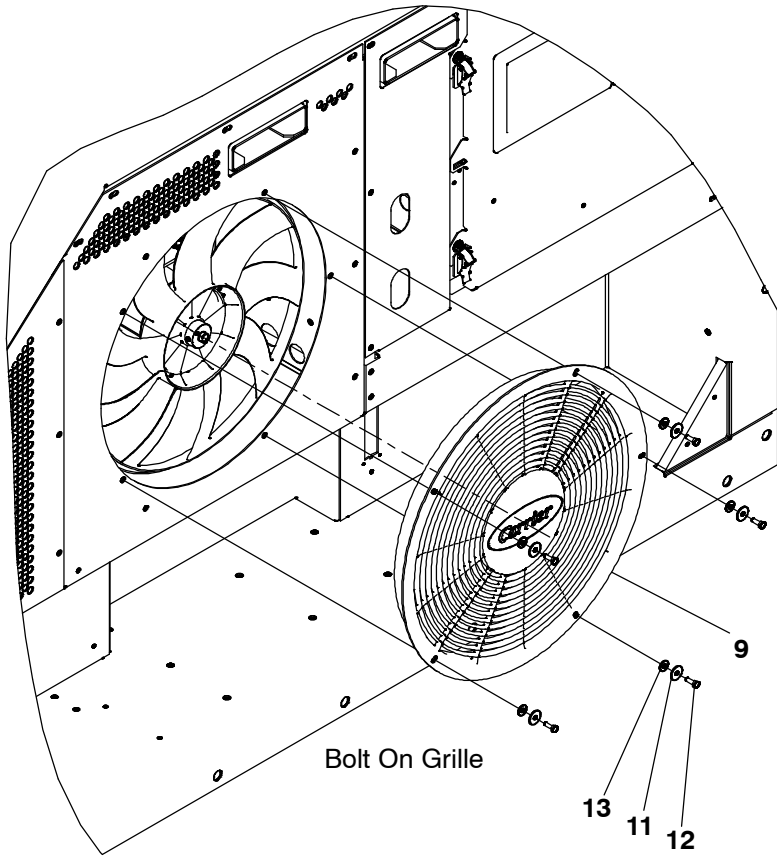
<b>Item</b>	<b>Part Number</b>	<b>Description</b>	<b>Qty</b>
13	34-00373-54	Clamp, Tube Cushion	1
14	34-06053-05	Washer .205 ID X .600 OD	7
15	66U1-5371-6	Screw, Machine Hex Head #10-24 X 0.750	4
16	56-09064-00	Tube	1
17	44-00370-03	Clamp, Cushioned	2
18	14-00341-07	Filter Drier 1/2 Flare, "O" Ring	1
	14-00341-11	Filter Drier Aluminum Coated, 1/2 Flare, "O" Ring	1
19	14-00222-02	Valve King	1
20	40-00520-01	Coupling	1
21	34-00373-07	Clamp, Tube	1
22	79-04049-01	Receiver Assembly Aluminized Steel:	1
23	14-00220-04	Sight Glass 1/2-14 Npt Danfoss	1
24	14-00221-04	Indicator Moisture & Liquid	1
25	14-01032-14	Fusible Plug	1
26	58-04026-23	Protector	1
27	58-04026-108	Protector	1
28	68-16864-00	Bracket	1
29	58-04910-04	Protector	2
30	40-66625-38	Elbow, 90 Str 1/2C X 1/2C	1
31	14-00284-20	O-Ring Filter Drier	2
32	66U1-3882	Wire Tie	4
33	42-00032-13	Insulation Prestite	2
34	66U1-5371-7	Screw, Machine Hex Head #10-24 X .500 SltD	2
35	66U1-5321-8	Washer, Plain #10 Type A	2
36	58-04026-59	Protector Solenoid Valve	1
37	40-66620-01	Tee, Reducing 1/2 X 1/2 X 3/8	1
38	68-14278-00	Bracket	1
39	14-00232-33	Valve, Expansion 5/8 OD X 3/8 OD	1
40	56-07911-00	Tube, Liquid 3/8 OD X .028 W	1
41	42-00389-03	Insulation Economizer	1
42	42-00390-03	Insulation Economizer	1
43	68-15477-02	Bracket	1
44	58-00836-19	Spacer Nylon	2
45	34-00667-11	Nut, Self Lock	2
46	68-15478-02	Bracket	1
47	14-01091-05	Coil, ESV	1
48	14-01090-12	Valve Body Solenoid, ESV	1
49	34-06053-02	Washer 0.375 ID X 1.000	1
50	79-04055-01	Cover, White Includes:	

**1.12 CONDENSER KIT (Continued)**

<b>Item</b>	<b>Part Number</b>	<b>Description</b>	<b>Qty</b>
	68-17290-01	Cover	1
	58-04910-02	Protector	1
	42-00771-00	Gasket	2
	42-00771-01	Gasket	3
	42-00771-02	Gasket	1
	42-00771-03	Gasket	1
51	42-00065-01	Gasket (Same for both panels)	1
52	68-16823-02	Cover, White	1
53	86-04994-00	Bracket	1
54	58-04910-05	Protector	2
55	56-09164-00	Tube	1
56	66U1-3803	Tube, Heat Shrink	2
57	66U1-5371	Screw, Machine Hex Head #8-32 X 1/2	2
58	66U1-5321-2	Washer, Plain #8 Type A	2
59	66U1-5331-4	Washer, Lock #8 Spring	2
60	42-00032-00	Insulation Prestite	1
61	66U1-3882-3	Wire Tie	3
62	66U1-1571-3	Grommet	1
63	42-00425-139	Insulation, Tube	1
64	42-00425-69	Insulation, Tube	1
65	42-00667-32	Insulation, Tube	1
66	42-00667-28	Insulation, Tube	1
67	42-00425-78	Insulation, Tube	1
68	42-00425-93	Insulation, Tube	1
69	56-66738-00	Tube	1
70	99TS0322CK001400	Tube, Straight	1
71	40-00668-00	Sleeve	1
72	40-00667-00	Nut, Hex	1
73	42-00243-04	O-Ring	1
74	34-66638-00	Screw	1
75	14-01091-20	O-Ring	1
76	14-01091-21	O-Ring	1
77	14-01091-22	Spacer	1
78	81-04202-00	Heat Exchanger:	1
79	99TS0835CK002000	Tube, Straight	1
80	56-09163-00	Tube	1
81	56-08667-00	Tube, Liquid	1
82	56-08627-00	Tube	1

77-01697-01

1.13 CONDENSER FAN KIT



Shown With Fan Grille Removed

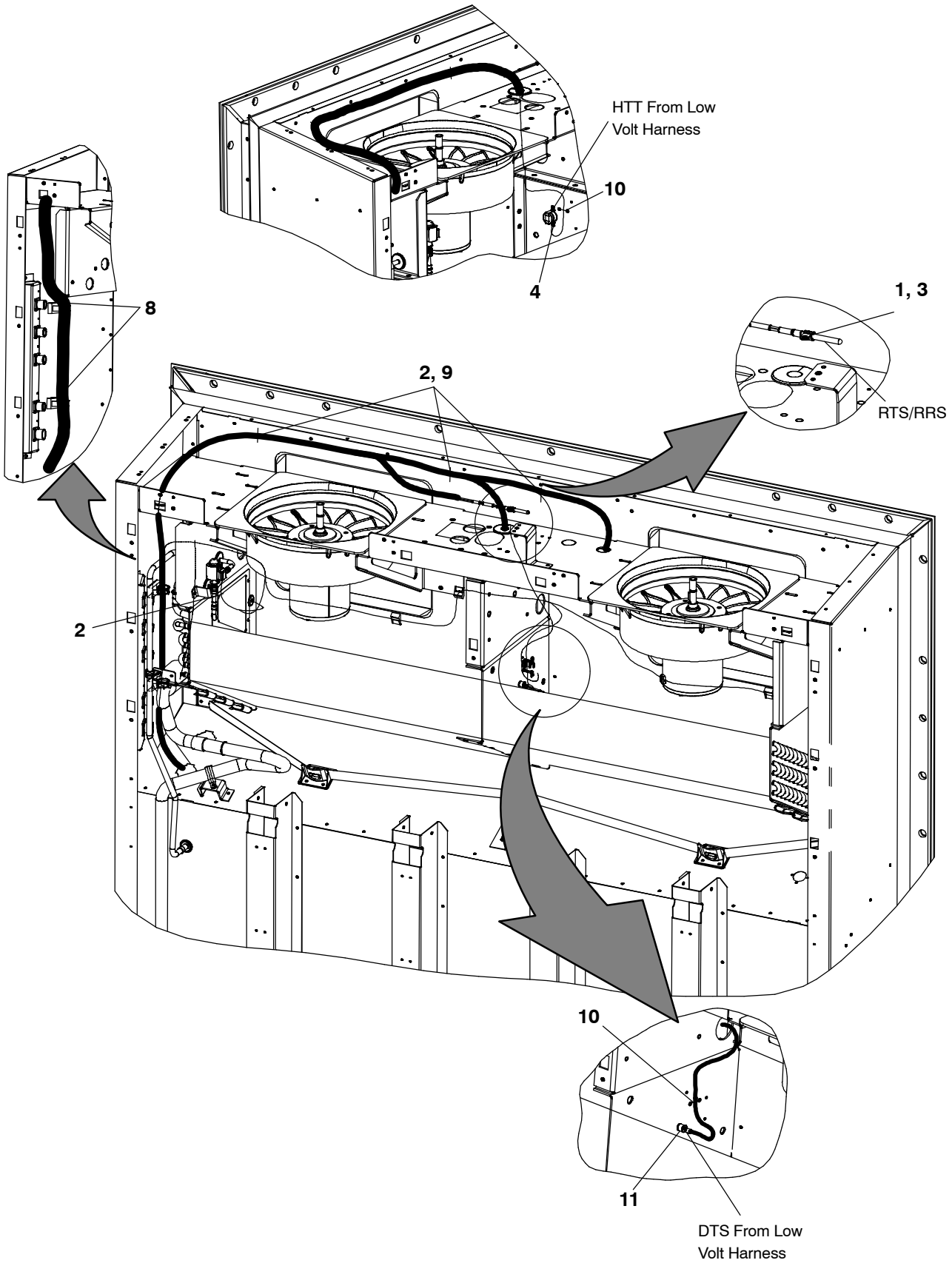
77-01707

**1.13 CONDENSER FAN KIT (Continued)**

<b>Item</b>	<b>Part Number</b>	<b>Description</b>	<b>Qty</b>
1	54-00670-20	Condenser Fan Motor	1
2	38-00620-01	Condenser Fan Assembly	1
3	69NT35-3452	Shim	1
4	34-01181-01	Washer, Flat	8
5	34-00667-12	Nut, Self Lock	4
6	66U1-5361	Screw, Cap Hex Head 5/16-18 X 1.25	4
7	69NT35-3452-1	Shim	1
8	69NT35-6112	Protector	2
9	58-04980-00SV	Condenser Grille Includes:	1
10	34-06053-02	Washer	4
11	69NT35-2692-1	Washer, Fender 1/4-.993-1.015 OD	5
12	66U1-5361-25	Screw, Cap Hex Head 1/4-20 X 0.75	5
13	34-06357-00	Washer	5

77-01707-00

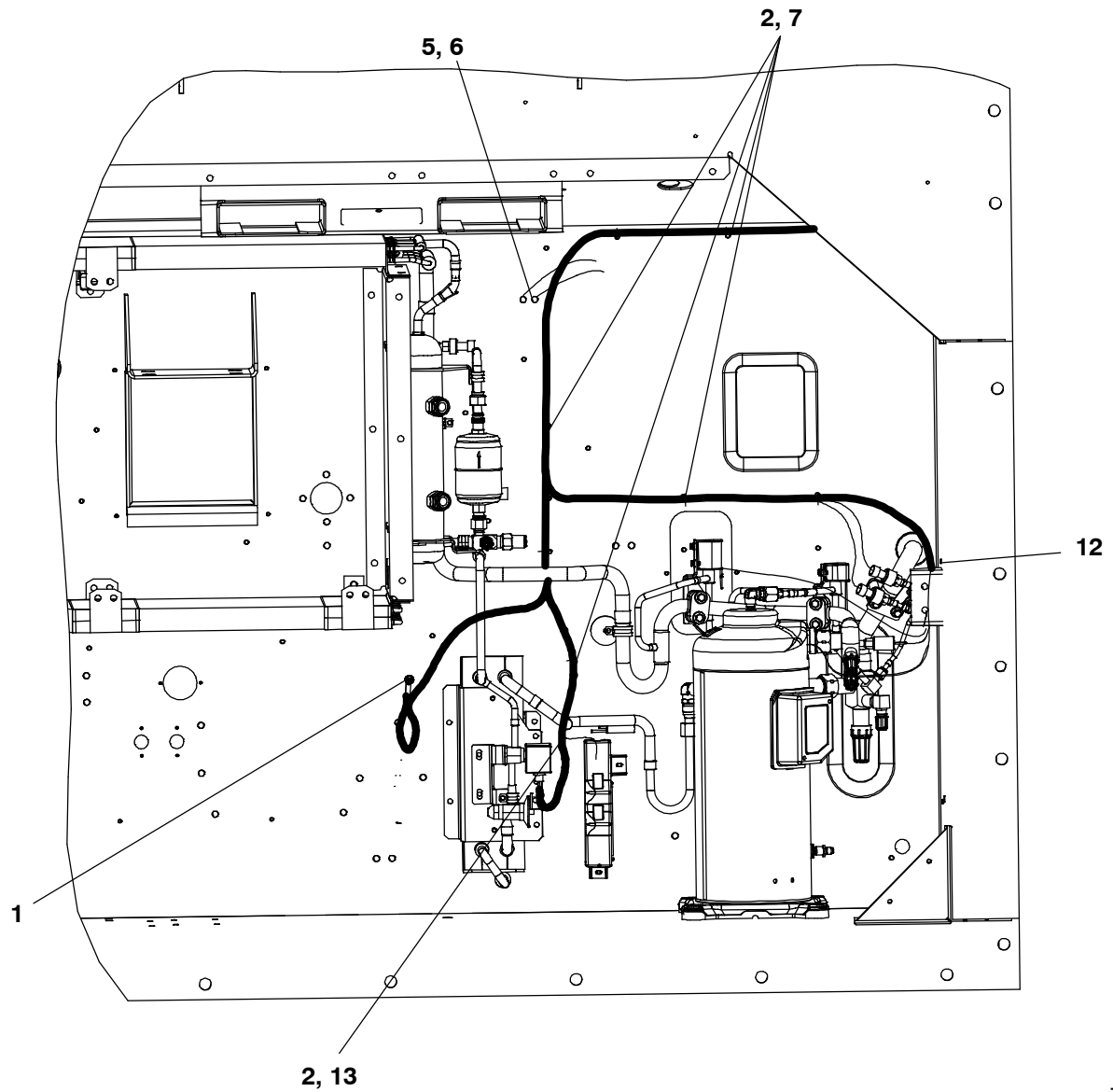
1.14 CONTROLLER KIT



77-01696



**1.14 CONTROLLER KIT (Continued)**

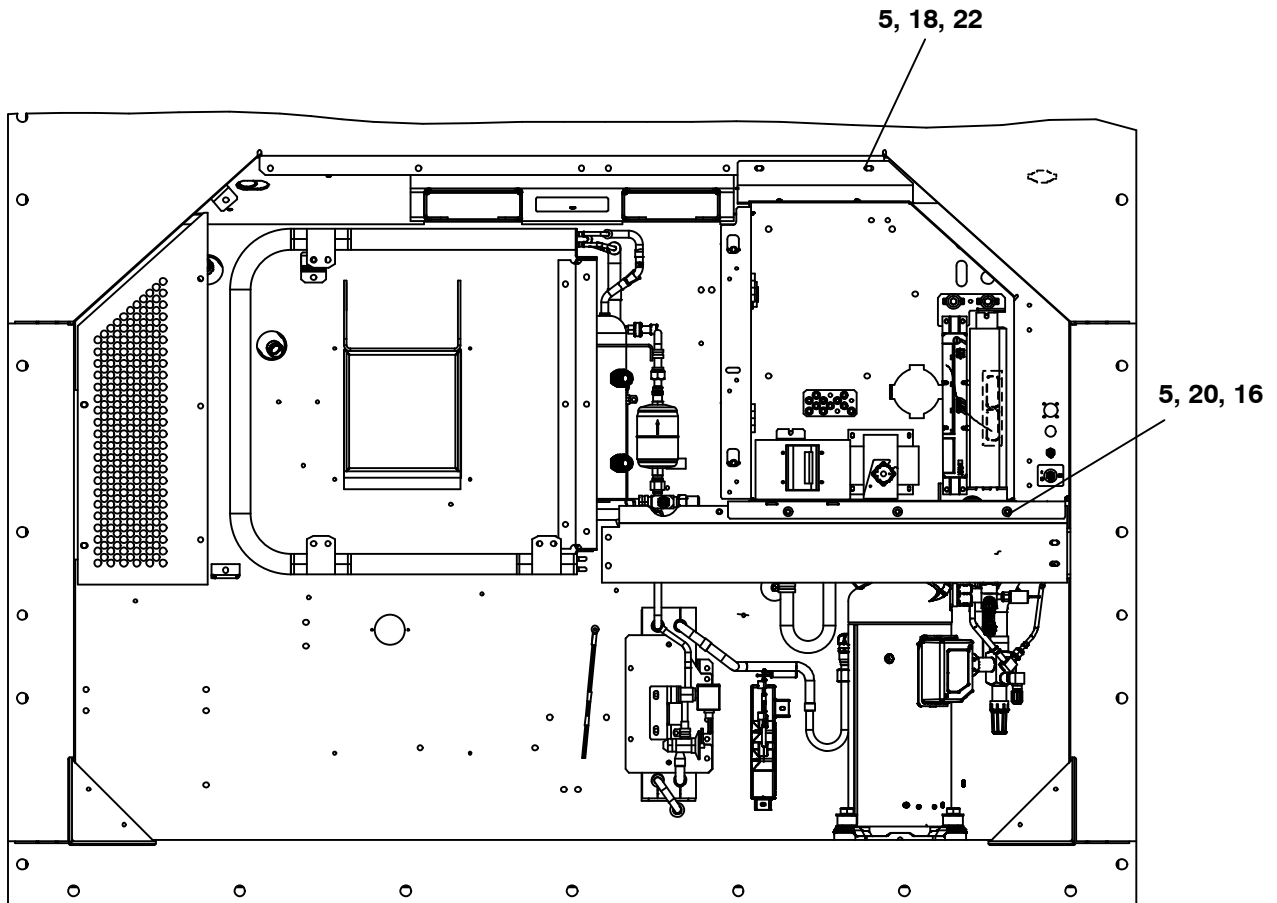
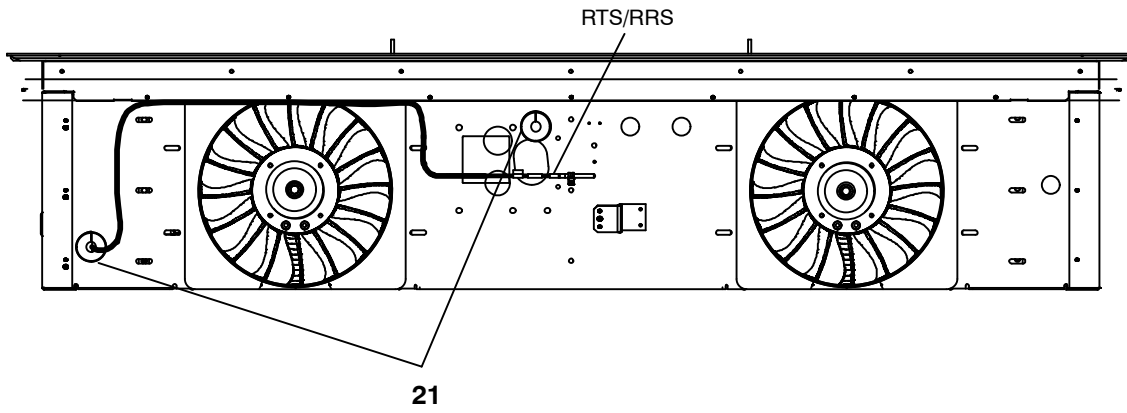


77-01696

Item	Part Number	Description	Qty
1	66U1-5371-6	Screw, Machine Hex Head #10-24 X 0.750	2
2	66U1-3882	Wire Tie	17
3	44-01041-04	Clamp, Cushioned	1
4	34-01178-22	Screw, Hex Head #8-32 X 0.50	2
5	66U1-5361-25	Screw, Cap Hex Head 1/4-20 X 0.75	7
6	AU27JR171	Washer, Lock 1/4 Ext Tooth	1
7	58-04316-00	Base, Mounting	8
8	44-00361-00	Clip, Retaining	2
9	58-04315-00	Base, Mounting	3
10	58-00969-00	Wire Tie	1
11	34-01178-23	Screw, Tc Hex Head #8-32 X 0.75	1
12	66U1-3803	Tube, Heat Shrink	2
13	58-04321-24	Tube, Slit 3/8 ID, 14.00" Lg	1

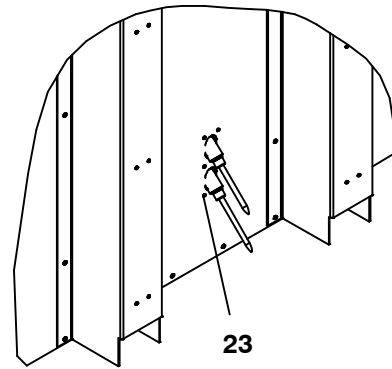
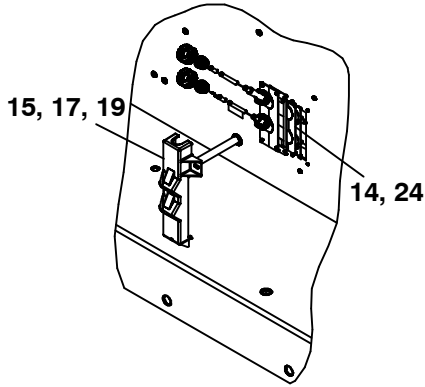
77-01696-00

1.14 CONTROLLER KIT (Continued)



77-01696

**1.14 CONTROLLER KIT (Continued)**

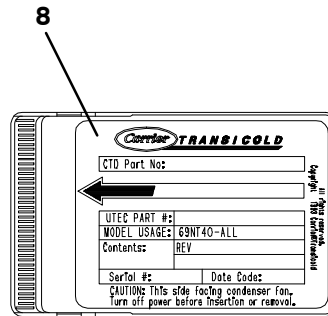
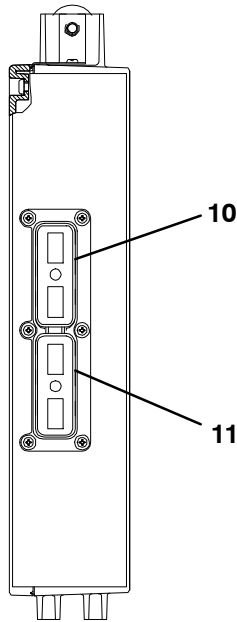
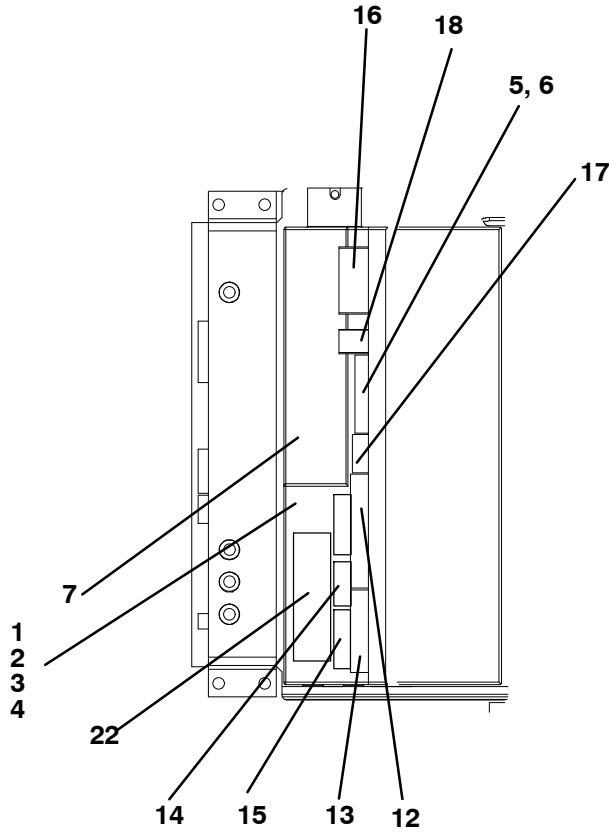


77-01696

Item	Part Number	Description	Qty
14	58-04276-00	Holder Supply Probe	1
15	58-04279-00	Cover Plastic, Probe	1
16	34-06053-03	Washer 0.250 ID X 1.000 OD	3
17	66U1-5371-7	Screw, Machine Hex Head #10-24 X 0.5000	2
18	66U1-5321-7	Washer, Plain 1/4 W Type A	2
19	66U1-5321-8	Washer, Plain #10 Type A	2
20	69NT35-2692-1	Washer, Fender 1/4	3
21	58-04273-00	Grommet Split	2
22	34-06053-00	Washer 0.250 ID X 0.800 OD	2
23	34-00928-04	Rivet, Blind	6
24	34-00928-20	Rivet, Blind	4

77-01696-00

**1.15 CONTROLLER MODULE SECTION AND SOFTWARE CARDS**

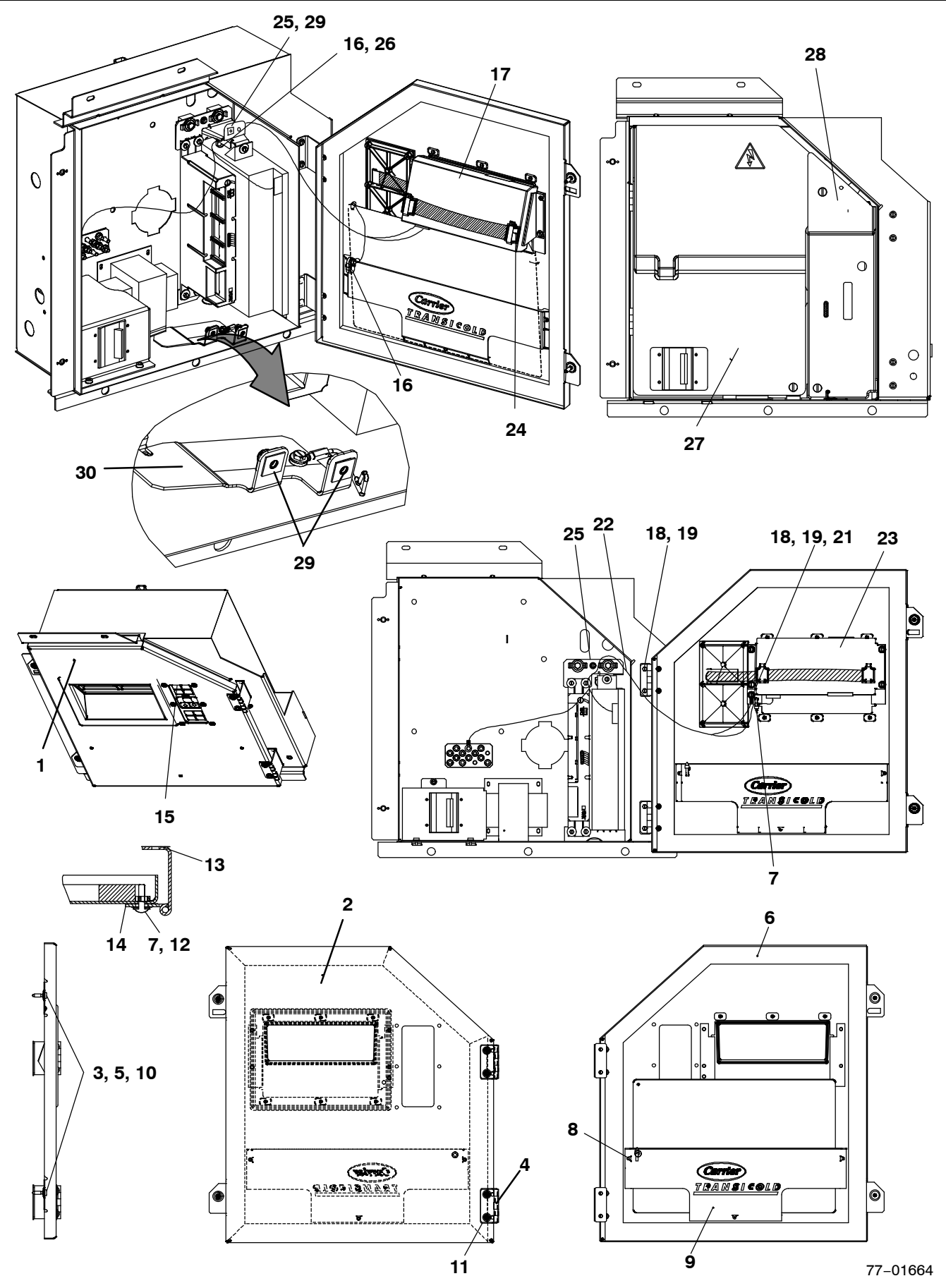


**VIEW - BACK OF CONTROLLER/DataCORDER**

**1.15 CONTROLLER MODULE SECTION AND SOFTWARE CARDS (Continued)**

<b>Item</b>	<b>Part Number</b>	<b>Description</b>	<b>Qty</b>
1	12-55009	Controller/DataCORDER Module – Includes:	1
2	66U1-5371-7	Screw, Hex Head, #10-24 X 1/2 Inches Long, SST	1
3	69NT35-2692	Washer, Fender, 0.063 Thick, SST	1
4	58-01184-00	Retainer, Screw, 0.141 ID	1
5	22-02336-08	Fuse, 7.5 Amp (F3A and F3B)	3
6	22-02336-02	Fuse, 5 Amp (F1 and F2)	1
7	62-02719-00	Label, Controller/DataCORDER Port	1
8	12-00594	<b>Controller Operation Software Card (Latest version will be supplied)</b>	1
9	12-00615	<b>DataCORDER Operation Software Card (Latest version will be supplied)</b>	1
10	Connector (EC A-K) <b>(Refer to Section 1.30)</b>		
11	Connector (EC L-Y) <b>(Refer to Section 1.30)</b>		
12	Connector (KA) – 14-Pin <b>(Refer to Section 1.29)</b>		
13	Connector (KB) – 10-Pin <b>(Refer to Section 1.29)</b>		
14	Connector (KD) – 4-Pin <b>(Refer to Section 1.29)</b>		
15	Connector (KE) – 5-Pin <b>(Refer to Section 1.30)</b>		
16	Connector (MA) – 12-Pin <b>(Refer to Section 1.29)</b>		
17	Connector (KH) – 6-Pin <b>(Refer to Section 1.30)</b>		
18	Connector (MC) – 8-Pin		
NS	09-00375-00	Battery, Real Time Clock, (Within the Controller)	1
19	10-01129-11	Switch, toggle ST	2
21	10-01129-05	Switch, Toggle CFS	1
22	10-01129-12	Switch, (Start/Stop)Toggle ON/OFF	1
<b>RECHARGEABLE BATTERY OPTION</b>			
23	30-00407-02SV	Rechargeable Battery Pack with Connector-Controller/DataCORDER Module	A/R

1.16 CONTROLLER DOOR KIT, SCREW

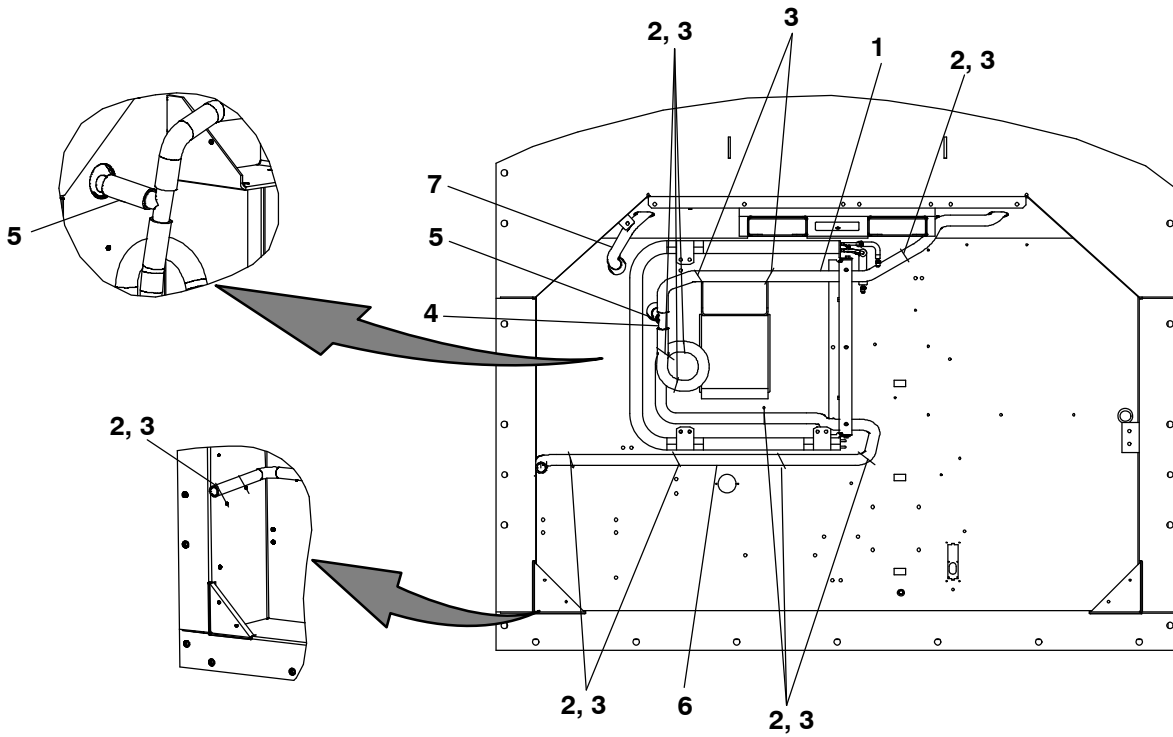


77-01664

<b>1.16 CONTROLLER DOOR KIT, SCREW (Continued)</b>			
<b>Item</b>	<b>Part Number</b>	<b>Description</b>	<b>Qty</b>
1	79-04018-08	Control Box Door Assembly, Slotted Screw White with Fixed Pin Includes:	1
2	86-04987-02	Door, Control Box	1
3	66U1-6811-8	Screw, Retaining	2
4	44-00477-00	Hinge Staked Pin	2
5	34-06169-00	Washer, Retaining 0.185 ID X 0.62 OD	2
6	42-00741-00	Gasket Control Box Door	1
7	66U1-2403-1	Screw, Machine Trhd #10-24 X .750 Sltd	4
8	34-06107-00	Rivet, Blind .125 Diameter .188-.250	3
9	58-04954-00	Pocket, Placard	1
10	34-06053-00	Washer 0.250 ID X 0.800 OD	4
11	58-04101-02	Protector	2
12	34-06053-05	Washer .205 ID X 0.600 OD	4
13	58-04366-00	Window Controller Door	1
14	58-04101-00	Protector	2
15	79-66669-00	Key Pad Assembly Includes:	1
	NSS	Key Pad 69Nt Core Micro	1
	NSS	Plate, Backup	1
	NSS	Gasket Keypad	1
	NSS	Washer, Plain #10 Type A	6
	NSS	Screw, Pan Head #10-9 X.75	6
	NSS	Indicator Dot	1
16	66U1-3882	Wire Tie	3
17	12-00433-03RP	Module 69Ne/Nt Display	1
18	66U1-5371-7	Screw, Machine Hex Head #10-24 X 0.500 Sltd	9
19	66U1-5321-8	Washer, Plain #10 Type A	9
20	66U1-5371-6	Screw, Machine Hex Head #10-24 X 0.750	2
21	AU27JR131	Washer, Lock #10 Ext Tooth	1
22	22-01713-49	Harness	1
23	58-04960-00	Rain Shield	1
24	44-00391-00	Clamp	2
25	68-17220-00	Bracket	1
26	58-04316-00	Base, Mounting	1
27	79-04046-00	Shield, Hi-Volt Std	1
28	79-04047-00	Shield, Low Voltage	1
29	34-06139-04	Receptacle, ¼ inch retaining	3
30	68-17298-00	Bracket	1

77-01664-00

# 1.17 DRAIN KIT



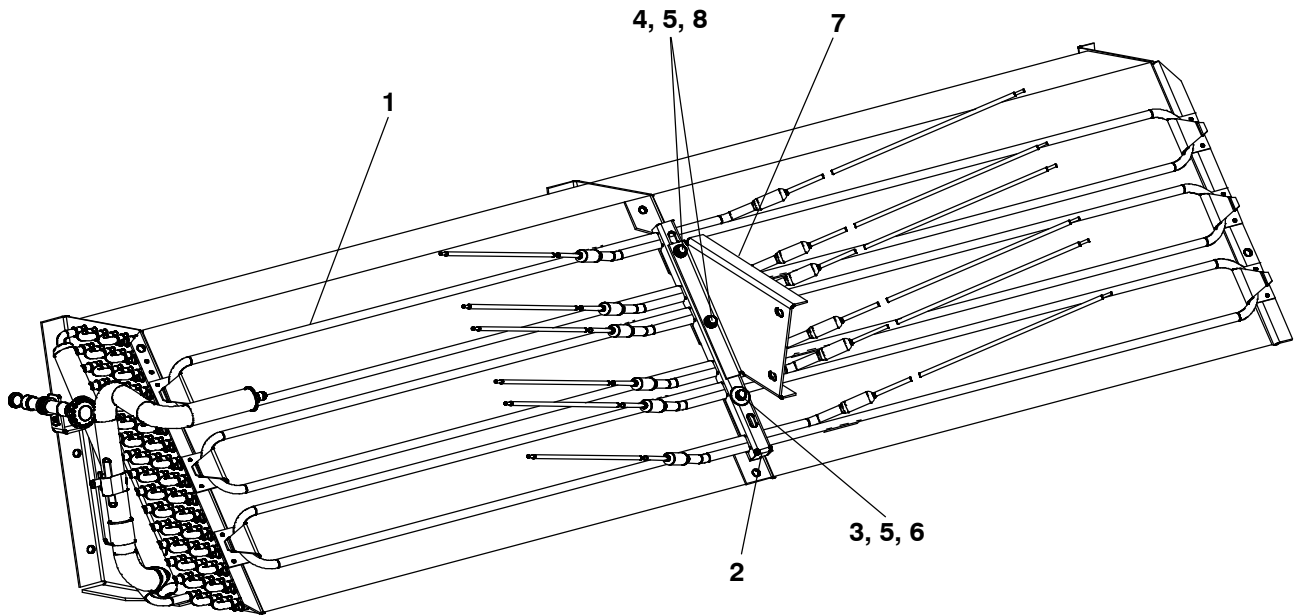
77-01699

Item	Part Number	Description	Qty
1	58-04539-12	Tube, Flexible Std. 44"	1
2	58-04316-00	Base, Mounting .250 Diameter Mounting Hole	11
3	66U1-3882	Wire Tie /16-1-3/4 Self locking	13
4	58-04202-02	Tee 1.00 OD Drain	1
5	58-04539-10	Tube, Flexible Std. 3"	1
6	58-04539-13	Tube, Flexible Std. 109"	1
7	58-04539-11	Tube, Flexible Std. 12"	1

77-01699-00



**1.18 HEATER KIT**

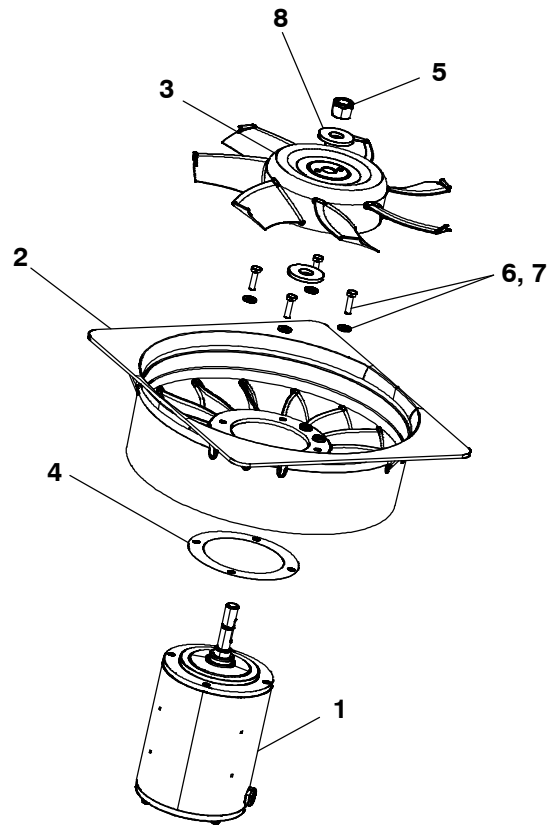
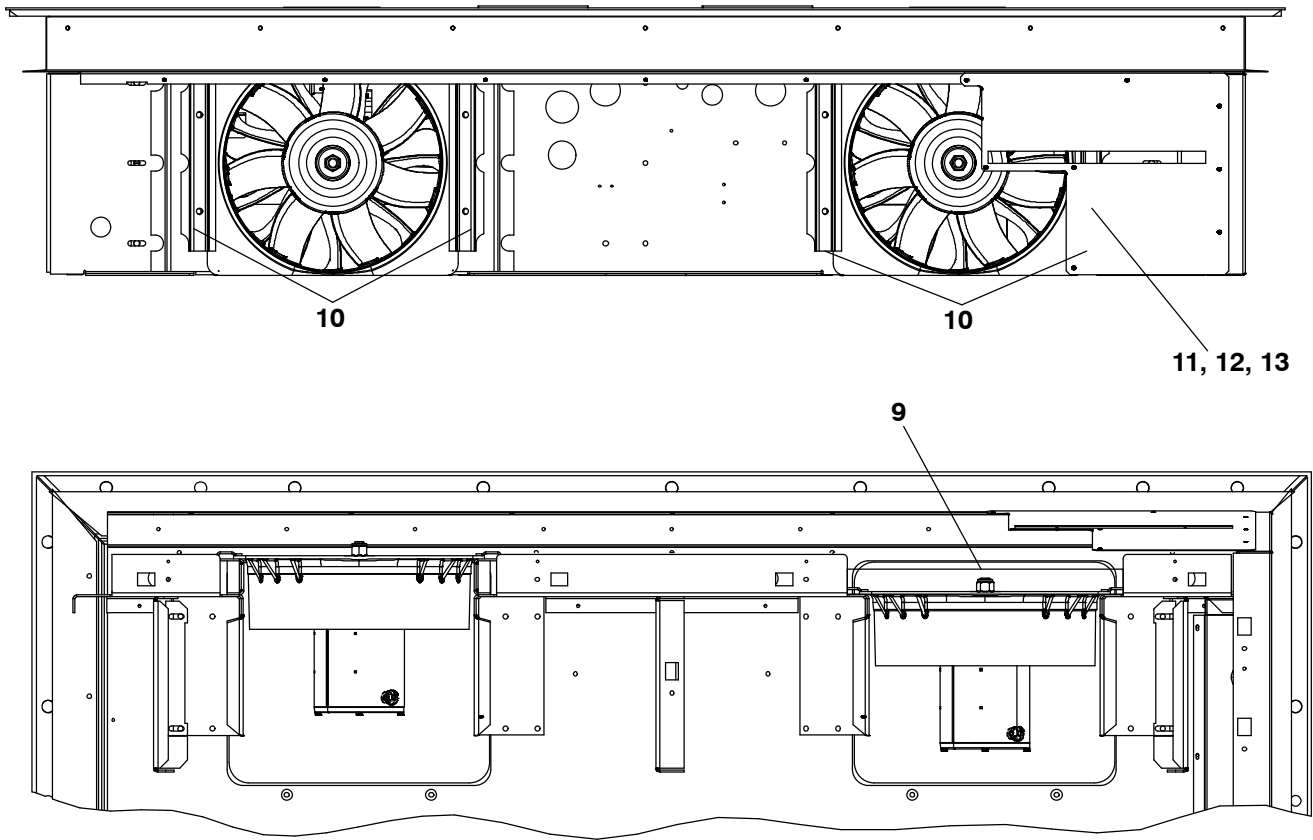


77-01614

Item	Part Number	Description	Qty
1	24-66603-00	Defrost Heater	6
2	86-04956-00	Retainer Assembly	1
3	69NT35-2692-1	Washer, Fender 1/4-.993-1.015 OD	1
4	34-00655-12	Screw, Cap Hex Head 1/4-20 X 1.50	2
5	34-00663-11	Washer, Lock 1/4 Spring	3
6	34-00655-10	Screw, Cap Hex Head 1/4-20 X 1.25	1
7	68-16894-00	Bracket	1
8	66U1-5321-3	Washer, Plain 1/4 N Type A	2

77-01614-00

1.19 EVAPORATOR FAN AND MOTOR KIT



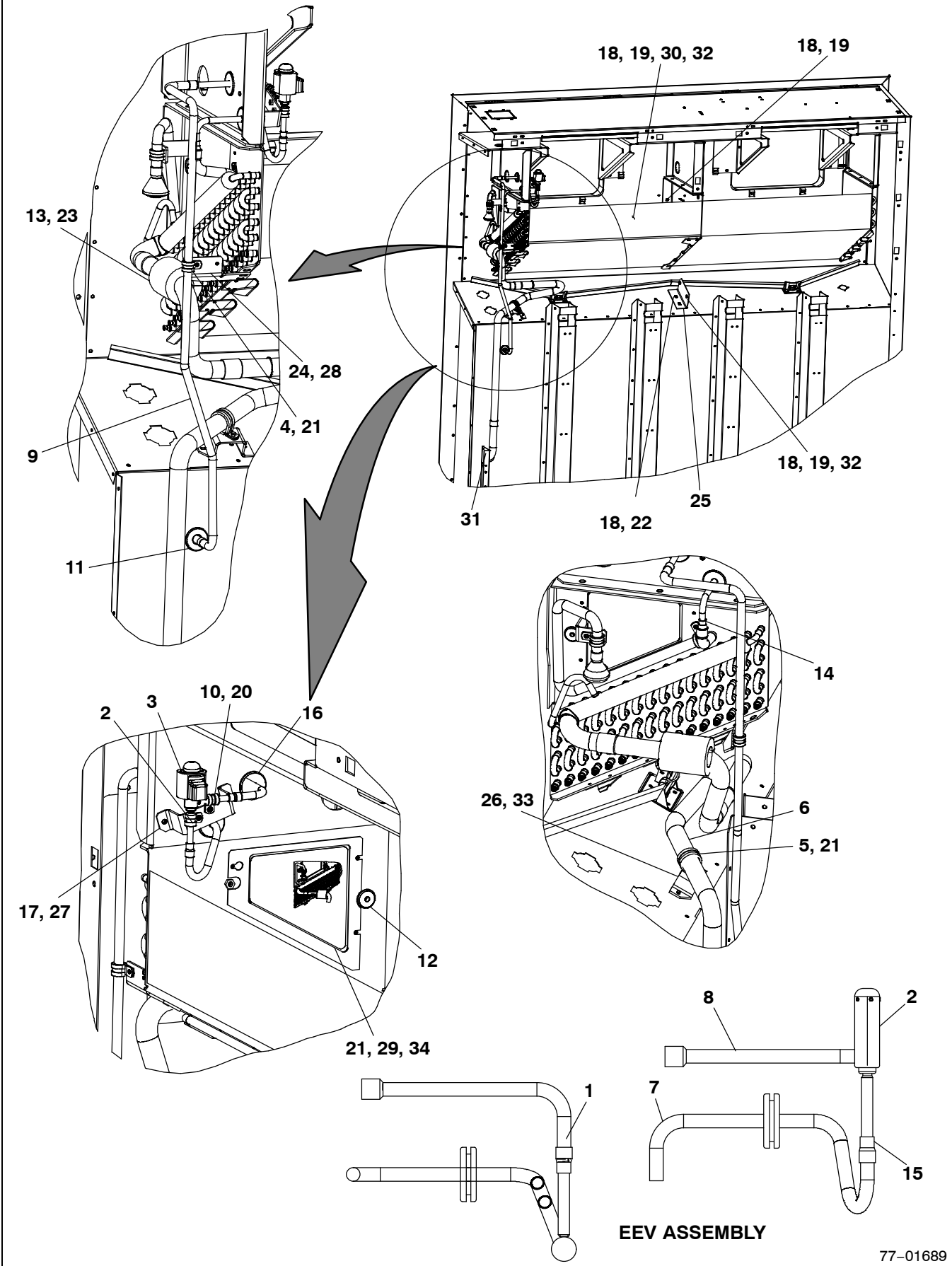
77-66667

**1.19 EVAPORATOR FAN AND MOTOR KIT (Continued)**

<b>Item</b>	<b>Part Number</b>	<b>Description</b>	<b>Qty</b>
1	54-00648-20	Evaporator Motor	2
2	48-00413-00	Stator, Non-anodized Coating	2
	48-00413-01	Stator, Anodized Coating	2
3	38-00626-00	Evaporator Fan	2
4	58-04770-00	Protector	2
5	34-00795-17	Nut, Self Lock	2
6	34-06165-08	Screw, Cap Hex Head 1/4-20X1.00	8
7	66U1-5321-3	Washer, Plain 1/4 N Type A	8
8	34-00616-06	Washer, Special 5/8, 18-8	4
9	66U1-2552-185	Gasket .75 Thick X 1.5X16.63	1
10	69NT43-295	Bracket Assembly	4
11	34-00655-08	Screw, Cap Hex Head 1/4-20 X 1.00	4
12	34-00663-11	Washer, Lock 1/4 Spring	4
13	69NT35-2692-1	Washer, Fender 1/4	4

77-66667-01,04

**1.20 EVAPORATOR TUBING AND COIL**

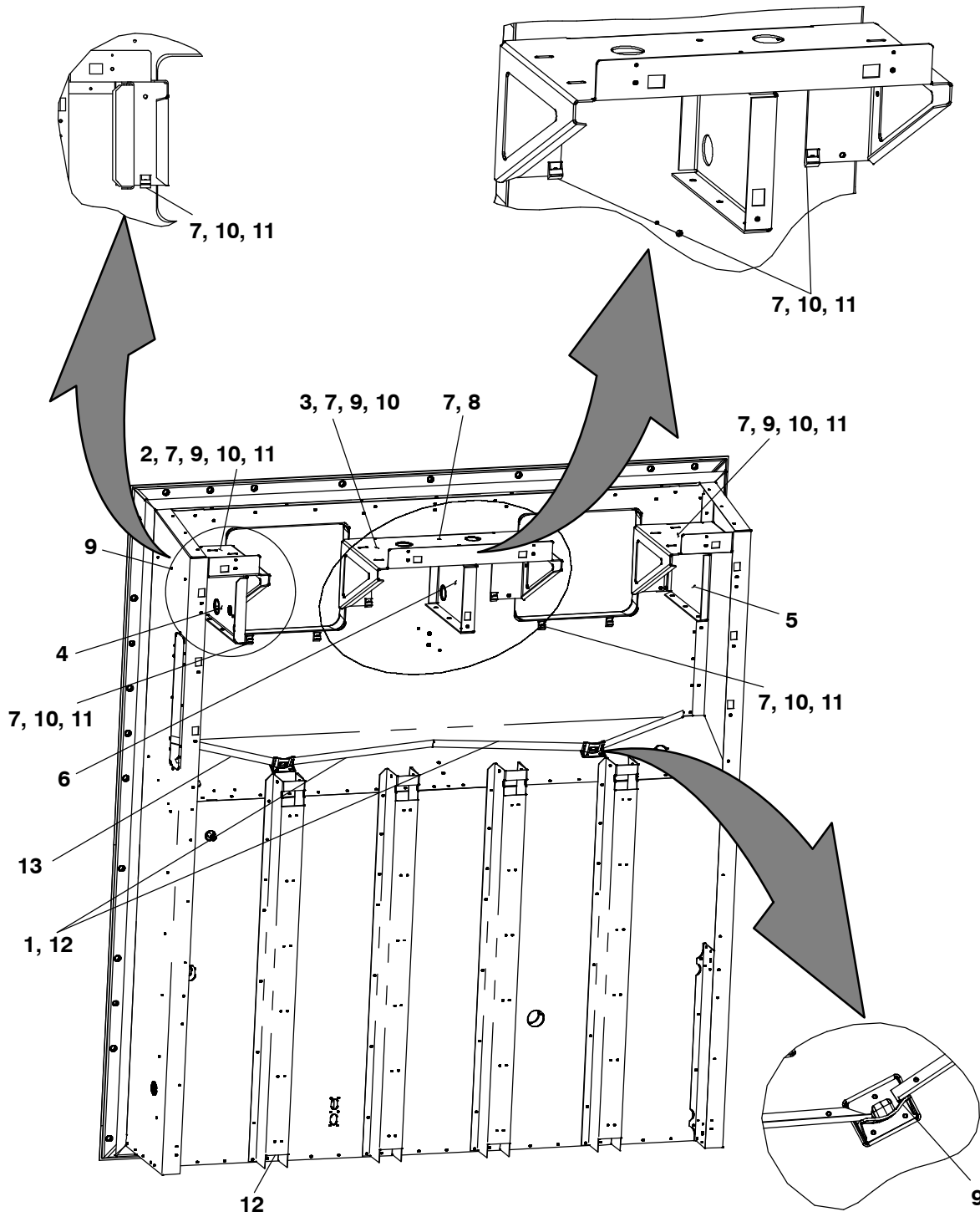


77-01689

<b>1.20 EVAPORATOR TUBING AND COIL (Continued)</b>			
<b>Item</b>	<b>Part Number</b>	<b>Description</b>	<b>Qty</b>
1	14-00176-01	Strainer 100 Mesh, 3/8 OD	1
2	14-00393-00	Valve, EEV	1
3	14-00393-10	Coil, EEV	1
2	14-00435-00	Valve, EEV (PIDs 2591 and 2751 only)	1
3	14-00435-01	Coil, EEV (PIDs 2591 and 2751 only)	1
4	44-00370-03	Clamp, Cushioned	1
5	44-00370-08	Clamp, Cushioned	1
6	56-09195-00	Tube, Suction 1-1/8 OD X .050	1
7	56-09141-00	Tube 3/8 OD X .028	1
8	56-09087-00	Tube, Liquid 3/8 OD X .028	1
9	56-09160-00	Tube, Liquid .500 OD X .035	1
10	34-00373-52	Clamp, Tube	2
11	58-00065-56	Grommet Neoprene	1
12	58-00065-46	Grommet	1
13	42-00425-109	Insulation, Tube Pre-Taped	1
14	40-66629-00	Bushing 5/8 X 3/8	1
15	40-66628-03	Coupling 3/8C X 5/16	2
16	58-00065-91	Grommet	2
17	66U1-5371-6	Screw, Machine Hex Head #10-24 X 0.750 Sltd	2
18	66U1-5321-3	Washer, Plain 1/4 N Type A	15
19	66U1-5361-25	Screw, Cap Hex Head 1/4-20 X 0.75	13
20	66U1-5371-7	Screw, Machine Hex Head #10-24 X 0.500	2
21	66U1-5381-1	Screw, Hex Head #10-24 X.75L	5
22	34-06269-12	Screw, Lag 1/4-10 X 1.50 Hex Head	2
23	66U1-3882-3	Wire Tie	2
24	66U1-5381-3	Screw, Hex Head Sltd #10-24 X0.63L	2
25	68-16893-00	Bracket	1
26	68-17190-00	Bracket	1
27	68-16892-00	Bracket	1
28	68-16715-00	Bracket	1
29	68-17089-00	Plate, Cover	1
30	81-04186-20	Evaporator Coil Assembly	1
31	42-00183-08	Trim, Flexible	1
32	34-00663-11	Washer, Lock 1/4 Spring	11
33	34-00928-09	Rivet, Blind	2
34	62-11750-00	Label Sensor Replacement	1

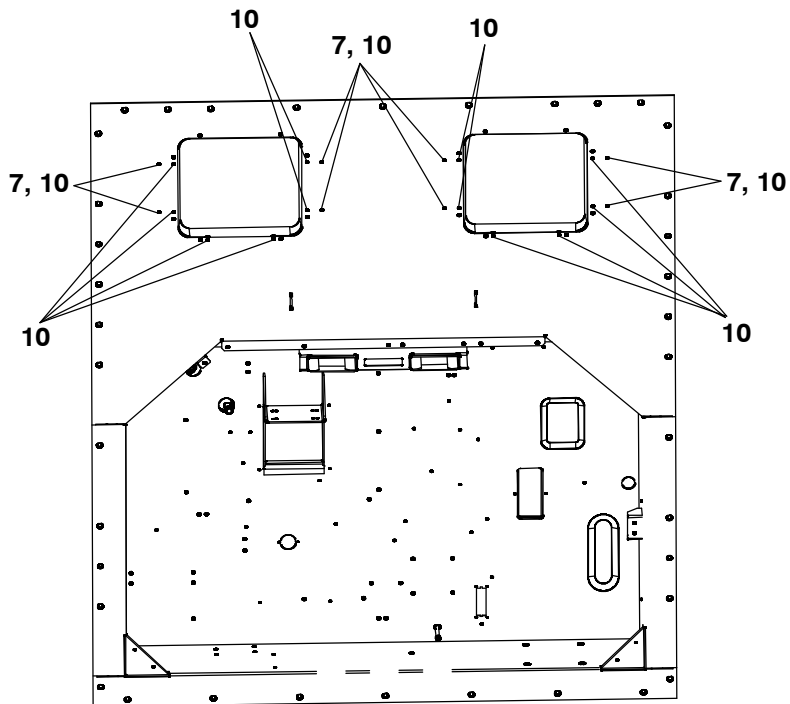
77-01689-00

1.21 FRAME KIT



77-01690

**1.21 FRAME KIT (Continued)**

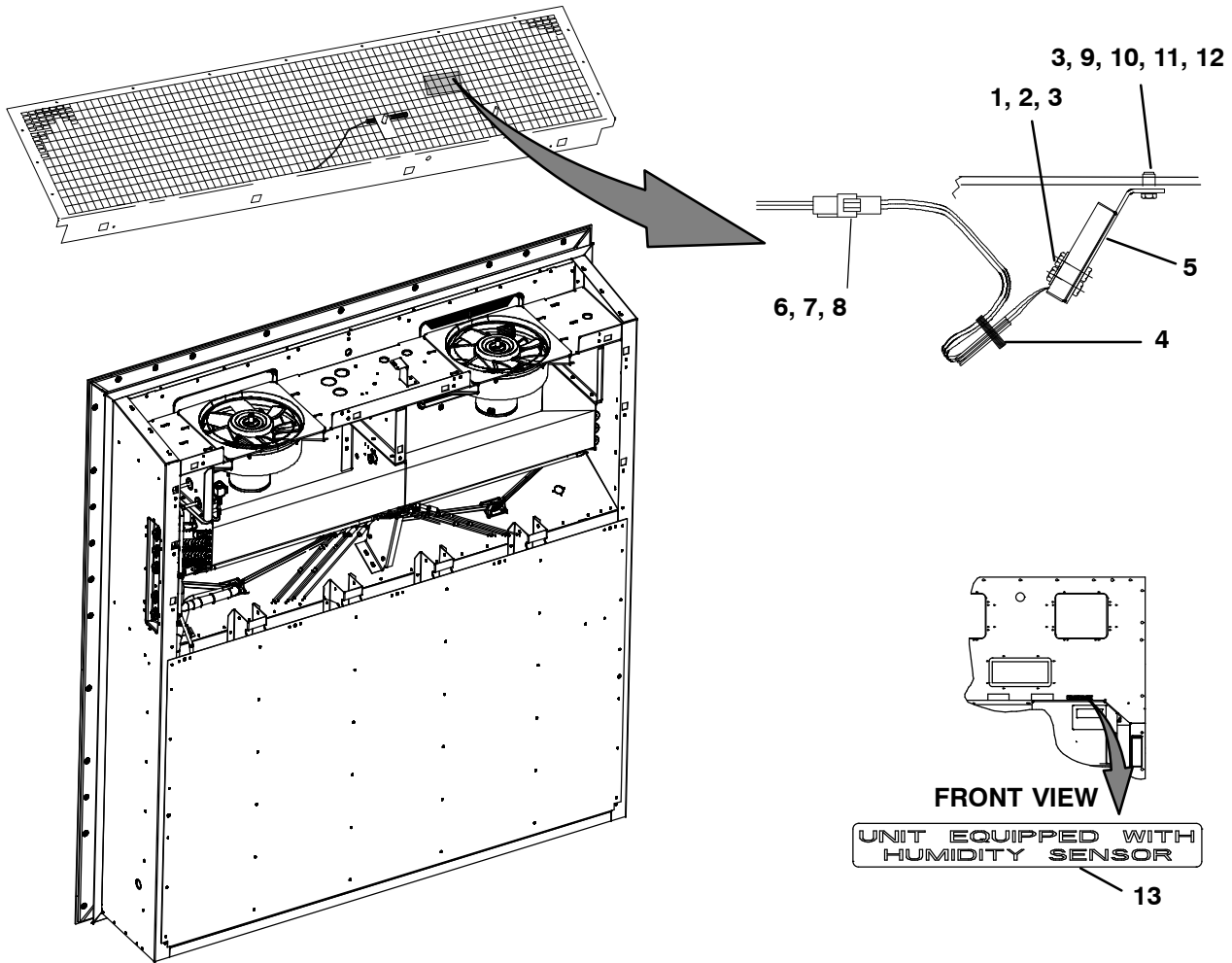


77-01690

Item	Part Number	Description	Qty
1	68-17345-00	Gutter	2
2	68-16696-00	Fan Deck	1
3	68-17419-00	Fan Deck Assembly	1
	68-17419-01	Fan Deck Assembly (No Extend Fresh Option)	1
4	68-16891-00	Panel	1
5	68-16767-00	Panel Assembly	1
6	68-17145-00	Panel Assembly	1
7	66U1-5321-3	Washer, Plain 1/4 N Type A	35
8	66U1-5361-25	Screw, Cap Hex Head 1/4-20 X 0.75	9
9	34-00928-09	Rivet, Blind	19
10	34-00655-10	Screw, Cap Hex Head 1/4-20 X 1.25	32
11	69NT35-2692-1	Washer, Fender 1/4	11
12	34-00928-07	Rivet, Blind	159
13	68-17188-00	Gutter .040 Thick Aluminum	1

77-01690-00,02

**1.22 HUMIDISTAT KIT**



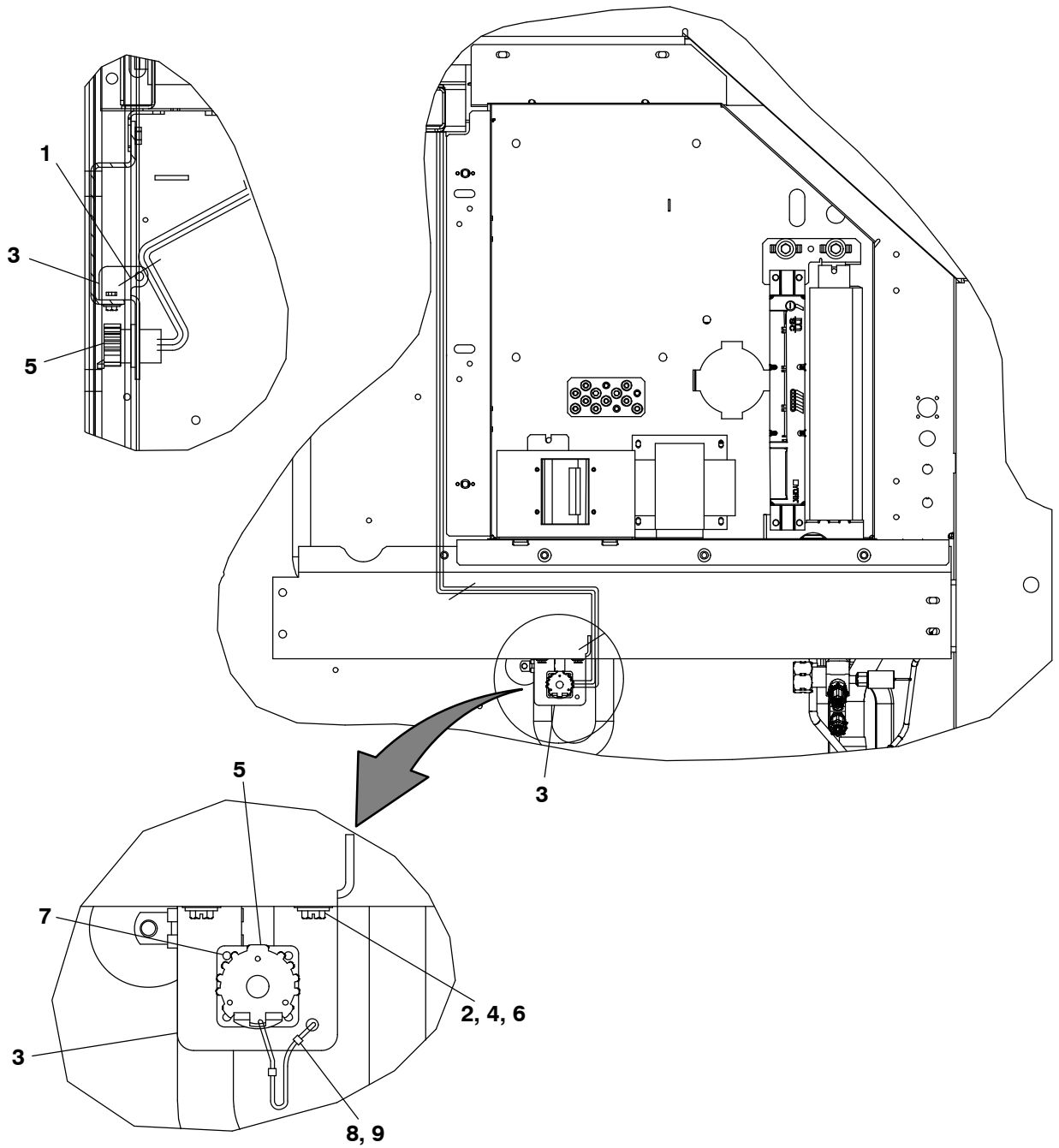
77-01009

Item	Part Number	Description	Qty
1	12-00686-01SV	Humidity Sensor	1
2	66U1-5371-10	Screw, Machine Hex Head #10-24 X 1.00	4
3	66U1-5321-8	Washer, Plain #10 Type A	4
4	66U1-3882	Wire Tie	1
5	68-13181-01	Bracket Assembly Humidity Sensor	1
6	22-01613-06	Plug 3 Pin	1
7	22-01613-07	Lock, Secondary 3 Pin (P)	1
8	22-01613-13	Contact Socket	3
9	AU27JR131	Washer, Lock #10 Ext Tooth	2
10	34-06051-32	Rivnut	2
11	66U1-5371-7	Screw, Machine Hex Head #10-24 X 0.500	2
12	66U1-5321-7	Washer, Plain 1/4 W Type A	2
13	69NT-35-3907	Label Humidity Sensor	1

77-01009-11



### 1.23 INTERROGATE KIT

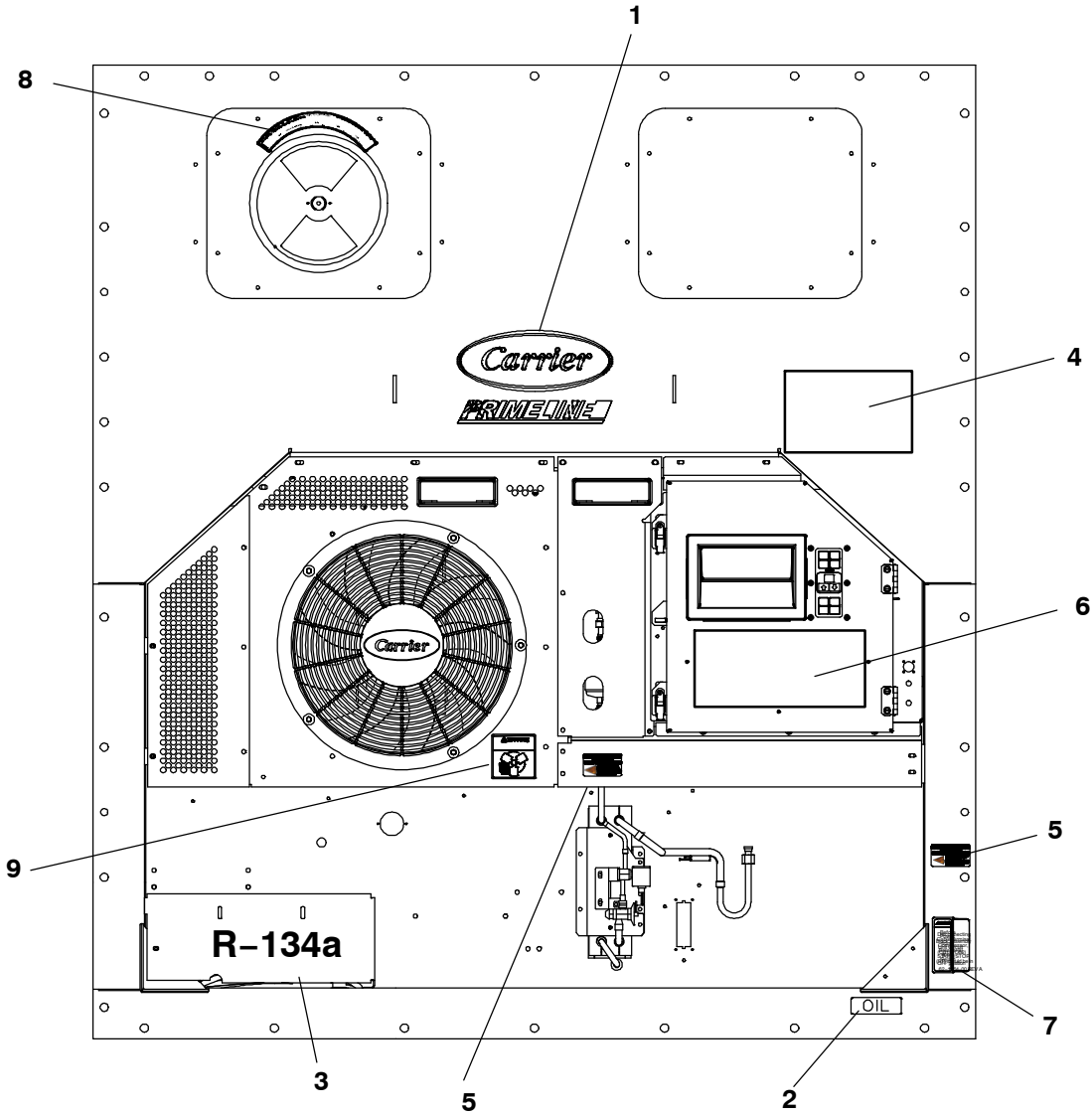


77-01608

Item	Part Number	Description	Qty
1	66U1-3882	Wire Tie 1/16-1-3/4	4
2	66U1-5321-8	Washer, Plain #10 Type A	2
3	68-17021-00	Bracket	1
4	66U1-5371-7	Screw, Machine Hex Head #10-24 X 0.500	2
5	22-01660-05	Dust Cap	1
6	34-06053-05	Washer .205 ID X .600 OD	2
7	34-06142-00	Rivet	4
8	58-01097-00	Cord, Nylon	1
9	22-02205-00	Connector	2

77-01608-01

1.24 LABEL KIT

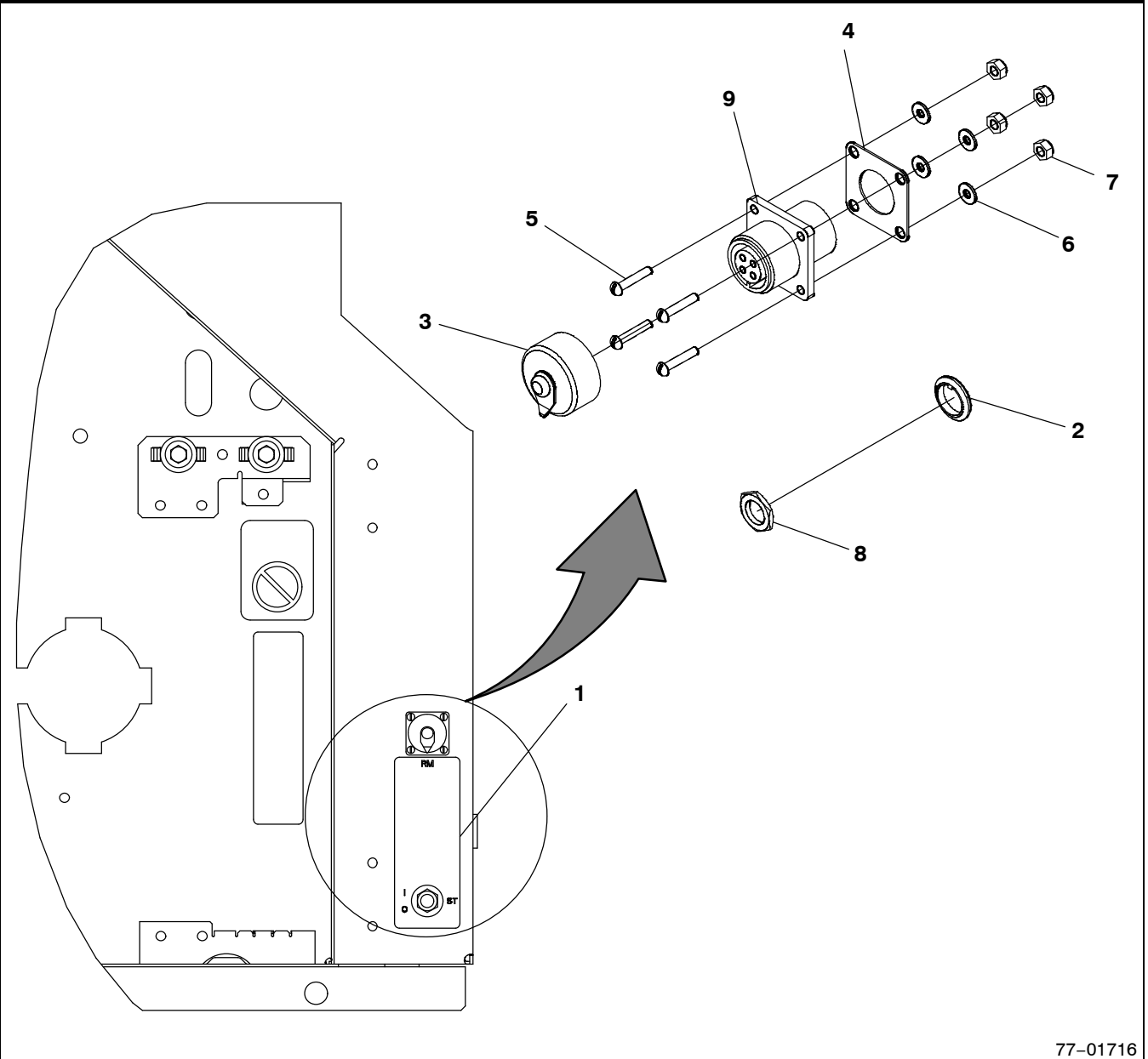


77-01691

Item	Part Number	Description	Qty
1	62-11424-00	Label, Carrier	1
2	62-11263-02	Label, Poe Compressor Oil	1
3	62-11252-00	Label, R-134A	1
4	62-66682-01	Label, Pti	1
5	62-66081-00	Label, Warning Refrig (R-134A)	2
6	62-11739-02	Label, Code-Ctn (English, Spanish)	1
7	62-11264-02	Label, Compressor Warning (English, Spanish)	1
8	62-02723-03	Label Upper Fresh Air	1
9	62-11735-03	Label Fan Warning (English, Spanish)	1

77-01690-00,03, 04, 05

**1.25 PANEL KIT**

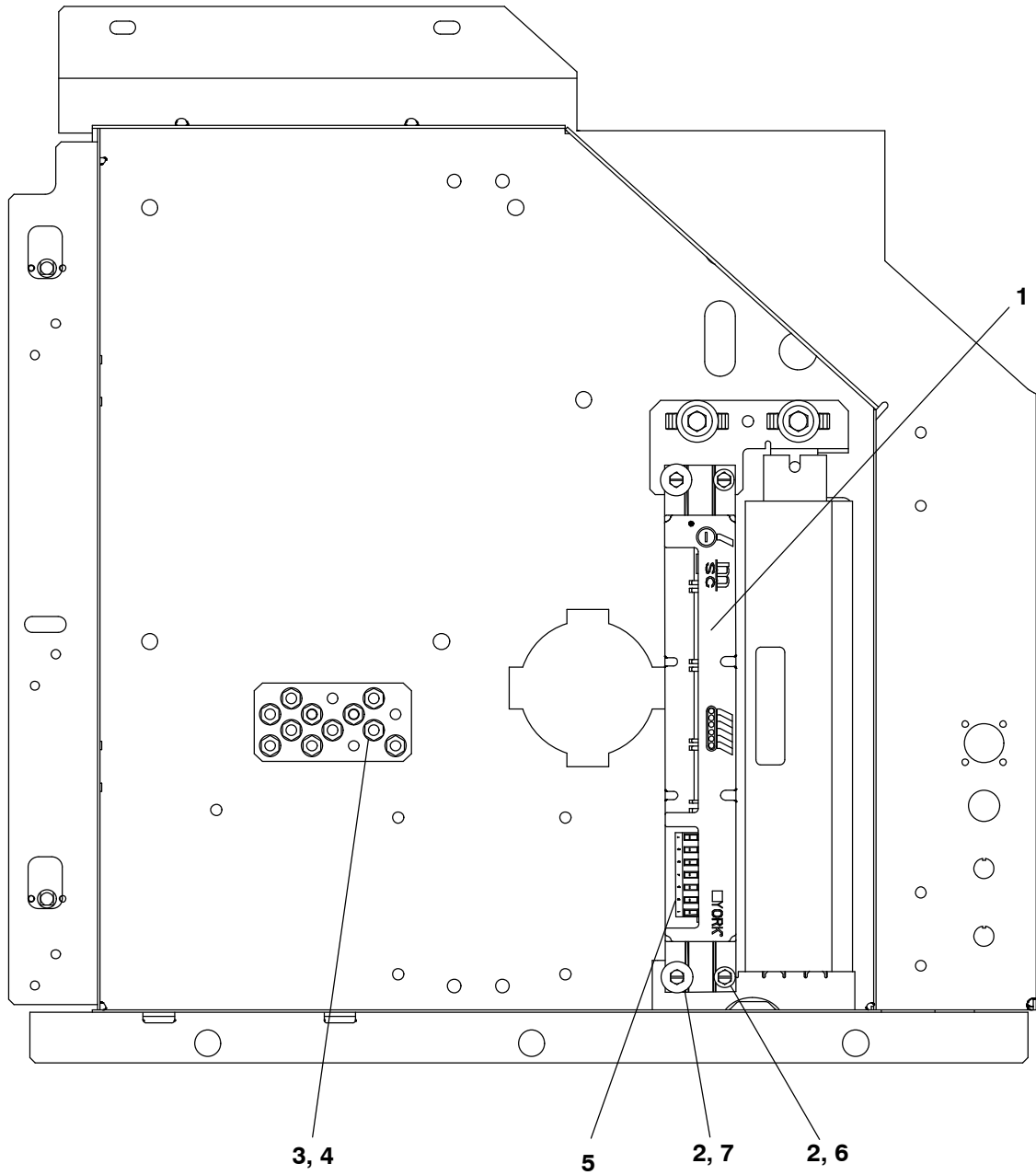


77-01716

Item	Part Number	Description	Qty
1	62-11731-02	Label St, Rm/Switch	1
2	66U1-9752	Seal	1
3	22-02341-01	Cap & Tether Receptacle Assembly	1
4	MS510074	Gasket	1
5	34-00848-10	Screw, Machine	4
6	66U1-5321-6	Washer, Plain .125 ID Type A	4
7	34-00667-05	Nut, Self Lock	4
8	10-01129-20	Nut, Hex 15/32-32	1
9	22-01604-00	Receptacle 4 Connections	1
<b>NO RM RECEPTICAL</b>			
1	62-11731-00	Label St, Rm/Switch	1
2	66U1-9752	Seal	1
8	10-01129-20	Nut, Hex 15/32-32	1

77-01716-00,01

1.26 RMU KIT

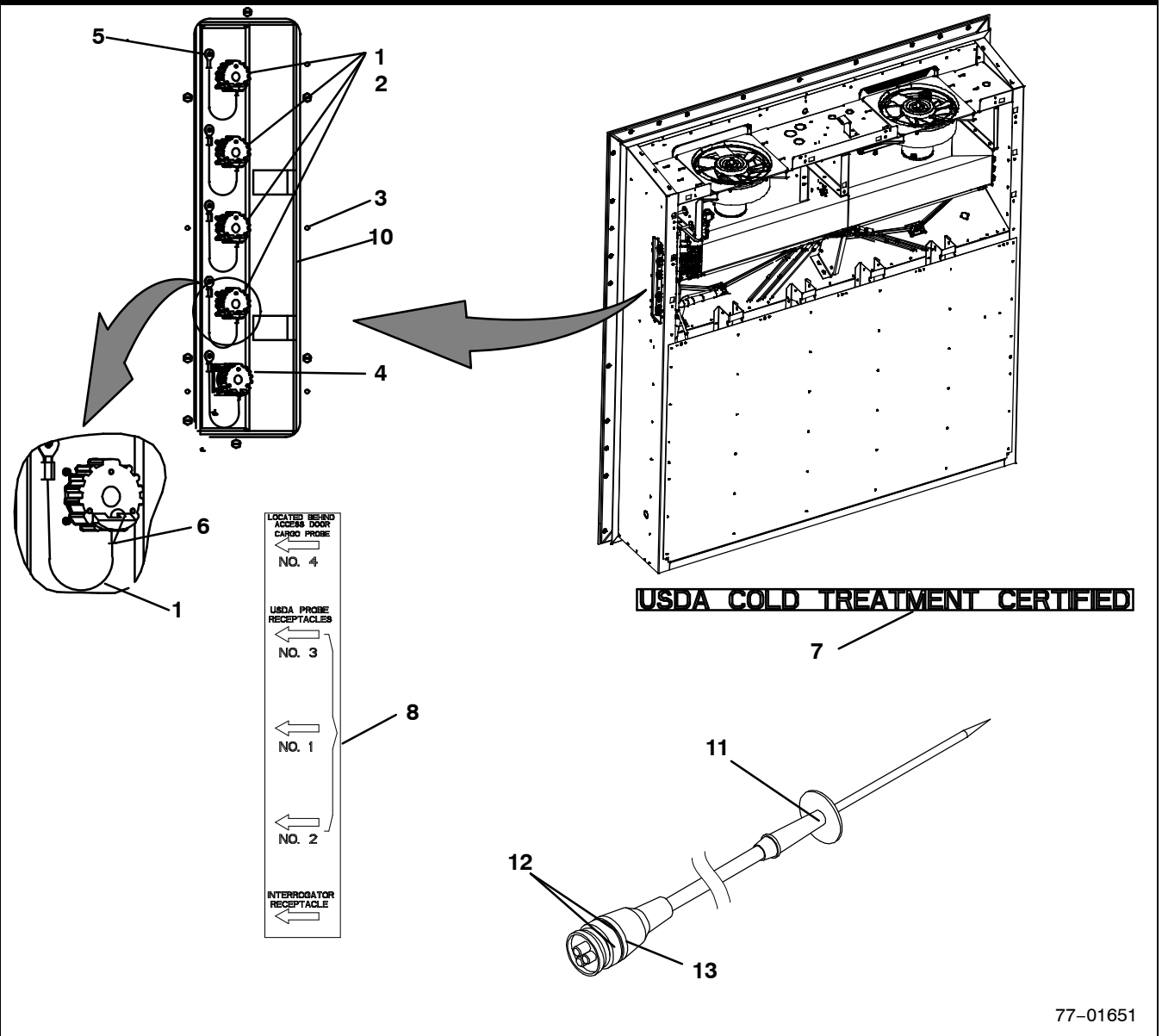


77-01517

Item	Part Number	Description	Qty
1	12-00573-00SV	RMU	1
2	66U1-5371-7	Screw, Machine Hex Head #10-24 X .500	4
3	AT39JA171	Nut, Hex 43834	2
4	AU27JR171	Washer, Lock 1/4 Ext Tooth	2
5	22-01556-00	Connector	1
6	66U1-5321-8	Washer, Plain #10 Type A	2
7	69NT35-2692-4	Washer, Fender #10-.743-.765 OD	2
8	58-00079-01	Sta-Strap	4

77-01517-00

1.27 USDA

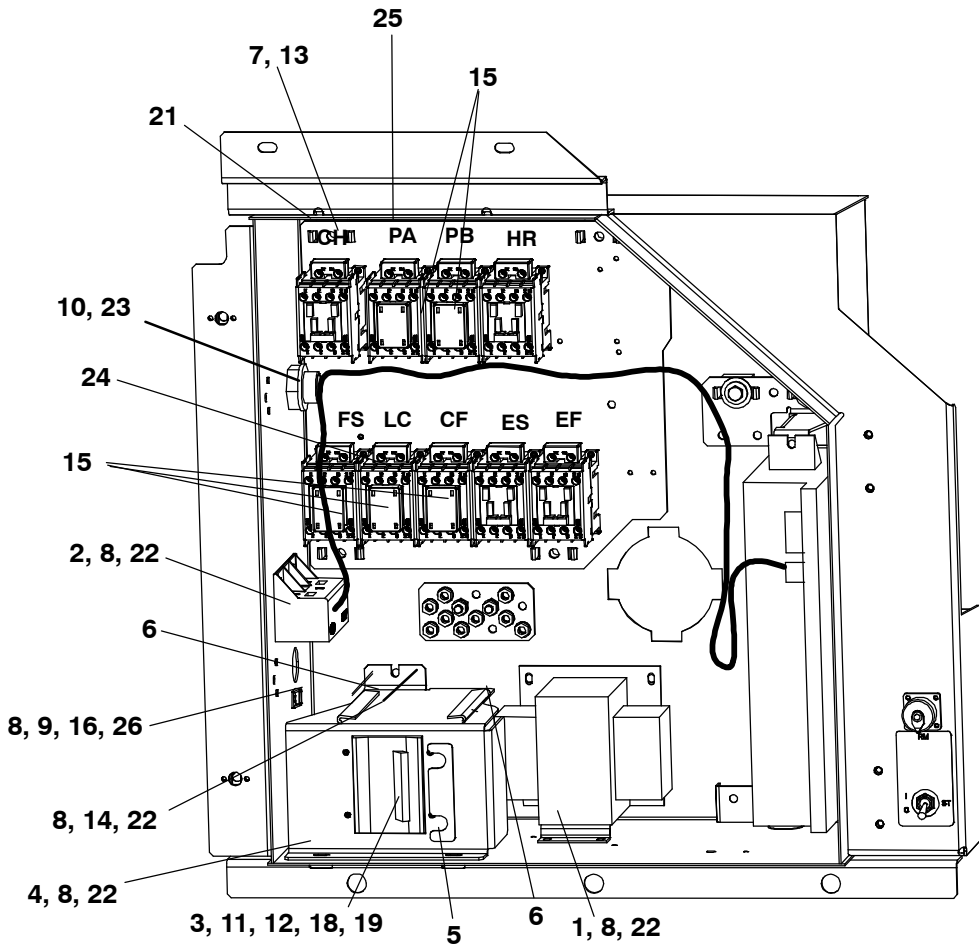
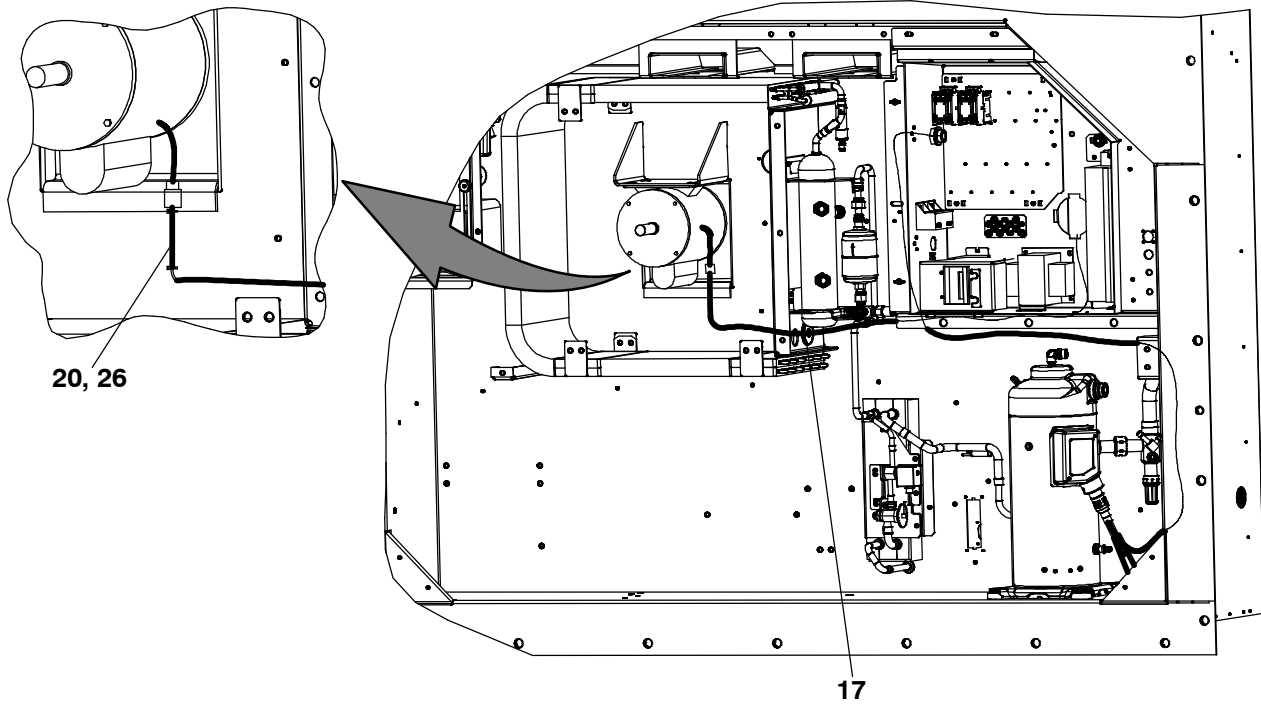


77-01651

Item	Part Number	Description	Qty
1	69NT35-636-1	Tether Assembly	5
2	22-01660-02	Cap, Dust, (3-Pin Receptacle)	4
3	66U1-5371-7	Screw, Machine, Hex Head, #10-24 X 0.500 Slotted	6
4	22-01660-05	Cap, Dust (5-Pin Receptacle)	1
5	34-06142-00	Rivet, 0.110 Inch Diameter, 0.126-0.250	25
6	22-02205-00	Connector Splice, Non-Insulated	5
7	62-11275-00	Label, USDA Cold Treatment Certified	1
8	62-11729-00	Label, USDA	1
9	66U1-3882	Wire Tie, 1/16-1-3/4, Self-Locking	4
10	68-17023-00	Panel	1
<b>USDA PROBE KIT</b>			
11	12-50089-00	Sensor Assembly, 600 Inches Long (15M) (USDA Probe) - Includes:	A/R
12	22-50127-00	Plug, Socket (PR1, PR2, PR3, Cargo Probe 4)	1
13	22-01613-15	Contact, Socket, #16	A/R

77-01651-00

1.28 WIRING KIT

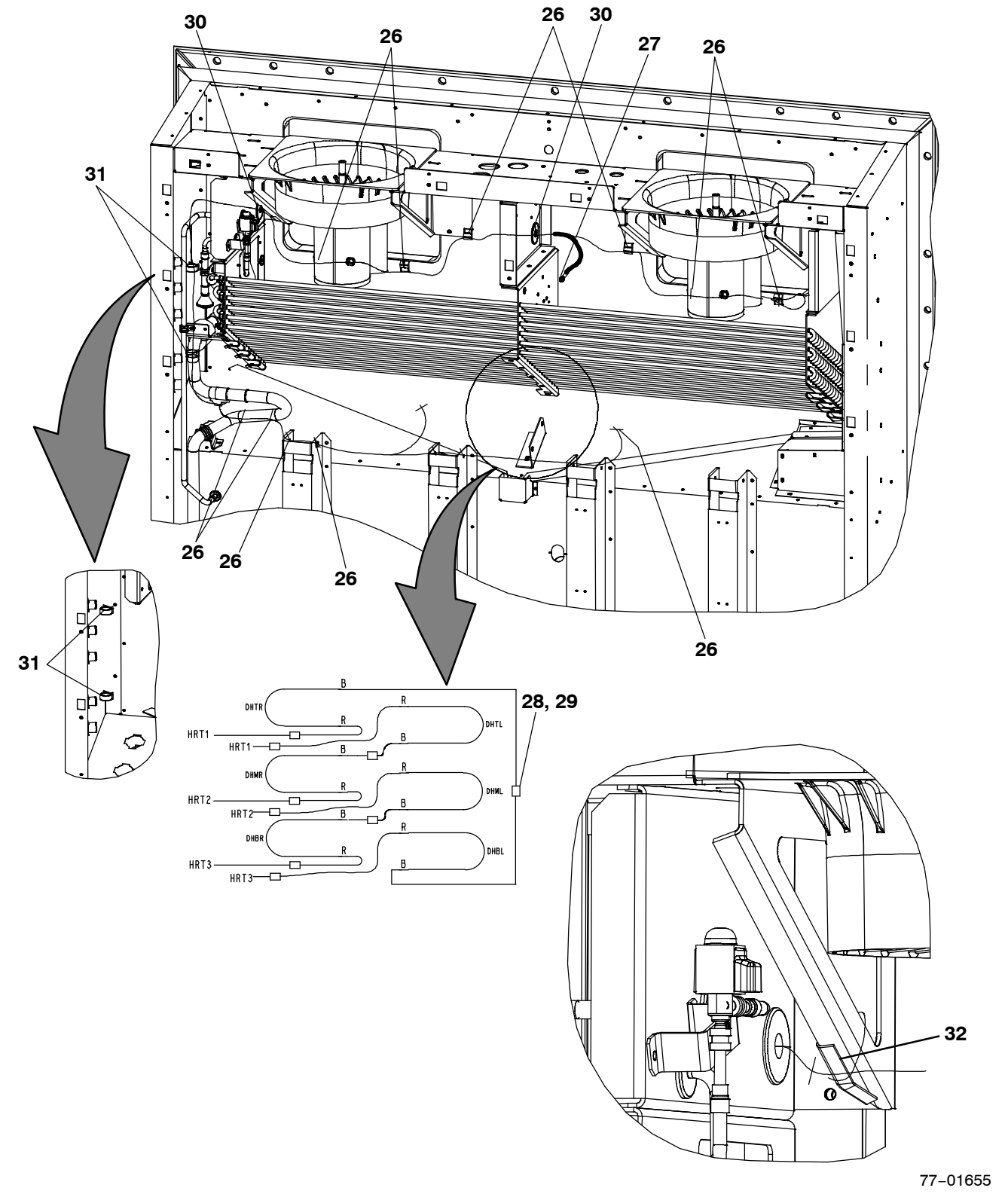


77-01655

<b>1.28 WIRING KIT (Continued)</b>			
<b>Item</b>	<b>Part Number</b>	<b>Description</b>	<b>Qty</b>
1	10-00332-21SV	Transformer	1
2	10-00439-01	Transformer, Current Sensing	1
3	66U1-7842-12	Circuit Breaker 3 Pole, 600 Volt	1
4	68-17405-00	Bracket	1
5	69NT35-9073-1	Label CB1	1
6	66CH1-1172-28	Trim, Flexible 6.00 Long	2
7	34-00655-08	Screw, Cap Hex Head 1/4-20 X 1.00	4
8	66U1-5371-7	Screw, Machine Hex Head #10-24 X 0.500	12
9	34-00663-09	Washer, Lock #10 Spring	1
10	66U1-7352-3	Connector Straight	1
11	66U1-6651-19	Screw, Machine Pan Head #6-32	4
12	34-00663-07	Washer, Lock #6 Spring	4
13	66U1-5321-7	Washer, Plain 1/4 W Type A	4
14	34-06053-14	Washer	1
15	10-00431-11	Cover Contactor	5
16	58-04246-00	Ty-Rap Base	1
17	58-00065-93	Grommet	1
18	66U1-7842-6	Nut, Hex	6
19	66U1-7842-7	Washer, Flat #10-32	12
20	58-00848-12	Tube, Slit 1/2 ID X 27 Lg Corr	1
21	58-00967-00	Spacer Locking (Sub-panel)	4
22	66U1-5321-8	Washer, Plain #10 Type A	11
23	66U1-1251-2	O-Ring 3/4 Hub Sealing	1
24	10-00431-00	Contactactor 12 Amp (HR, CF, ES, EF)	4
25	10-00431-01	Contactactor 30 Amp (PA, PB, CH)	5

77-01655-00

1.28 WIRING KIT (Continued)



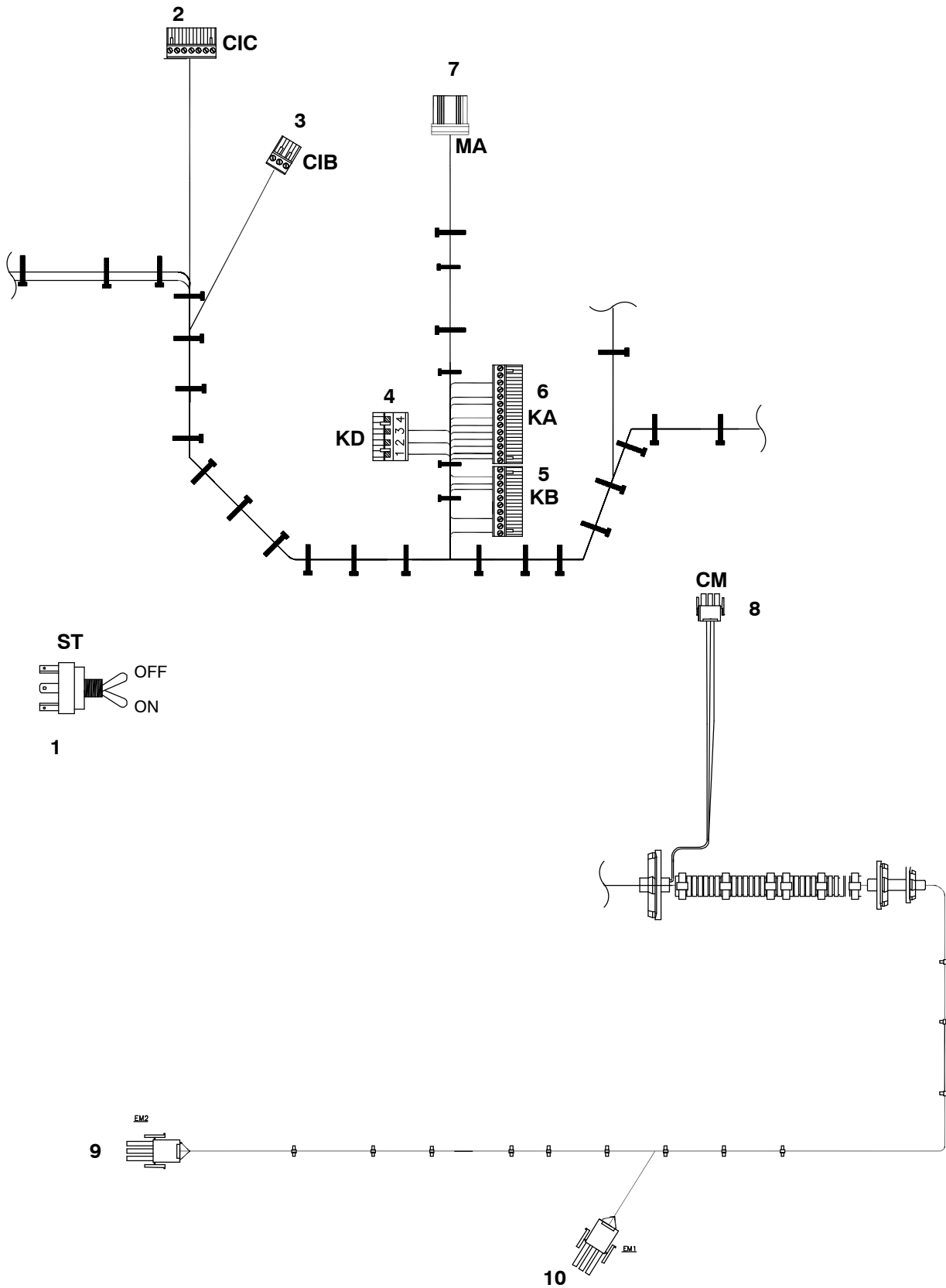


**1.28 WIRING KIT (Continued)**

<b>Item</b>	<b>Part Number</b>	<b>Description</b>	<b>Qty</b>
26	66U1-3882	Wire Tie 1/16-1-3/4 Self locking	44
27	34-01178-22	Screw, Hex Head #8-32 X .50L	1
28	66U1-3803	Tube, Heat Shrink .25 X 2.12 Blk	12
29	22-01292-02	Butt Splice	12
30	58-04273-00	Grommet	2
31	44-00361-00	Clip, Retaining	5
32	66CH1-1172-43	Trim, Flexible 2.88 Long	6

77-01655-00

1.29 WIRING ASSEMBLY

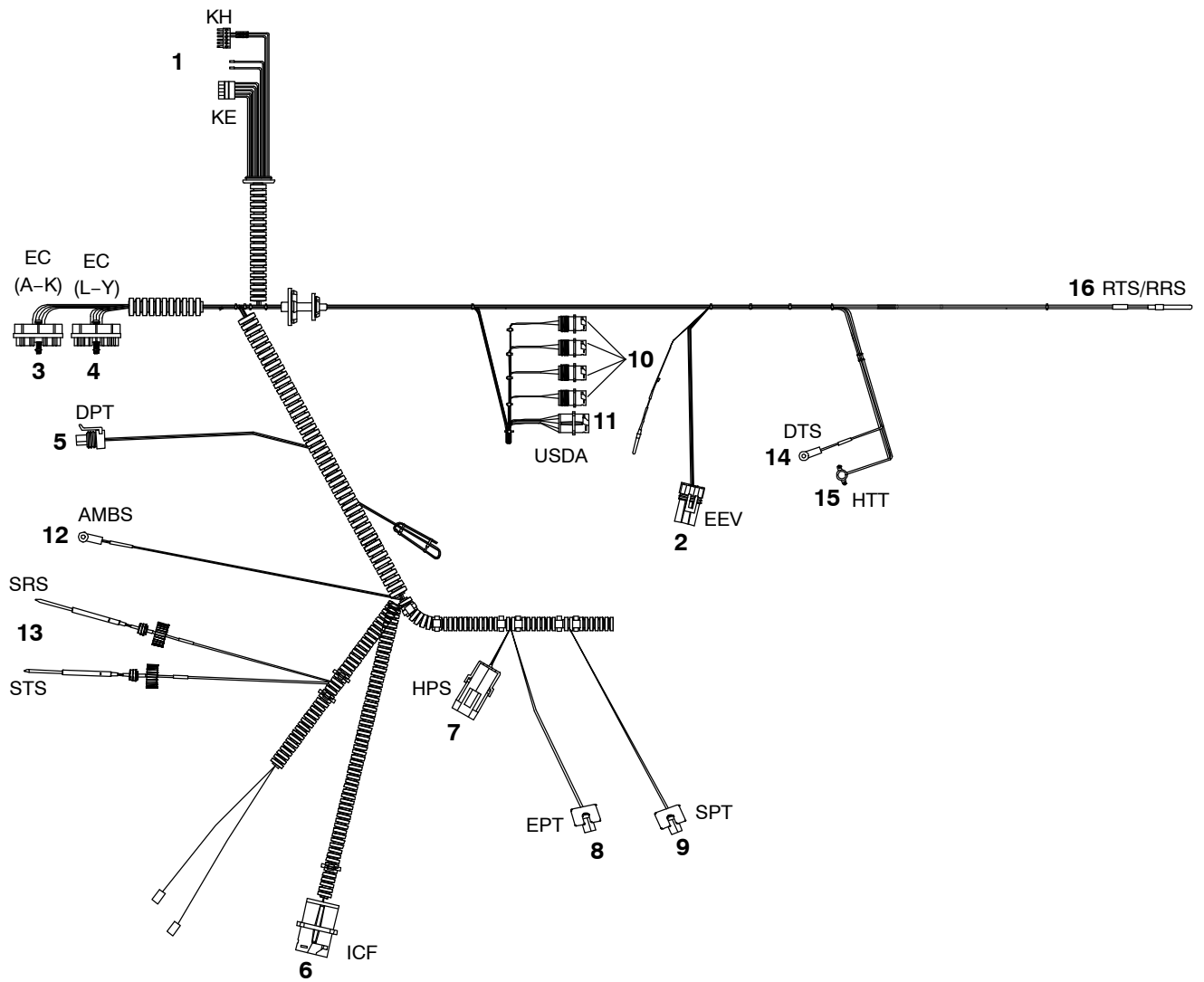


77-00438

<b>1.29 WIRING ASSEMBLY (Continued)</b>			
<b>Item</b>	<b>Part Number</b>	<b>Description</b>	<b>Qty</b>
1	10-01129-11	Switch, Toggle, Start/Stop ( <b>ST</b> )	1
	91-00435-00	High Voltage Harness – Includes:	
2		<b>CIC</b> – Includes:	
	22-01556-06	Block	
	22-02324-09	Terminal	
3		<b>CIB</b> – Includes:	
	22-01556-04	Block	1
4		<b>KD</b> – Includes:	
	22-04031-00	Block	1
	22-04032-00	Terminal	4
5		<b>KB</b> – Includes:	
	22-01556-01	Block	1
	22-01735-00	Terminal	5
6		<b>KA</b> – Includes:	
	22-01556-02	Block	1
	22-01735-00	Terminal	10
7		<b>MA</b> – Includes:	
	22-01622-01	Block	1
	22-01622-03	Terminal	5
8		Condenser Fan Motor ( <b>CM</b> ) – Includes:	
	22-01997-20	Plug CM	1
	22-01997-06	Terminal	7
	22-01997-08	Sealing Plug	3
	22-01997-21	Wire Seal	1
	22-01997-22	Interface Seal	1
9		Evaporator Fan Motor 2 ( <b>EM2</b> ) – Includes:	
	22-01197-20	Plug, EM2	1
	22-01997-06	Terminal	7
	22-01997-08	Sealing Plug	3
	22-01997-21	Wire Seal	1
	22-01997-22	Interface Seal	1
10		Evaporator Fan Motor 1 ( <b>EM1</b> ) – Includes:	
	22-01997-20	Plug, EM1	1
	22-01997-06	Terminal	5
	22-01997-08	Sealing Plug	2
	22-01997-21	Wire Seal	1
	22-01997-22	Interface Seal	1

77-00438-08

# 1.30 HARNESS – LOW VOLTAGE



22-04276

Item	Part Number	Description	Qty
	22-04299-00	Harness Low Voltage includes:	
1	22-66656-33	Harness (KH-KE-EEV) Includes	
		KH – Includes:	
	22-04016-00	Block	1
	22-01735-00	Terminal	2
		KE – Includes:	
	22-04031-01	Connector	1
	22-04032-00	Terminal	5
2		Electronic Expansion Valve (EEV) – Includes:	
	22-01835-00	Block	1
	22-01566-01	Terminal	5
	22-02394-02	Cable Seal	5

<b>1.30 HARNESS – LOW VOLTAGE (Continued)</b>			
<b>Item</b>	<b>Part Number</b>	<b>Description</b>	<b>Qty</b>
3		EC (A-K) – Includes:	
	22-01777-06	Seal	4
	22-01777-07	Retainer	2
	66U1-6651-24	Screw Pan Head 10-24-1.50 Inch Long SST	1
	22-01777-00	Connector	1
	22-01777-03	Terminal	21
	22-01777-02	Seal	4
4		EC(L-Y) – Includes:	
	22-01777-06	Seal	4
	22-01777-07	Retainer	2
	66U1-6651-24	Screw Pan Head 10-24-1.50 Inch Long SST	1
	22-01777-00	Connector	1
	22-01777-03	Terminal	21
5		Discharge Pressure Transducer (DPT) – Includes:	
	22-02448-00	Block	1
	22-01777-03	Terminal	3
6		ICF	
	22-01660-03	Block	1
	22-01613-14	Terminal	5
7		High Pressure Switch (HPS) – Includes:	
	22-02392-00	Block	1
	22-02393-01	Terminal	2
	22-02394-00	Seal	2
8		Evaporator Pressure Transducer (EPT) – Includes:	
	22-01944-00	Block	1
	22-01944-10	Gasket	1
	22-01944-05	Cap	1
	22-01777-03	Terminal	3
9		Suction Pressure Transducer (SPT) – Includes:	
	22-01944-00	Block	1
	22-01944-10	Gasket	1
	22-01944-05	Cap	1
	22-01777-03	Terminal	3
10		USDA – Includes:	
	22-01660-00	Connector	4
	22-01613-12	Terminal	8
	22-01614-06	Plug	4
11		USDA – Includes:	
	22-01660-03	Connector	1
	22-01613-12	Terminal	5
12	12-00495-00	Thermistor, Ambient (AMBS)	1
13	12-00395-02	Thermistor, Supply Recorder Sensor (SRS) / Supply Temp Sensor (STS)	2
14	12-00495-01	Thermistor, Defrost (DTS)	1
15	12-00170-08	Thermistor, Evaporator Defrost (HTT)	1
16	12-00500-00	Thermistor, Combo/Return (RTS/RRS)	1

22-04276-02

<b>2 TOOLS</b>	
<b>PART NO.</b>	<b>DESCRIPTION</b>
07-00176-11	Vacuum Pump, Dual Voltage/Dual Frequency
07-00375-00	Stepper Motor Drive Tester
07-00408-00	Stepper Jumper Assembly
07-00462-00	Temperature Tester, 4-Lead
07-00477-00	Inspection Mirror
07-00228-00	Multimeter, Digital
07-00229-00	Amprobe Clamp ( <b>Used with 07-00228-00</b> )
07-00238-00	Wrench, Service Valve
07-00243-10	Multimeter, Digital ( <b>Fluke</b> )
07-00277-00	Kit, Static Dissipative (Used for Working on Electronic Components)
07-00304-00	Ground Strap, Wrist (Used for Working on Electronic Components)
07-00294-00	Gauge Set, Manifold - <b>Fahrenheit/PSI</b>
07-00294-05	Gauge Set, Manifold - <b>Centigrade/KPa</b>
07-00295-00	Detector, Leak
07-00397-03	Extractor, Pin (Used on Fan Motor Plugs and Interrogator Plugs)
07-00397-02	Crimper, Pin (Used on Fan Motor Plugs and Interrogator Plugs)
07-00329-00	Extractor, Pin (Used on Controller Module Connectors)
07-00330-00	Crimper, Pin (Used on Controller Module Connectors)
07-00391-00	Application Gun (Used with 07-00390-00)
07-00398-00	Software Card Programmer
07-00409-00	1-1/8 Inch, 3/8 Inch Drive, Used on Economizer Valve
07-00410-00	1-3/8 Inch, 3/8 Inch Drive, Used on Suction/Discharge Valve
07-00418-00	Torx Driver Bit
07-00512-00	Magnet Tool, Used to Open Valves
<b>Refer to Manual 62-03213</b>	

# PART NAME INDEX

## A

AT39JA171, 11, 50  
AU27JR131, 37, 46  
AU27JR171, 11, 31, 50

## B

Battery, Real Time Clock, 35

## C

Circuit Breaker 3 Pole, 600 Volt, 53  
Coil Kit, Solenoid (DUV), 19  
Coil, EEV, 43  
Coil, ESV, 26  
Compressor, Scroll, 18  
Condenser Coil, i  
Condenser Coil Assembly, 23  
Condenser Fan Assembly, 29  
Condenser Fan Motor, 29  
Condenser Grille, 29  
Contactor 12 Amp, 53  
Contactor 30 Amp, 53  
Controller/DataCORDER Module, 35

## D

Defrost Heater, 39  
Door, Control Box, 37

## E

eAutoFresh, ii  
EC39DM070, 20, 21  
Evaporator Coil Assembly, 43  
Evaporator Fan, 41  
Evaporator Motor, 41

## F

Fan Deck, 5  
Fan Deck Assembly, 45  
Filter Drier, 26

## H

Heat Exchanger, 27  
High Pressure Switch, 20  
Humidity Sensor, 46

## K

Key Pad Assembly, 37

## M

MS510074, 49

## Q

Quest – CCPC, ii

## T

Thermistor, Ambient (AMBS), 59  
Thermistor, Combo/Return (RTS/RRS), 59  
Thermistor, Defrost (DTS), 59  
Thermistor, Evaporator Defrost (HTT), 59  
Thermistor, Supply Recorder Sensor (SRS) / Supply Temp Sensor (STS), 59  
Transducer Service (EPT), (SPT), 19  
Transducer, DPT, 20  
Transducer, SPT, EPT, 20  
Transformer, 53  
Transformer, Current Sensing, 53

## U

Upper Air Panel Assembly, 7  
Upper VPS Sensor, 7  
USDA Sensor Assembly, 51

## V

Valve Body Solenoid, ESV, 26  
Valve, EEV, 43  
Valve, Service, 20





# PART NUMBER INDEX

PART NO.	PAGE NO.	PART NO.	PAGE NO.	PART NO.	PAGE NO.
<b>0</b>				<b>2</b>	
07-00176-11	60	12-00395-02	59	22-00119-03	15
07-00228-00	60	12-00433-03RP	37	22-00119-04	15
07-00229-00	60	12-00495-00	59	22-01197-20	57
07-00238-00	60	12-00495-01	59	22-01292-02	55
07-00243-10	60	12-00500-00	59	22-01556-00	50
07-00277-00	60	12-00594	35	22-01556-01	57
07-00294-00	60	12-00603-02	7	22-01556-02	57
07-00294-05	60	12-00615	35	22-01556-04	57
07-00295-00	60	12-00686-01SV	46	22-01556-06	57
07-00304-00	60	12-50089-00	51	22-01566-01	58
07-00329-00	60	12-55009	35	22-01602-02	13
07-00330-00	60	14-00176-01	43	22-01602-03	13
07-00375-00	60	14-00220-04	26	22-01604-00	49
07-00391-00	60	14-00221-04	26	22-01613-06	46
07-00397-02	60	14-00222-02	26	22-01613-07	46
07-00397-03	60	14-00232-33	26	22-01613-10	7
07-00398-00	60	14-00284-20	26	22-01613-11	7
07-00408-00	60	14-00341-07	26	22-01613-12	59
07-00409-00	60	14-00341-11	26	22-01613-13	7, 46
07-00410-00	60	14-00361-01	19	22-01613-14	59
07-00418-00	60	14-00361-02	19	22-01613-15	51
07-00462-00	60	14-00361-09	20	22-01614-06	59
07-00477-00	60	14-00361-10	19	22-01622-01	57
07-00512-00	60	14-00361-11	19	22-01622-03	57
09-00375-00	35	14-00361-12	19	22-01660-00	59
		14-00361-13	19	22-01660-02	51
		14-00361-14	19	22-01660-03	59
		14-00361-17	20	22-01660-05	47, 51
		14-00393-00	43	22-01660-08	7
		14-00393-10	43	22-01713-46	19
		14-00435-00	43	22-01713-49	37
		14-00435-01	43	22-01733-01	13
		14-01032-14	26	22-01735-00	57, 58
		14-01090-12	26	22-01777-00	59
		14-01091-05	26	22-01777-02	59
		14-01091-20	27	22-01777-03	59
		14-01091-21	27	22-01777-06	59
		14-01091-22	27	22-01777-07	59
		18-10136-30	18		
		18-10165-20	18		
<b>1</b>					
10-00332-21SV	53				
10-00431-00	53				
10-00431-01	53				
10-00431-11	53				
10-00439-01	53				
10-01129-05	35				
10-01129-11	35, 57				
10-01129-12	35				
10-01129-20	49				
12-00170-08	59				
12-00309-05	20				
12-00352-00	20				

# PART NUMBER INDEX

22-01835-00	58	34-00616-06	41	34-06136-01	17
22-01879-50	15	34-00655-04	9, 23	34-06139-04	37
22-01944-00	59	34-00655-08	7, 41, 53	34-06142-00	47, 51
22-01944-05	59	34-00655-10	11, 39, 45	34-06154-00	7, 8
22-01944-10	59	34-00655-12	39	34-06154-03	13
22-01997-06	57	34-00655-16	20	34-06165-08	41
22-01997-08	57	34-00655-18	21	34-06169-00	37
22-01997-20	57	34-00662-08	20	34-06185-01	7
22-01997-21	57	34-00662-09	20	34-06212-12	7, 8
22-01997-22	57	34-00662-13	23	34-06236-00	18
22-02205-00	47, 51	34-00663-07	53	34-06269-12	43
22-02324-01	15	34-00663-09	18, 53	34-06277-02	18
22-02324-09	57	34-00663-11	39, 41, 43	34-06295-04	20
22-02336-02	35	34-00667-05	49	34-06357-00	29
22-02336-08	35	34-00667-11	11, 17, 26	34-06367-00	20
22-02341-01	49	34-00667-12	29	34-06368-00	20
22-02378-00	15	34-00795-17	41	34-66622-05	7
22-02392-00	59	34-00848-10	49	34-66638-00	27
22-02393-01	59	34-00928-01	11	38-00620-01	29
22-02394-00	59	34-00928-04	33	38-00626-00	41
22-02394-02	58	34-00928-07	5, 45		
22-02448-00	59	34-00928-09	5, 43, 45	<b>4</b>	
22-04016-00	58	34-00928-20	5, 7, 9, 13, 33		
22-04031-00	57	34-01142-01	11	40-00091-03	19, 20
22-04031-01	58	34-01146-04	20	40-00520-01	26
22-04032-00	57, 58	34-01146-05	20	40-00520-02	20
22-04128-10	18	34-01178-22	31, 55	40-00520-03	20
22-04299-00	58	34-01178-23	31	40-00542-00	20
22-50127-00	51	34-01181-01	29	40-00542-01	20
22-66651-10	15	34-06051-32	46	40-00583-05	20
22-66651-12	15	34-06053-00	5, 13, 17, 20, 21, 23, 33, 37	40-00583-20	20
22-66656-33	58	34-06053-02	26, 29	40-00665-20	20
22-66681-00	7	34-06053-03	11, 33	40-00665-21	20
24-66603-00	39	34-06053-05	17, 20, 26, 37 47	40-00667-00	27
		34-06053-13	7, 8	40-00668-00	27
		34-06053-14	53	40-66620-01	26
		34-06053-18	5	40-66625-38	26
		34-06053-19	7	40-66628-03	43
		34-06053-20	18	40-66629-00	43
		34-06107-00	37	42-00032-00	27
				42-00032-13	26
<b>3</b>					
30-00407-02SV	35				
34-00373-07	26				
34-00373-51	21				
34-00373-52	43				
34-00373-54	26				

# PART NUMBER INDEX

42-00065-01	27			58-04273-00	33, 55
42-00174-110	9		<b>5</b>	58-04276-00	33
42-00174-111	9	54-00648-20	41	58-04279-00	33
42-00174-116	9	54-00670-20	29	58-04290-01	13
42-00174-34	9	56-07911-00	26	58-04302-01	13
42-00183-08	43	56-08627-00	27	58-04315-00	31
42-00243-04	27	56-08667-00	27	58-04316-00	17, 31, 37, 38
42-00243-12	20	56-09063-00	20	58-04321-24	31
42-00296-01	7, 8	56-09064-00	26	58-04366-00	37
42-00327-00	7, 8	56-09087-00	43	58-04376-05	7
42-00334-00	9	56-09141-00	43	58-04378-01	8
42-00389-03	26	56-09149-00	23	58-04539-10	38
42-00390-03	26	56-09160-00	43	58-04539-11	38
42-00407-00	7	56-09163-00	27	58-04539-12	38
42-00425-109	43	56-09164-00	27	58-04539-13	38
42-00425-112	20	56-09195-00	43	58-04680-00	11
42-00425-131	20	56-66738-00	27	58-04770-00	41
42-00425-139	27	58-00065-46	43	58-04791-01	18
42-00425-140	21	58-00065-56	43	58-04821-00	18
42-00425-69	27	58-00065-91	43	58-04910-00	23
42-00425-78	27	58-00065-93	53	58-04910-01	23
42-00425-93	27	58-00065-95	20	58-04910-02	23, 27
42-00667-28	27	58-00079-01	50	58-04910-04	26
42-00667-32	27	58-00616-00	13	58-04910-05	27
42-00741-00	37	58-00701-03	11	58-04954-00	37
42-00771-00	23, 27	58-00836-19	26	58-04960-00	37
42-00771-01	23, 27	58-00848-12	53	58-04980-00SV	29
42-00771-02	23, 27	58-00967-00	11, 53	58-66646-00	7
42-00771-03	23, 27	58-00969-00	7, 31		
44-00285-54	21	58-01097-00	47		
44-00285-57	20	58-01184-00	35	<b>6</b>	
44-00361-00	31, 55	58-04026-07	17	62-02719-00	35
44-00370-03	26, 43	58-04026-108	23, 26	62-02723-21	48
44-00370-08	43	58-04026-23	23, 26	62-10911-00	11
44-00391-00	37	58-04026-32	11	62-10930-00	7
44-00477-00	37	58-04026-59	26	62-11252-00	48
44-01041-04	31	58-04101-00	37	62-11263-02	48
44-01043-07	19, 20	58-04101-02	37	62-11264-01	48
48-00413-00	41	58-04202-02	38	62-11275-00	51
48-00413-01	41	58-04246-00	18, 53	62-11424-00	48

# PART NUMBER INDEX

62-11729-00	51	66U1-5371	27	68-16891-00	45
62-11731-00	49	66U1-5371-10	20, 46	68-16892-00	43
62-11731-02	49	66U1-5371-6	17, 18, 20, 26 31, 37, 43	68-16893-00	43
62-11735-04	48			68-16894-00	39
62-11739-02	48	66U1-5371-7	26, 33, 35, 37 43, 46, 47, 50	68-17021-00	47
62-11750-00	43		51, 53	68-17023-00	51
62-66081-00	48	66U1-5381-1	43	68-17044-01	5
62-66682-01	48	66U1-5381-3	43	68-17089-00	43
62-66723-00	7	66U1-5562-12	13	68-17118-00	5
66-U1-5321-7	20	66U1-5562-2	7, 8, 13	68-17129-01	5
66CH1-1172-2	7	66U1-5562-7	11	68-17131-00	17
66CH1-1172-28	53	66U1-6651-19	53	68-17145-00	45
66CH1-1172-43	55	66U1-6651-24	59	68-17175-00	9
66U1-1251-2	17, 53	66U1-6782	15	68-17185-00	23
66U1-1571-14	13	66U1-6811-8	37	68-17188-00	5, 45
66U1-1571-3	27	66U1-7352-3	17, 53	68-17190-00	43
66U1-2403	9	66U1-7842-12	53	68-17196-00	23
66U1-2403-1	37	66U1-7842-6	53	68-17220-00	37
66U1-2552-185	41	66U1-7842-7	53	68-17290-01	27
66U1-2583	15	66U1-9592-13	11	68-17293-00	9
66U1-2593-4	9	66U1-9752	49	68-17298-00	37
66U1-3632-20	20	68-11989-00	8	68-17337-00	9
66U1-3803	19, 20, 27, 31, 55	68-12933-07	7	68-17345-00	45
		68-12940-05	7	68-17361-00	9
66U1-3882	17, 18, 26, 31 37, 46, 47, 51 55	68-13181-01	46	68-17368-00	20
		68-14278-00	26	68-17405-00	53
66U1-3882-3	20, 27, 43	68-14456-01	17	68-17419-00	45
66U1-5321-13	7	68-14815-00	7	68-17419-01	45
66U1-5321-2	27	68-14903-00	7	68-86230-00	11
66U1-5321-3	5, 9, 11, 23, 39 41, 43, 45	68-15477-02	26	69NT-35-2692	9
		68-15478-02	26	69NT-35-3907	46
66U1-5321-6	49	68-15532-00	20	69NT35-2692	35
66U1-5321-7	5, 11, 13, 17, 21, 23, 33, 46 53	68-15997-00	21	69NT35-2692-1	29, 33, 39, 41, 45
		68-15998-00	21		
66U1-5321-8	17, 26, 33, 37 46, 47, 50, 53	68-16521-00	5	69NT35-2692-4	50
		68-16695-00	5	69NT35-3452	29
66U1-5331-4	27	68-16696-00	45	69NT35-3452-1	29
66U1-5361	29	68-16697-00	5	69NT35-6112	29
66U1-5361-11	17	68-16715-00	43	69NT35-636-1	51
66U1-5361-25	5, 17, 23, 29 31, 43, 45	68-16767-00	45	69NT35-8258	13
		68-16823-00	27	69NT35-9073-1	53
66U1-5361-7	23	68-16864-00	26	69NT43-295	41
66U1-5362-2	7				

# PART NUMBER INDEX

## 7

76-00816-00	19, 20
76-00866-00	20
76-00866-01	19
76-66615-00	7
79-01697-06SV	8
79-04018-08	37
79-04045-00	9
79-04046-00	37
79-04047-00	37
79-04049-01	26
79-04051-01	21
79-04055-01	26
79-04070-00	20
79-66626-00	7
79-66669-00	37
79-66703-00	7

## 8

81-04186-20	43
81-04202-00	27
81-04203-20	23
81-04212-01	21
81-04226-00	19
81-04230-00	20
86-04956-00	39
86-04987-02	37
86-04994-00	27
86-05003-01	11
86-05052-00	20
86-05054-00	20

## 9

91-00435-00	57
99TS0322CK001400	27
99TS0835CK002000	27







A member of the United Technologies Corporation family.  
Stock symbol UTX



**United  
Technologies**

Climate | Controls | Security

Carrier Transicold Division,  
Carrier Corporation  
P.O. Box 4805  
Syracuse, N.Y. 13221 U.S.A

[www.carrier.transicold.com](http://www.carrier.transicold.com)