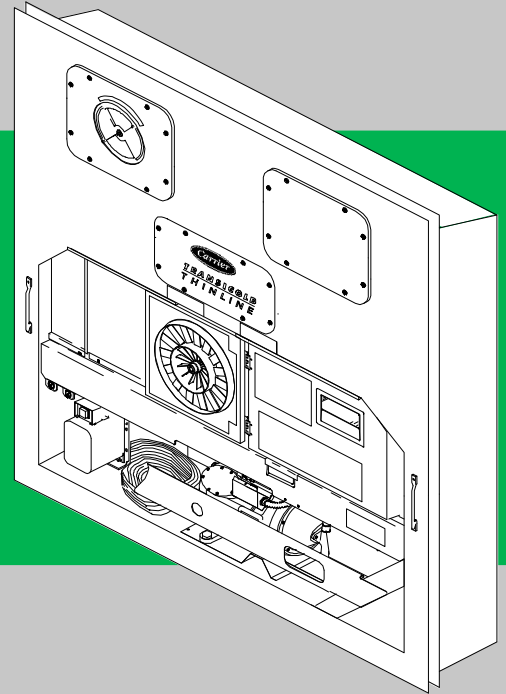
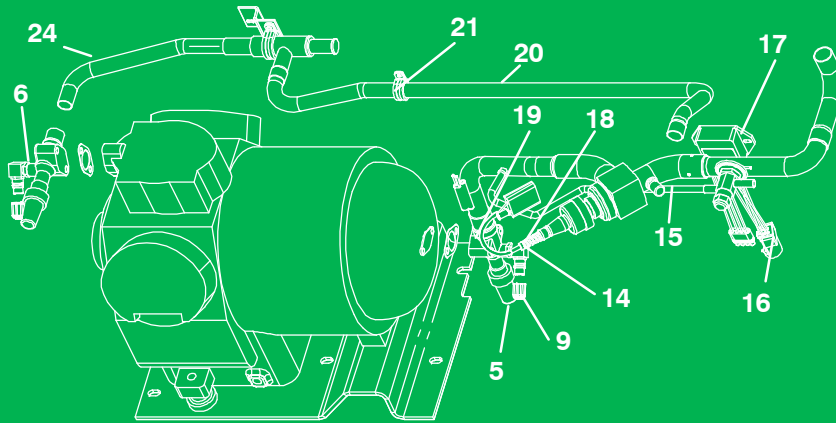




# Container Refrigeration



## SERVICE PARTS LIST for **69NT40-511-300 to 399** (excluding -310, -344 & -359) Container Refrigeration Units



**TRANSICOLD**

---

**SERVICE PARTS LIST  
CONTAINER REFRIGERATION UNIT**

**MODELS**

**69NT40-511-300 to 399**

(excluding -310, -344 & -359)

## TABLE OF CONTENTS

INTRODUCTION .....	iii
CONFIGURATION IDENTIFICATION .....	iii
OPTION DESCRIPTIONS .....	iv
1. QUICK LIST – Clamps, Filter-Drier, Fuses, Ty-Raps, and Wire Terminals .....	1
2. REFRIGERATION UNIT ASSEMBLY .....	2
2.1 Refrigeration Unit – Area Locator .....	2
2.2 Rain Gutters .....	4
2.3 Handles .....	4
2.4 Thermometer Port .....	5
2.5 Control Box Door .....	6
2.6 Control Box .....	8
2.7 Control Box – Standard Electrical Components, Remote Monitoring and Hourmeter .....	10
2.8 Control Box – Evaporator Fan Capability, EBS and EDS, EBS Only and Cond. Fan Switch ..	12
2.9 Control Box – Controller Module Section and Software Cards .....	14
2.10 Control Box – Display Module and Communications Interface Module Section .....	16
2.11 Condenser Fan Motor and Coil, and Bolted or Hinged Grille Section .....	18
2.12 Condenser Fan Grille Section .....	20
2.13 Compressor Tubing Section .....	22
2.14 Receiver Section .....	24
2.15 Water-Cooled Condenser .....	26
2.16 STS and SRS Section .....	28
2.17 Thermostatic Expansion Valve (TXV), Alco or Hermetic .....	29
2.18 Upper Fresh Air Makeup and Access Panels .....	30
2.19 Lower Fresh Air Makeup Vent .....	32
2.20 Evaporator Fan Assembly and Transfresh .....	34
2.21 Evaporator Coil Section .....	36
2.22 USDA Option, Probe Kits .....	38
2.23 Back Panel Assembly – Aluminum Bolted .....	40
2.24 Back Panel Assembly – Aluminum Bolted with USDA Door .....	42
2.25 Back Panel Assembly – Aluminum Bolted with Probe Access Door .....	44
2.26 Back Panel Assembly – Aluminum Hinged .....	46
2.27 Back Panel Assembly – Stainless Steel Hinged .....	48
2.28 Partlow Temperature Recorder .....	50
2.29 Saginomiya Temperature Recorder .....	52
2.30 Electronic Partlow Temperature Recorder .....	54
2.31 Temperature Recorder – None .....	54
2.32 Compressor Mounting, Guards, Crankcase Heater and Drain Line Heater Components .....	56
2.33 Compressor Gauges and Transducers .....	58
2.34 Cable Restraint Components (Bungy Cords and J-Hooks) .....	60
2.35 Voltage Cables (460V and 230V) .....	62

## TABLE OF CONTENTS (Continued)

2.36	Autotransformer (With and Without CB2 and Transformer Bridge Unit) .....	64
2.37	Labels and Decals .....	66
3.	INTERROGATOR AND ACCESSORIES .....	68
3.1	Datareader .....	68
3.2	Interrogator Receptacle .....	70
4.	COMPRESSOR - MOTOR ASSEMBLY .....	72
4.1	Service Replacement Compressor .....	73
4.2	Terminal Mounting and Junction Box Group .....	73
4.3	Service Valve group .....	73
4.4	Compressor - Motor Body Group .....	73
4.5	Pump End Group .....	74
4.6	Crankshaft, Rod and Piston Group .....	74
4.7	Valve Plate Group .....	74
4.8	Gasket Set .....	74
5.	CONTROLLER/DATACORDER .....	76
5.1	Controller/DataCorder Configuration .....	76
6.	TOOLS .....	77
	PART NUMBER INDEX .....	Index 1

# INTRODUCTION

## 1 INTRODUCTION

The Carrier Transicold model 69NT40-511-300 series units are of lightweight aluminum frame construction, designed to fit in the front of a container and serve as the container front wall.

## 2 CONFIGURATION IDENTIFICATION

Unit identification information is provided on a plate located near the compressor. The plate provides the unit model number, the unit serial number and the unit parts identification number (PID). The model number identifies the overall unit configuration while the PID provides information on specific optional equipment, factory provision to allow for field installation of optional equipment and differences in detailed parts.

Configuration identification for the models covered herein are provided in the Carrier Transicold Container Unit Identification Matrix through [www.container.carrier.com](http://www.container.carrier.com).

## 3 OPTION DESCRIPTIONS

Various options may be factory or field fitted to the base unit. These options are listed in the tables and described in the following subparagraphs.

### 3.1 Battery

The refrigeration controller may be fitted with standard replaceable batteries or rechargeable battery pack.

### 3.2 Dehumidification

The unit may be fitted with a humidity sensor. This sensor allows setting of a humidity set point in the controller. In the dehumidification mode the controller will operate to reduce internal container moisture level.

### 3.3 Control Box

The control box may be of aluminum or composite material and each type box may be fitted with a lockable door.

### 3.4 Display Module

The unit may be fitted with a backlit Liquid Crystal Display (LCD) or a Light Emitting Diode (LED) Display.

### 3.5 Temperature Readout

The unit may be fitted with suction and discharge temperature sensors. The sensor readings may be viewed on the controller display.

### 3.6 Pressure Readout

The unit may be fitted with suction and discharge pressure gauges or suction and discharge transducers or no pressure readout. The transducer readings may be viewed on the controller display.

### 3.7 USDA

The unit may be supplied with fittings for additional temperature probes which allow recording of USDA Cold Treatment data by the integral DataCORDER function of the Micro-Link refrigeration controller.

### 3.8 Interrogator

Units that use the DataCORDER function are fitted with interrogator receptacles for connection of equipment to download the recorded data. Two receptacles may be fitted, one accessible from the front of the container and the other mounted inside the container (with the USDA receptacles).

### 3.9 Remote Monitoring

The unit may be fitted with a remote monitoring receptacle. This item allows connection of remote indicators for COOL, DEFROST and IN RANGE. Unless otherwise indicated, the receptacle is mounted at the control box location

### 3.10 Communications

The unit may be fitted with a communications interface module. The communications interface module is a slave module which allows communication with a master central monitoring station. The module will respond to communication and return information over the main power line. Refer to the ship master system technical manual for further information.

### 3.11 Compressor

The unit is fitted with a single speed reciprocating compressor.

### 3.12 Condenser Coil

The unit may be fitted with a 2 row or 4 row coil using nominal 3/8 inch tubing, or the unit may be fitted with a 3 row coil using 7mm tubing. The required refrigerant charge is different for each coil.

### 3.13 Autotransformer

An autotransformer may be provided to allow operation on 190/230, 3phase, 50/60 hertz power. The autotransformer raises the supply voltage to the nominal 380/460 volt power required by the base unit. The autotransformer may also be fitted with an individual circuit breaker for the 230 volt power.

If the unit is fitted with an autotransformer and communications module, the autotransformer will be fitted with a transformer bridge unit (TBU) to assist in communications.

### 3.14 Temperature Recorder

One of three temperature recording devices may be fitted to the unit. The devices include a mechanical recorder manufactured by Partlow Corporation, a mechanical recorder manufactured by Saginomiya Corporation, and an electronic recorder manufactured by Partlow Corporation.

### 3.15 Gutters

Rain gutters may be fitted over the control box and recorder section to divert rain away from the controls. The different gutters include standard length bolted gutters, extended length gutters and riveted gutters.

### 3.16 Handles

The unit may be fitted with handles to facilitate access to stacked containers. These handles may include fixed handles (located at the sides of the unit) and/or a hinged handle at the center (attached to the condenser coil cover).

### 3.17 Thermometer Port

The unit may be fitted with ports in the front of the frame for insertion of a thermometer to measure supply and/or return air temperature. If fitted, the port(s) will require a cap and chain.

### 3.18 Water Cooling

The refrigeration system may be fitted with a water cooled condenser. The condenser is constructed using copper-nickel tube for sea water applications. The water cooled condenser is in series with the air cooled condenser and replaces the standard unit receiver. When operating on the water cooled condenser, the condenser fan is deactivated by either a water pressure switch or condenser fan switch.

### 3.19 Back Panels

Back panel designs that may be fitted include panels of aluminum and stainless steel. Panels may be fitted with access doors and/or hinge mounting.

### 3.20 460 Volt Cable

Various power cable and plug designs are available for the main 460 volt supply. The plug options tailor the cables to each customer's requirements.

### 3.21 230 Volt Cable

Units equipped with an autotransformer require an additional power cable for connection to the 230 volt source. Various power cable and plug designs are available. The plug options tailor the cables to each customer's requirements.

### 3.22 Cable Restraint

Various designs are available for storage of the power cables. These options are variations of the compressor section front cover.

### 3.23 Upper Air (Fresh Air Make Up)

The unit may be fitted with an upper fresh air makeup assembly. The fresh air makeup assembly is available with a Vent Positioning Sensor (VPS) and may also be fitted with screens.

### 3.24 Lower Air (Fresh Air Make Up)

The unit may be fitted with a lower fresh air makeup assembly. These assemblies are supplied in two designs, the standard design and the macro design. The openings may also be fitted with screens.

### 3.25 Controlled Atmosphere

The units may be fitted with the TransFresh option.

For information on the TransFresh system, contact TransFresh Corporation, P.O. Box 1788, Salinas CA 93902

### 3.26 Arctic Mode

To improve operation in cold ambients, the unit may be fitted with a crankcase heater and/or a condensate drain line heater. The crankcase heater is operated, before start-up, to warm the compressor oil and boil off any liquid refrigerant that may be present in the crankcase. The drain line heater is operated to prevent freezing of the evaporator condensate drain system.

### 3.27 Humidification

The unit may be equipped with the Carrier Transicold NatureFresh humidity management system. The system includes a water tank, water pump, water heater and atomizer along with various control and monitoring devices. It is designed to add additional moisture into the supply air for control of cargo moisture level. A separately bound manual covering operation and parts for the CTD NatureFresh System is available, see the following chart.

Manual Number	Equipment Covered	Type of Manual
T-297	Humidity Management System Option	Technical Supplement

### 3.28 Power Correction

The unit may be fitted with a set of power factor correction capacitors to assist in correction of imbalance in current draw by the compressor.

### 3.29 Evaporator

Evaporator section options include a semi-hermetic thermal expansion valve, a hermetic thermal expansion valve and two sizes of heat exchangers.

### 3.30 Evaporator Fan Operation

Two evaporator fan motor operation systems are available. On units with Normal Evaporator Fan Operation, opening of an evaporator fan internal protector will shut down the unit. On units equipped with Single Evaporator Fan Capability, additional contactors are installed to allow the unit to continue to operate on a single fan.

### 3.31 Labels

Operating Instruction and Function Code listing labels will differ depending on the options installed. For example, additional operating instructions are required to describe start-up of a unit equipped with an autotransformer. Where the labels are available with additional languages, they are listed in the parts list.

### **3.32 Plate Set**

Each unit is equipped with a tethered set of wiring schematic and wiring diagram plates.

### **3.33 Controller**

Replacement controllers may be ordered as a universal un-configured controller (without configuration software) or configured.

### **3.34 Stepper Drive**

All the units covered by this manual have suction modulating valves which act to control system capacity. Units indicated as being fitted with “stepper drive” have digital control motors fitted to the suction modulating valve to open and close the valve in steps as required.

### **3.35 Condenser Grille**

Two styles of condenser grilles are available, direct bolted grilles and hinged grilles.

### **3.36 Emergency Bypass**

The unit may be equipped with switches to allow emergency bypass of the controller. The EMERGENCY BYPASS switch functions to bypass the controller in the event of controller failure. The EMERGENCY DEFROST switch functions to bypass the all controls and place the unit in the defrost mode.

# OPTION LEGEND

General	
-	Feature Not Applicable
X	Features that apply to model
P	Factory Installation of Equipment to Allow Field Installation
Arctic Mode Codes	
C	Crankcase Heater
L	Drainline Heater
B	Both Crankcase Heater & Drainline Heater
AutoTransformer Codes	
1	Transformer Fitted
2	Transformer With CB2 Fitted
3	Transformer With CB2 and Receptacle
4	Transformer With CB2 and Transformer Bridging Unit
Back Panel Codes	
1	Bolted Panels
2	Bolted Panels With USDA Door
3	Bolted Panels With Probe Access Door
4	Hinged Panels
5	Hinged Stainless Steel Panels
Battery Codes	
S	Standard (throw away) Cell
R	Rechargeable Cells
Cable Restraint Codes	
1	Cable Door
2	Left Bungy Cord Only
3	J-Hook
4	Left and Right Bungy Cord
5	Left Bungy Cord With Left Extended Guard
6	Left & Right Bungy Cords With Extended Guards
Communications Codes	
1	Standard
Compressor Codes	
1R	Single Speed Reciprocating
Condenser Fan Grille Codes	
B	Bolted Grille
H	Hinged Grille
Condenser/Receiver Codes	
2	Two Row Coil
3	Three Row (7mm) Coil
4	Four Row (3/8") Coil

Control Box Codes	
A	Aluminum Box without Door Lock
AL	Aluminum Box with Door Lock
C	Composite Box without Door Lock
CL	Composite Box With Door Lock
Controlled Atmosphere	
1	TransFresh
2	Carrier Transicold Everfresh System
Display Module Codes	
1	LCD Display
2	LED Display
Emergency Bypass Codes	
B	Emergency Bypass & Emergency Defrost
EB	Emergency Bypass Only
Evaporator Codes	
1	Original Coil with Semi-Hermetic TXV & Standard Heat Exchanger
2	Coil With Hermetic TXV & Standard Heat Exchanger (4 Heaters)
3	Coil With Hermetic TXV & Large Heat Exchanger (4 Heaters)
5	Coil With Hermetic TXV & Standard Heat Exchanger (6 Heaters)
Evaporator Fan Codes	
1	Normal Evaporator Fan Operation
2	Single Evaporator Fan Operation Capability
Gutter Codes	
1	Standard Length Bolted Gutters
3	Extended Length Gutters
4	Riveted Gutters
Handle Codes	
1	Two Side and One Center
2	Two Side
3	One Center
Interrogator Codes	
1	Left Straight Mount
3	Box Mount
4	Left Mount
5	Left Angled Mount
Lower Air Codes	
1	No Lower Fresh Air
2	Lower Fresh Air Installed
3	Lower Fresh Air With Screen Installed



Label Codes	
1	English
2	English / Spanish
3	English / French
4	English / Korean
5	English / Traditional Chinese
6	English / Simplified Chinese
7	English / Japanese / Chinese
Pressure Readout Codes	
G	Factory Installed Pressure Gauges
T	Factory Installed Pressure Transducers
SG	Factory Installed Suction Pressure Gauge
4	Low Data Rate
Thermometer Port Codes	
1	Supply Air Port
2	Return Air Port
B	Both Ports
Temperature Recorder Codes	
1	Partlow Without Probe
2	Partlow With Probe
3	Battery Operated Partlow Without Probe
4	Battery Operated Partlow With Probe
5	Saginomiya Without Probe
6	Saginomiya With Probe
7	Standard Electronic Partlow
8	Special Electronic Partlow
9	No Temperature Recorder
Water Cooling Codes	
W	Water Pressure Switch
F	Condenser Fan Switch
Upper Air Codes	
1	No Upper Fresh Air
2	Upper Fresh Air Installed
3	Upper Fresh Air Installed With Screen
4	Upper Air Installed with VPS

## Ordering Instructions

All orders and inquiries for parts must include: Parts Identification Number (**PID**), Model Number, Unit Serial Number, Part Number, Description of part as shown on list and Quantity required. Address all correspondence for parts to the following address:

CARRIER TRANSICOLD DIVISION  
Replacement Components Group, TR-20  
P.O. Box 4805, Syracuse, New York 13221  
or FAX to: (315) 432-3778

USDA/Cable Codes	
D/-	Option D Only
V/-	Option V Only
D/1	Option V/Option 1
V/1	Option V/Option 1
D/2	Option V/Option 2
V/2	Option V/Option 2
2	High Data Rate
3	Chipset Modem
460 Volt Cable Codes	
1	Option 1
2	Option 2
3	Option 3
4	Option 4
5	Option 5
6	Option 6
7	Option 7
8	Option 8
9	Option 9
10	Option 10
230 Volt Cable Codes	
1	Option 1
2	Option 2
3	Option 3
4	Option 4
5	Option 5
6	Option 6
7	Option 7
8	Option 8
9	Option 9

## Letter Designations

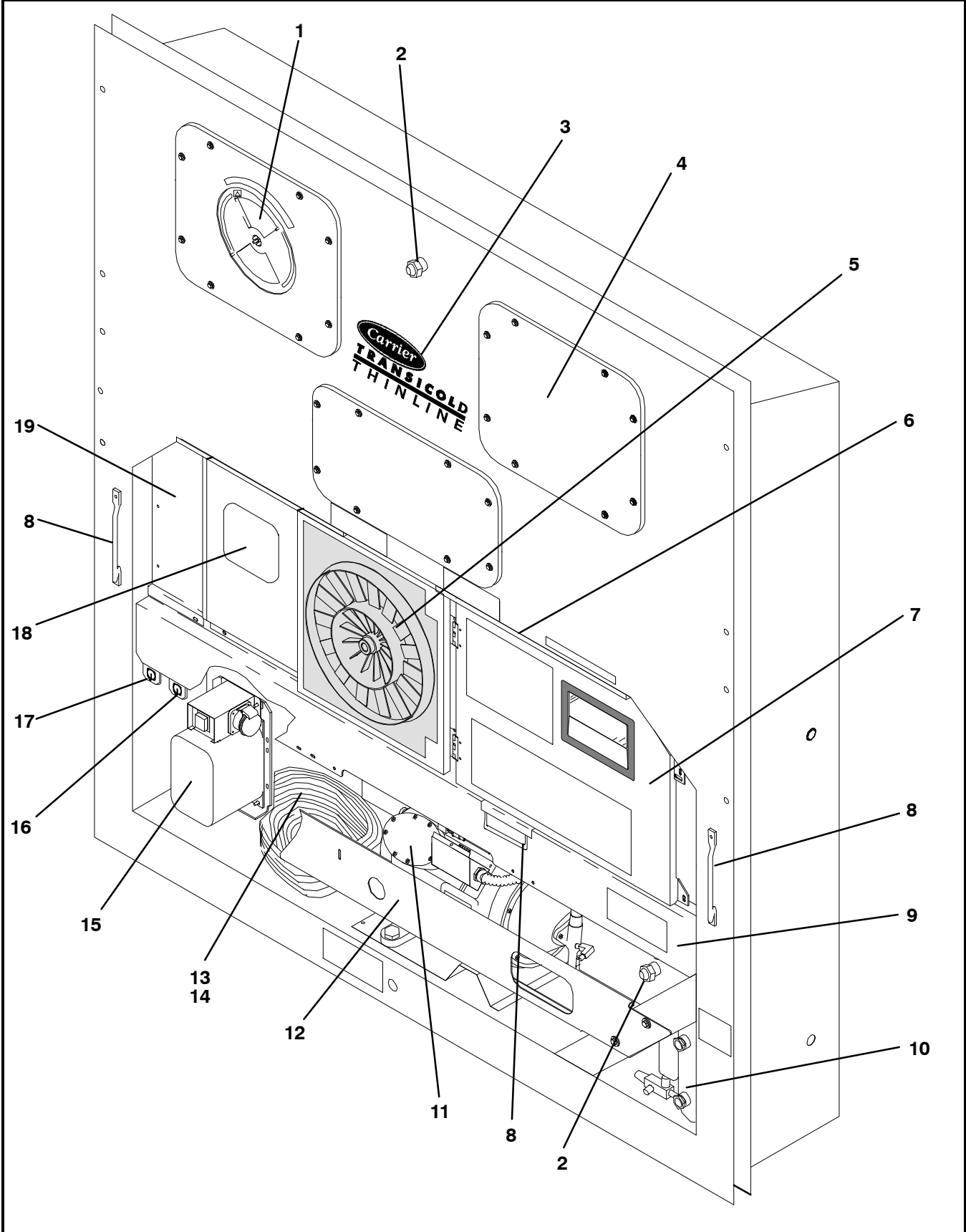
The following letter designations are used to classify parts throughout this list:

A/R	=	<i>As Required</i>
N/A	=	<i>Not Available</i>
NS	=	<i>Not shown in illustration</i>
NSS	=	<i>Not sold separately</i> - Order next higher assembly or kit
PID	=	<i>Parts Identification Number</i> - essential to identify unit configuration.
PL	=	<i>Purchase Locally</i>
SST	=	<i>Stainless Steel</i> - 300 Series unless otherwise specified.
SV	=	<i>Suffix SV</i> - added to part number designates service replacement part.

**1 QUICK LIST - CLAMPS, FILTER-DRIER, FUSE, TY-RAPS, WIRE TERMINALS AND REPLACEMENT UNIT FRAMES**

<b>PART NO.</b>	<b>DESCRIPTION</b>
34-00373-51	Clamp, Tube, 1/4 - SST
34-00373-53	Clamp, Tube, 3/8 - SST
34-00373-05	Clamp, Tube, 1/2 - SST
34-00373-07	Clamp, Tube, 5/8 - SST
34-00373-59	Clamp, Tube, 3/4 - SST
34-00373-11	Clamp, Tube, 7/8 - SST
34-00373-65	Clamp, Tube, 1-1/8 - SST
34-00373-88	Clamp, Tube, 1-1/4 - SST
34-00373-69	Clamp, Tube, 1-3/8 - SST
34-00373-71	Clamp, Tube, 1-1/2 - SST
22-00066-01	Connector, Butt End, Wire Range - 22 to 16 AWG
22-00066-02	Connector, Butt End, Wire Range - 16 to 14 AWG
22-00066-03	Connector, Butt End, Wire Range - 12 to 10 AWG
22-00041-00	Connector, Closed End, Wire Range - 22 to 14 AWG
22-00041-02	Connector, Closed End, Wire Range - 18 to 10 AWG
14-00311-02SV	Filter-Drier
22-02336-02	Fuse, 5 Amp (F1 & F2)
22-02336-04	Fuse, 10 Amp (F3)
22-01140-01	Ring Terminal, #6, Wire Range - 12 to 10 AWG
22-01140-02	Ring Terminal, #10, Wire Range - 12 to 10 AWG
22-01140-04	Ring Terminal, 3/8, Wire Range - 12 to 10 AWG
22-00119-04	Ring Terminal, 1/4, Wire Range - 12 to 10 AWG
22-00120-04	Ring Terminal, #10, Wire Range - 16 to 14 AWG
22-00120-07	Ring Terminal, 5/16, Wire Range - 16 to 14 AWG
22-00121-07	Ring Terminal, #10, Wire Range - 22 to 16 AWG
22-01139-04	Ring Terminal, 3/8, Wire Range - 16 to 14 AWG
22-01141-01	Spade Terminal, 1/4 x 5/16, Wire Range - 16 to 14 AWG
22-00595-01	Spade Terminal, 3/8, Wire Range - 12 to 10 AWG
22-01106-00	Spiral Wrap, 1/4 Diameter x 25 ft. lg.
22-01107-00	Spiral Wrap, 1/2 Diameter x 25 ft. lg.
66U1-3803	Tube, Heat Shrink, 1/4 ID x 2-1/8 lg.
66U1-3803-1	Tube, Heat Shrink, 1/2 ID x 2-3/4 lg.
44-01043-05	Ty-Raps, 5-1/2 inches lg.
44-01043-07	Ty-Raps, 11.00 inches lg.
22-50007 Series	Wire Markers
07-00345-00	Sealant, Pipe (Used to seal fittings on unit with R-134a)
07-00313-00	Cleaner, Coil
76-00397-00	Paint, Compressor Touch-Up, Blue
69NT-43-468	Unit Frame, Service Replacement
69NT-43-468-1	<b>Contact Carrier Replacement Components Group for application</b>

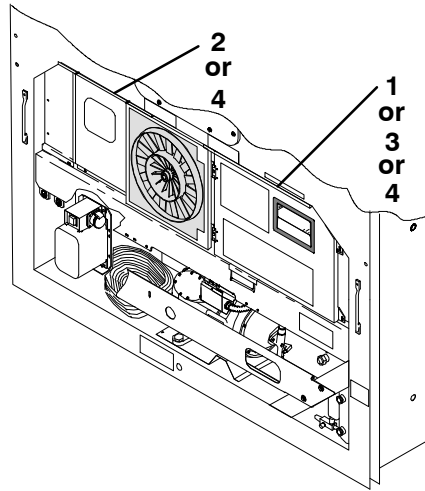
**2 REFRIGERATION UNIT ASSEMBLY**  
**2.1 REFRIGERATION UNIT - AREA LOCATOR**



**2.1 REFRIGERATION UNIT - AREA LOCATOR**

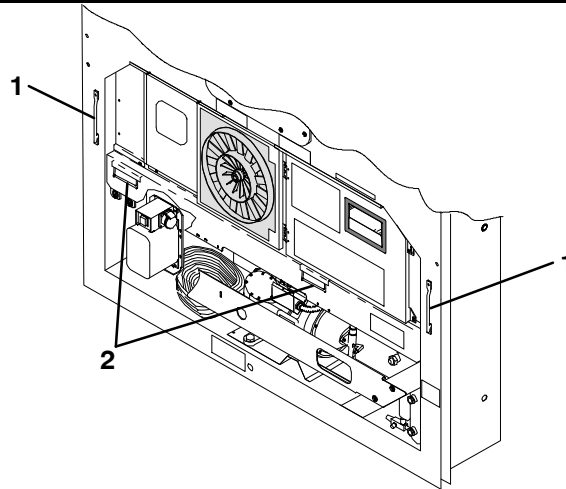
<b>Item</b>	<b>Section Number</b>	<b>Area Description</b>
1	Refer to Section 2.18	Upper Fresh Air Makeup & Access Panels
2	Refer to Section 2.4	Thermometer Port
3	Refer to Section 2.37	Labels and Decals
4	Refer to Section 2.20	Evaporator Fan Assembly
5	Refer to Section 2.11	Motor, Condenser Fan
6	Refer to Section 2.2	Rain Gutters
7	Refer to Section 2.5 - 2.10	Box, Control
8	Refer to Section 2.3	Handles
9	Refer to Section 2.11	Coil, Condenser
10	Refer to Section 2.14 or 2.15	Receiver or Water-Cooled Condenser
11	Refer to Sections 2.32 or 4	Compressor
12	Refer to Section 2.32	Guard, Compressor
13	Refer to Section 2.35	Cable, Power
14	Refer to Section 2.35	Plug, Power
15	Refer to Section 2.36	Autotransformer
16	Refer to Section 2.20	Transfresh
17	Refer to Section 3	Interrogator and Accessories
18	Refer to Section 2.28 - 2.31	Temperature Recorder
19	Refer to Section 2.19	Lower Fresh Air Makeup

## 2.2 RAIN GUTTERS



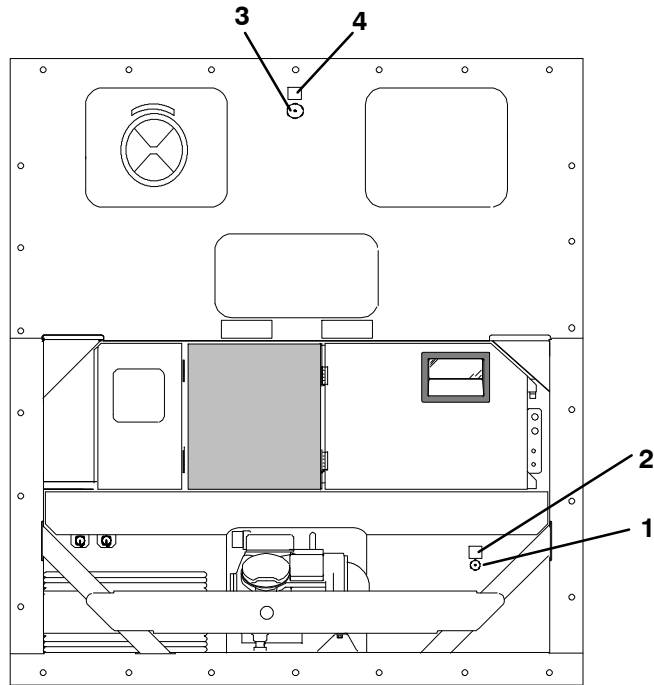
Item	Part Number	Description	Qty
<b>OPTION 1 - STANDARD LENGTH - BOLTED</b>			
1	69NT35-3987	Gutter, Rain (Bolted, Standard - Right Side)	1
2	69NT35-3997-1	Gutter, Rain (Bolted, Standard & Extended Length - Left Side)	1
<b>OPTION 3 - EXTENDED LENGTH - BOLTED</b>			
2	69NT35-3997-1	Gutter, Rain (Bolted, Standard & Extended Length - Left Side)	1
3	69NT35-8548	Gutter, Rain (Bolted - Right Side)	1
<b>OPTION 4 - RIVETED</b>			
4	68-12417-00	Gutter, Rain (Riveted - Right and Left Side)	2

## 2.3 HANDLES



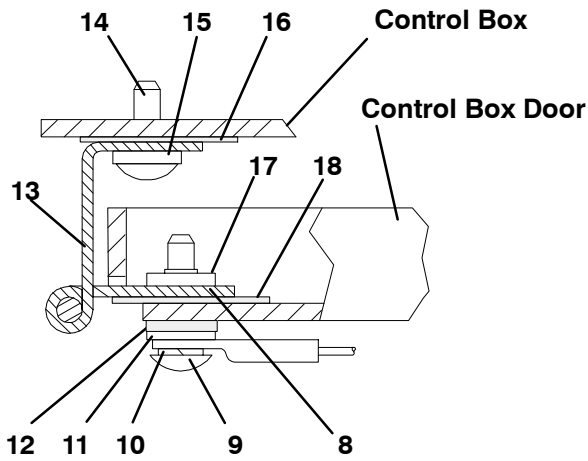
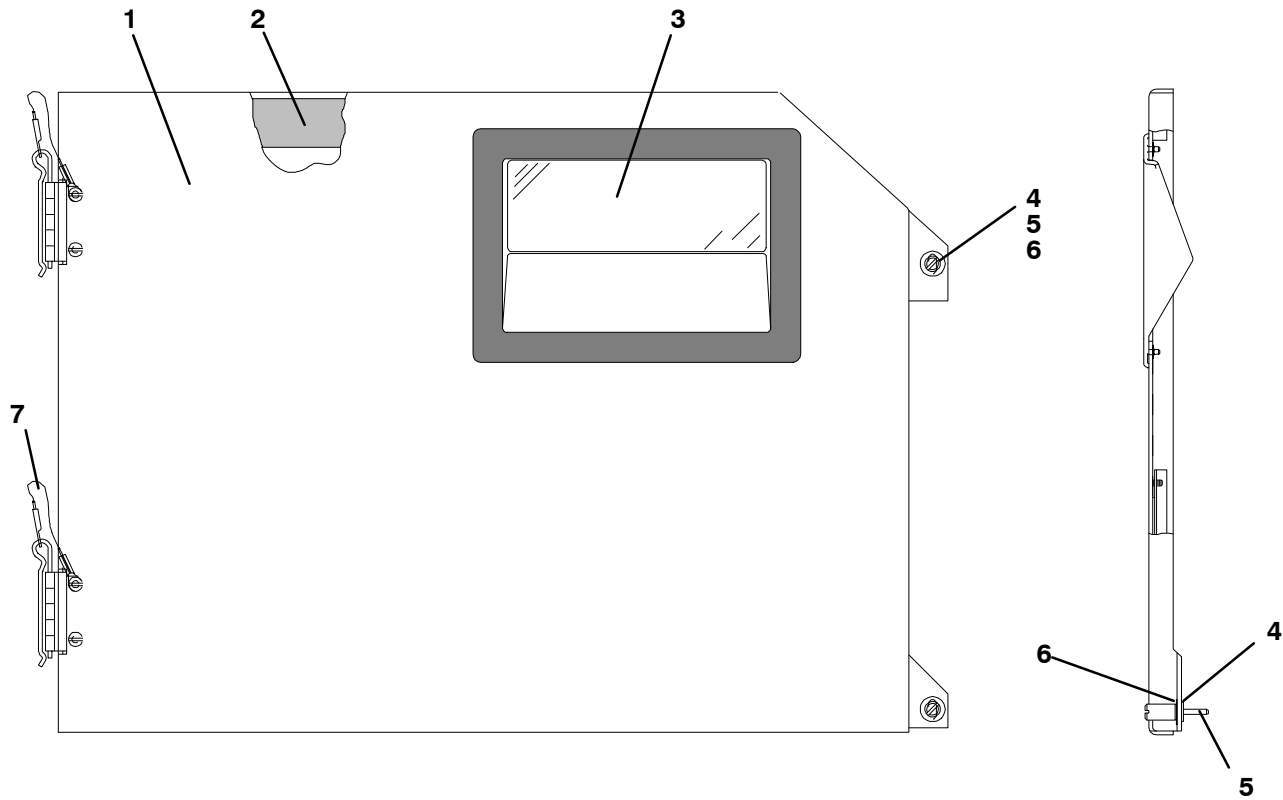
Item	Part Number	Description	Qty
<b>OPTION 1 - TWO SIDE, ONE CENTER</b>			
1	69NT35-8113	Handle, Fixed	2
2	69NT40-657-2	Handle, Hinged	1
<b>OPTION 2 - TWO SIDE</b>			
1	69NT35-8113	Handle, Fixed	2
<b>OPTION 3 - ONE CENTER</b>			
2	69NT40-657-2	Handle, Hinged	1

## 2.4 THERMOMETER PORT

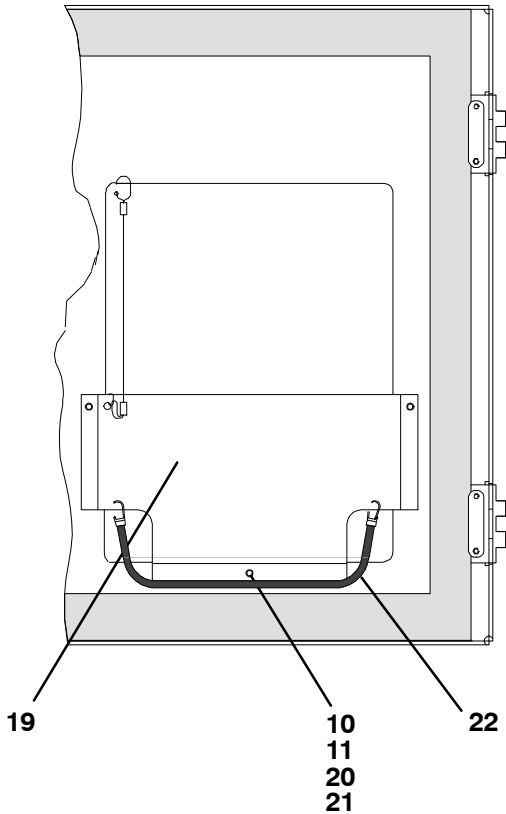


Item	Part Number	Description	Qty
<b>OPTION 1 - SUPPLY AIR PORT</b>			
1	66U1-8662	Cap & Chain Assembly	1
2	62-10557-00	Label	1
<b>OPTION 2 - RETURN AIR PORT</b>			
3	66U1-8662	Cap & Chain Assembly	1
4	62-10557-00	Label	1
<b>OPTION B - SUPPLY AND RETURN PORTS</b>			
1 & 3	66U1-8662	Cap & Chain Assembly	2
2 & 4	62-10557-00	Label	2

**2.5 CONTROL BOX DOOR**



**HINGE ASSEMBLY - SECTIONAL VIEW**



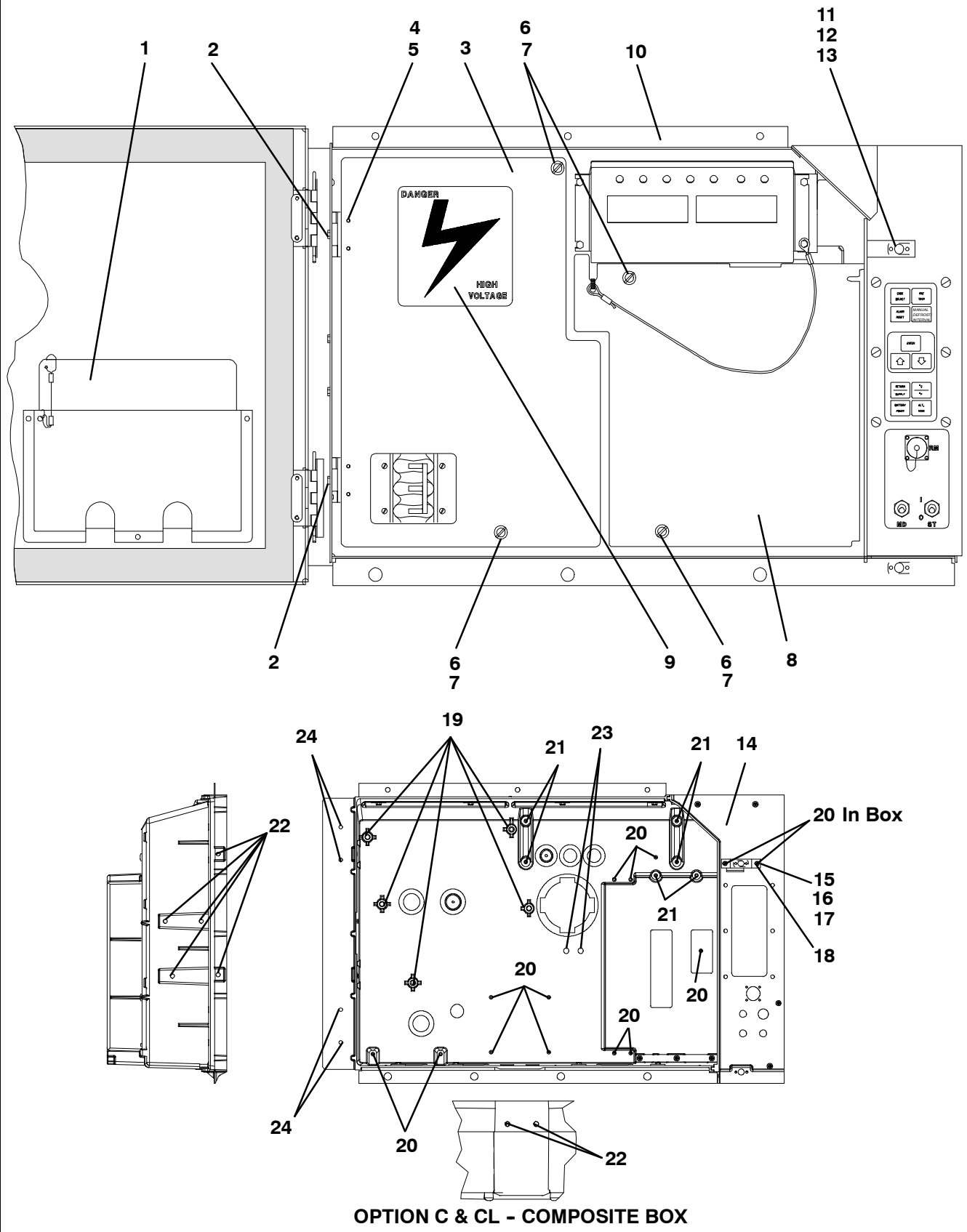
**DOOR ASSEMBLY - PARTIAL BACK VIEW**

**2.5 CONTROL BOX DOOR (Continued)**

Item	Part Number	Description	Qty
<b>OPTION 1 - LCD DISPLAY</b>			
1	69NT42-688-7	<b>Door Assembly, LCD Display, Includes:</b>	1
2	42-00270-02	Gasket, Door	1
3	58-04366-00SV	Window and Gasket Assembly, Control Box Door - Lexan	1
4	34-06169-00	Washer, Retaining - SST	2
5	66U1-6811-8	Screw, Retaining, Panel, 0.300-0.625 - SST	2
	66U1-6811-15	Screw, Retaining, Wing, 0.300-0.625 - SST	2
6	34-06053-00	Washer, Mylar, 0.250 ID x 0.800 OD	4
7	44-00300-03	Pin Assembly, with Tether	1
8	44-00300-01	Hinge, Half	1
9	66U1-2403-1	Screw, Truss Head, #10-24 x 3/4 lg. - SST	4
10	66U1-5331-3	Washer, Lock, #10 - SST	7
11	66U1-5321-8	Washer, Flat, #10 - SST	7
12	34-06053-05	Washer, Mylar, 0.205 ID x 0.600 OD	4
13	44-00300-02	Hinge, Half	1
14	66U1-5371-7	Screw, #10-24 x 1/2 lg. - SST	4
15	66U1-5321-8	Washer, Flat, #10 - SST	4
16	58-04101-01	Protector, Mylar (Hinge) (Not Needed with Composite Box)	2
17	34-01167-01	Retainer, Nut	2
18	58-04101-00	Protector, Mylar (Hinge)	2
19	68-13577-00	Pocket, Placard	1
20	34-00665-09	Locknut, Hex Head, #10-24 - SST	3
21	34-06107-00	Rivet, Blind, 1/8 Diameter, Grip Range - 0.188-0.250	3
22	58-04346-00	Door Strap Kit	1
<b>OPTION 2 - LED DISPLAY</b>			
1	79-01911-00	<b>Door Assembly, LED Display, Includes:</b>	1
2	42-00270-02	Gasket, Door	1
3	69NT35-5022-6	Window	1
	42-00611-00	Foam, Double Coated	1
4	34-06169-00	Washer, Retaining - SST	2
5	66U1-6811-8	Screw, Retaining, Panel, 0.300-0.625 - SST	2
	66U1-6811-15	Screw, Retaining, Wing, 0.300-0.625 - SST	2
8	44-00300-01	Hinge, Half	1
7	44-00300-03	Pin Assembly, with Tether	1
9	66U1-2403-1	Screw, Truss Head, #10-24 x 3/4 lg. - SST	4
10	34-00663-09	Washer, Lock, #10 - SST	4
11	66U1-5321-8	Washer, Flat, #10 - SST	4
12	34-06053-05	Washer, Mylar, 0.205 ID x 0.600 OD	4
13	44-00300-02	Hinge, Half	1
15	66U1-5321-8	Washer, Flat, #10 - SST	4
17	34-01167-01	Retainer, Nut	2
19	58-04389-00	Pocket, Placard	1
20	34-00795-09	Locknut, Hex Head, #10-24 - SST	6
21	34-06107-00	Rivet, Blind, 1/8 Diameter, Grip Range - 0.188-0.250	3



## 2.6 CONTROL BOX



**2.6 CONTROL BOX (Continued)**

Item	Part Number	Description	Qty
1	-	Plate, Schematic & Diagram <b>(Refer to T-300, Container Unit Matrix)</b>	1
2	66U1-2403	Screw, Truss Head, #10-24 x 1/2 lg. - SST	2
3	69NT43-125-1	Shield, High Voltage (Plastic) - Includes:	1
4	44-00343-00	Hinge	2
5	34-00928-02	Rivet, Blind, 1/8 Diameter, Grip Range - 1/8-3/16 - SST	4
6	34-50015-00	Stud & Retainer Package - Includes:	4
NS	NSS	Stud, Fastener	1
NS	NSS	Retainer, Fastener Stud	1
7	34-06139-03	Receptacle	4
8	69NT43-124-4SV	Shield, Low Voltage (Lexan) - With Tether	1
9	62-03957-02	Label, Danger-High Voltage	1

**OPTION A & AL - ALUMINUM CONTROL BOX**

10	58-04668-21	Control Box, Replacement for Standard Aluminum	1
11	68-12791-00	Bracket, Lock <b>(See Note 1)</b>	1
12	34-01142-01	Receptacle, Retaining	1
	34-01152-02	Receptacle, Retaining <b>(See Note 2)</b>	1
13	34-00928-01	Rivet, Blind, 1/8 Diameter, Grip Range - 1/16 - 1/8	2
	34-00928-03	Rivet, Blind, 1/8 Diameter, Grip Range - 3/16 - 1/4 <b>(See Note 2)</b>	2

**NOTES**

1. The bracket is welded to the control box - order Item #11 for locking plate.
2. When Item #11 is used, 34-01152-02 and rivets, 34-00928-03 are to be used in the upper door location.

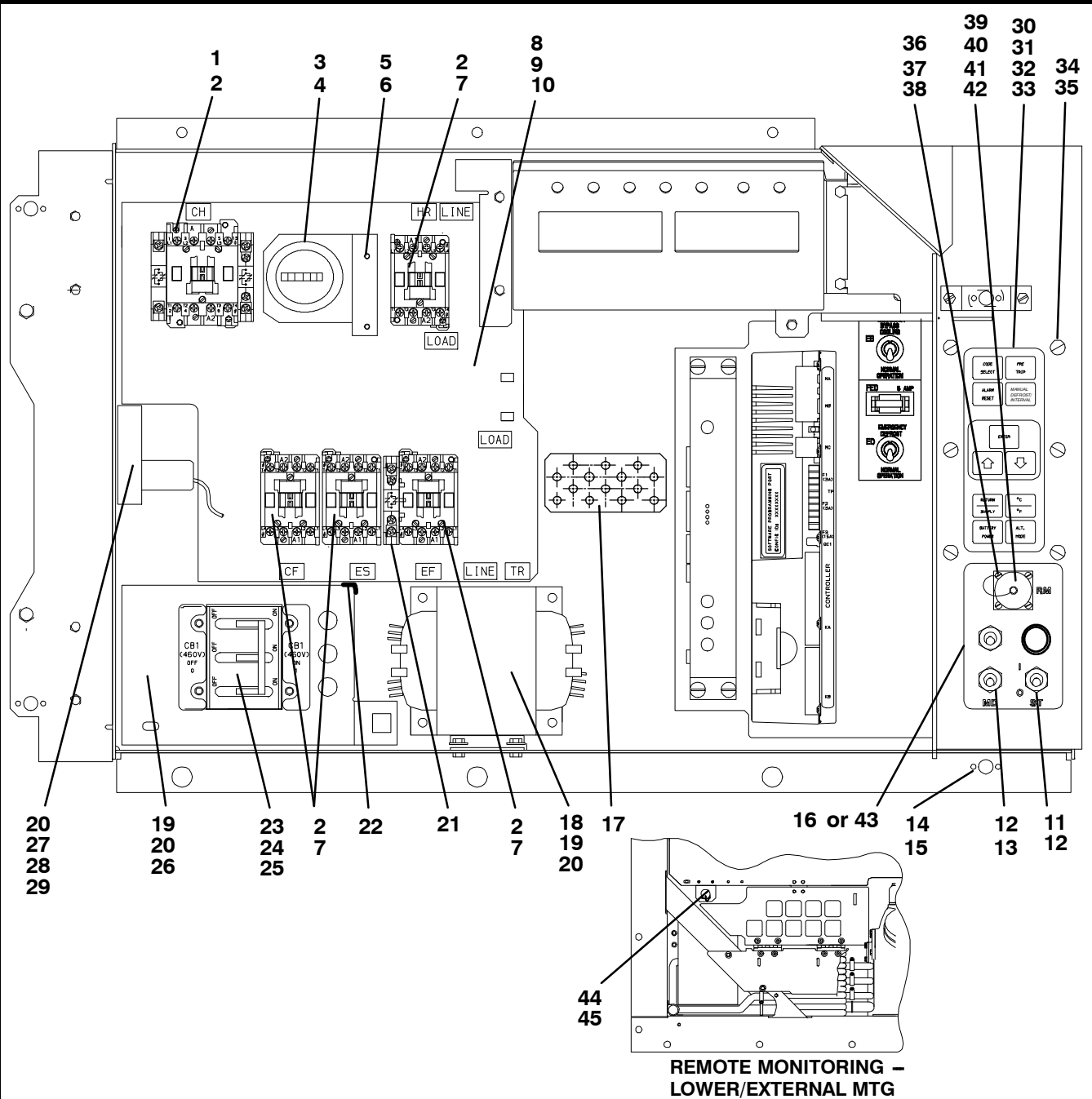
**OPTION C & CL - COMPOSITE CONTROL BOX**

14	58-04668-00	Control Box, Replacement for Standard Composite	1
15	69NT35-6272	Bracket, Non-Locking	1
	69NT35-2287	Bracket, Locking <b>(See Note 3)</b>	1
16	34-01142-01	Receptacle, Retaining	1
17	34-00928-01	Rivet, Blind, 1/8 Diameter, Grip Range - 1/16 - 1/8	2
	34-00928-02	Rivet, Blind, 1/8 Diameter, Grip Range - 1/18 - 3/16 <b>(See Note 4)</b>	2
18	66U1-2403	Screw, Truss Head, #10-24 x 1/2 lg. - SST	2
NS	76-00724-00SV	Crack, Chip and Hole Repair Kit	1
NS	76-50084-00SV	Insert Repair Kit - Includes:	1
19	34-06231-01	Insert - 17.53 x 9.91 mm (0.690 x 0.390 in) 1/4-20 Threads - <b>NSS</b>	10
20	34-06231-03	Insert - 15.88 x 6.35 mm (0.625 x 0.250 in) 10-24 Threads - <b>NSS</b>	10
21	34-06231-04	Insert - 25.15 x 7.54 mm (0.990 x 0.297 in) 10-24 Threads - <b>NSS</b>	10
22	34-06231-05	Insert - 10.16 x 9.53 mm (0.400 x 0.375 in) 10-24 Threads - <b>NSS</b>	10
23	34-06231-06	Insert - 12.70 x 9.91 mm (0.500 x 0.390 in) 1/4-20 Threads - <b>NSS</b>	10
24	34-06231-07	Insert - 9.53 x 6.76 mm (0.375 x 0.266 in) 10-24Threads - <b>NSS</b>	10
NS	02-00082-00	Durabond Epoxy - <b>NSS</b>	1
NS	07-00390-00	Static Mixing Tube - <b>NSS</b>	1
NS	07-00391-00	Application Gun - Required for Insert Repair	1

**NOTES**

3. The bracket is bolted to the control box - order 69NT35-2287 for locking bracket.
4. When 69NT35-2287 is used, 34-00928-02, rivet, is to be used in the upper door location.

## 2.7 CONTROL BOX - SHIELDS REMOVED, STD ELECTRICAL COMPONENTS, RM & HOURMETER



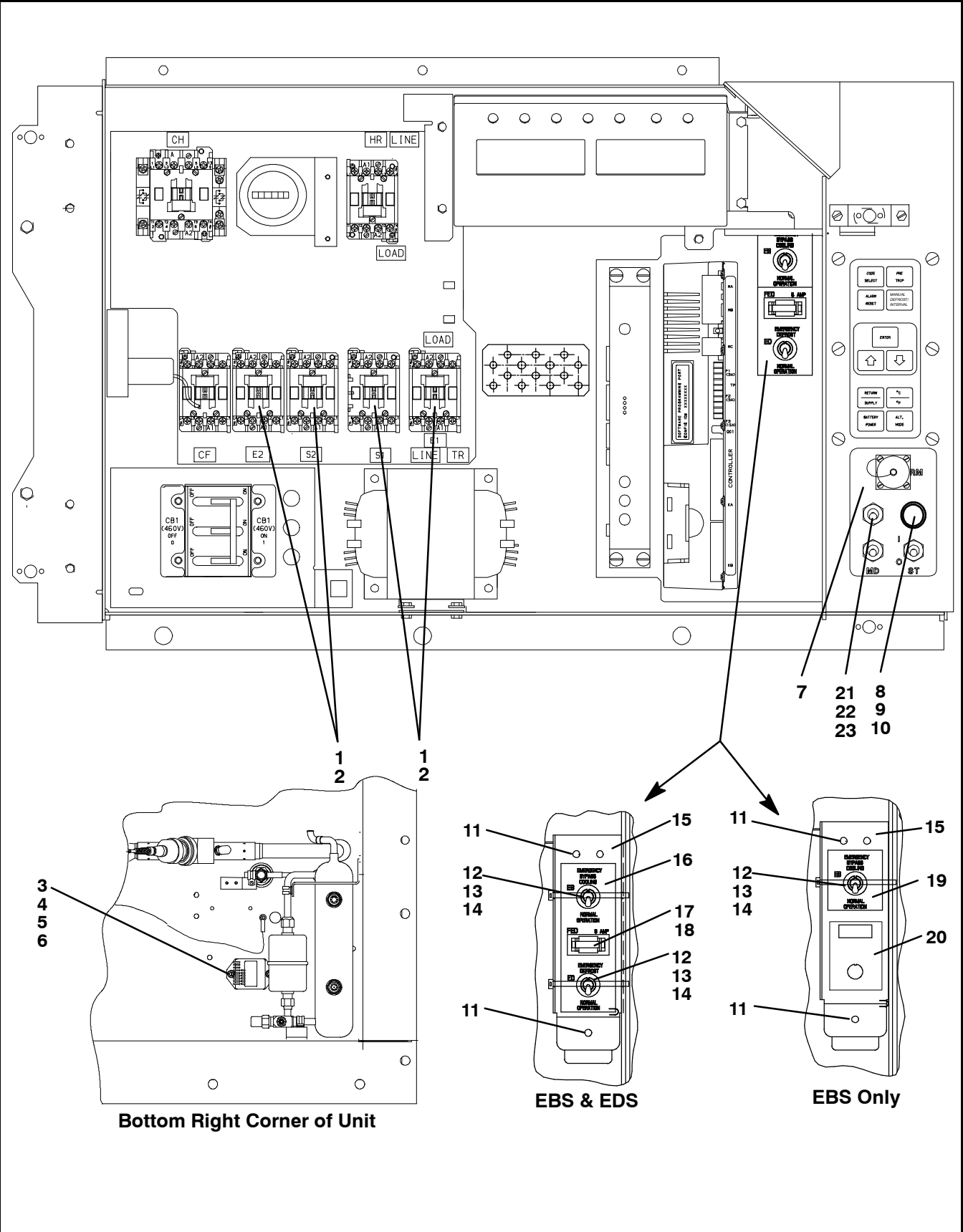
### HOURMETER

Item	Part Number	Description	Qty
1	10-00431-07	Contactors, Compressor (CH) (30 Amp)	1
2	34-06243-00	Screw, Pan Head, (Thread Cutting) #8-32 x 3/4 lg. - SST	10
3	66U1-3823	Hourmeter	1
4	66U1-6651-15	Screw, Pan Head, #4-40 x 3/4 lg. - SST	3
5	68-12496-00	Bracket, Hourmeter	1
6	66U1-5381	Screw, Hex Head, #10-24 x 0.50 lg. - SST	2
7	10-00431-06	Contactors, (CF), (HR) & (EF & ES) (12 Amp)	4
8	68-13427-00SV	Panel, Contactor - Includes:	1
9	58-00967-00	Spacer (Used with sheet metal control box only)	5
10	34-00655-08	Screw, Hex Head, 1/4-20 x 1.00 lg. - SST	4

**2.7 CONTROL BOX - SHIELDS REMOVED, STANDARD ELECTRICAL COMPONENTS (Continued)**

Item	Part Number	Description	Qty
11	10-01129-07 SV	Switch, Toggle <b>(On-Off)</b>	1
12	66U1-9752	Seal, Bushing	1
13	10-01129-10	Switch, Toggle <b>(MDS)</b> (if equipped)	1
14	34-00928-01	Rivet, Blind, 1/8 Diameter, Grip Range - 1/16 - 1/8	6
15	34-01142-01	Receptacle	1
16	58-04145-01	Plate, Switch	A/R
	68-14796-00	Plate, Switch (Start Only) NT-1200 and Up	A/R
	68-14796-02	Plate, Switch (Start and Defrost LED), NT-1200 and Up	A/R
	68-14796-05	Plate, Switch (Start and MDS), NT-1200 and Up	A/R
17	69NT41-982-3	Plate, Ground	1
18	10-00332-21SV	Transformer, Base Unit	1
19	66U1-5371-7	Screw, Hex Head, #10-24 x 1/2 lg. - SST	A/R
20	66U1-5321-8	Washer, Flat, #10 - SST	A/R
21	10-00431-02	Contact, Auxiliary	1
22	66CH1-1172-46	Trim, Flexible (85 Feet Long, Cut to Length)	A/R
23	34-00663-07	Washer, Lock, #6 - SST	4
24	66U1-7842-13	Circuit Breaker - 460 vac, 25 Amp, <b>(CB1)</b>	1
25	66U1-6651-4	Screw, Pan Head, #6-32 x 3/8 lg. - SST	4
26	69NT35-6278	Bracket, Circuit Breaker	1
27	10-00439-00	Transformer, Current Sensing <b>(CS)</b>	1
28	66U1-5371-10	Screw, Hex Head, #10-24 x 1.00 lg. - SST	2
29	66U1-5321-8	Washer, Flat, #10 - SST	2
30	79-01706-05SV	Pad, Key - Includes:	1
31	<b>NSS</b>	Gasket (Between Key Pad Plate Assembly and Connector)	1
32	<b>NSS</b>	Gasket (Between Key Pad and Key Pad Plate Assembly)	1
33	<b>NSS</b>	Plate Assembly, Key Pad Mounting	1
34	34-06227-00	Screw, Pan Head, #10-24 X 3/4 lg. - SST (Use with Composite Box)	6
	66U1-2403	Screw, Pan Head, #10-24 X 3/4 lg. - SST (Use with Aluminum Box)	6
35	34-06053-05	Washer, Mylar, 0.205 ID x 0.600 OD	6
<b>REMOTE MONITORING (STANDARD LOCATION)</b>			
36	34-00848-10	Screw, Round Head, #4-40 x 5/8 lg. - SST	4
37	66U1-5321-6	Washer, Flat, 0.125 ID - SST	4
38	34-00667-05	Nut, Self Locking, #4-40 - SST	4
39	22-02341-00	Receptacle, Remote Monitoring <b>(RM)</b>	1
40	22-02368-00	Plug, Remote Monitoring	1
41	22-02341-01	Cap and Tether, Receptacle Assembly	1
42	66U1-6835	Gasket, Remote Monitoring Receptacle	1
43	58-04145-00	Plate, Switch, with RM	A/R
	68-14796-03	Plate, Switch, with RM NT-1200 and up	A/R
	68-14796-06	Plate, Switch with RM and MDS, NT-1200 and Up	A/R
<b>REMOTE MONITORING (LOWER LEFT/EXTERNAL LOCATION)</b>			
44	22-01889-00	Receptacle, Remote Monitoring <b>(RM)</b>	1
45	69NT40-222	Bracket	1

**2.8 CONTROL BOX - SHIELDS REMOVED, EVAP FAN CAPABILITY, EBS and EDS, EBS ONLY and CFS**



- 7
- 21
- 22
- 23
- 8
- 9
- 10

- 1
- 2
- 1
- 2

- 3
- 4
- 5
- 6

- 11
- 12
- 13
- 14
- 11

- 11
- 12
- 13
- 14
- 11

- 15
- 16
- 17
- 18
- 12
- 13
- 14

- 15
- 19
- 20

**Bottom Right Corner of Unit**

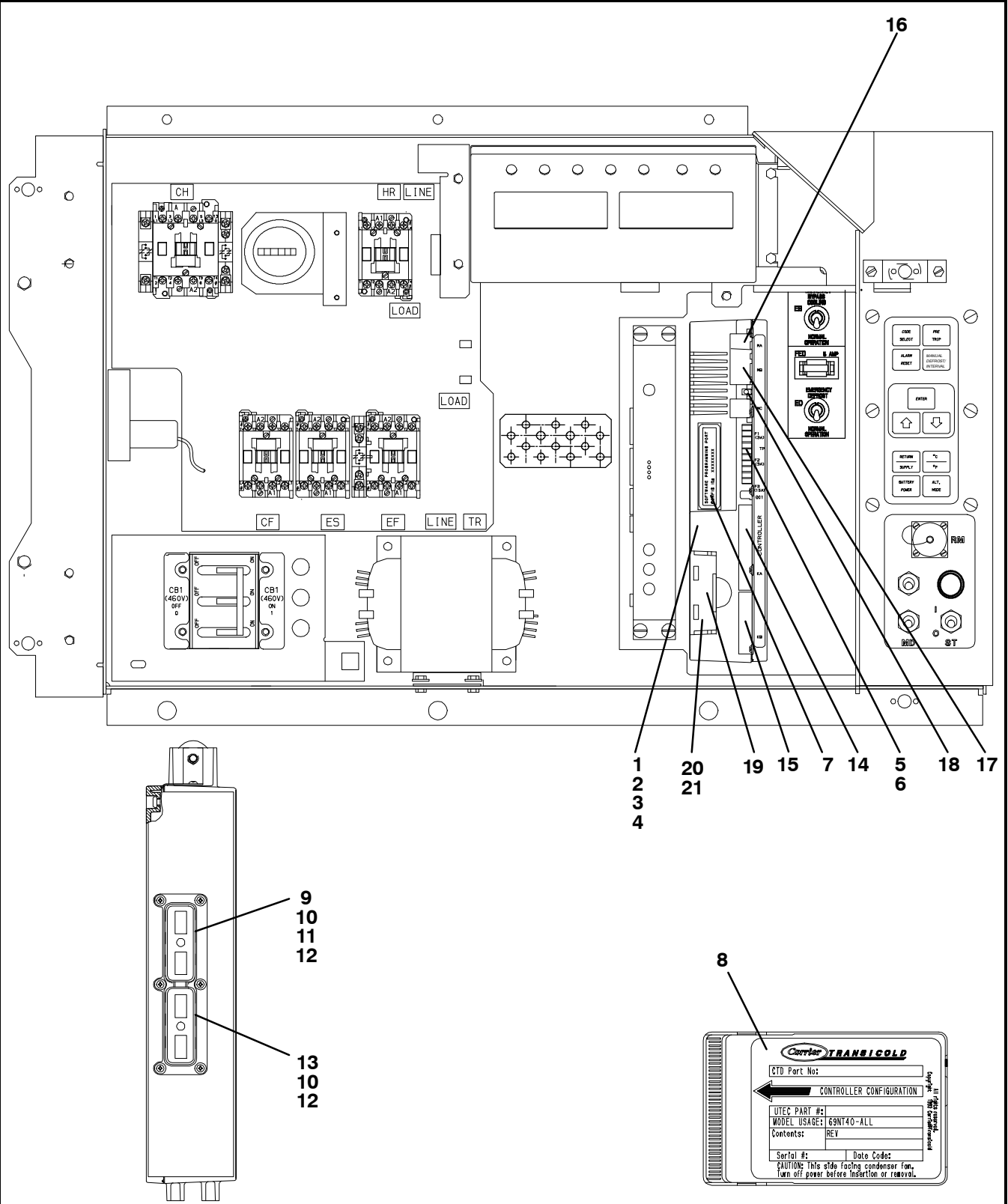
**EBS & EDS**

**EBS Only**

**2.8 CONTROL BOX - SHIELDS REMOVED, EVAP FAN CAPABILITY, EBS and EDS, EBS ONLY and CFS (Continued)**

Item	Part Number	Description	Qty
<b>OPTION 1 - NORMAL EVAPORATOR FAN OPERATION</b>			
See Section 2.7 Items 6 and 7 for correct contactor placement			
<b>OPTION 2 - SINGLE EVAPORATOR FAN CAPABILITY</b>			
1	34-06243-00	Screw, Pan Head, Thread Cutting #8-32 x 3/4 lg. - SST	8
2	10-00431-06	Contactor, (E2 & S2) & (E1 & S1) (12 Amp)	4
<b>OPTION B - EMERGENCY BYPASS SWITCH AND EMERGENCY DEFROST SWITCH</b>			
3	10-00416-00	Module, Emergency Bypass	1
4	66U1-5371-6	Screw, Machine Hex Head, #10-24 x 0.75 lg. - SST	2
5	34-06053-05	Washer, Mylar, 0.205 ID x 0.600 OD	2
6	66U1-5321-8	Washer, Flat, #10 - SST	2
7	58-04145-09	Plate, Switch (with light location)	1
	58-04145-07	Plate, Switch (with light location, with RM)	1
	68-14796-01	Plate, Switch (with Start and CFS) NT-1200 and up	A/R
	68-14796-02	Plate, Switch (with light location) NT-1200 and up	A/R
	68-14796-04	Plate, Switch (with light location, with RM) NT-1200 and Up	A/R
8	22-00518-01	Base, Pilot Light	1
9	22-00519-03	Light Assembly, Pilot	1
10	22-00049-01	Lamp, 24VDC	1
11	34-06223-00	Screw, Captive Washer, #10-24 X 0.56 lg. - SST	2
12	10-01129-07	Switch, Toggle	2
13	10-01129-20	Hex Nut	2
14	66U1-9752	Seal, Bushing	2
15	68-12544-01	Bracket	1
16	62-02874-01	Label, EB and ED	1
17	22-01455-02	Holder Assembly, Fuse	1
18	22-02336-02	Fuse, 5 Amp	1
<b>OPTION EB - EMERGENCY BYPASS SWITCH ONLY</b>			
3	10-00416-00	Module, Emergency Bypass	1
4	66U1-5371-6	Screw, Machine, Hex Head, #10-24 x 0.75 lg. - SST	2
5	34-06053-05	Washer, Mylar, 0.205 ID x 0.600 OD	2
6	66U1-5321-8	Washer, Flat, #10 - SST	2
12	10-01129-07SV	Switch, Toggle	1
15	68-12544-01	Bracket	1
11	34-06223-00	Screw, Captive Washer, #10-24 X 0.56 lg. - SST	2
13	10-01129-20	Hex Nut	1
14	66U1-9752	Seal, Bushing	1
19	62-02874-00	Label, EB Upper	1
20	62-02874-02	Label, EB Lower	1
<b>OPTION F - CONDENSER FAN SWITCH</b>			
21	10-00298-01	Switch, Toggle (CFS)	1
22	66U1-9752	Seal, Bushing	1
23	58-04145-06	Plate, Switch (with extra switch location)	1

## 2.9 CONTROL BOX - CONTROLLER MODULE SECTION AND SOFTWARE CARDS



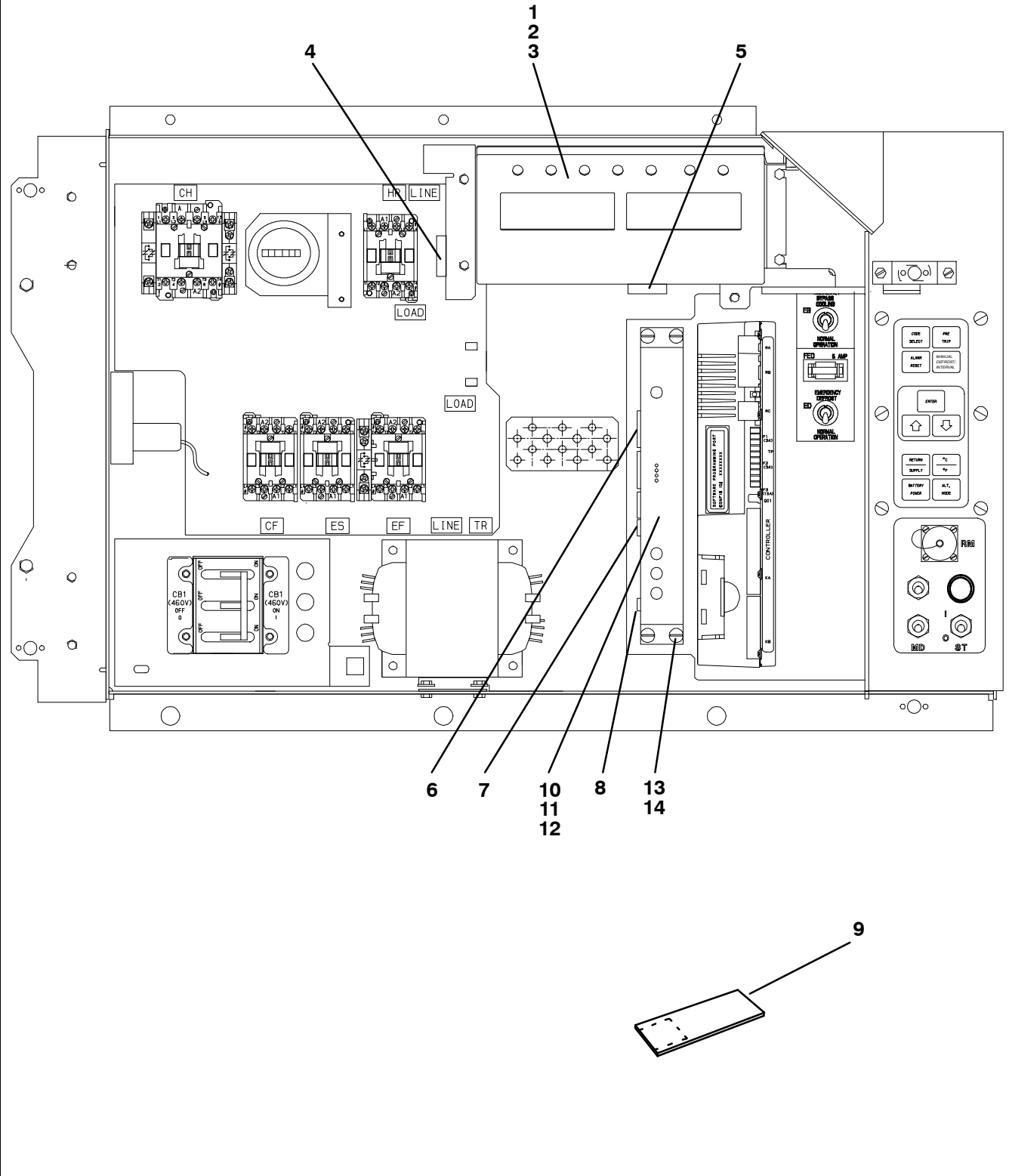
View - Back of Controller/DataCORDER module

**2.9 CONTROL BOX - CONTROLLER MODULE SECTION AND SOFTWARE CARDS (Continued)**

Item	Part Number	Description	Qty
1	-	Module, Controller/DataCORDER - <b>Refer to Section 5</b> - Includes:	-
2	66U1-5371-7	Screw, Hex Head, #10-24 x 1/2 lg. - SST	1
3	69NT35-2692	Washer, Fender, 0.063 Thick - SST	1
4	58-01184-00	Retainer, Screw, 0.141 ID	1
5	22-02336-04	Fuse, 10 Amp (F3)	3
6	22-02336-02	Fuse, 5 Amp (F1 & F2)	1
7	62-02719-00	Label, Controller/DataCORDER Port	1
8	12-00397-00/5123	Card, Controller/DataCORDER Operation Software	1
NS	12-00402-xx	Card, Configuration Software	1
9	22-01777-00SV	Connector (EC A-K) - 30 Pin	1
10	22-01777-03	Socket, 20 AWG	35
11	22-50100-00	Socket, 18 AWG	4
12	22-01777-04	Plug, Sealing	21
13	22-01777-01SV	Connector (EC L-Y) - 30 Pin	1
14	22-01556-02	Connector (KA) - 14 Pin	1
15	22-01556-01	Connector (KB) - 10 Pin	1
NS	22-01621-23	Connector (KP) - 9 Pin (Connects to Ribbon Cable)	1
16	22-01622-01	Connector (MA) - 12 Pin	1
17	22-01622-02	Connector (MB) - 16 Pin	1
18	22-01622-00	Connector (MC) - 8 Pin	1
NS	09-00369-00SV	Battery, Real Time Clock, (Within the Controller)	1
NS	22-50157-00	Wire Harness, Controller to Current Sensing Transformer)	1
NS	22-01713-06	Wire Harness, Display Module to Controller/DataCORDER Module	1
NS	62-02735-00	Label, Warning, Don't use 12-00327 ! -(Located on the control box behind the Controller/DataCORDER module.)	1
NS	62-02738-05	Label, Warning, 5108 Series - (Located on the bottom panel of the control box between the transformer and the Communications Interface module.)	1
<b>OPTION R - RECHARGEABLE BATTERY PACK</b>			
19	30-00407-02SV	Battery Pack - Controller/DataCORDER Module	1
<b>OPTION S - STANDARD CELLS</b>			
20	PL	Battery ("AA")	6
21	30-00407-00	Cover, Controller Battery	1



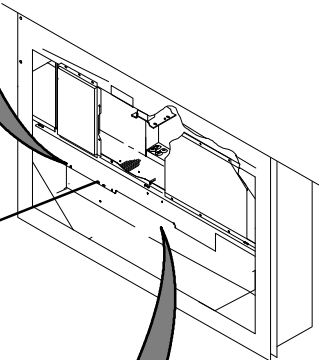
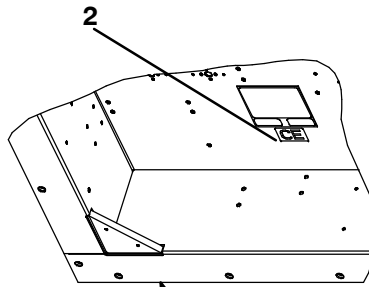
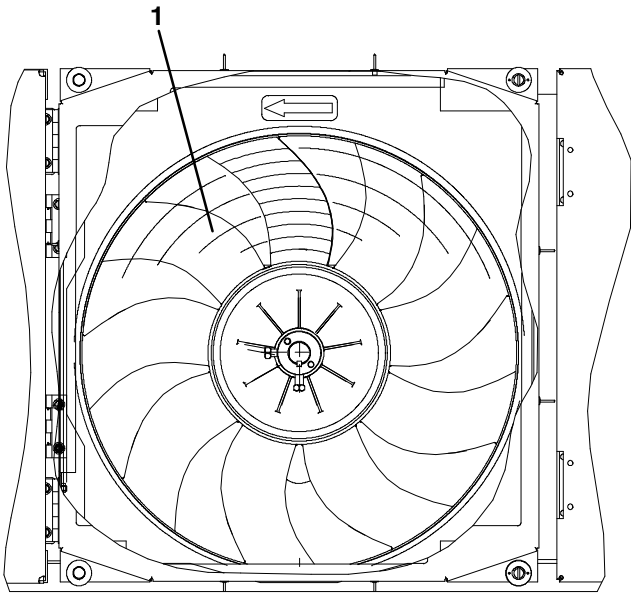
**2.10 CONTROL BOX - DISPLAY MODULE AND COMMUNICATIONS INTERFACE MODULE SECTION**



**2.10 CONTROL BOX - DISPLAY MODULE AND COMMUNICATIONS INTERFACE MODULE SECTION  
(Continued)**

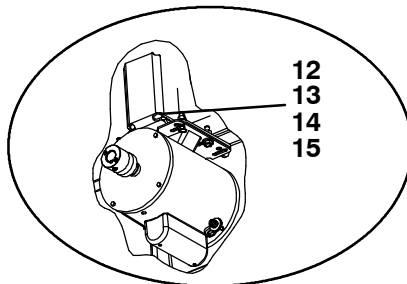
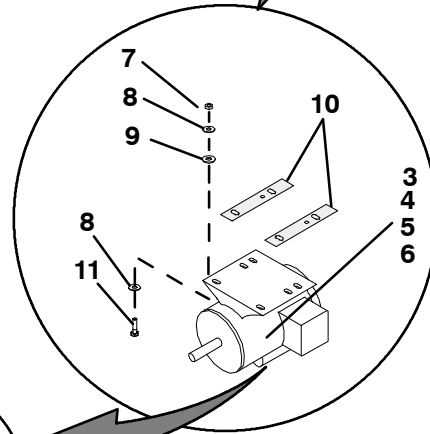
Item	Part Number	Description	Qty
1	12-00433-00RP	Module, LCD Display (Option 1)	1
	12-00433-02 RP	Module, LED Display (Option 2)	1
2	66U1-5371-7	Screw, Hex Head, #10-24 x 1/2 lg. - SST	4
3	69NT35-2692-4	Washer, Fender, 0.063 Thick - SST	4
4	22-01621-03	Connector (MK) - 9 Pin	1
5	22-01621-02	Connector (MB) - 16 Pin	1
6	22-02396-03	Connector (CIC) - 7 Pin	1
7	22-02396-02	Connector (CIB) - 3 Pin	1
8	22-01556-00	Connector (CIA) - 7 Pin	1
NS	22-01713-02	Wire Harness, Key Pad to Display Module	1
9	76-50141-00	PC Card Adapter and Cover (For Use with 12-00594 series ML3 Cards)	1
<b>OPTION 1 - COMMUNICATIONS INTERFACE MODULE - STANDARD</b>			
10	12-00573-00SV	Module, Communications Interface - Includes:	1
11	66U1-3442-2	Stud, Fastener, 1/4 turn, 0.705 lg. - SST	4
12	66U1-9212-1	Retainer, Push-on	4
13	34-06223-00	Screw, Captive Washer #10-24 x 0.56 - SST	4
14	58-01184-00	Retainer, Screw 0.75 O.D.	4
<b>OPTION 2 - COMMUNICATIONS INTERFACE MODULE - HIGH DATA RATE</b>			
10	12-00573-00SV	Module, Communications Interface - Includes:	1
11	66U1-3442-2	Stud, Fastener, 1/4 turn, 0.705 lg. - SST	4
12	66U1-9212-1	Retainer, Push-on	4
13	34-06223-00	Screw, Captive Washer #10-24 x 0.56 - SST	4
14	58-01184-00	Retainer, Screw 0.75 O.D.	4
<b>OPTION 3 - COMMUNICATIONS INTERFACE MODULE - CHIPSET MODEM</b>			
10	12-00573-00SV	Module, Communications Interface - Includes:	1
11	66U1-3442-2	Stud, Fastener, 1/4 turn, 0.705 lg. - SST	4
12	66U1-9212-1	Retainer, Push-on	4
13	34-06223-00	Screw, Captive Washer #10-24 x 0.56 - SST	4
14	58-01184-00	Retainer, Screw 0.75 O.D.	4
<b>OPTION 4 - COMMUNICATIONS INTERFACE MODULE - LOW DATA RATE</b>			
10	12-00275-19SV	Module, Communications Interface - Includes:	1
11	66U1-3442-2	Stud, Fastener, 1/4 turn, 0.705 lg. - SST	4
12	66U1-9212-1	Retainer, Push-on	4
13	34-06223-00	Screw, Captive Washer #10-24 x 0.56 - SST	4
14	58-01184-00	Retainer, Screw 0.75 O.D.	4

**2.11 CONDENSER FAN MOTOR AND COIL**



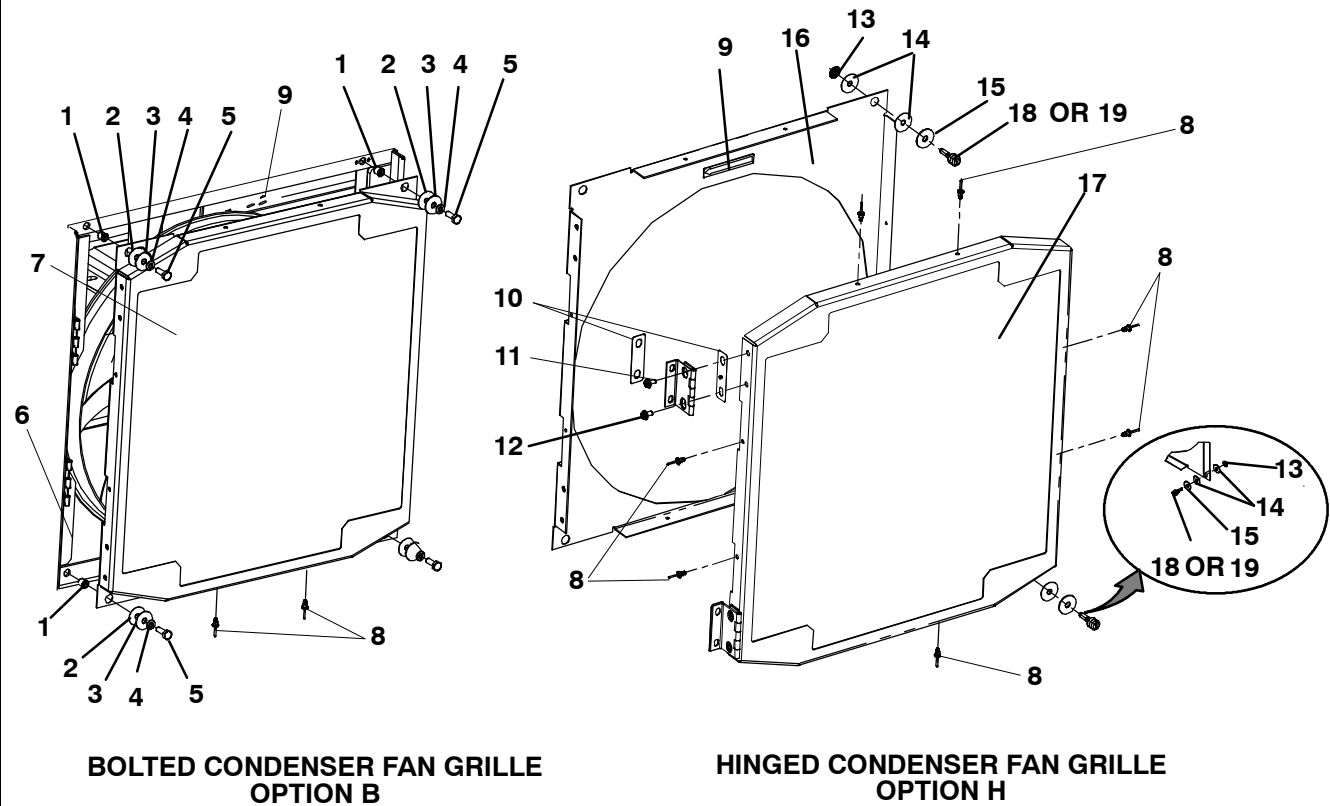
**Option 3 or Option 2.4**

- |    |    |
|----|----|
| 16 | 16 |
| 17 | 17 |
| 18 | 23 |
| 19 | 24 |
| 20 | 25 |
| 21 |    |
| 22 |    |



<b>2.11 CONDENSER FAN MOTOR AND COIL (Continued)</b>			
<b>Item</b>	<b>Part Number</b>	<b>Description</b>	<b>Qty</b>
1	38-00585-00	Fan, Condenser	1
2	62-02785-00	Label, CE	1
3	54-00586-20	Motor, Condenser - Includes:	1
4	04-50029-00	Bearing	2
5	22-01997-05	Pin	A/R
6	22-01997-10	Pin, Grounding	A/R
7	34-00667-12	Nut, Self-Locking, 5/16-18	4
8	34-01181-01	Washer, Flat	8
9	34-06053-02	Washer, 0.375 ID X 1.000 OD	4
10	69NT35-6112	Protector, Condenser Fan Motor Mounting	2
11	66U1-5361	Screw, Cap HXHD, 5/16-18 X 1.25	4
12	69NT35-3452	Shim	1
13	69NT35-3452-1	Shim	1
14	69NT35-3452-2	Shim	1
15	69NT35-3452-3	Shim	1
<b>OPTION 2 - TWO ROW CONDENSER COIL</b>			
<b>Use Option 4 for 2-Row Coil Replacement</b>			
<b>OPTION 3 - THREE ROW (7MM) CONDENSER COIL</b>			
16	68-13455-00	Cover, Condenser Coil, Blue Includes:	1
	68-13455-03	Cover, Condenser Coil, White Includes:	1
17	58-04480-00	Bumper (For Use With Uncoated Center Handles)	A/R
	58-04481-00	Plug (For Use with Coated Handles or Units with no Center Handle)	A/R
18	81-01575-00SV	Coil, Condenser(Copper), 7MM 3-Row - Includes Mylar Washers	1
19	66CH1-1172-16	Trim, Flexible	2
20	69NT35-8693-7	Protector (Apply Between Frame and Coil and Coil Cover)	4
21	69NT35-8693-10	Protector (Apply Between Frame and Coil and Coil Cover)	2
22	58-04026-41	Protector, Mylar (Apply Between Coil and Coil Cover, RH and LH Sides)	2
<b>OPTION 4 - FOUR ROW (3/8") CONDENSER COIL</b>			
16	68-13201-01	Cover, Condenser Coil, Blue Includes:	1
	69NT43-148-4	Cover, Condenser Coil, White Includes:	1
17	58-04480-00	Bumper (For Use with Uncoated Center Handles)	A/R
	58-04481-00	Plug (For Use with Coated Handles or Units with no Center Handle)	A/R
23	69NT43-202-10SV	Coil, Condenser (Copper), 4-Row - Includes Mylar Washers	1
24	69NT35-8703	Protector (Apply Between Frame and Coil and Coil Cover)	4
25	58-04026-10	Protector, Mylar (Apply Between Coil and Coil Cover, RH and LH Sides)	2

## 2.12 CONDENSER FAN GRILLE ASSEMBLY



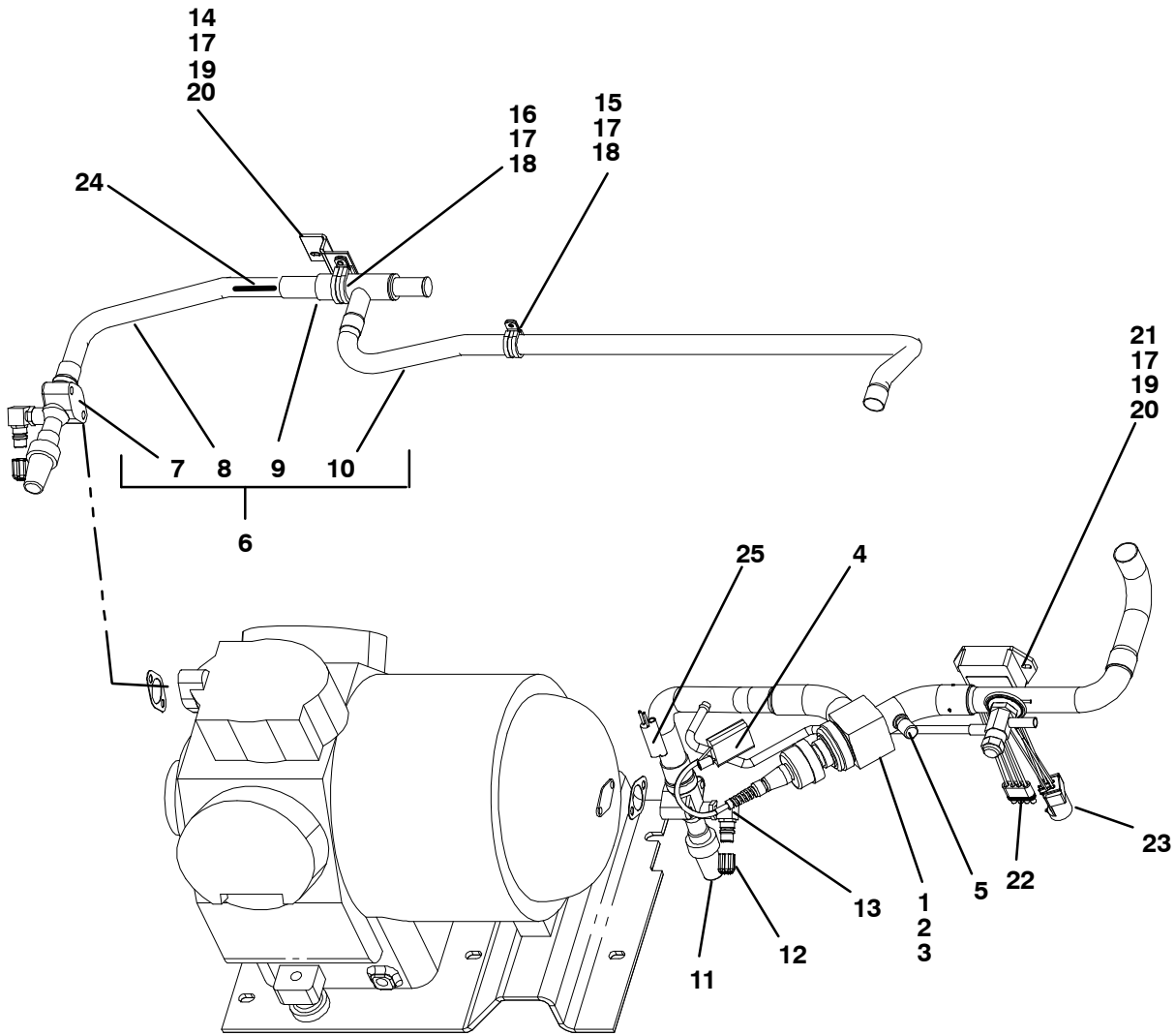
**BOLTED CONDENSER FAN GRILLE  
OPTION B**

**HINGED CONDENSER FAN GRILLE  
OPTION H**

Item	Part Number	Description	Qty
<b>OPTION B - BOLTED CONDENSER FAN GRILLE, STANDARD PARTS</b>			
1	34-06051-36	Rivnut, 1/4-20	A/R
2	34-06053-03	Washer, 0.250 ID X 1.000 OD	A/R
3	69NT35-2692-1	Washer, Fender, 1/4	A/R
4	34-00663-11	Washer, Lock, 1/4 Spring	A/R
5	66U1-5361-25	Screw, Cap HXHD, 1/4-20 X 0.75	A/R
<b>BLUE PANEL</b>			
-	79-66635-00	Grille and Venturi Assembly, Blue - Includes:	1
6	68-12635-05	Panel Venturi	1
7	86-04637-00	Grille Assembly	1
8	34-00928-07	Rivet, Blind	8
9	62-11273-00	Label, Rotation	1
<b>WHITE PANEL</b>			
-	79-66635-01	Grille and Venturi Assembly, White - Includes	1
6	68-12635-22	Panel Venturi	1
7	86-04637-02	Grille Assembly	1
8	34-00928-07	Rivet, Blind	8
9	62-11273-00	Label, Rotation	1
<b>ORANGE PANEL</b>			
-	79-66635-02	Grille and Venturi Assembly, Orange - Includes	1
6	68-12635-06	Panel Venturi	1
7	86-04637-01	Grille Assembly	1
8	34-00928-07	Rivet, Blind	8
9	62-11273-00	Label, Rotation	1

<b>2.12 CONDENSER FAN GRILLE ASSEMBLY (Continued)</b>			
<b>Item</b>	<b>Part Number</b>	<b>Description</b>	<b>Qty</b>
<b>OPTION H - HINGED CONDENSER FAN GRILLE, STANDARD PARTS</b>			
8	34-00928-07	Rivet, Blind	8
10	58-04101-07	Protector	4
11	44-00374-00	Hinge	2
12	34-06179-00	Screw, HXHD, Sems #10-24 x 7/16	4
13	34-06169-00	Washer, Retaining, SST	2
14	34-06053-03	Washer, Mylar, 1/4 ID X 1.00 OD	4
15	69NT35-2692-1	Washer, Fender, 1/4, SST	2
<b>BLUE PANEL WITH SLOTTED SCREW</b>			
<b>Use Standard Parts with Items Below:</b>			
-	79-66635-03	Grille and Venturi Assembly, Blue, Slotted Screw - Includes	1
16	68-12635-03	Panel, Venturi	1
17	86-04637-00	Grille Assembly	1
18	66U1-6811-8	Screw, Retaining, SST	2
<b>WHITE PANEL WITH SLOTTED SCREW</b>			
<b>Use Standard Parts with Items Below:</b>			
-	79-66635-04	Grille and Venturi Assembly, White, Slotted Screw - Includes	1
16	68-12635-21	Panel, Venturi	1
17	86-04637-02	Grille Assembly	1
18	66U1-6811-8	Screw, Retaining	2
<b>ORANGE PANEL WITH SLOTTED SCREW</b>			
<b>Use Standard Parts with Items Below:</b>			
-	79-66635-05	Grille and Venturi Assembly, Orange, Slotted Screw - Includes	1
16	68-12635-04	Panel, Venturi	1
17	86-04637-01	Grille Assembly	1
18	66U1-6811-8	Screw, Retaining	2
<b>BLUE PANEL WITH PHILLIPS SCREW</b>			
<b>Use Standard Parts with Items Below:</b>			
-	79-66635-06	Grille and Venturi Assembly, Blue, Phillips Screw - Includes	1
16	68-12635-03	Panel, Venturi	1
17	86-04637-00	Grille Assembly	1
19	66U1-6811-12	Screw, Retaining	2
<b>WHITE PANEL WITH PHILLIPS SCREW</b>			
<b>Use Standard Parts with Items Below:</b>			
-	79-66635-07	Grille and Venturi Assembly, White, Phillips Screw - Includes	1
16	68-12635-21	Panel, Venturi	1
17	86-04637-02	Grille Assembly	1
19	66U1-6811-12	Screw, Retaining	2
<b>ORANGE PANEL WITH PHILLIPS SCREW</b>			
<b>Use Standard Parts with Items Below:</b>			
-	79-66635-08	Grille and Venturi Assembly, Orange, Phillips Screw - Includes	1
16	68-12635-04	Panel, Venturi	1
17	86-04637-01	Grille Assembly	1
19	66U1-6811-12	Screw, Retaining	2

## 2.13 COMPRESSOR TUBING SECTION

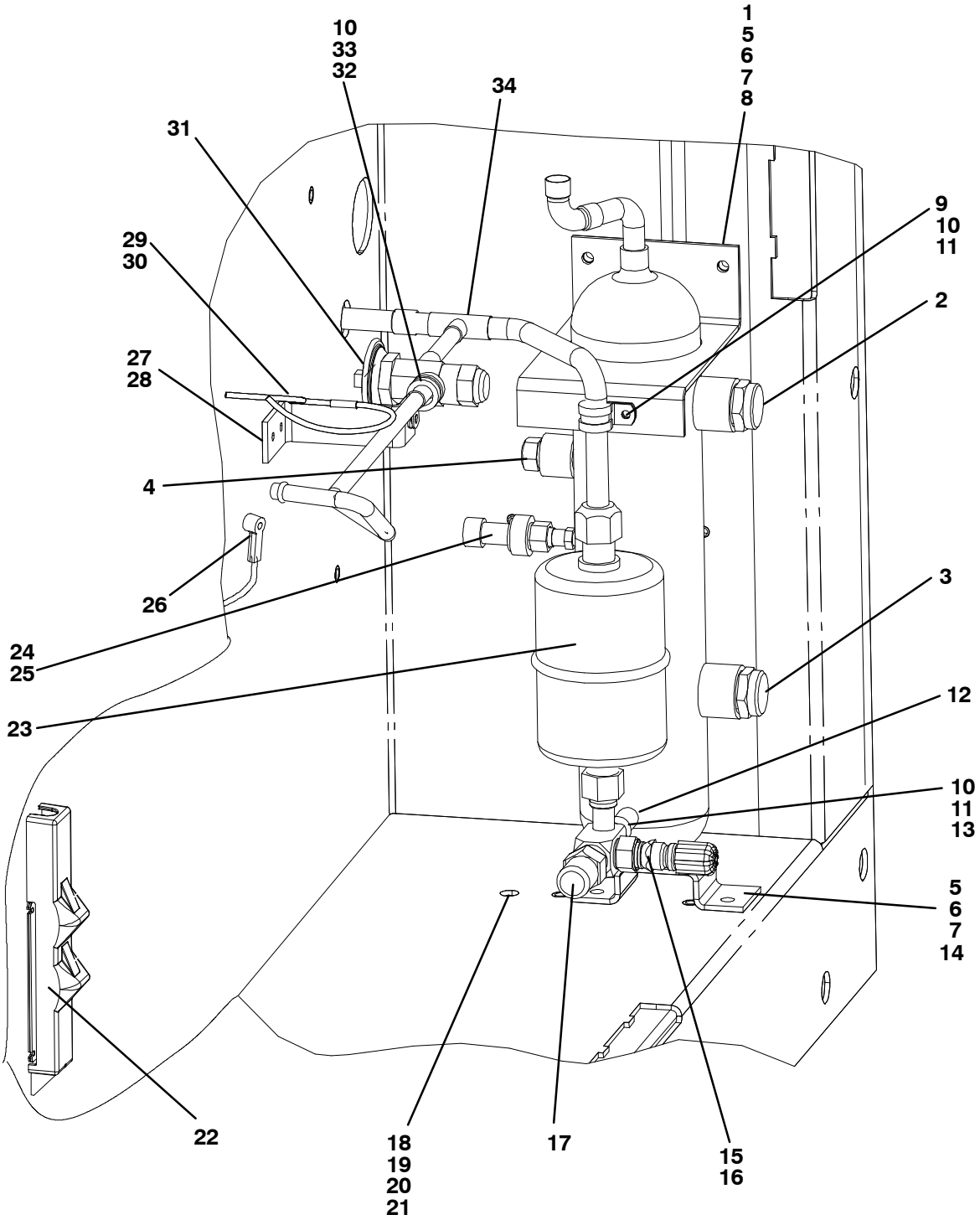


**2.13 COMPRESSOR TUBING SECTION (Continued)**

Item	Part Number	Description	Qty
1	14-00263-00	Valve, Stepper Motor - Includes:	1
2	14-00263-20	Piston and Motor Assembly - Includes:	1
3	14-00263-23	O-Ring	1
4	22-02392-03	Connector <b>(To Power Pack)</b>	1
NS	22-02393-01	Pin, 18-20 Gauge <b>(Used on 22-02392-03)</b>	4
NS	22-02394-03	Seal <b>(Used on 22-02392-03)</b>	4
5	14-00263-22	Cap	1
6	81-01472-00	Tubing Assembly - Includes:	1
7	14-00206-01	Valve, Service (Discharge) - <b>See Also Section 4.3</b>	1
8	NSS	Tube	
9	14-00204-02	Valve, Discharge Pressure Regulator (DPRV)	1
10	NSS	Tube	
11	-	Valve, Service (Suction) - <b>See Section 4.3</b>	1
12	40-00520-02	Cap, M8 x 1.0 - Nylon	1
13	40-00542-00	Elbow, Adapter (R134a)	1
14	69NT41-702	Bracket Assembly	1
15	66U1-3632-24	Clamp, Cushion, 1.18 Dia.	1
16	34-00373-11	Clamp, Cushion, 0.88 Dia.	1
17	66U1-5381-1	Screw, Hex Head, #10-24 x 0.75 lg. - SST	4
18	34-06053-00	Washer, Mylar, 0.25 I.D. x 0.80 O.D.	3
19	66U1-5321-8	Washer, Flat, #10 - SST	3
20	34-06053-05	Washer, Mylar, 0.205 I.D. x 0.60 O.D.	3
21	10-00388-00	Power Pack, Stepper Motor - Includes:	1
22	22-01585-04	Connector <b>(To Valve)</b>	1
23	22-01836-00	Connector <b>(To Harness)</b>	1
NS	22-01566-01	Socket <b>(Used on 22-01585-04)</b>	4
NS	22-02393-00	Pin <b>(Used on 22-01830-00)</b>	4
NS	22-02394-02	Seal <b>(Used on 22-01835-00, 22-01585-04 and 22-01830-00)</b>	A/R
NS	22-01835-00	Connector <b>(On Harness to Drive)</b>	1
NS	22-01566-00	Pin <b>(Used on 22-01835-00)</b>	5
<b>REFRIGERATION TEMPERATURE SENSORS</b>			
24	12-01105-02	Sensor, Thermistor <b>(CPDS)</b>	1
25	12-01104-05	Sensor, Thermistor <b>(CPSS)</b>	1

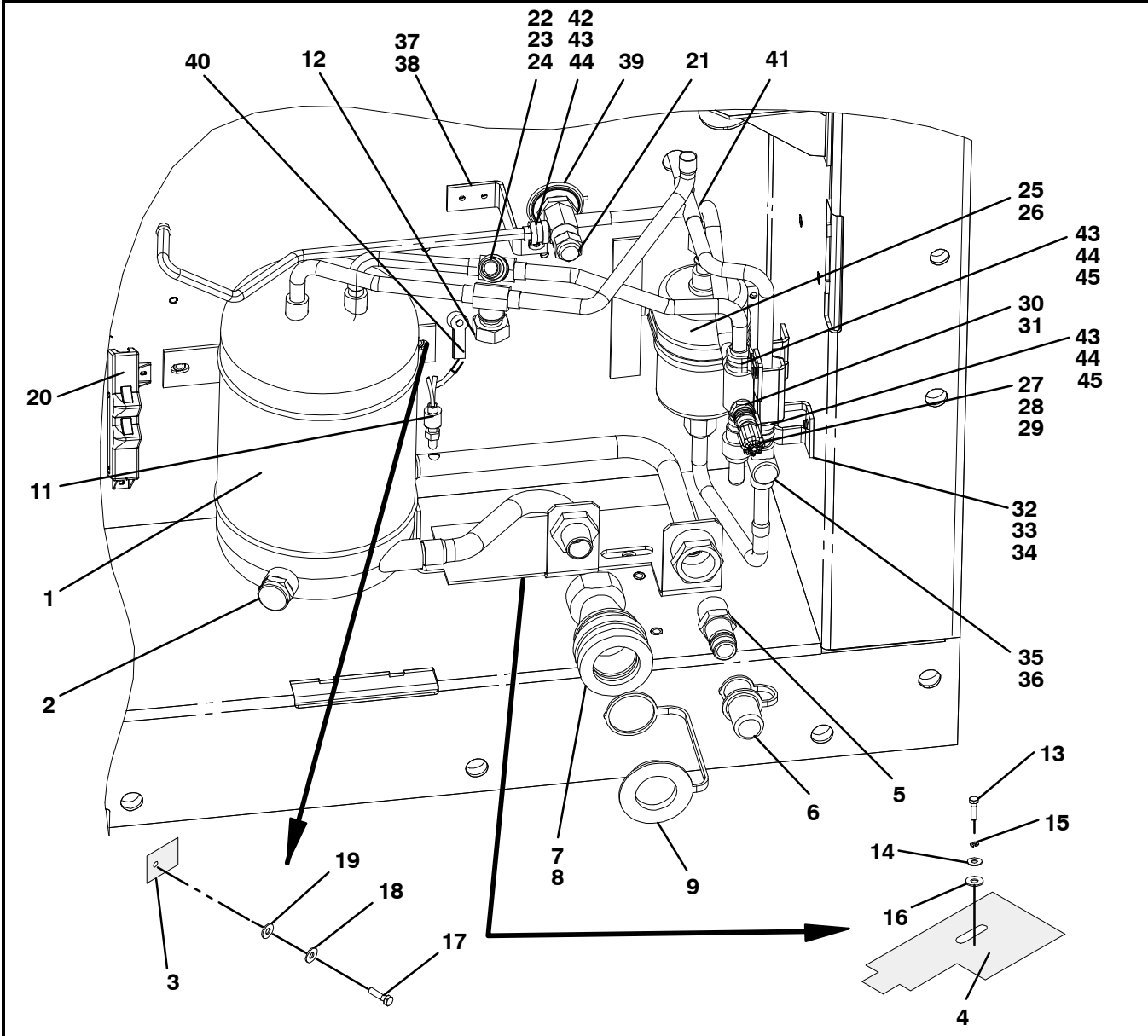


## 2.14 RECEIVER SECTION



<b>2.14 RECEIVER SECTION (Continued)</b>			
<b>Item</b>	<b>Part Number</b>	<b>Description</b>	<b>Qty</b>
1	69NT43-403-2	Receiver, Electro-Coated Modular, Copper - Includes:	1
2	14-00220-01	Glass, Sight, with Red Balls, 1/2-14 NPT	1
3	14-00221-01	Indicator, Moisture-Liquid	1
4	14-01032-14	Plug, Fusible, 3/8 NPT - Brass	1
	14-00215-06	Disc, Rupture, 3/8 NPT - Alternate	1
NS	22-02448-00SV	Connector, Female (Located on wire harness)	1
5	66U1-5361-25	Screw, Hex Head, 1/4-20 x 3/4 lg. - SST	A/R
6	66U1-5321-7	Washer, Flat, 1/4 - SST	3
7	34-06053-00	Washer, Mylar, 0.250 ID x 0.800 OD	4
8	58-04026-23	Protector, Mylar	1
9	34-00373-05	Clamp, Cushion, 1/2 Diameter	1
10	66U1-5371-6	Screw, Machine, Hex Head, #10-24 x 0.75 lg. - SST	3
11	34-06053-05	Washer, Mylar, 0.205 I.D. x 0.60 O.D.	4
12	14-00222-00	Valve, Liquid Line	1
13	34-00373-07	Clamp, Cushion, 5/8 Diameter	1
14	69NT43-277	Bracket, Liquid Line Valve	1
15	40-00520-01	Coupling, M15 - Brass - Includes:	1
16	40-00520-03	Cap, Service Port	1
17	40-00501-50	Cap, Service Valve	1
18	66U1-5361-7	Bolt, Hex Head, 3/8-16 x 1.00 lg. - SST	1
19	AU11JR241	Washer, Lock, 3/8 - SST	1
20	66U1-5321-5	Washer, Flat, 3/8 - SST	1
21	34-06053-02	Washer, Mylar, 0.375 ID x 1.00 OD	1
22	-	<b>See Section 2.16 for Sensor Assembly and Related Parts</b>	-
23	14-00341-02SV	Filter-Drier with O-Rings	1
24	12-00352-00	Transducer, Condenser Pressure (CPT)	1
25	EC39DM062	Valve, Schrader	1
26	12-00495-02SV	Sensor, Ambient Thermistor (AMBS)	1
27	69NT43-420	Bracket Assembly, Quench Valve	1
28	34-00928-09	Rivet, Blind, 5/32 Diameter, Grip Range - 1/8-1/4 - SST	2
29	66U2-1132-1	Connector	1
30	66U1-3803	Heat Shrink	1
31	14-00212-03SV	Valve, Quench, Thermostatic Expansion - Includes:	1
NS	14-00212-21	Kit, Repair - Includes:	1
NS	<b>NSS</b>	Power Head	1
32	34-06053-03	Washer, Mylar, 0.25 I.D. x 1.00 O.D.	1
33	34-00373-54	Clamp, Cushion, 0.44 Diameter	1
34	DE40BA203	Tee, Reducing 1/2 x 1/2 x 3/8	1

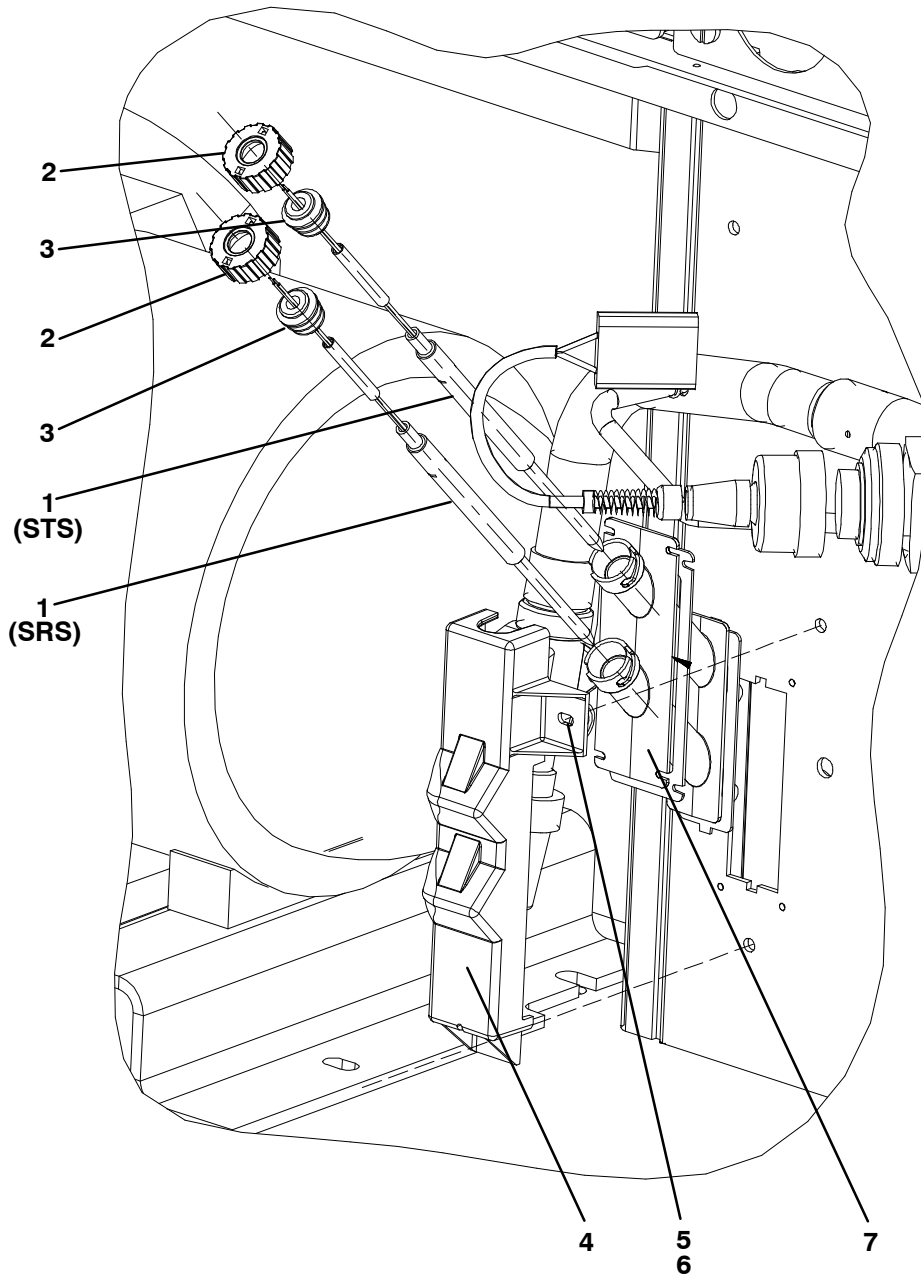
## 2.15 WATER-COOLED CONDENSER SECTION



Item	Part Number	Description	Qty
-	69NT42-914	Kit, Condenser/Receiver (For Field Installation) - <b>See NOTE</b> - Includes:	1
1	69NT42-914-1	Condenser/Receiver - Includes:	1
2	14-00220-00	Sight Glass, with red balls, 1/2 NPT	1
3	58-00956-00	Protector, Mylar	2
4	58-00957-00	Protector, Mylar	1
5	66U1-2763-5	Coupling (Water-In)	1
6	66U2-1142	Cap, Dust	1
7	40-01129-00	Coupling, Self Draining - Includes:	1
7	66U1-2763-6	Coupling Assembly, Socket - Includes:	1
8	42-50000-00	Seal, O-Ring	1
9	66U2-1152	Cap, Dust (Use with 40-01129-00)	1
10	79-01757-00	Cap Assembly (Use with 66U1-2763-6)	1
11	12-01071-01SV	Switch,Water Pressure <b>OPTION W</b>	1
12	14-00215-05	Disc, Rupture, 3/8 NPT	1

<b>2.15 WATER-COOLED CONDENSER SECTION (Continued)</b>			
<b>Item</b>	<b>Part Number</b>	<b>Description</b>	<b>Qty</b>
13	66U1-5361-7	Bolt, Hex Head, 3/8-16 x 1.00 lg. - SST	1
14	66U1-5321-5	Washer, Flat, 3/8 - SST	1
15	AU11JR241	Washer, Lock, 3/8 - SST	1
16	34-06053-02	Washer, Mylar, 3/8 ID x 1.00 OD	1
17	66U1-5361-25	Capscrew, Hex Head, 1/4-20 x 3/4 lg. - SST	2
18	66U1-5321-7	Washer, Flat, 1/4 - SST	2
19	34-06053-00	Washer, Mylar, 1/4 ID x 13/16 OD	2
20	-	<b>See Section 2.16 for Sensor Assembly and Related Parts</b>	-
-	76-00677-00	Accessory Kit, Water-Cooled Condenser Tubing - Includes:	-
21	06DA403-844	Valve, Schrader	1
22	12-00352-00	Transducer, Condenser Pressure <b>(CPT)</b>	1
23	69NT41-477	Tube Assembly - Includes:	1
24	40-00555-06	Tee, 1/2 x 1/2 x 3/8 NPT - Brass	1
25	14-00341-02SV	Filter-Drier with O-Rings	1
26	69NP20-1031	Clamp, Filter-Drier - Includes:	1
NS	58-50014-00	Gasket (16 ft., Cut to length)	1
-	69NT41-497	Tube Assembly - Includes:	1
27	66U1-8552-2	Valve, Liquid Line - Includes:	1
28	40-00086-04	Cap, Flare - 1/4	1
29	17-21002-01	Cap, Valve	1
30	40-00520-01	Coupling, M15 - Brass - Includes:	1
31	40-00520-03	Cap, Service Port	1
32	68-12368-00	Bracket	1
33	66U1-5371-6	Screw, Hex Head, #10-24 x 3/4 lg. - SST	2
34	34-06053-05	Washer, Mylar, 0.205 ID x 0.600 OD	2
35	69NT41-487	Tube Assembly - Includes:	1
36	14-01092-03	Indicator, Liquid Moisture - Brass	1
37	69NT43-420	Bracket Assembly	1
38	34-00928-09	Rivet, Blind, 5/32 Diameter, Grip Range - 1/8-1/4	2
39	14-00212-03SV	Valve, Quench, Thermostatic Expansion - Includes:	1
NS	14-00212-21	Kit, Repair - Includes:	1
NS	<b>NSS</b>	Power Head	1
40	12-00495-02SV	Sensor, Ambient Thermistor <b>(AMBS)</b>	1
41	DE40BA203	Tee, Reducing, 1/2 x 1/2 x 3/8	1
42	34-00373-54	Clamp, Cushion, 0.44 Diameter	1
43	34-06053-03	Washer, Mylar, 0.25 I.D. x 1.00 O.D.	3
44	66U1-5371-6	Screw, Machine Hex Head, #10-24 x 0.75 lg. - SST	3
45	34-00373-07	Clamp, Cushion, 0.62 Diameter	2
<b>NOTE</b>			
Must order tubing accessory kit 76-00677-00 when ordering P/N 69NT42-914 for field installation on units provisioned for a water-cooled condenser.			

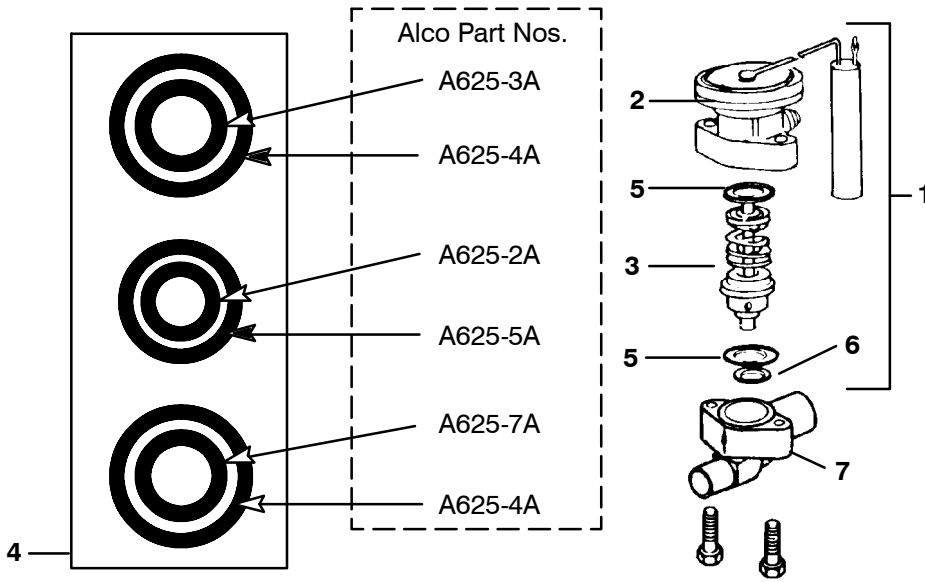
## 2.16 SRS AND STS SECTION



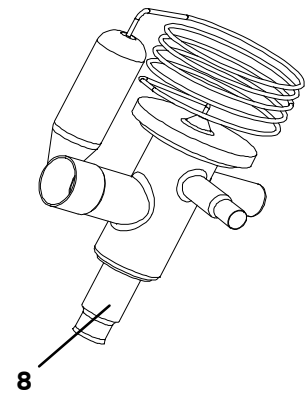
Item	Part Number	Description	Qty
1	12-00395-01SV	Sensor Assembly (STS & SRS)	1
2	58-04277-00SV	Cap, Probe - Includes:	2
3	58-04278-00	Grommet <b>NSS</b>	2
4	58-04279-00	Cover, Probe	1
5	66U1-5321-7	Washer, Flat, 1/4 - SST	2
6	66U1-5371-7	Screw, Machine, Hex Head, #10-24 x 0.50 lg. - SST	2
7	58-04276-00	Holder, Probe	1

**2.17 THERMOSTATIC EXPANSION VALVE - Alco and Hermetic (Refer to Section 2.21)**

**OPTION - 1**

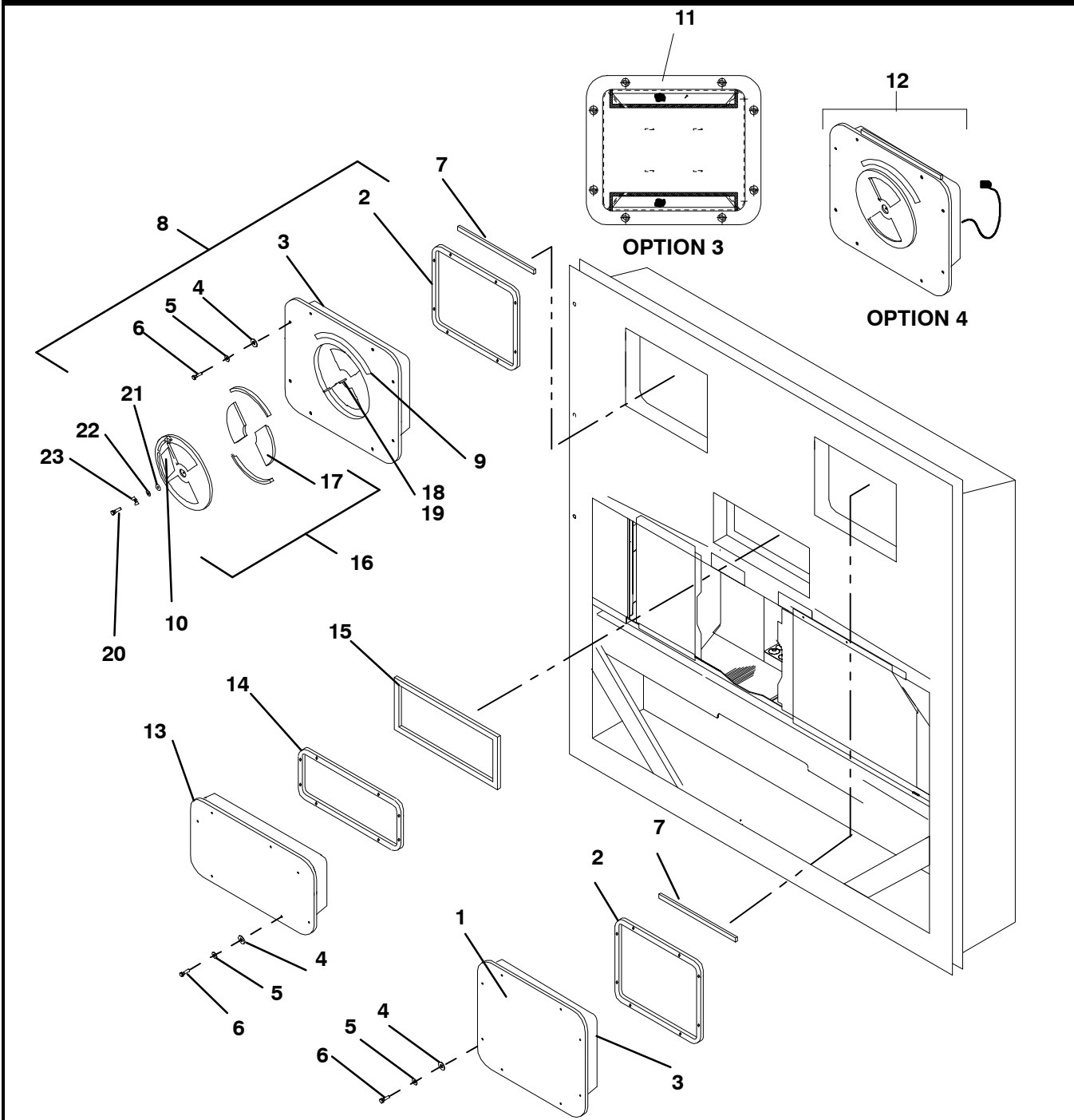


**OPTION - 2 & 3**



Item	Part Number	Description	Qty
<b>OPTION 1 EVAPORATOR COIL WITH SEMI-HERMETIC TXV</b>			
1	14-00244-02	Kit, Repair - Includes:	1
2	NSS	Power Head Assembly and Gasket, Item 5	1
3	NSS	Cage Assembly and Gasket, Item 6	1
4	66U1-6225	Gasket Set, Universal - Includes:	1
5	NSS	Gasket, Body Flange A625-4A	2
6	NSS	Gasket, Seat - A625-2A	1
7	66U1-1214-13	Flange, Body	1
<b>OPTION 2 AND 3 - EVAPORATOR COIL WITH HERMETIC TXV</b>			
8	14-00273-03	Valve, Thermostatic Expansion	1

## 2.18 UPPER FRESH AIR MAKE-UP AND ACCESS PANEL SECTION



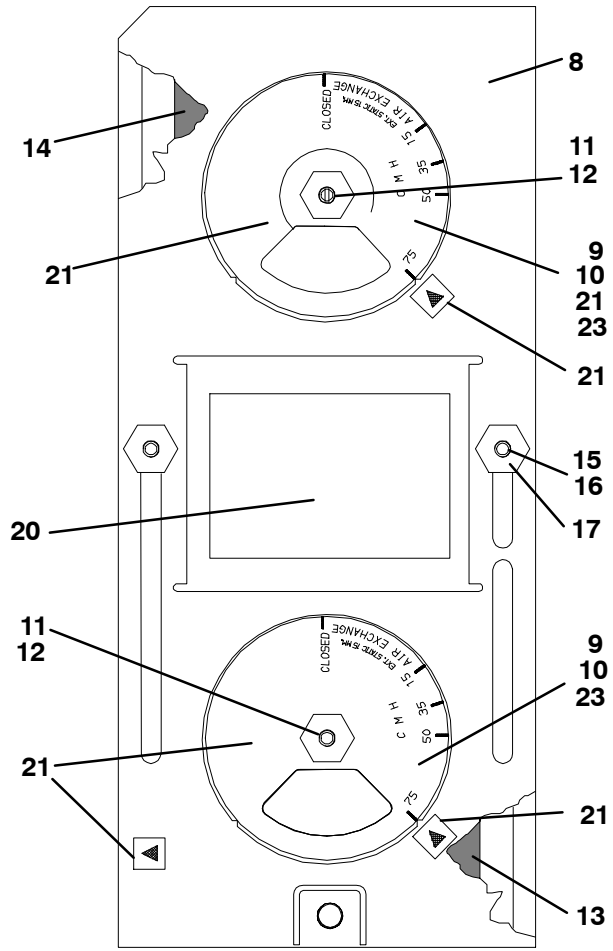
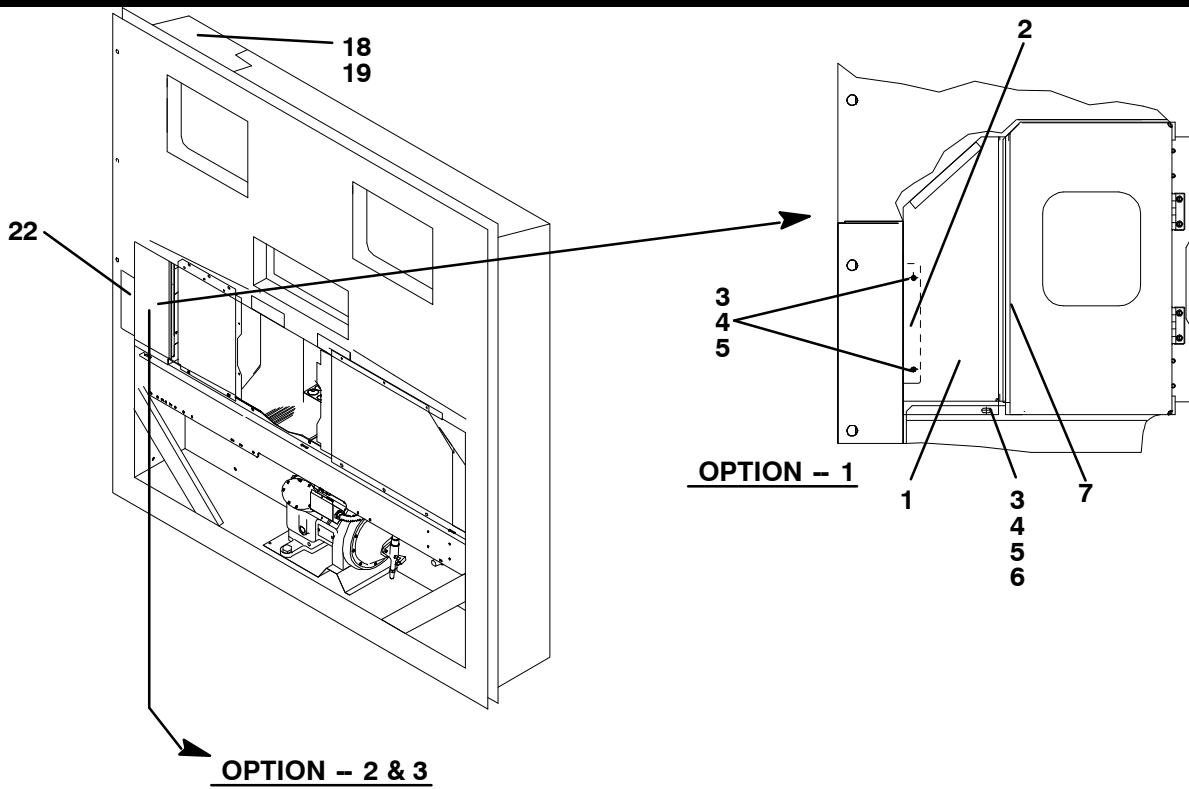
## 2.18 UPPER FRESH AIR MAKE-UP AND ACCESS PANEL SECTION

Item	Part Number	Description	Qty
<b>OPTION 1 EVAPORATOR FAN ACCESS PANEL - PLAIN</b>			
1	79-01697-06SV	Panel, Access ( <b>See NOTE 1</b> ) - Includes:	A/R
2	42-00296-01	Gasket	1
3	42-00327-00	Gasket, - 0.26 x 0.50 Halfmoon	1
4	34-06053-13	Washer, Mylar, 1/4 ID X 0.80 OD	8
5	34-006212-12	Washer, Flat, 1/4 - SST	8
6	34-06154-00	Screw, Hex Head, 1/4-20 x 1.00 lg. - TIR	8
7	66U1-2552-185	Gasket, 0.75 x 1.5 x 16.63	1

<b>OPTION 2 EVAPORATOR FAN ACCESS PANEL - WITH FRESH AIR MAKEUP (Continued)</b>			
8	79-01694-00	Panel, Fresh Air Make-up with Retaining Washers - Includes:	A/R
2	42-00296-01	Gasket	1
3	42-00327-00	Gasket, - 0.26 x 0.50 Halfmoon	1
7	66U1-2552-185	Gasket, 0.75 x 1.5 x 16.63	1
9	-	Label, Fresh Air ( <b>See Section 2.37 for Language Selection</b> )	1
10	62-02783-00	Label, Fresh Air	1
21	34-06053-19	Washer, Mylar, 1.00 OD x 0.312 ID	1
22	66U1-5321-13	Washer, Flat, 5/16 - SST	1
23	66U1-5362-2	Nut, Wing, 5/16-18 - SST	1
<b>OPTION 3 WITH FRESH AIR MAKEUP AND SCREEN - USE ALL OF OPTION 2 AND ITEM BELOW</b>			
11	58-04251-00	Screen, Medfly	2
<b>OPTION 4 EVAPORATOR FAN ACCESS PANEL - WITH FRESH AIR MAKEUP AND VENT POSITION SENSOR (VPS)</b>			
12	79-01902-00	Panel (orange), Fresh Air Make-up with VPS - Includes:	A/R
	79-01902-01	Panel (white), Fresh Air Make-up with VPS - Includes:	A/R
2	42-00296-01	Gasket	1
3	42-00327-00	Gasket, - 0.26 x 0.50 Halfmoon	1
7	66U1-2552-185	Gasket, 0.75 x 1.5 x 16.63	1
9	-	Label, Fresh Air ( <b>See Section 2.37 for Language Selection</b> )	1
10	62-02783-00	Label, Fresh Air	1
21	34-06053-19	Washer, Mylar, 1.00 OD x 0.312 ID	1
22	66U1-5321-13	Washer, Flat, 5/16 - SST	1
23	66U1-5362-2	Nut, Wing, 5/16-18 - SST	1
<b>HEATER ACCESS PANEL</b>			
13	79-01697-14	Panel, Access - Includes:	1
14	42-01052-02	Gasket	1
15	34-06212-12	Gasket, Access Panel	1
5	34-06053-13	Washer, Flat, 1/4 - SST	8
4	34-06053-00	Washer, Mylar, 1/4 ID X 0.80 OD	8
6	34-06154-00	Screw, Hex Head, 1/4-20 x 1.00 lg. - TIR	8
<b>STUD ASSEMBLY KITS (REPLACEMENT)</b>			
16	74-00201-02	Kit, Gasket and Stud Assembly ( <b>See NOTE 2</b> ) - Includes:	1
17	42-00407-00	Gasket (One Piece)	1
18	74-00201-01	Kit, Disc and Stud Assembly ( <b>See NOTE 3</b> ) - Includes:	1
19	<b>NSS</b>	Stud Assembly, 5/16-18	1
20	34-06185-01	Screw, Machine Pan Head, #8-32 x 1/2 lg. - SST	1
21	34-06053-19	Washer, Mylar, 1.00 OD x 0.312 ID	1
22	66U1-5321-13	Washer, Flat, 5/16 - SST	1
23	66U1-5362-2	Nut, Wing, 5/16-18 - SST	1
<b>NOTES</b>			
1. Access panels with Transfresh option should be ordered from Transfresh, <b>See Section 2.20</b> for address.			
2. Disc and stud assembly kit, which will modify stud to 5/16-18, also includes new disc and gasket.			
3. Must order 74-00201-01 stud assembly kit, which will modify stud to 5/16-18, and include 42-00407-01 (1 piece) gasket.			

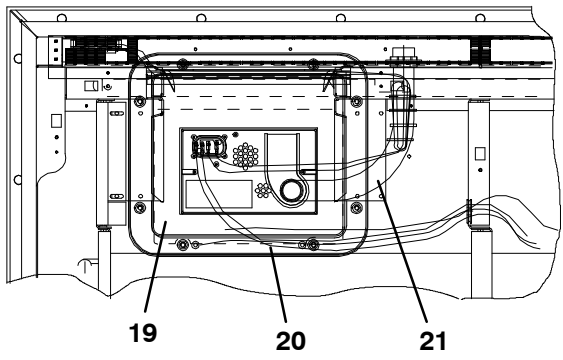
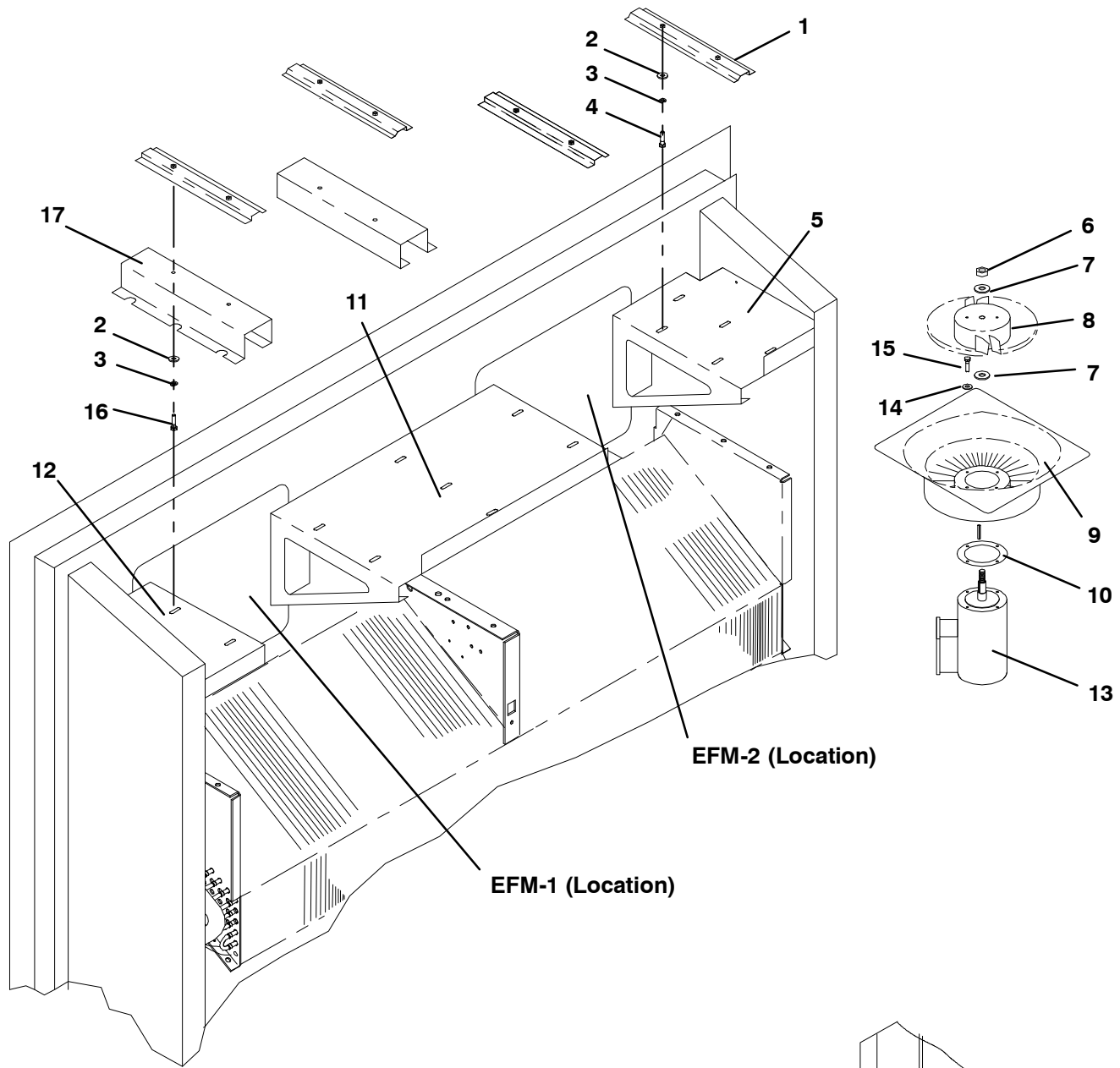


**2.19 LOWER FRESH AIR MAKE-UP VENT**

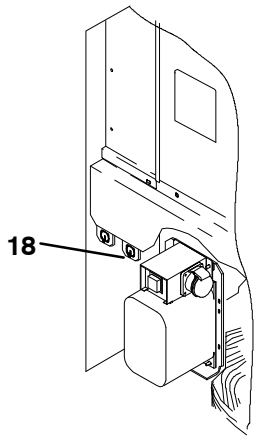


<b>2.19 LOWER FRESH AIR MAKE-UP VENT (Continued)</b>			
<b>Item</b>	<b>Part Number</b>	<b>Description</b>	<b>Qty</b>
<b>OPTION 1 - LOWER FRESH AIR (NONE)</b>			
1	69NT35-4047	Panel, Blank	1
2	69NT43-307	Bracket, Panel	1
3	66U1-5361-25	Screw, Hex Head, 1/4-20 x 3/4 lg. - SST	3
4	34-06053-18	Washer, Mylar, 1/4 ID x 1.00 OD	3
5	66U1-5321-3	Washer, Flat, 1/4, Type A- SST	3
6	69NT35-2692-1	Washer, Fender 1/4 - SST	1
7	42-00465-00	Gasket	1
<b>OPTION 2 - INSTALLED</b>			
8	69NT41-852-1	Cover, Fresh Air Makeup - Includes:	1
9	69NT40-976-3	Cover Assembly, Air Bleed - Includes:	2
10	42-00233-01	Gasket, Air Exchange	2
11	34-06092-00	Nut, Hex, 1/4-20 UNC-2B - SST	2
	34-06183-00	Nut, Hex, (with mini handle), 1/4-20 UNC-2B - SST	2
12	34-06053-00	Washer, Mylar, 1/4 ID x 1.00 OD	2
13	42-00295-01	Gasket, Cover	1
14	42-00295-00	Gasket, Cover	1
15	69NT41-782	Bushing	2
16	66U1-5321-7	Washer, Flat, 1/4 - SST	2
17	34-06092-00	Nut, Hex, 1/4-20 UNC-2B - SST	A/R
	34-06183-00	Nut, Hex, (with mini handle), 1/4-20 UNC-2B - SST	A/R
18	69NT35-8348	Baffle, Unpainted	1
19	34-00928-09	Rivet, Blind, 0.156 Diameter, Grip Range - 3/16-1/4	4
20	69NT35-7012	Label, Fresh Air	1
21	76-50116-03	Label Kit - Includes:	1
	62-10540-04	Label, Air Exchange, CMH - <i>English</i>	2
	66CH1-1002-33	Label, Arrow	3
	76-50116-00	Label Kit - Includes:	1
	69NT35-1417	Label, Air Exchange, CMH - <i>English</i> (Maersk Specification)	2
	66CH1-1002-33	Label, Arrow (Maersk Specification)	3
	76-50116-01	Label Kit - Includes:	1
	69NT35-9238	Label, Air Exchange, CFM - <i>English/Spanish</i>	2
	66CH1-1002-33	Label, Arrow	3
	76-50116-02	Label Kit - Includes:	1
	62-10540-00	Label, Air Exchange, CMH - <i>English/Spanish/Chinese</i>	2
	66CH1-1002-33	Label, Arrow	3
	76-50116-04	Label Kit - Includes:	1
	62-10540-00	Label, Air Exchange, CMH - <i>English/Spanish/Chinese</i> (NYK Specification)	2
62-10381-00	Label, Arrow (NYK Specification)	3	
22	69NT35-1287-1	Label, Fresh Air Exchange, CMH - <i>English</i> (Maersk Specification)	1
	69NT35-9228	Label, Fresh Air Exchange, CFM - <i>English/Spanish</i>	1
	62-10537-00	Label, Fresh Air Exchange, CMH - <i>English/Japanese/Chinese</i>	1
	62-10381-00	Label, Fresh Air Exchange, CMH - <i>English</i>	1
<b>OPTION 3 - INSTALLED WITH SCREENS - USE ALL OF OPTION 2 PLUS ITEM BELOW</b>			
23	58-04263-01	Screen Assembly, Medfly	2

**2.20 EVAPORATOR FAN ASSEMBLY AND CONTROLLED ATMOSPHERE - TRANSFRESH SECTION**



**Upper back left of unit with evaporator fan assembly removed**



**Partial view of the lower left corner of the unit**

**2.20 EVAPORATOR FAN ASSEMBLY AND CONTROLLED ATMOSPHERE - TRANSFRESH SECTION  
(Continued)**

Item	Part Number	Description	Qty
1	69NT43-295	Mounting Bracket, Evaporator Fan Assembly	4
2	69NT35-2692-1	Washer, Fender	8
3	34-00663-11	Washer, Lock, 1/4 - SST	8
4	34-06165-09	Screw, Hex Head, 1/4-20 x 1-1/4 lg. - SST	8
5	69NT43-284	Fan Deck, Right	1
6	34-00795-17	Nut, Self Locking, 5/8-18 - SST	2
7	34-00616-06	Washer, Special, 5/8 - SST	4
8	38-00557-00	Fan, Evaporator	2
9	48-00262-00	Stator, Evaporator	2
10	58-04066-00	Protector - Mylar	2
11	69NT43-285	Fan Deck, Center	1
12	69NT43-283	Fan Deck, Left	1
13	54-00585-20	Motor, Evaporator Fan - Includes:	2
NS	04-50027-00	Bearing, Front (Shaft End)	1
NS	04-50027-01	Bearing, Rear	1
NS	22-50088-01	Capacitor (15 $\mu$ F) Low Speed	1
NS	22-50088-00	Capacitor (20 $\mu$ F) High Speed	1
NS	22-01613-34	Pin #16	1
NS	22-01892-00	Plug Assembly, Motor (Located on Wire Harness) - Includes:	1
NS	22-01614-03	Plug	1
NS	22-01613-15	Contacts	A/R
NS	22-01892-01	Receptacle Assembly, Motor - Includes:	1
NS	22-01614-02	Receptacle	1
NS	22-01614-05	Strain Relief	1
NS	22-01613-14	Contacts	A/R
14	66U1-5321-3	Washer, Flat, 1/4 - SST	8
15	34-06165-09	Screw, Hex Head, 1/4-20 x 1-1/8 lg. - SST	8

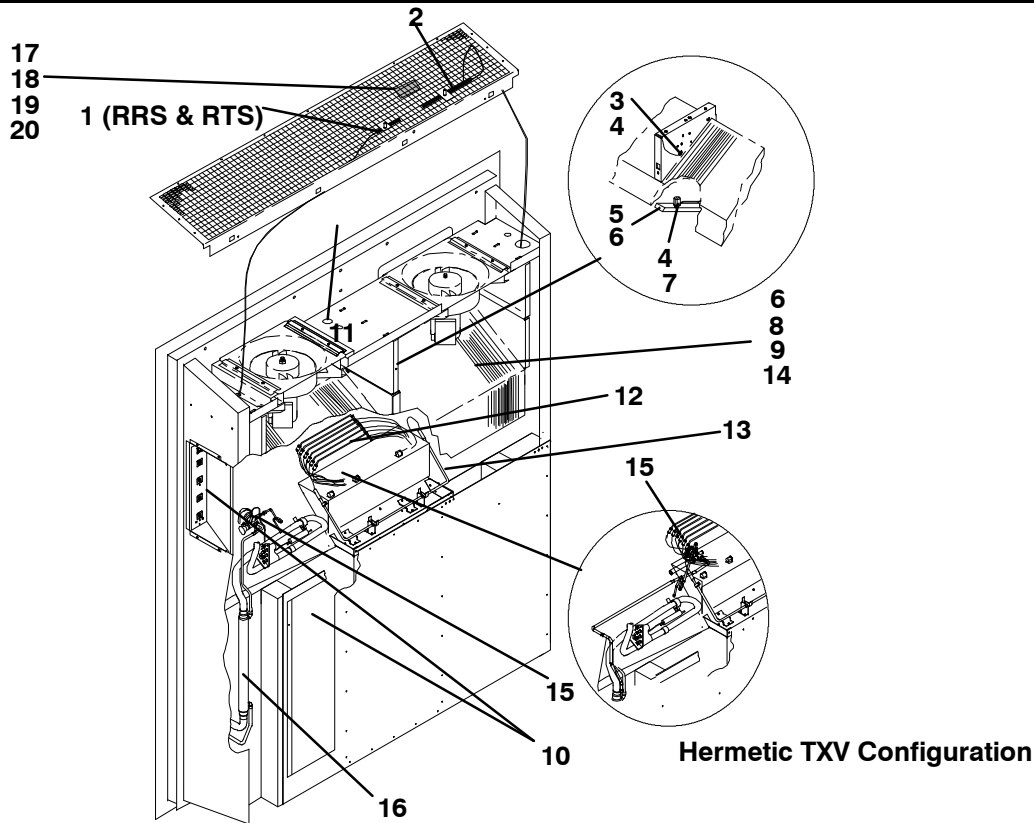
**CONTROLLED ATMOSPHERE - TRANSFRESH**

-	76-00681-01	Kit, Transfresh Field Installation (For units with NO Transfresh Provision) - Includes:	-
16	34-00655-28	Screw, Hex Head, 1/4-20 x 3-1/2 lg. - SST	4
17	69NT35-6348	Bracket	2
NS	58-04290-00	Pipe Assembly, PVC	1
*18	69NT35-8734-4	Cable Assembly, Transfresh Communications Connector (TCC)	1
*19	69NT35-8734-16	Panel Assembly, Transfresh	1
*20	69NT35-8734-12	Cable, Power - A2C (Transfresh)	1
*21	69NT35-8734-5	Hose Assembly, Air (Transfresh)	1
*NS	69NT35-8734-14	Cable Assembly, Rear (Transfresh)	1
*NS	69NT35-8734-6	Fuse Assembly, In-line (Transfresh)	1

**NOTE**

\* Contact - TransFresh Corp., P.O. Box 1788, Salinas, CA 93902 to order these parts.

## 2.21 EVAPORATOR COIL SECTION - REAR PANELS REMOVED



### EVAPORATOR COIL SECTION - COMMON PARTS

Item	Part Number	Description	Qty
1	12-00500-01SV	Sensor Assembly (RRS & RTS)	1
2	-	Sensor, Thermistor, (Temperature Recorder) - Refer to Section 2.28	-
3	12-00495-02SV	Sensor, Thermistor, Defrost (DTS)	1
4	34-01178-22	Screw, Hex Head, #8-32 x 1/2 lg. - SST (For mounting DTS)	3
5	AA06JA166	Capscrew, Hex Head, 1/4-20 x 1/2 lg.	1
6	AU11JR171	Washer, Lock, 1/4 - SST	10
7	66U1-6912-16	Thermostat, Heat Termination (HTT)	1
8	66U1-5361-25	Capscrew, Hex Head, 1/4-20 x 3/4 lg. - SST	9
9	69NT35-2692-1	Washer, Fender, 1/4 - SST	A/R
10	-	USDA Option - Refer to Section 2.22	-
NS	66U1-3803-1	Tube, Heat Shrink - 1/2 x 2-3/4 lg.	A/R
11	58-00616-00	Plug, Hole (2 inch diameter) (Located on Fan Deck)	16
NS	69NT35-6522	Retainer (For Heaters)	3
NS	69NT35-6532	Clip (For Heaters)	A/R

### OPTION 1 - EVAPORATOR COIL WITH SEMI-HERMETIC TXV and STANDARD HEAT EXCHANGER

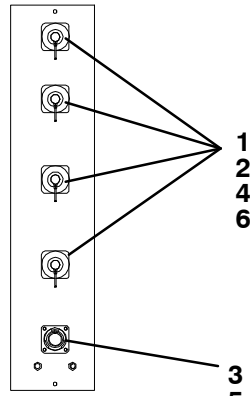
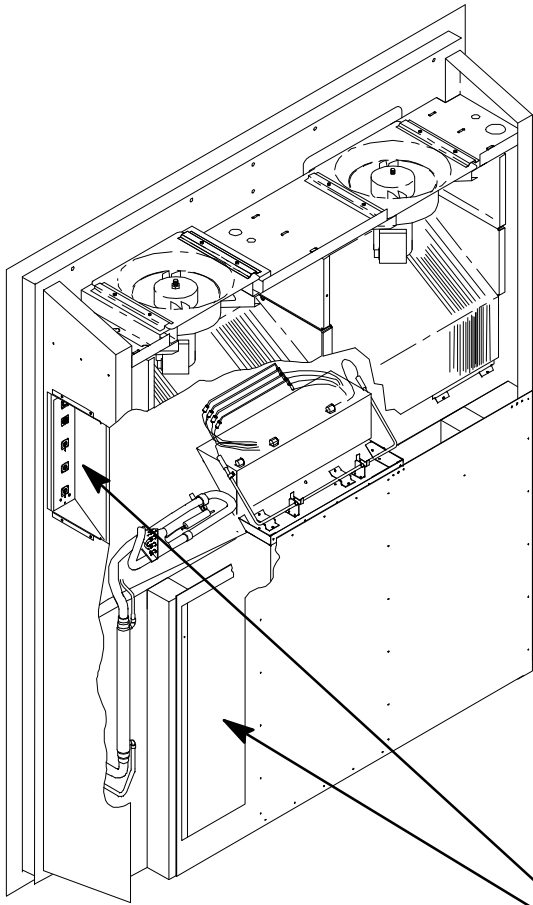
12	24-00006-02	Heater, Evaporator Coil	4
13	24-00003-00	Heater, Drain Pan	1
14	69NT43-208-3	Coil, Evaporator (Does not include thermostats or heaters)	1
14	69NT43-208-5	Coil, Evaporator - Varnished (Does not include thermostats or heaters)	1
15	-	Valve, Thermostatic Expansion - Refer to Section 2.17	-
16	65-00144-00	Exchanger, Heat	1

### OPTION 2 - EVAPORATOR COIL WITH HERMETIC TXV and STANDARD HEAT EXCHANGER

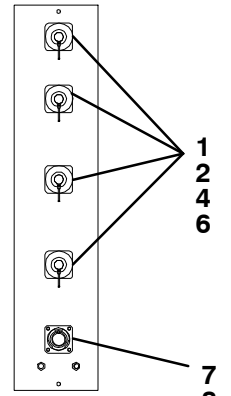
12	24-00006-02	Heater, Evaporator Coil	4
13	24-00003-00	Heater, Drain Pan	1

<b>2.21 EVAPORATOR COIL SECTION - REAR PANELS REMOVED (Continued)</b>			
<b>Item</b>	<b>Part Number</b>	<b>Description</b>	<b>Qty</b>
<b>OPTION 2 - EVAPORATOR COIL WITH HERMETIC TXV and STANDARD HEAT EXCHANGER (Continued)</b>			
14	76-00748-00	Coil, Evaporator without Varnish- Hermetic Includes:	1
NS	81-01635-20	Coil <b>(NSS)</b>	1
NS	69NT-35-6532	Clip	6
NS	34-00928-02	Rivet, Blind	12
NS	68-14329-00	Retainer	1
NS	66U1-5371-13	Screw	3
14	76-00748-02	Coil, Evaporator with Varnish- Hermetic Includes:	1
NS	81-01635-22	Coil <b>(NSS)</b>	1
NS	69NT-35-6532	Clip	6
NS	34-00928-02	Rivet, Blind	12
NS	68-14329-00	Retainer	1
NS	66U1-5371-13	Screw	3
15	14-00273-03	Valve, Thermostatic Expansion, Hermetic	1
16	65-00144-00	Exchanger, Heat	1
<b>OPTION 3 - EVAPORATOR COIL WITH HERMETIC TXV and LARGE HEAT EXCHANGER</b>			
12	24-00006-02	Heater, Evaporator Coil	4
13	24-00003-00	Heater, Drain Pan	1
14	76-00748-00	Coil, Evaporator without Varnish- Hermetic Includes:	1
NS	81-01635-20	Coil <b>(NSS)</b>	1
NS	69NT-35-6532	Clip	6
NS	34-00928-02	Rivet, Blind	12
NS	68-14329-00	Retainer	1
NS	66U1-5371-13	Screw	3
14	76-00748-02	Coil, Evaporator with Varnish- Hermetic Includes:	1
NS	81-01635-22	Coil <b>(NSS)</b>	1
NS	69NT-35-6532	Clip	6
NS	34-00928-02	Rivet, Blind	12
NS	68-14329-00	Retainer	1
NS	66U1-5371-13	Screw	3
<b>OPTION 5 - NEW COIL WITH HERMETIC TXV STANDARD HEAT EXCHANGER AND 6 HEATERS</b>			
12	24-00006-02	Heater, Evaporator Coil	6
14	76-00748-00	Coil, Evaporator without Varnish- Hermetic Includes:	1
NS	81-01635-20	Coil <b>(NSS)</b>	1
NS	44-00361-00	Clip	2
NS	68-13600-00	Retainer	1
NS	66U1-5371-13	Screw	3
14	76-00748-02	Coil, Evaporator with Varnish- Hermetic Includes:	1
NS	81-01635-20	Coil <b>(NSS)</b>	1
NS	44-00361-00	Clip	2
NS	68-13600-00	Retainer	1
NS	66U1-5371-13	Screw	3
<b>DEHUMIDIFICATION</b>			
-	76-00675-01	Kit, Humidity Sensor <b>(Field installation for provisioned units)</b> - Includes:	-
17	10-00413-00	Sensor, Humidity <b>(HS)</b>	1
18	66U1-5371-10	Screw, Hex Head, #10-24 x 1.00 lg. - SST	4
19	66U1-5321-8	Washer, Flat, #10 - SST	2
20	68-13181-00	Bracket Assembly, Humidity Sensor	1

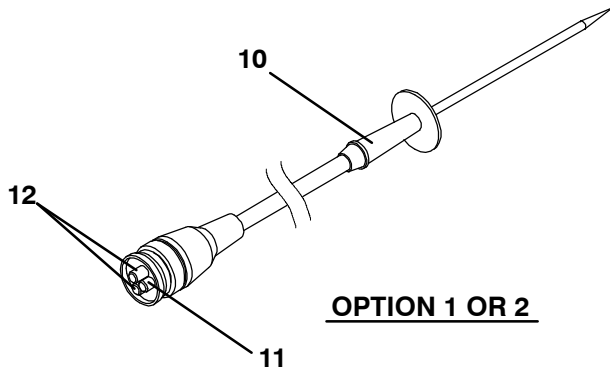
**2.22 USDA OPTION AND PROBES**



**OPTION - D**



**OPTION - V**

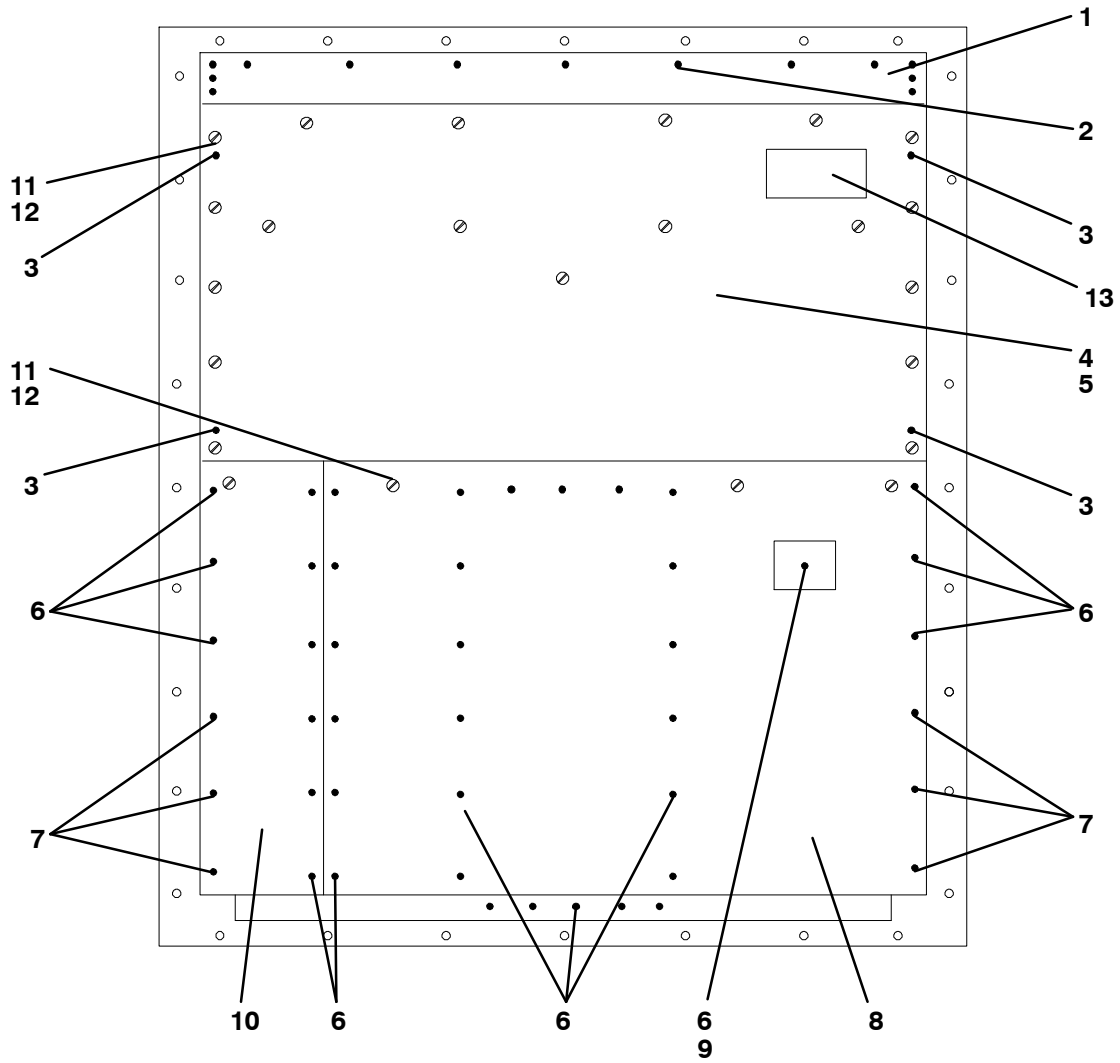


**OPTION 1 OR 2**

<b>2.22 USDA OPTION AND PROBES (Continued)</b>			
<b>Item</b>	<b>Part Number</b>	<b>Description</b>	<b>Qty</b>
<b>OPTION D</b>			
-	76-00684-00	Kit, USDA ( <b>For field installation, units provisioned for rear-mounted USDA - See Unit Matrix</b> ) - Includes:	-
-	76-00760-00	Kit, USDA ( <b>For field installation, units provisioned for side-mounted USDA - See Unit Matrix</b> ) - Includes:	-
1	07-00397-12	Plug, Sealing	4
2	22-01660-00	Receptacle (PR1, PR2, PR3, Cargo Probe 4) (3 Pin)	4
3	22-01660-03	Receptacle, Interrogator ( <b>ICR</b> ) (5 Pin)1	1
NS	69NT41-992	Plate Assembly, USDA - Includes:	1
4	69NT43-175	Cap, Dust, with Tether (3 Pin)	4
5	69NT43-176	Cap, Dust, with Chain (5 Pin)	1
6	22-01613-14	Contact, Pin, #16 ( <b>Used with 22-01660-00 &amp; 22-01660-03</b> )	13
NS	69NT40-507-1	Door Assembly ( <b>Included and Used with REAR-mount USDA only</b> )	1
NS	22-01660-04	Plug, Interrogator Socket (ICR) (5 Pin)	1
<b>OPTION V</b>			
1	22-01660-08	Plug, Sealing	4
2	22-01660-00	Receptacle (PR1, PR2, PR3, Cargo Probe 4) (3 Pin)	4
4	69NT43-175	Cap, Dust, with Tether (3 Pin)	4
6	22-01613-14	Contact, Pin, #16 ( <b>Used with 22-01660-00 &amp; 22-01660-03</b> )	13
7	22-02412-00	Receptacle, Interrogator (5 Pin)	1
8	22-02413-00	Cap, Dust, with Tether (5 Pin)	1
9	22-02398-02	Socket, Contact ( <b>Silver Plated</b> )	A/R
	22-02398-03	Socket, Contact ( <b>Gold Plated</b> )	A/R
<b>USDA PROBE KITS</b>			
<b>OPTION 1</b>			
10	12-00342-03	Sensor Assembly, 600" lg. (15M) (USDA Probe) - Includes:	A/R
11	22-50127-00	Plug, Socket (PR1, PR2, PR3, Cargo Probe 4)	1
12	22-01613-15	Contact, Socket, #16 ( <b>Used with 22-50127-00 &amp; 22-01660-04</b> )	A/R
<b>OPTION 2</b>			
10	12-00342-02	Sensor Assembly, 540" lg. (13.5M) (USDA Probe) - Includes:	A/R
	12-00342-04	Sensor Assembly, 600" lg. (15M) (USDA Probe) - Includes:	A/R
11	22-50127-00	Plug, Socket (PR1, PR2, PR3, Cargo Probe 4)	1
12	22-01613-15	Contact, Socket, #16 ( <b>Used with 22-50127-00 &amp; 22-01660-04</b> )	A/R
<b>NOTE</b>			
Do not mix silver pins with gold pins and sockets.			



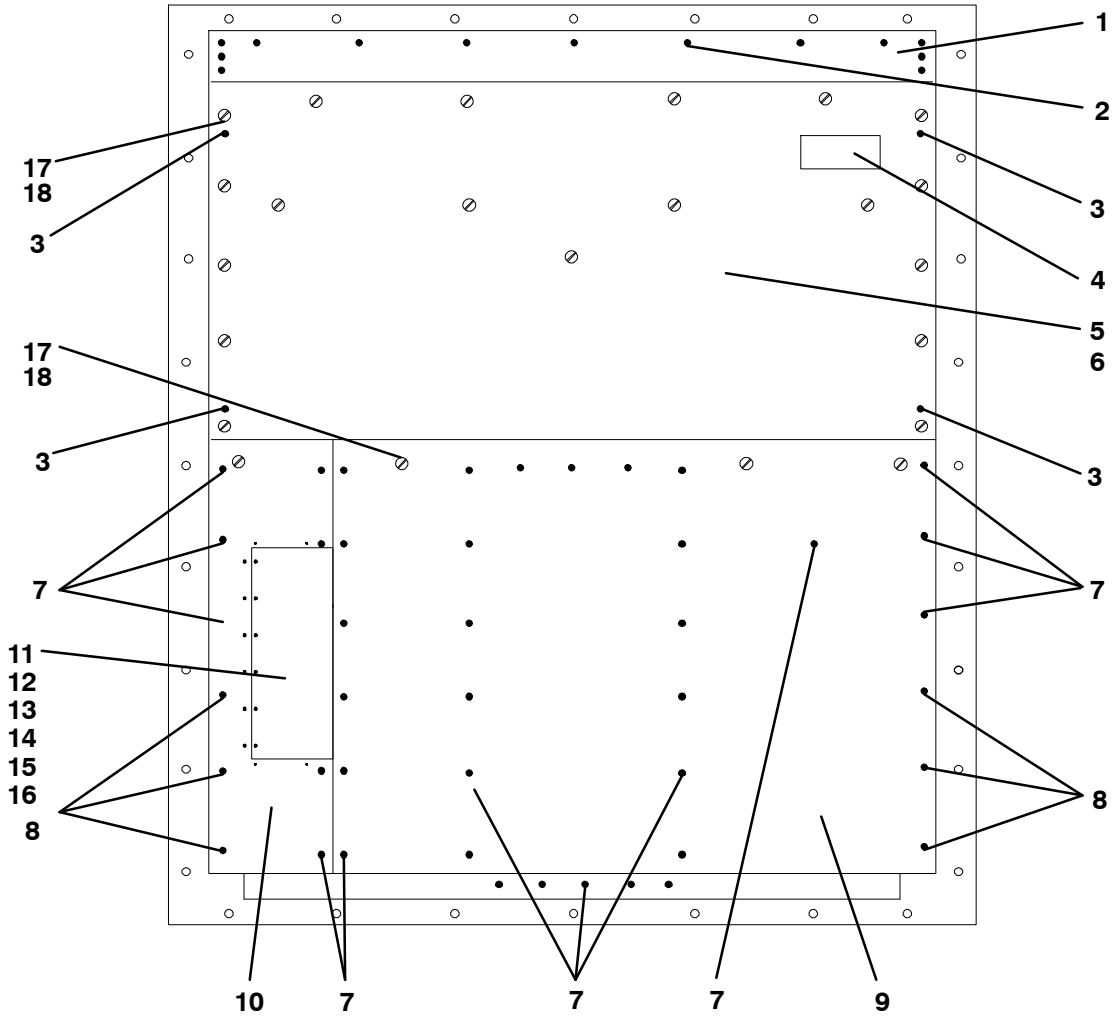
2.23 BACK PANEL ASSEMBLY - OPTION 1 - ALUMINUM BOLTED



**2.23 BACK PANEL ASSEMBLY - OPTION 1 - ALUMINUM BOLTED (Continued)**

<b>Item</b>	<b>Part Number</b>	<b>Description</b>	<b>Qty</b>
1	69NT43-464	Grille, Top (Unpainted)	1
2	34-00928-09	Rivet, Blind, 5/32 Diameter, Grip Range - 1/8-1/4	21
3	66U1-7982-2	Rivet, TIR, 3/16 Diameter, Grip Range - 5/64-11/64	4
4	69NT41-942-3	Panel Assembly, Upper - Includes:	1
NS	<b>NSS</b>	Drain Pan, Side (Location - Behind upper panel)	2
NS	<b>NSS</b>	Drain Pan, Center (Location - Behind upper panel - Top)	1
5	42-00334-00	Gasket (Location - Behind upper panel)	1
NS	66U1-8075	Gasket (25 ft., Cut to length)	A/R
6	34-00928-02	Rivet, Blind, 1/8 Diameter, Grip Range - 1/8-3/16	46
7	34-00928-03	Rivet, Blind, 1/8 Diameter, Grip Range - 3/16-1/4	3
8	68-13475-00	Panel, Bottom, (Painted)	1
8	68-13475-08	Panel, Bottom, (Unpainted)	1
9	69NT35-2257	Duct, Air	1
10	68-13475-01	Panel, Bottom (Provision for heat exchanger location), (Painted)	1
10	68-13475-09	Panel, Bottom (Provision for heat exchanger location), (Unpainted)	1
11	66U1-2403	Screw, Machine, Truss Head, #10-24 x 1/2 lg. - SST	20
12	69NT35-2692	Washer, Fender, #10 x 1.00 OD - SST	20
13	62-02822-01	Label, Carrier Transicold	1

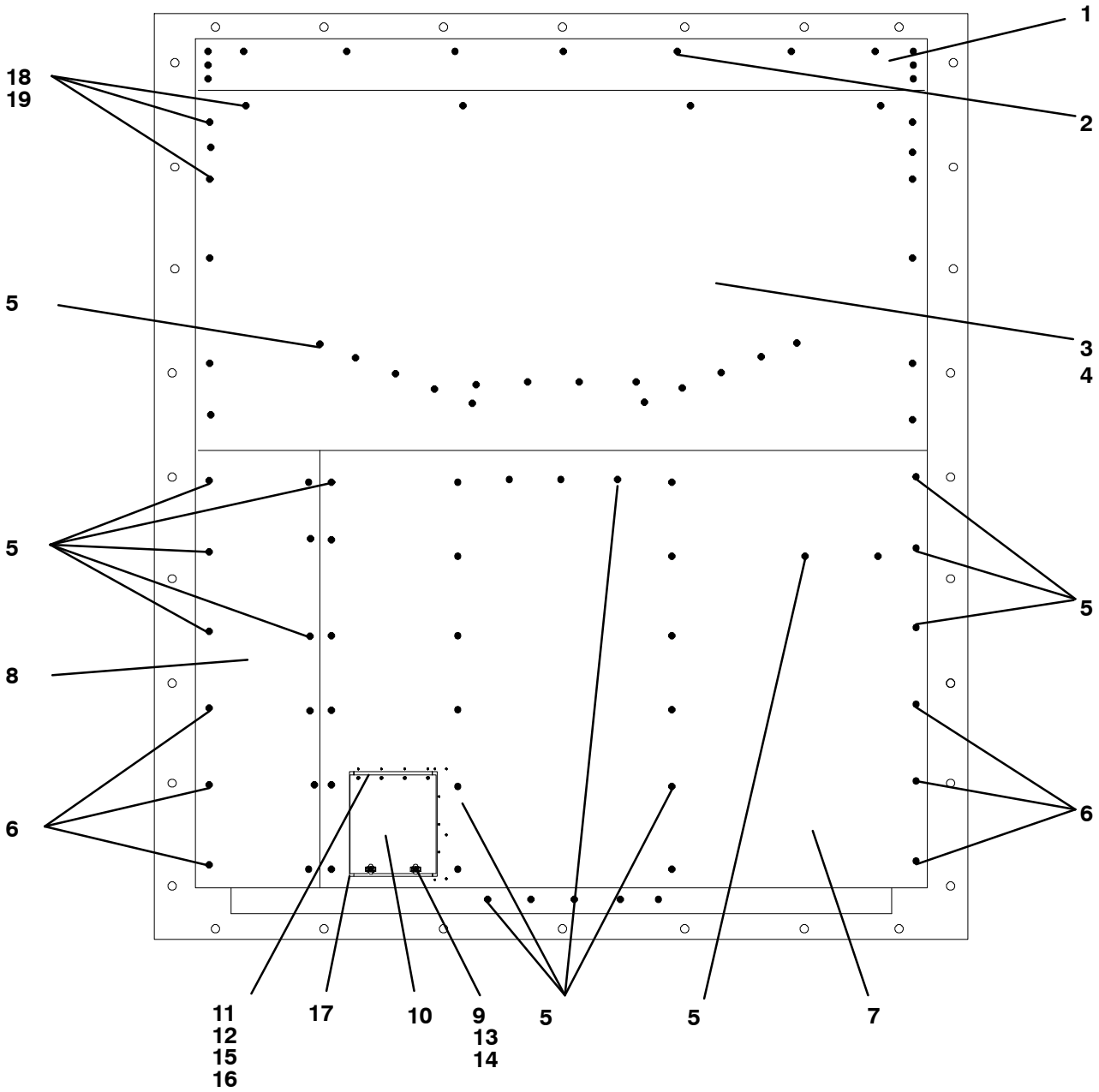
**2.24 BACK PANEL ASSEMBLY - OPTION 2 - ALUMINUM BOLTED WITH USDA DOOR**



**2.24 BACK PANEL ASSEMBLY - OPTION 2 - ALUMINUM BOLTED WITH USDA DOOR (Continued)**

<b>Item</b>	<b>Part Number</b>	<b>Description</b>	<b>Qty</b>
1	69NT43-464	Grille, Top	1
2	34-00928-09	Rivet, Blind, 5/32 Diameter, Grip Range - 1/8-1/4	17
3	66U1-7982-2	Rivet, TIR, 3/16 Diameter, Grip Range - 5/64-11/64	4
4	62-02822-01	Label, Carrier Transicold	1
5	69NT41-942-3	Panel Assembly, Upper - Includes:	1
NS	<b>NSS</b>	Drain Pan, Side (Location - Behind upper panel)	2
NS	<b>NSS</b>	Drain Pan, Center (Location - Behind upper panel)	1
6	42-00334-00	Gasket (Location - Behind upper panel)	1
7	34-00928-02	Rivet, Blind, 1/8 Diameter, Grip Range - 1/8-3/16	41
8	34-00928-03	Rivet, Blind, 1/8 Diameter, Grip Range - 3/16-1/4	6
9	68-12881-00	Panel, Bottom	1
10	68-12881-01	Panel, Bottom (Provision for heat exchanger location)	1
NS	66U1-8075	Gasket (25 ft., Cut to length)	A/R
11	69NT40-567-2	Door Assembly, Access- Includes:	1
12	44-00376-00	Hinge	1
13	69NT35-7662-2	Spacer, Hinge	1
14	34-01150-30	Washer, Retaining	2
15	34-01150-04	Stud, 1/4 Turn, 0.97 lg.	2
16	34-00928-02	Rivet, Blind, 1/8 Diameter, Grip Range - 1/4-5/16	6
17	66U1-2403	Screw, Machine, Truss Head, #10-24 x 1/2 lg. - SST	18
18	69NT35-2692	Washer, Fender, #10 x 1.00 OD - SST	18

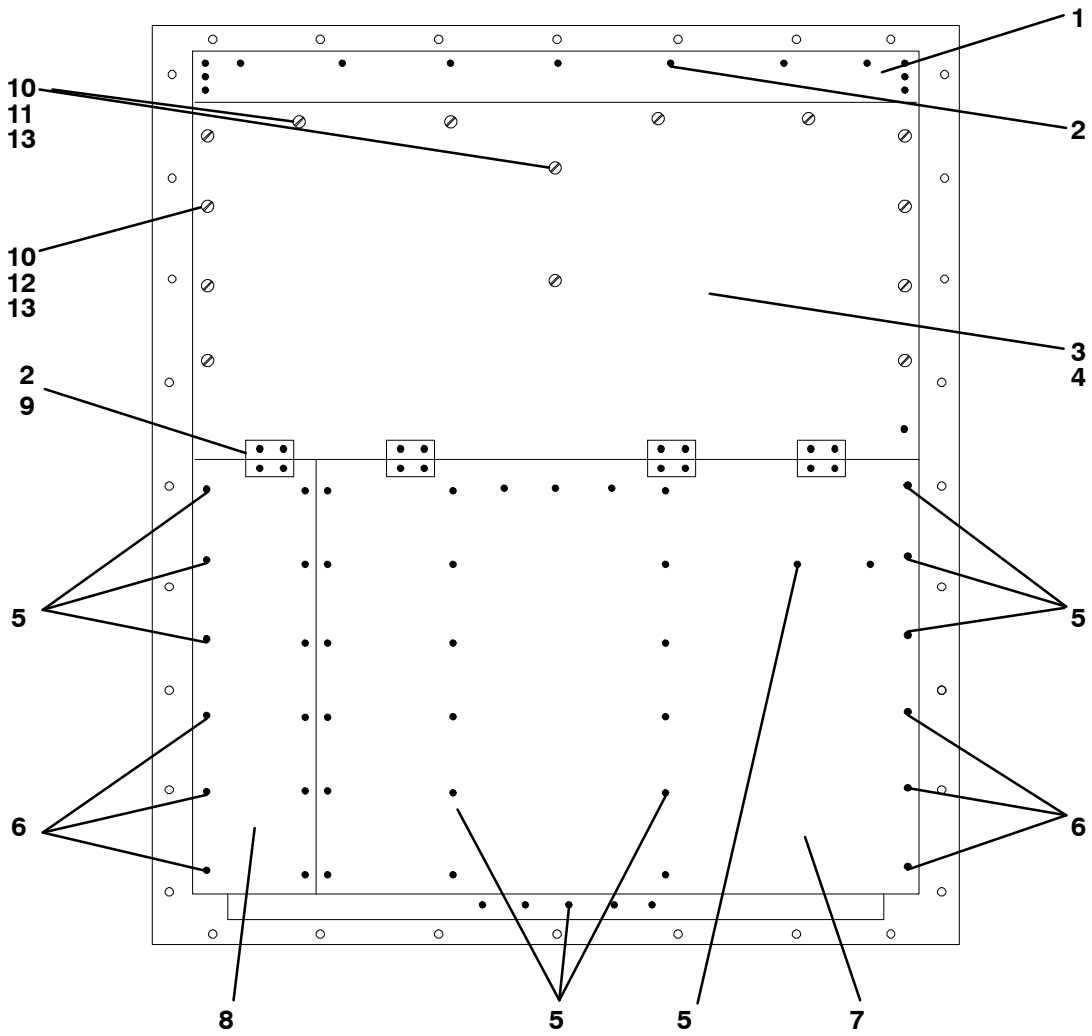
**2.25 BACK PANEL ASSEMBLY - OPTION 3 - ALUMINUM BOLTED WITH PROBE ACCESS DOOR**



**2.25 BACK PANEL ASSEMBLY - OPTION 3 - ALUMINUM BOLTED WITH PROBE ACCESS DOOR  
(Continued)**

<b>Item</b>	<b>Part Number</b>	<b>Description</b>	<b>Qty</b>
1	69NT43-464	Grille, Top	1
2	34-00928-09	Rivet, Blind, 5/32 Diameter, Grip Range - 1/8-1/4	17
3	69NT41-942-3	Panel Assembly, Upper - Includes:	1
NS	<b>NSS</b>	Drain Pan, Side	2
NS	<b>NSS</b>	Drain Pan, Center	1
4	42-00334-00	Gasket (Location - Behind upper panel)	1
5	34-00928-02	Rivet, Blind, 1/8 Diameter, Grip Range - 1/8-3/16	46
6	34-00928-03	Rivet, Blind, 1/8 Diameter, Grip Range - 3/16-1/4	8
7	68-13475-04	Panel, Bottom (Painted)	1
8	68-13475-01	Panel, Bottom (Painted)	1
NS	66U1-8075	Gasket (25 ft., Cut to length)	A/R
9	34-01150-31	Receptacle, Retaining	2
10	69NT43-471	Door Assembly, Probe Access - Includes:	1
11	66U1-2803-10	Hinge	1
12	69NT35-7662-3	Spacer, Hinge	1
13	34-01150-30	Washer, Retaining	2
14	34-01150-04	Stud, 1/4 Turn, 0.97 lg.	2
15	34-00928-04	Rivet, Blind, 1/8 Diameter, Grip Range - 1/4-5/16	8
16	69NT35-3286	Plate, Door Back - Upper	1
17	69NT35-3296	Plate, Door Back - Lower	1
18	66U1-2403	Screw, Machine, Truss Head, #10-24 x 1/2 lg. - SST	18
19	69NT35-2692	Washer, Fender, #10 x 1.00 OD - SST	18

2.26 BACK PANEL ASSEMBLY - OPTION 4 - ALUMINUM HINGED

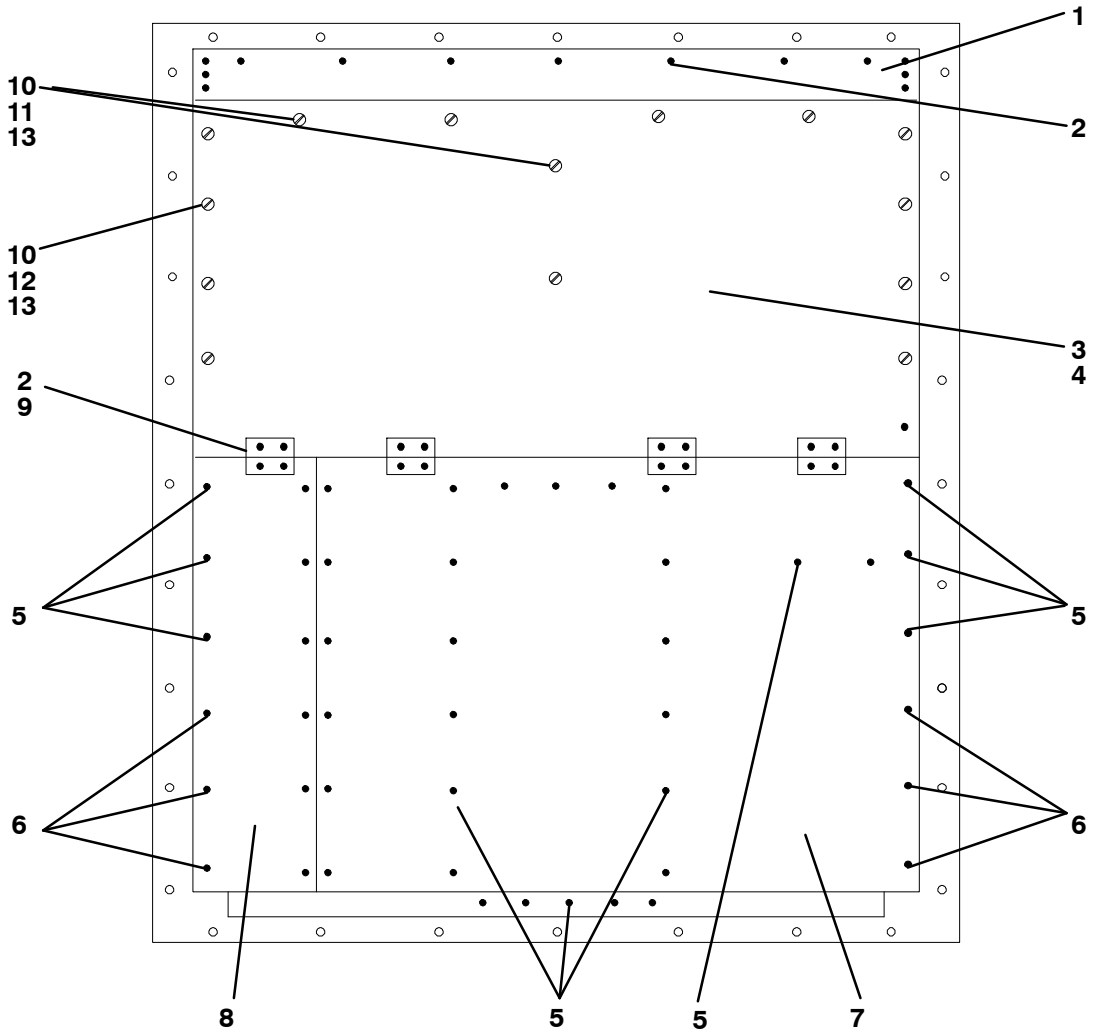


**2.26 BACK PANEL ASSEMBLY - OPTION 4 - ALUMINUM HINGED (Continued)**

<b>Item</b>	<b>Part Number</b>	<b>Description</b>	<b>Qty</b>
1	69NT43-464	Grille, Top	1
2	34-00928-09	Rivet, Blind, 5/32 Diameter, Grip Range - 1/8-1/4	37
3	69NT41-942-4	Panel Assembly, Upper - Includes:	1
NS	<b>NSS</b>	Drain Pan, Side	2
NS	<b>NSS</b>	Drain Pan, Center	1
4	42-00334-00	Gasket (Location - Behind upper panel)	1
5	34-00928-02	Rivet, Blind, 1/8 Diameter, Grip Range - 1/8-3/16	46
6	34-00928-03	Rivet, Blind, 1/8 Diameter, Grip Range - 3/16-1/9	3
7	68-13475-00	Panel, Bottom, (Painted)	1
	68-13475-08	Panel, Bottom, (Unpainted)	1
8	68-13475-01	Panel, Bottom (Provision for USDA location), (Painted)	1
	68-13475-09	Panel, Bottom (Provision for USDA location), (Unpainted)	1
NS	66U1-8075	Gasket (25 ft., Cut to length)	A/R
9	69NT35-3282	Hinge	4
10	34-01150-30	Washer, Retaining	14
11	34-01150-06	Stud, 1/4 Turn, 1.03 lg.	6
12	34-01150-03	Stud, 1/4 Turn, 0.94 lg.	8
13	34-01150-31	Receptacle, Retaining	14



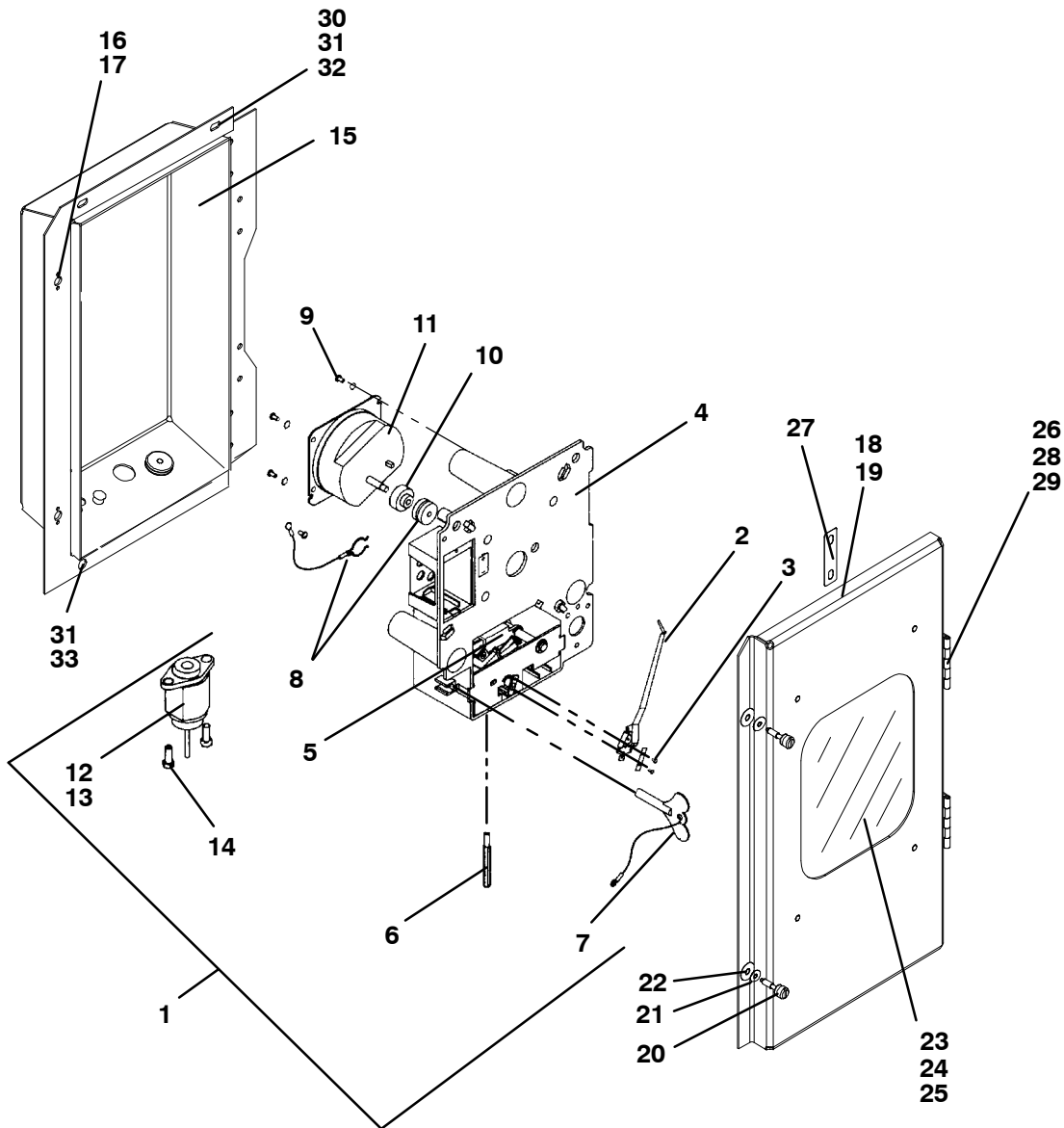
**2.27 BACK PANEL ASSEMBLY - OPTION 5 - STAINLESS STEEL HINGED**



**2.27 BACK PANEL ASSEMBLY - OPTION 5 - STAINLESS STEEL HINGED (Continued)**

<b>Item</b>	<b>Part Number</b>	<b>Description</b>	<b>Qty</b>
1	69NT43-464	Grille, Top	1
2	34-00928-09	Rivet, Blind, 5/32 Diameter, Grip Range - 1/8-1/4	37
3	69NT41-942-5	Panel Assembly, Upper - Includes:	1
NS	<b>NSS</b>	Drain Pan, Side	2
NS	<b>NSS</b>	Drain Pan, Center	1
4	42-00334-00	Gasket (Location - Behind upper panel)	1
5	34-00928-02	Rivet, Blind, 1/8 Diameter, Grip Range - 1/8-3/16	46
6	34-00928-03	Rivet, Blind, 1/8 Diameter, Grip Range - 3/16-1/9	3
7	69NT35-6598	Panel, Bottom. SST	1
8	69NT35-6598-1	Panel, Bottom (Provision for USDA location), SST	1
NS	66U1-8075	Gasket (25 ft., Cut to length)	A/R
9	69NT35-3282	Hinge	4
10	34-01150-30	Washer, Retaining	14
11	34-01150-06	Stud, 1/4 Turn, 1.03 lg.	6
12	34-01150-03	Stud, 1/4 Turn, 0.94 lg.	8
13	34-01150-31	Receptacle, Retaining	14

## 2.28 PARTLOW TEMPERATURE RECORDER

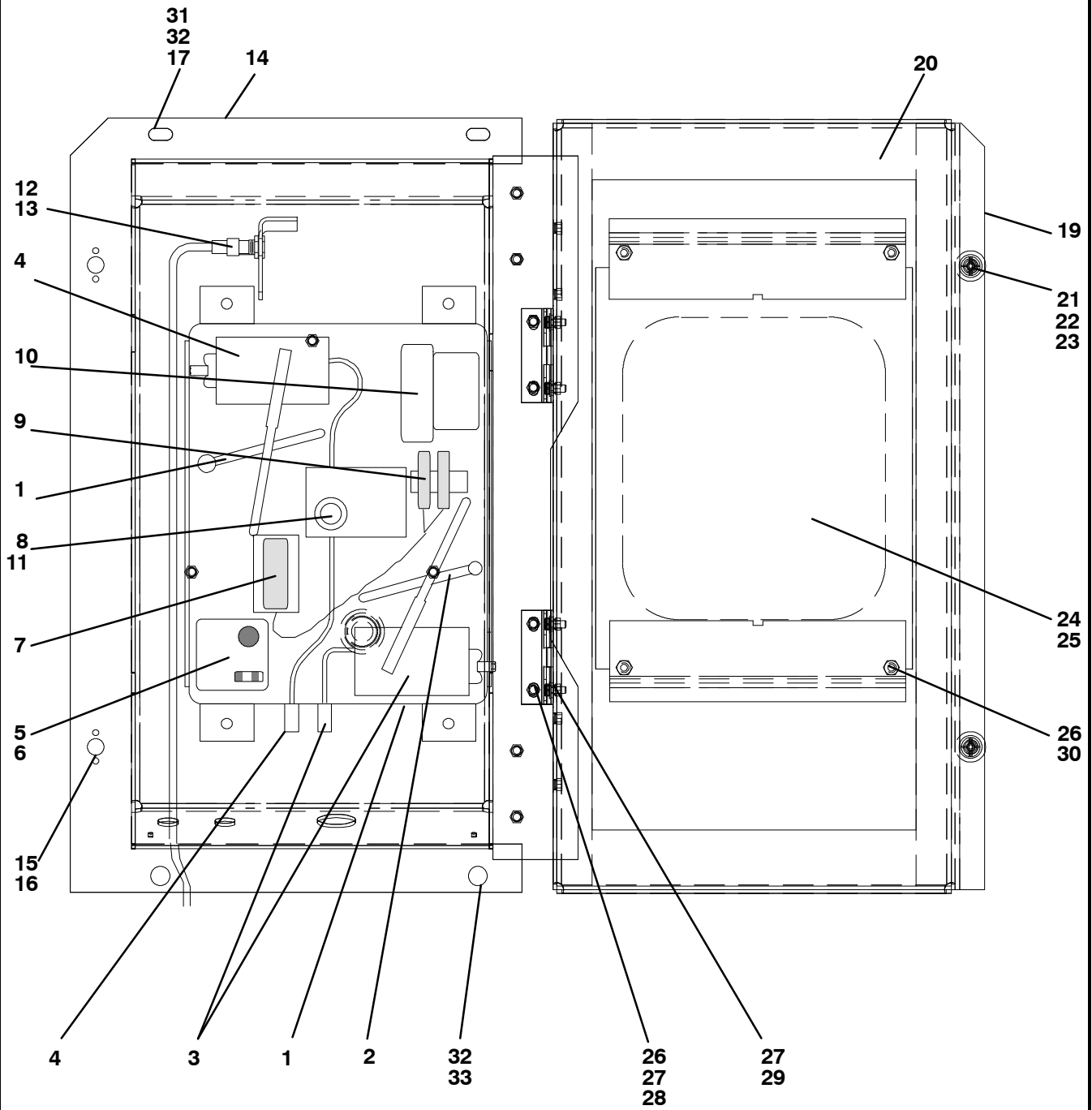


Item	Part Number	Description	Qty
<b>OPTION 1, OPTION 2, OPTION 3 AND OPTION 4</b>			
-	76-00701-04 <b>OPTION 1</b>	Recorder Kit-Partlow without Simpson Probe - Includes: Recorder, Box and Door Assemblies	1
1	12-00421-02	Temperature Recorder without Simpson Probe-Includes:	1
-	76-00701-00 <b>OPTION 2</b>	Recorder Kit-Partlow with Simpson Probe - Includes: Recorder, Box and Door Assemblies	1
1	12-00421-00	Temperature Recorder with Simpson Probe-Includes:	1
-	76-00701-01 <b>OPTION 3</b>	Recorder Kit-Partlow, Battery Operated without Simpson Probe - Includes: Recorder, Box and Door Assemblies <b>(For field installation, units provisioned for - Refer to Unit Matrix)</b>	1
1	12-00421-01	Temperature Recorder, Battery Operated without Simpson Probe -Includes:	1
-	76-00701-12 <b>OPTION 4</b>	Recorder Kit-Partlow, Battery Operated without Simpson Probe - Includes: Recorder, Box and Door Assemblies <b>(For field installation, units provisioned for - Refer to Unit Matrix)</b>	1
1	12-00421-03	Temperature Recorder, Battery Operated with Simpson Probe -Includes:	1

**OPTION 1 - PARTLOW WITHOUT PROBE & OPTION 2 - PARTLOW WITH PROBE (Continued)**

Item	Part Number	Description	Qty
2	09-00104-05	Kit, Stylus - Includes:	1
3	<b>NSS</b>	Screw, Round Head, #2-56 x 3/16 lg.	2
4	09-00296-00	Mechanism and Platen Assembly	1
5	09-00345-00	Main Lever and Push Rod Assembly (Includes Setscrews)	1
6	09-00344-00	Rod, Push	1
7	09-00114-00	Key, Clock Winding	1
8	09-00119-00	Nut and Chain, Chart ( <b>Sonceboz Clock</b> )	1
8	09-00180-00	Nut and Chain, Chart ( <b>Gluck Clock</b> )	1
9	PL	Screw, Round Head #6-32 x 5/16	7
10	09-00118-00	Flange, Chart Drive ( <b>Sonceboz</b> )	1
10	09-00180-01	Flange, Chart Drive ( <b>Gluck</b> )	1
11	09-00123-00	Clock, 31 Day, CCW (Counterclockwise)	1
11	09-00302-00	Clock, 31 Day, CCW (Counterclockwise) Battery Operated <b>Used with P/N 12-00421-01 &amp; 03</b>	1
12	09-00137-00	O-Ring, Element Flange	4
13	09-00209-00	Element, 9 ft. lg. - Includes:	1
NS	09-00222-00	Sensor, Thermistor (Accessory 344 and Jack) - 15 ft. lg.	1
13	09-00236-00	Element, 10 ft. lg. <b>Used with P/N 12-00421-01 &amp; -02</b>	1
14	09-00136-00	Screw, Flange	2
15	76-00701-06SV	Box Assembly - Includes:	1
16	34-01142-01	Receptacle - #12	2
17	34-00928-01	Rivet, Blind, 0.125 Diameter, Grip Range 0.063 - 0.125 - SST	4
NS	09-00303-00	Battery Cover (Includes Hardware)	1
NS	22-02243-00	Pin (Use with Partlow Thermistor Assembly)	3
NS	09-00128-00	Charts °F - 31 Day (Box of 50) (-20°F to +80°F)	A/R
NS	09-00128-01	Charts °C - 31 Day (Box of 50) (-25°C to +25°C)	A/R
18	76-00701-05	Door Assembly - Includes:	1
19	42-01098-01	Gasket, Door	1
20	66U1-6811-8	Screw, Retaining - SST	2
21	34-06053-00	Washer, 1/4 I.D. x 1 O.D. - Mylar	2
22	34-06169-00	Washer, Retaining - SST	2
23	69NT35-5022-5	Window	1
24	69NT35-5352-1	Gasket	1
25	34-00795-09	Nut, Selflock, 1/4-20 - SST	4
26	44-00374-00	Hinge - SST	2
27	58-04101-07	Protector, 0.010 Thick x 0.75 x 2.63 - Mylar	4
28	34-06179-00	Screw, Hex Head, Slotted, #10-24 x 7/16 lg. - SST	8
29	34-06179-04	Screw, Hex Head, Slotted, #10-24 x 5/16 lg. - SST	4
30	66U1-5321-7	Washer, Flat, 1/4 - SST	2
31	66U1-5361-25	Screw, Cap, Hex Head, 1/4-20 x 0.75 lg. - SST	4
32	34-06053-13	Washer, Retaining, 0.19 I.D. x 0.80 O.D. - Mylar	2
33	69NT35-2692-1	Washer, Fender, 1/4 I.D. x 0.993-1.015 O.D.	2
NS	PL	Battery - 1.5 volt (D cell size) Alkaline	1

**2.29 SAGINOMIYA TEMPERATURE RECORDER**



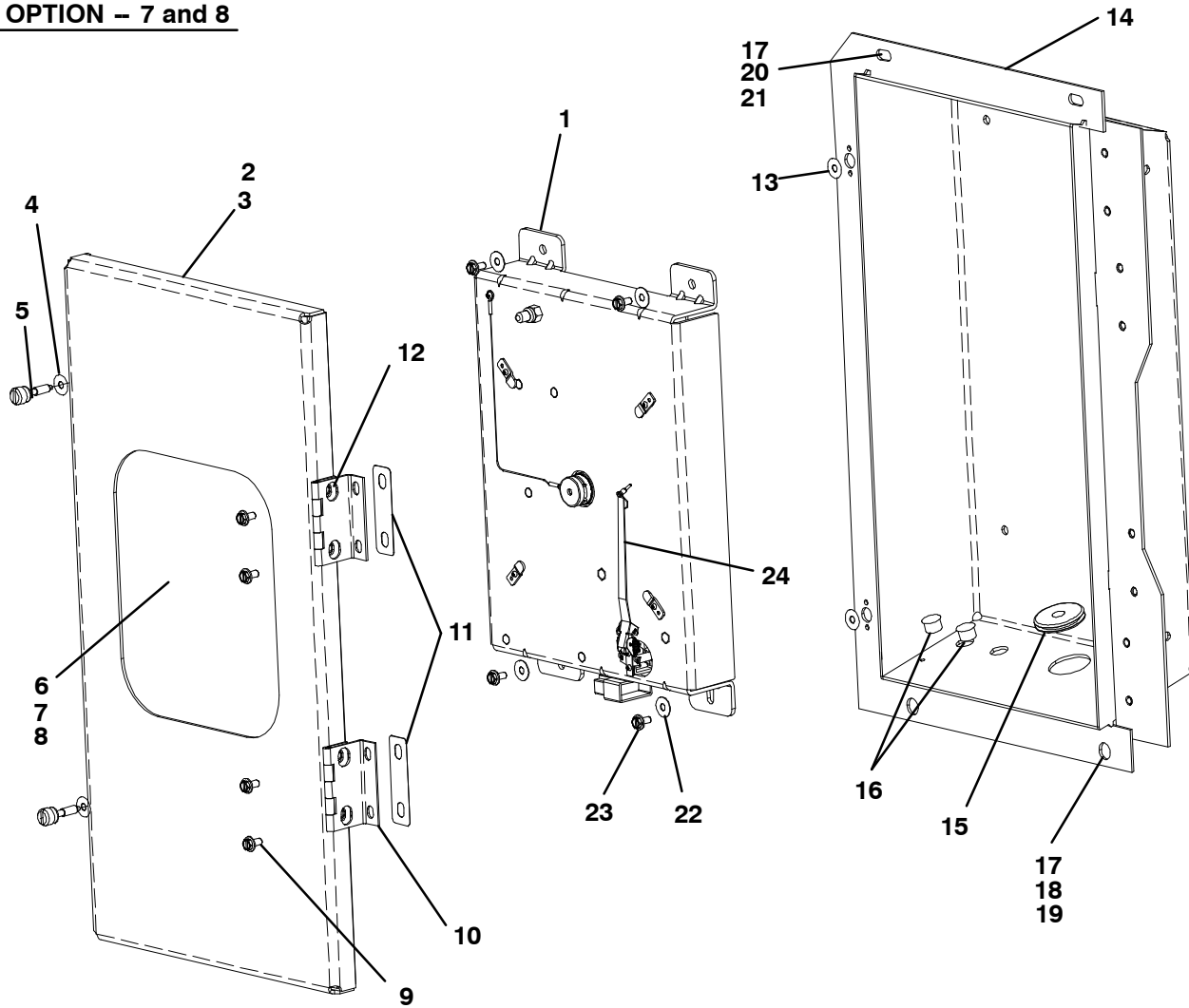
**2.29 SAGINOMIYA TEMPERATURE RECORDER (Continued)**

Item	Part Number	Description	Qty
<b>OPTION 5 - SAGINOMIYA WITHOUT PROBE AND &amp; OPTION 6 - SAGINOMIYA WITH PROBE</b>			
-	76-00701-03 <b>OPTION 5</b>	Recording Thermometer Assembly with Return Sensor - Includes: Recorder, Box and Door Assemblies	1
1	12-01094-00	Recording Thermometer with Return Sensor - Includes:	1
-	76-00701-02 <b>OPTION 6</b>	Recording Thermometer Assembly with Return & Supply Sensor - Includes: Recorder, Box and Door Assemblies	1
1	12-01094-01	Recording Thermometer with Return and Supply Sensor - Includes:	1
2	09-00365-00	Stylus, Lift Arm ( <b>See NOTE</b> )	1
3	09-00364-00	Element Assembly	1
4	09-00367-00	Element Assembly ( <b>Used on P/N 12-01094-01</b> )	1
5	09-00362-00	Indicator, Voltage	1
6	09-00363-00	Plate, Recorder	1
7	PL	Battery (Mallory R14P/S 1.5 vdc)	1
8	09-00326-00	Shaft, Chart	1
9	09-00329-00	Block, Terminal	1
10	09-00322-00	Timer (31 Day)	1
11	09-00325-00	Nut, Chart (Male)	1
12	69NT40-402-1	Sensor Assembly, Return Temperature ( <b>Used on 76-00701-02</b> ) - Includes:	1
NS	12-01095-00	Sensor, Thermistor	1
13	22-02370-00	Jack, Phono ( <b>Used on 76-00701-02</b> )	2
14	76-00701-06SV	Box Assembly, Recorder - Includes:	1
15	34-01142-01	Receptacle, Retaining	2
16	34-00928-01	Rivet, Blind, 0.125 Diameter, Grip Range 0.063-.125 - SST	4
17	34-06053-13	Washer, 0.195 I.D. x 0.80 O.D. - Mylar	2
18	34-01142-01	Receptacle, Retaining	2
19	76-00701-05	Door Assembly, Recorder Box - Includes:	1
20	42-01098-01	Gasket, Door	1
21	66U1-6811-8	Screw, Retaining - SST	2
22	34-06169-00	Washer, Retaining - SST	2
23	34-06053-00	Washer, 1/4 I.D. x 1.00 O.D. - Mylar	4
24	69NT35-5022-5	Window, Lexan	1
25	69NT35-5352-1	Gasket, Window	1
26	44-00374-00	Hinge Assembly - SST	2
27	58-04101-07	Protector, Mylar (For Hinge)	4
28	34-06179-00	Screw, Hex Head, #10-24 x 7/16 lg. - SST	4
29	34-06179-04	Screw, Hex Head, #10-24 x 5/16 lg. - SST	4
30	34-00795-09	Nut, Selflock, #10-32 - SST	4
31	66U1-5321-7	Washer, Flat, 1/4 - SST	2
32	66U1-5361-25	Screw, Cap Hex Head, 1/4-20 x 0.75 lg. - SST	4
33	69NT35-2692-1	Washer, Fender, 1/4 I.D. x 0.993-1.015 O.D.	2
NS	09-00128-00	Charts °F - 31 Day (Box of 50) (-20°F to +80°F)	A/R
NS	09-00128-01	Charts °C - 31 Day (Box of 50) (-25°C to +25°C)	A/R

**NOTE:** The quantity is two for these charts when using P/N 12-01094-01.

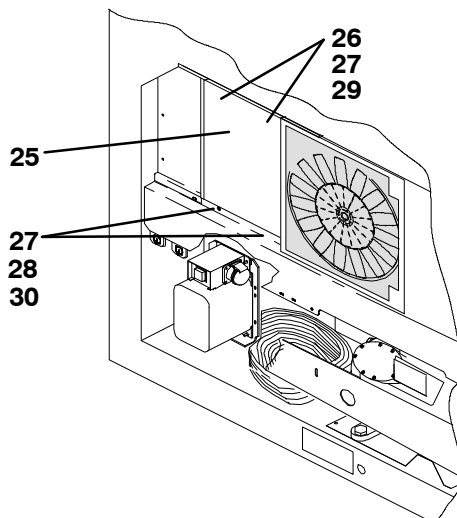
## 2.30 OPTION 7 AND OPTION 8 - ELECTRONIC PARTLOW TEMPERATURE RECORDER

### OPTION - 7 and 8



## 2.31 OPTION 9 - NO TEMPERATURE RECORDER

### OPTION 9



**2.30 OPTION 7 AND OPTION 8 - ELECTRONIC PARTLOW TEMPERATURE RECORDER**

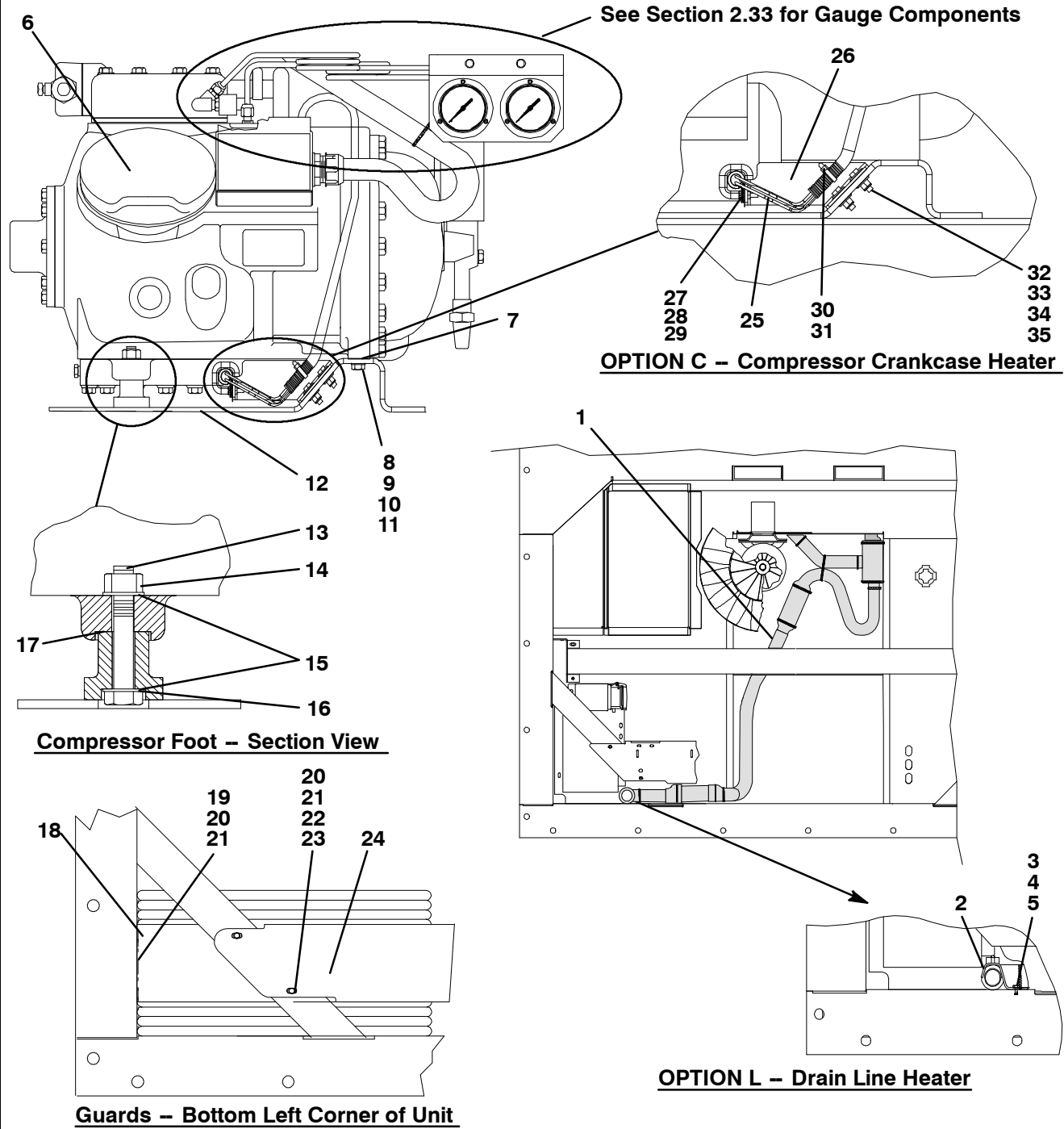
Item	Part Number	Description	Qty
-	76-00701-11 <b>OPTION 7</b>	Partlow Recorder Kit, Standard - Includes: Recorder, Box & Door Assemblies <b>(For field installation, units provisioned for - Refer to Unit Matrix )</b>	1
1	12-00464-06	Electronic Temperature Recorder	1
-	76-00701-10 <b>OPTION 8</b>	Partlow Recorder Kit, Special - Includes: Recorder, Box & Door Assemblies <b>(For field installation, units provisioned for - Refer to Unit Matrix )</b>	1
1	12-00464-04	Electronic Temperature Recorder	1
2	76-00701-05	Door Assembly - Includes:	1
3	42-01098-01	Seal, Door - Rubber	1
4	34-06053-00	Washer, 0.25 I.D. x 1.00 O.D. - Mylar	4
5	66U1-6811-8	Screw, Retaining - 0.300 - 0.625 Panel Thickness - SST	2
6	69NT35-5022-5	Window	1
7	69NT35-5352-1	Gasket	1
8	34-00795-09	Nut, Selflock, 1/4-20	4
9	34-06179-00	Screw, Hex Head, #10-24 x 7/16 lg. - SST	4
10	44-00374-00	Hinge	2
11	58-04101-07	Protector - Mylar	4
12	34-06179-04	Screw, Hex Head, SEMS, #10-24 x 5/16 lg.	4
13	34-06169-00	Washer, Retaining - SST	2
14	76-00701-06SV	Box Assembly - Includes:	1
15	58-00065-67	Grommet, 3/8 ID x 1.25 OD	1
16	58-00065-70	Plug, Hole, 0.50 DIA	2
17	66U1-5361-25	Screw, Cap, Hex Head, 1/4-20 x 0.75 lg. - SST	4
18	69NT35-2692-1	Washer, Fender, 1/4 I.D. x 0.993-1.015 O.D.	2
19	34-06053-03	Washer, 0.25 I.D. x 0.19 O.D. - Mylar	2
20	66U1-5321-7	Washer, Flat, 1/4 - SST	2
21	34-06053-13	Washer, Retaining, 0.19 I.D. x 0.80 O.D. - Mylar	2
22	34-06053-05	Washer, 1/4 I.D. x 1 O.D. - Mylar	4
23	34-06179-00	Screw, Hex Head, SEMS, #10-24 x 7/16 lg.	4
24	09-00371-00	Stylus, Electronic Partlow Kit, Includes	
NS	-	Chart - Owner Supplied	A/R
NS	09-00128-00	Charts F - 31 Day (Box of 50) (-20F to +80F)	A/R
NS	09-00128-01	Charts C - 31 Day (Box of 50) (-25C to +25C)	A/R
NS	66U1-3882	Wire Tie	A/R
NS	58-04246-00	Base, Wire Tie	A/R

**2.31 OPTION 9 - NO TEMPERATURE RECORDER**

Item	Part Number	Description	Qty
25	68-12658-01	Panel	1
26	66U1-5321-7	Washer, Flat, 1/4 - SST	2
27	66U1-5361-25	Screw, Cap Hex Head, 1/4-20 x 0.75 lg. - SST	4
28	69NT35-2692-1	Washer, Fender, 1/4 I.D. x 0.993-1.015 O.D.	2
29	34-06053-13	Washer, Retaining, 0.195 I.D. x 0.80 O.D. - Mylar	2
30	34-06053-03	Washer, 0.25 I.D. x 1.00 O.D. - Mylar	2



**2.32 COMPRESSOR MOUNTING, GUARD, CRANKCASE AND DRAIN LINE HEATER COMPONENTS**



**OPTION L - DRAIN LINE HEATER**

Item	Part Number	Description	Qty
1	22-01959-01	Hose Assembly	1
2	68-12960-00	Bracket, Drain	1
3	66U1-5371-6	Screw, Hex Head, #10-24 x 3/4 lg. - SST	2
4	34-06053-05	Washer, Mylar, 0.205 ID x 0.600 OD	2
5	66U1-5321-8	Washer, Flat, 7/16 - SST	2

**OPTION B - CRANKCASE HEATER AND DRAIN LINE HEATER**  
 Use Option C and Option L for Both Crankcase Heater and Drain Line Heater

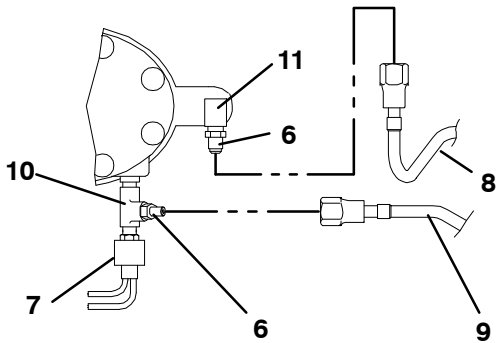
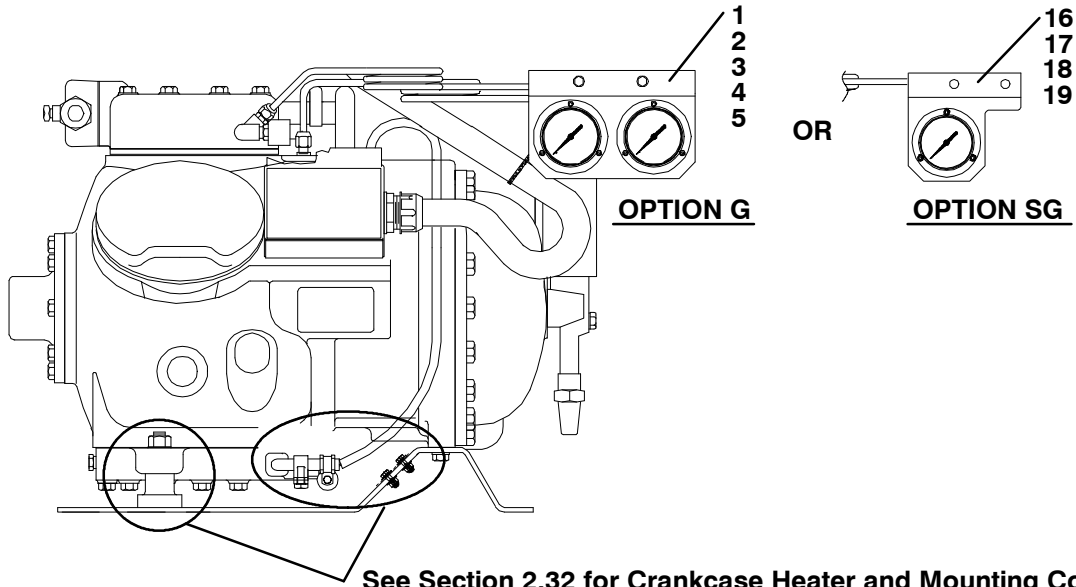
**2.32 COMPRESSOR MOUNTING, GUARD, CRANKCASE AND DRAIN LINE HEATER COMPONENTS  
(Continued)**

Item	Part Number	Description	Qty
6	-	Compressor - <b>Refer to Section 4</b>	-
7	69NT35-6132	Protector (Compressor to Compressor Base)	1
8	AU11JR241	Washer, Lock, 3/8 - SST	2
9	AA06JA232	Capscrew, Hex Head, 3/8-16 x 1-1/4 lg. - SST	2
10	34-00829-13	Washer, Flat, 3/8 - SST	2
11	34-06053-02	Washer, Mylar, 0.375 ID x 1.00 OD	2
12	69NT43-469	Base, Compressor	1
NS	66U1-5361-7	Bolt, Hex Head, 3/8-16 x 1.00 lg. - SST	7
NS	66U1-5321-5	Washer, Flat, 3/8 - SST	7
NS	AU11JR241	Washer, Lock, 3/8 - SST	7
NS	34-06053-02	Washer, Mylar, 0.375 ID x 1.00 OD	7
13	34-00849-22	Capscrew, 7/16-14 x 2-3/4 lg. - SST	2
14	34-00667-14	Locknut, 7/16-14 - SST	2
15	66U1-5321-8	Washer, Flat, 7/16 - SST	4
16	34-06053-07	Washer, Mylar, 0.438 ID x 0.922 OD	2
17	34-06053-01	Washer, Mylar, 0.438 ID x 1.125 OD	2
18	68-12993-00	Panel, Guard	1
	68-12523-00	Panel, Guard - Large	1
19	66U1-5361-25	Screw, Hex Head, 1/4-20 x 3/4 lg. - SST	1
20	66U1-5321-7	Washer, Flat, 1/4 - SST	9
21	34-06053-00	Washer, Mylar, 1/4 ID x 3/4 OD	9
22	66U1-5361-11	Capscrew, Hex Head, 1/4-20 x 1-1/2 lg. - SST	4
23	34-00667-11	Locknut, 1/4-20 - SST	4
24	68-12432-00	Guard, Compressor, 0.125 Thick Alum. (Blue)	1
	68-12432-01	Guard, Compressor, 0.090 Thick Alum. (Blue)	1
	68-12432-02	Guard, Compressor, 0.090 Thick Alum. (White)	1
	68-12432-03	Guard, Compressor, 0.125 Thick Alum., For Right Extended Guard (Blue)	1
<b>OPTION C - CRANKCASE HEATER (for PID NT-0850 and Up Only) See Note 1</b>			
-	76-00766-00	Crackcase Heater Installation Kit - Includes:	1
25	24-02019-02	Heater, Compressor Crankcase ( <b>CCH</b> ) <b>NSS</b>	1
26	69NT-34-8248	Bracket, Heater <b>NSS</b>	1
27	44-00370-03	Clamp, Tube, Cushioned, 1/2 Diameter - SST	1
28	34-06053-03	Washer, Mylar, 1/4 ID x 1.0 OD	1
29	66U1-5371-6	Screw, Machine Hex Head, #10-24 x 0.75 lg. - SST	1
30	58-04316-00	Wire Tie Base	1
31	66U1-3882	Wire Tie	1
NS	66U1-3803	Heat Shrink Tubing	3
NS	22-01292-00	Butt Splice	3
NS	22-00121-27	Terminal, Ring	1
NS	02-00010-01	Thermo Grease	1
32	34-00655-08	Screw, Hex Head, 1/4-20 x 1.00 lg - SST	2
33	34-06053-00	Washer, Mylar, 0.25 ID x 0.75 OD	4
34	34-00662-11	Washer, Flat, 1/4 x 0.05 Thk.	4
35	34-00667-11	Locknut, 1/4-20	2

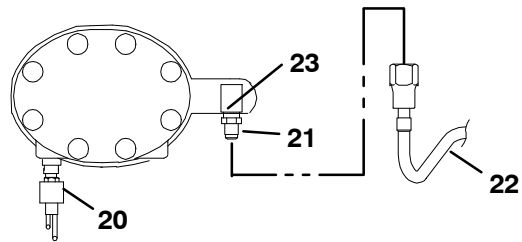
Notes:

- Contact your local service representative for crankcase heater applications previous to PID number NT-0850

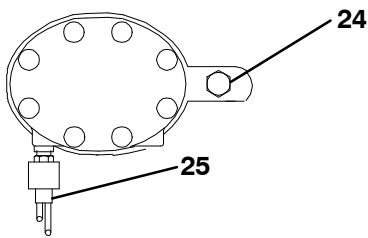
**2.33 COMPRESSOR GAUGES AND TRANSDUCERS**



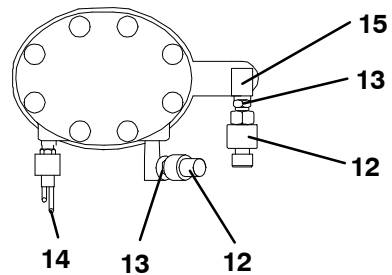
**OPTION G – Center Cylinder Head View with Both gauges**



**OPTION SG – Center Cylinder Head View with Suction Gauge Only**



**OPTION – Center Cylinder Head View without Gauges**

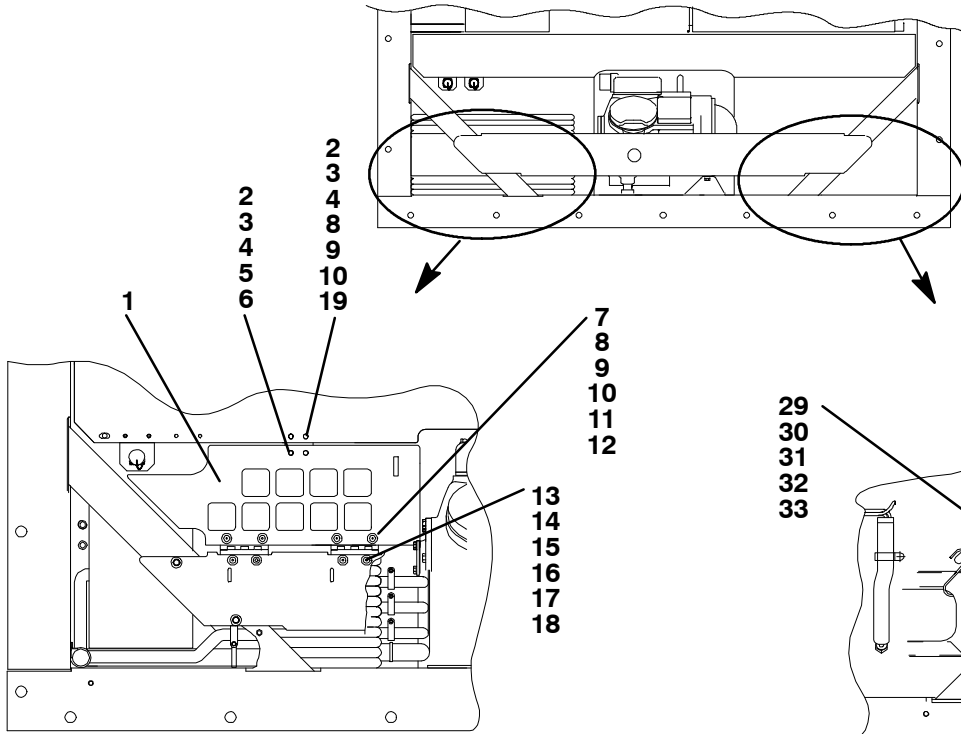


**OPTION T – Center Cylinder Head View with Pressure Transducers**

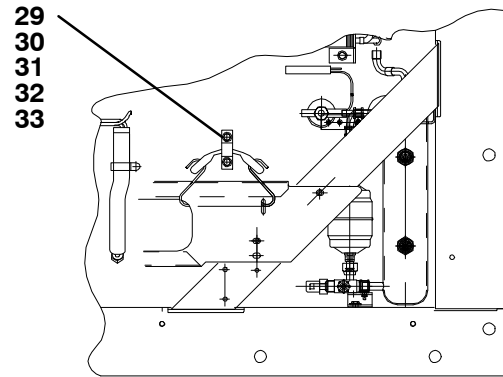
**2.33 COMPRESSOR GAUGES AND TRANSDUCERS (Continued)**

Item	Part Number	Description	Qty
<b>OPTION G - PRESSURE GAUGES</b>			
1	69NT41-106-2	Stiffener Assembly	1
NS	66U1-5321-8	Washer, Flat, #10 - SST	2
NS	66U1-5371-6	Screw, Hex Head, #10-24 x 3/4 lg. - SST	2
NS	34-06053-05	Washer, Mylar, 0.205 ID x 0.600 OD	2
2	68-13472-03SV	Bracket Assembly, Gauge	1
3	12-01124-02	Gauge, Suction Pressure	1
4	12-01125-02	Gauge, Discharge Pressure	1
5	66U1-6651-19	Screw, Pan Head, #6-32 x 7/16 lg. - SST	6
6	06DA403-844	Valve Assembly, Core, Check (Schrader Valve) - Brass	2
7	12-00309-06	Switch, High Pressure (HPS)	1
NS	22-02392-00SV	Connector, Female, 2 Pin <b>Used with 12-00309-03</b> (Includes terminals & cable seal)	1
8	69NT41-553	Tube Assembly, Low Pressure	1
9	69NT41-543	Tube Assembly, High Pressure	1
10	CA21JA051	Tee, 1/4 NPT	1
11	40-00060-02	Elbow, 90 Street, 1/4 FPT x 1/4 MPT - Brass	1
<b>OPTION T - PRESSURE TRANSDUCERS</b>			
12	12-00352-00	Transducer, Pressure	2
13	06DA403-844	Valve Assembly, Core, Check (Schrader Valve) - Brass	2
14	12-00309-06	Switch, High Pressure (HPS)	1
NS	22-02392-00SV	Connector, Female, 2 Pin <b>Used with 12-00309-03</b> (Includes terminals & cable seal)	1
15	40-00060-02	Elbow, 90 Street, 1/4 FPT x 1/4 MPT - Brass	1
<b>OPTION SG - SUCTION PRESSURE GAUGE ONLY</b>			
16	69NT41-106-2	Stiffener Assembly	1
NS	66U1-5321-8	Washer, Flat, #10 - SST	2
NS	66U1-5371-6	Screw, Hex Head, #10-24 x 3/4 lg. - SST	2
NS	34-06053-05	Washer, Mylar, 0.205 ID x 0.600 OD	2
17	68-13472-01	Bracket Assembly, Gauge	1
18	12-01124-01	Gauge, Suction Pressure	1
19	66U1-6651-19	Screw, Pan Head, #6-32 x 7/16 lg. - SST	3
20	12-00309-06	Switch, High Pressure (HPS)	1
NS	22-02392-00SV	Connector, Female, 2 Pin <b>Used with 12-00309-03</b> (Includes terminals & cable seal)	1
21	06DA403-844	Valve Assembly, Core, Check (Schrader Valve) - Brass	2
22	69NT41-553	Tube Assembly, Low Pressure	1
23	40-00060-02	Elbow, 90 Street, 1/4 FPT x 1/4 MPT - Brass	1
<b>OPTION - NO GAUGES</b>			
24	40-00123-02	Plug, Pipe, 1/4-18 NPTF - Brass	1
25	12-00309-06	Switch, High Pressure (HPS)	1
NS	22-02392-00SV	Connector, Female, 2 Pin <b>Used with 12-00309-03</b> (Includes terminals & cable seal)	1

**2.34 CABLE RESTRAINT COMPONENTS**

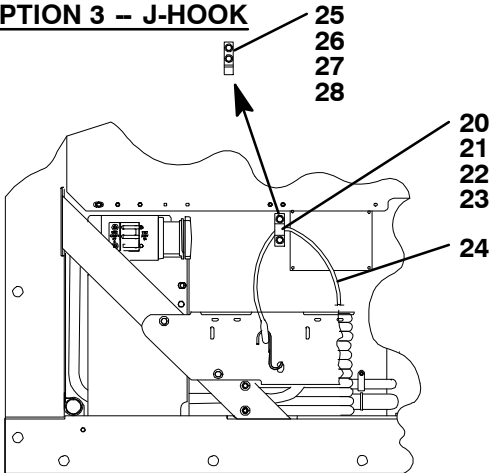


**OPTION 1 - CABLE DOOR**

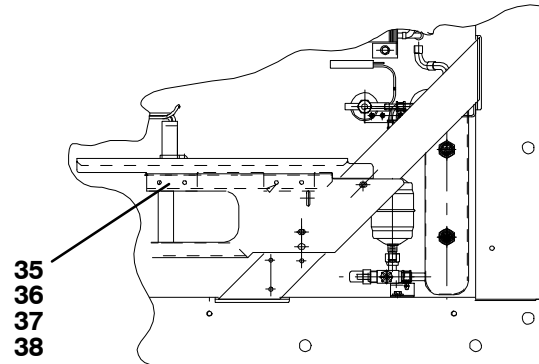


**OPTION 4 and 6 - RIGHT SIDE BUNGY CORD**

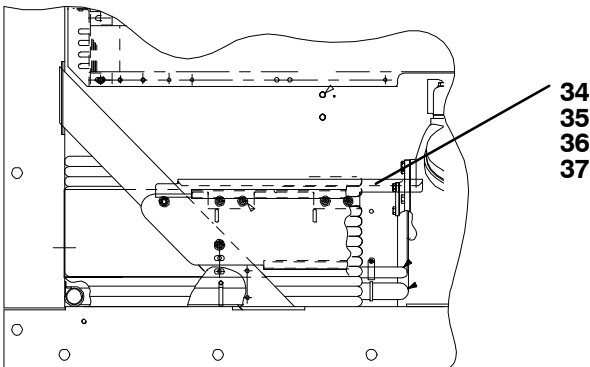
**OPTION 3 - J-HOOK**



**OPTION 2, 4, 5 and 6 - LEFT SIDE BUNGY CORD**



**OPTION 6 - RIGHT SIDE EXTENDED GUARD**

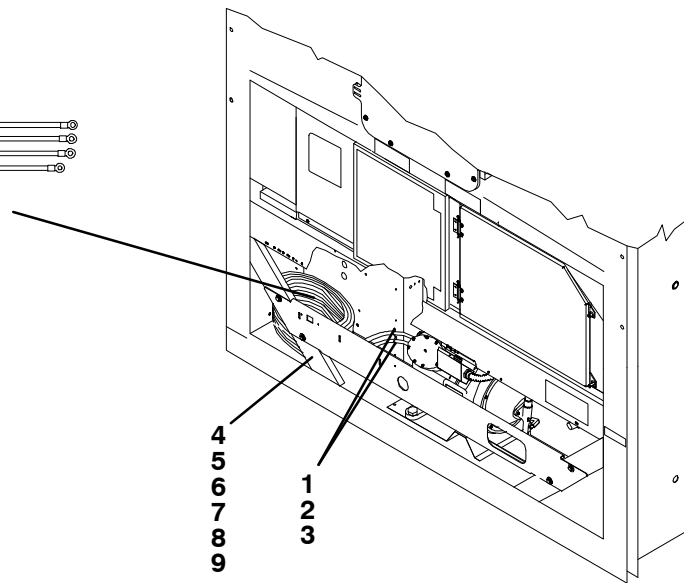
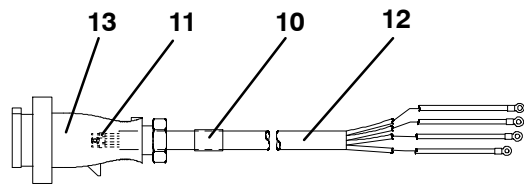


**OPTION 5 and 6 - LEFT SIDE EXTENDED GUARD**

**2.34 CABLE RESTRAINT COMPONENTS (Continued)**

Item	Part Number	Description	Qty
<b>OPTION 1 - CABLE DOOR</b>			
1	69NT41-724-4	Cover Assembly with Latch, Cable Storage - Includes:	1
2	34-06126-08	Screw, Hex Head, #4-40 x 1/2 lg. - SST	2
3	34-00662-05	Washer, Flat, #4 -SST	4
4	34-00667-05	Locknut, Hex Head, #4-40	2
5	34-06053-08	Washer, Mylar, 1/8 ID x 3/8 OD	2
6	44-00340-03	Latch	1
7	69NT35-8032	Hinge	2
8	66U1-2403	Screw, Truss Head, #10-24 x 1/2 lg. - SST	4
9	66U1-5321-8	Washer, Flat, #10	4
10	34-00667-09	Locknut, Hex Head, #10-24 - SST	4
11	34-06053-05	Washer, Mylar, 3/16 ID x 5/8 OD	4
12	58-04001-02	Protector, Mylar	2
13	58-04001-01	Protector, Mylar	1
14	34-06053-05	Washer, Mylar, 3/16 ID x 5/8 OD	2
15	34-01167-01	Retainer, Nut	1
16	66U1-2403	Screw, Truss Head, #10-24 x 1/2 lg. - SST	2
17	66U1-5321-8	Washer, Flat, #10 - SST	2
18	66U1-5331-3	Washer, Lock, #10 - SST	4
19	44-00340-05	Latch, Catch	1
<b>OPTION 2 - LEFT BUNGY CORD ONLY</b>			
20	69NT35-5992	Cable Restraint	1
21	66U1-5321-7	Washer, Flat, 1/4 - SST	2
22	66U1-5361-25	Screw, Cap, Hex, Head, 1/4-20 x 0.75 lg - SST	2
23	34-06053-03	Washer, Mylar, 0.25 I.D. X 1.00 O.D.	2
24	66U1-2603	Strap, Tie Down	1
<b>OPTION 3 - J-HOOK</b>			
25	69NT35-8382	Cable Restraint, J-Hook	1
26	58-04026-22	Protector, Mylar	1
27	66U1-5321-7	Washer, Flat, 1/4 - SST	2
28	66U1-5361-25	Screw, Cap, Hex, Head, 1/4-20 x 0.75 lg - SST	2
<b>OPTION 4 - LEFT AND RIGHT BUNGY CORD</b>			
<b>Use Option 2 Plus the Items Below</b>			
29	66U1-2603	Strap, Tie Down	1
30	69NT35-5992	Cable Restraint	1
31	66U1-5361-25	Screw, Cap, Hex, Head, 1/4-20 x 0.75 lg - SST	2
32	66U1-5321-7	Washer, Flat, 1/4 - SST	2
33	34-06053-03	Washer, Mylar, 0.25 I.D. X 1.00 O.D.	2
<b>OPTION 5 - LEFT BUNGY CORD WITH LEFT EXTENDED GUARD</b>			
<b>Use Option 2 Plus the Items Below</b>			
34	68-13310-00	Bracket, Left	1
35	66U1-2403	Screw, Truss Head, #10-24 x 1/2 lg. - SST	A/R
36	66U1-5321-8	Washer, Flat, #10 - SST	A/R
37	34-06053-05	Washer, Mylar, 3/16 ID x 5/8 OD	A/R
<b>OPTION 6 - LEFT AND RIGHT BUNGY CORD WITH EXTENDED GUARDS</b>			
<b>Use Option 4 and 5 Plus the Items Below</b>			
38	68-13310-01	Bracket, Right	1

## 2.35 VOLTAGE CABLES



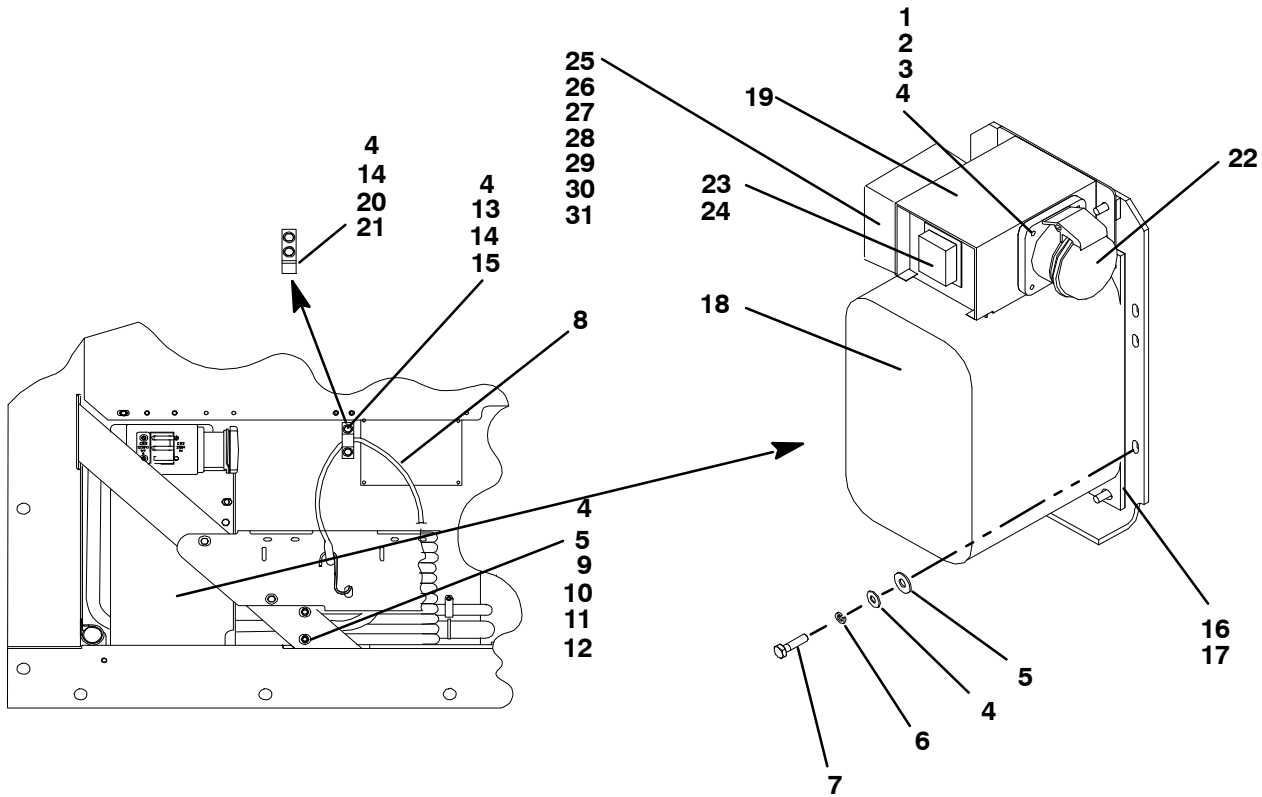
Item	Part Number	Description	Qty
<b>CLAMPS ON BACK WALL AND CABLE CUTTERS</b>			
1	34-00373-56	Clamp, Tube, Cushioned, 9/16 Diameter <b>(Used with Transicord)</b>	A/R
	34-00373-59	Clamp, Tube, Cushioned, 3/4 Diameter	A/R
2	66U1-5381-1	Screw, Hex Head, #10-24 x 3/4 lg. - SST	A/R
3	34-06053-03	Washer, Mylar, 1/4 ID x 1.00 OD	A/R
4	69NT35-6412-2	Clamp, Cable Cutter, 8 AWG cable	1
	68-14456-00	Clamp, Cable Cutter, 10 AWG cable	1
	58-14456-01	Clamp, Cable Cutter, 11 AWG cable	1
5	58-04026-07	Protector, Mylar	A/R
6	66U1-5361-11	Screw, Machined Hex Head, 1/4-20 x 1-1/2 lg. - SST	A/R
7	34-00667-11	Locknut, Hex Head, 1/4-20 - SST	A/R
8	66U1-5321-7	Washer, Flat, 1/4 - SST	A/R
9	34-06053-03	Washer, Mylar, 0.25 I.D. x 1.00 O. D.	A/R
<b>460V CABLES</b>			
<b>STANDARD PARTS FOR ALL 460V CABLES</b>			
10	66U1-2583	Heat Shrink Tube (Coil Label) - "460V"	1
11	22-02324-01	Bushing <b>(Used with Standard Cable)</b>	4
	22-02324-05	Bushing <b>(Used with Transicord)</b>	4
<b>OPTION 1</b>			
12	66U1-9782	Cable, Power - Yellow, 10/4	A/R
13	22-02378-00	Plug, Power	1
<b>OPTION 2</b>			
12	22-01551-00	Cable, Power - Yellow, 33 amp, 11 AWG	A/R
13	22-02378-00	Plug, Power	1
<b>OPTION 3</b>			
12	66U1-9782	Cable, Power - Yellow, 10/4	A/R
13	22-01891-00	Plug, Power	1
<b>OPTION 4</b>			
12	22-01551-00	Cable, Power - Yellow, 33 amp, 11 AWG	A/R
13	22-01891-00	Plug, Power	1

**2.35 VOLTAGE CABLES (Continued)**

Item	Part Number	Description	Qty
<b>OPTION 5</b>			
12	22-01551-00	Cable, Power - Yellow, 33 amp, 11 AWG	A/R
13	22-01883-00	Plug, Power	1
<b>OPTION 6</b>			
12	22-01551-00	Cable, Power - Yellow, 33 amp, 11 AWG	A/R
13	22-01891-00	Plug, Power	1
<b>OPTION 7</b>			
12	66U1-9782	Cable, Power - Yellow, 10/4	A/R
13	22-01891-00	Plug, Power	1
<b>OPTION 8</b>			
12	66U1-9782	Cable, Power - Yellow, 10/4	A/R
13	22-01932-00	Plug, Power	1
<b>OPTION 9</b>			
12	66U1-9782	Cable, Power - Yellow, 10/4	A/R
13	22-02232-00	Plug, Power	1
<b>230V CABLES</b>			
<b>STANDARD PARTS FOR ALL 230V CABLES</b>			
10	66U1-2583-1	Heat Shrink Tube (Coil Label) - "230V"	1
11	22-02324-02	Bushing (Used with 8 AWG)	4
12	66U1-9782-1	Cable, Power - Black, 35 amps, 8 AWG	A/R
<b>OPTION 1</b>			
13	22-02188-00	Plug, Power	1
<b>OPTION 2</b>			
13	22-02375-00	Plug, Power	1
<b>OPTION 3</b>			
13	66U1-6782-3	Plug, Power	1
<b>OPTION 4</b>			
13	22-01744-00	Plug, Power	1
<b>OPTION 5</b>			
13	22-02322-00	Plug, Power	1
<b>OPTION 6</b>			
13	22-01884-00	Plug, Power	1
<b>OPTION 7</b>			
13	66U1-6782	Plug, Power	1
<b>OPTION 8</b>			
13	22-01931-00	Plug, Power	1
<b>OPTION 9</b>			
13	22-01906-00	Plug, Power	1



## 2.36 AUTOTRANSFORMER KIT

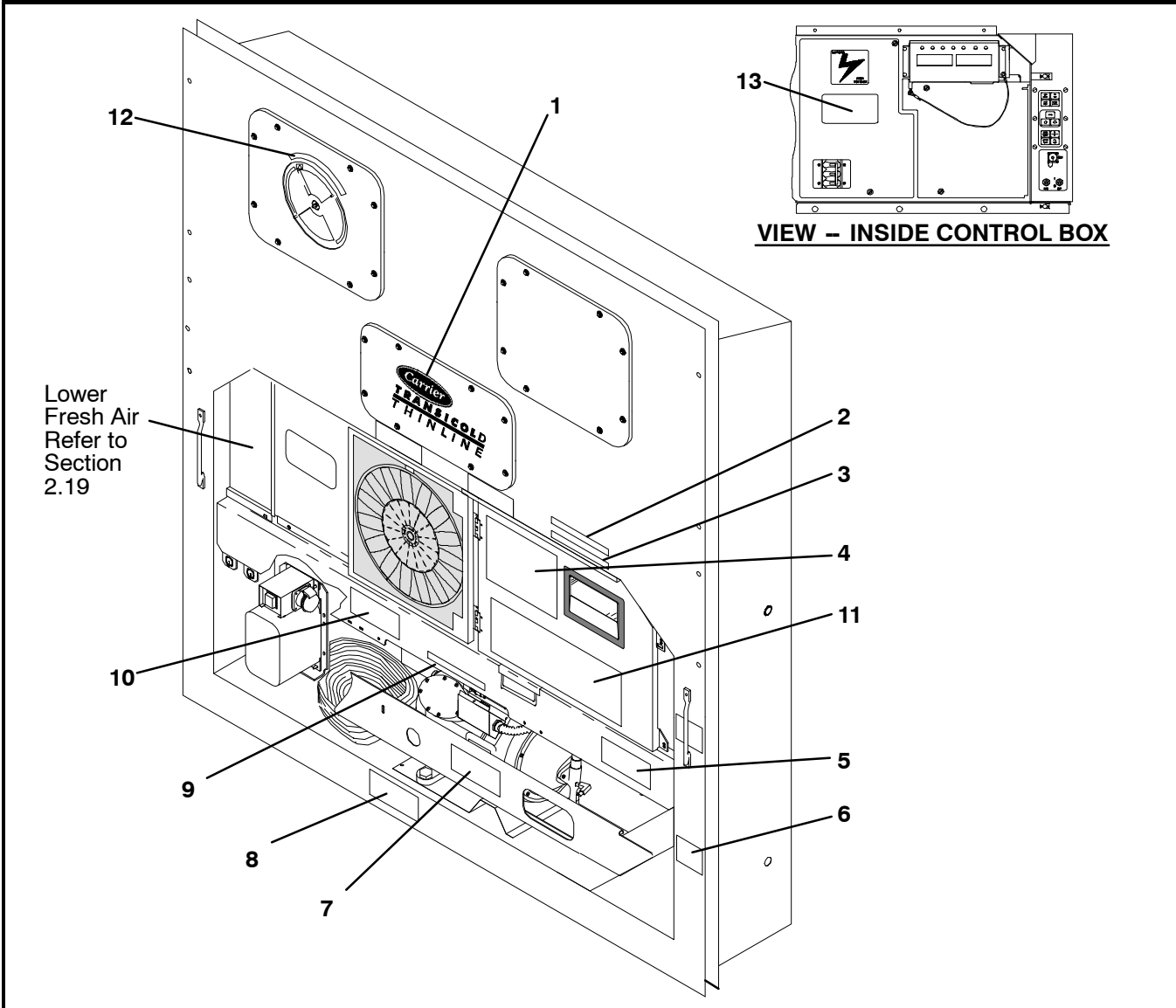


Item	Part Number	Description	Qty
<b>STANDARD PARTS INCLUDED IN EVERY 76-00670 SERVICE KIT</b>			
1	66U1-5371-7	Screw, Hex Head, #10-24 x 1/2 lg. - SST	4
2	66U1-5321-8	Washer, Flat, #10 - SST	4
3	34-06053-05	Washer, Mylar, 0.205 ID x 0.600 OD	4
4	66U1-5321-7	Washer, Flat, 1/4 - SST	A/R
5	34-06053-00	Washer, Mylar, 0.250 ID x 0.800 OD	5
6	AU11JR171	Washer, Lock, 1/4 - SST	5
7	AA06JA170	Screw, Hex Head, 1/4-20 x 1.00 lg.	5
8	66U1-2603	Strap, Tie Down	1
9	69NT35-6412-2	Clamp, Cable Cutter, 8 AWG cable	1
	69NT35-6412	Clamp, Cable Cutter, 10 AWG cable	1
	69NT35-6412-1	Clamp, Cable Cutter, 11 AWG cable	1
10	58-04026-07	Protector, Mylar	1
11	66U1-5361-11	Screw, Machined Hex Head, 1/4-20 x 1-1/2 lg. - SST	2
12	34-00667-11	Locknut, Hex Head, 1/4-20 - SST	2
13	69NT35-5992	Clamp, Tie Down Strap	1
14	66U1-5361-25	Bolt, Hex Head, 1/4-20 x 3/4 lg. - SST	A/R
15	34-06053-03	Washer, Mylar, 0.25 ID x 1.00 O.D.	2
16	69NT43-374	Bracket Assembly	1
17	58-04026-17	Protector, Mylar	1

**2.36 AUTOTRANSFORMER KIT (Continued)**

Item	Part Number	Description	Qty
<b>OPTION 1 - AUTOTRANSFORMER</b>			
<b>See Previous Page for Standard Parts Included in the Kit and use with Items Below</b>			
-	76-00670-02	Transformer Kit, Field Installation, <b>without CB2</b> - Includes:	1
18	10-01139-04	Transformer, Dual Voltage Modular	1
NS	22-01778-00	Terminal Block - <b>Used only without CB2</b>	1
19	69NT43-470-1	Box Assembly	1
20	69NT35-8382	Clamp, Tie Down Strap	1
21	58-04026-22	Protector, Mylar	1
<b>OPTION 2 - AUTOTRANSFORMER WITH CB2 AND RECEPTACLE</b>			
<b>See Previous Page for Standard Parts Included in the Kit and use with Items Below</b>			
-	76-00670-01	Transformer Kit, Field Installation, <b>with CB2</b> - Includes:	1
18	10-01139-04	Transformer, Dual Voltage Modular	1
19	69NT43-470	Box Assembly - <b>Used only with CB2</b>	1
22	22-01679-00	Receptacle, 32 Amp	1
	22-01679-01	Receptacle, with Screw Cap - 32 Amp, Alternate, <b>SOLD SEPARATELY</b>	1
20	69NT35-8382	Clamp, Tie Down Strap	1
21	58-04026-22	Protector, Mylar	1
-	76-00667-05	Circuit Breaker Kit, Field Installation - Includes:	1
23	10-00083-05	Circuit Breaker, 70 amp - 250 vac, 50/60 hz	1
24	66U2-1531	Boot - Includes:	1
NS	<b>NSS</b>	Frame	1
NS	<b>NSS</b>	Screw, Self Sealing, #6-32 x 3/8 lg. - SST	6
<b>OPTION 3 - AUTOTRANSFORMER WITH CB2 AND BRIDGING UNIT</b>			
<b>See Previous Page for Standard Parts Included in the Kit and use with Items Below</b>			
-	76-00670-03	Transformer Kit, Field Installation, <b>with CB2 and TBU</b> - Includes:	1
18	10-01139-04	Transformer, Dual Voltage Modular	1
19	69NT43-470-2	Box Assembly	1
20	69NT35-8382	Clamp, Tie Down Strap	1
21	58-04026-22	Protector, Mylar	1
-	76-00667-05	Circuit Breaker Kit, Field Installation - Includes:	1
23	10-00083-05	Circuit Breaker, 70 amp - 250 vac, 50/60 hz	1
24	66U2-1531	Boot - Includes:	1
NS	<b>NSS</b>	Frame	1
NS	<b>NSS</b>	Screw, Self Sealing, #6-32 x 3/8 lg. - SST	6
25	12-00474-00	Bridge Unit, Transformer	1
26	42-00470-00	Gasket, Transformer Bridge Unit	1
27	34-06221-00	Screw, Hex Head, #10-24 x 2.50 lg. - SST	2
28	34-00667-09	Locknut, Hex Head, #10-24 - SST	2
29	66U1-5321-8	Washer, Flat #10 - SST	2
30	34-06053-05	Washer, Mylar 0.205 I.D. x 0.600 O.D.	2
31	22-02324-01	Bushing, 0.142 I.D. x 0.472 O.D.	3
<b>OPTION 4 - AUTOTRANSFORMER WITH CB2 AND RECEPTACLE</b>			
<b>See Previous Page for Standard Parts Included in the Kit and use with Items Below</b>			
-	76-00670-04	Transformer Kit, Field Installation, <b>with CB2</b> - Includes: <b>Everything in kit 76-00670-01 except replace Item #22 with below</b>	1
22	22-01734-01	Receptacle, 32 Amp	1

**2.37 LABELS AND DECALS (Not Applicable to All Units)**



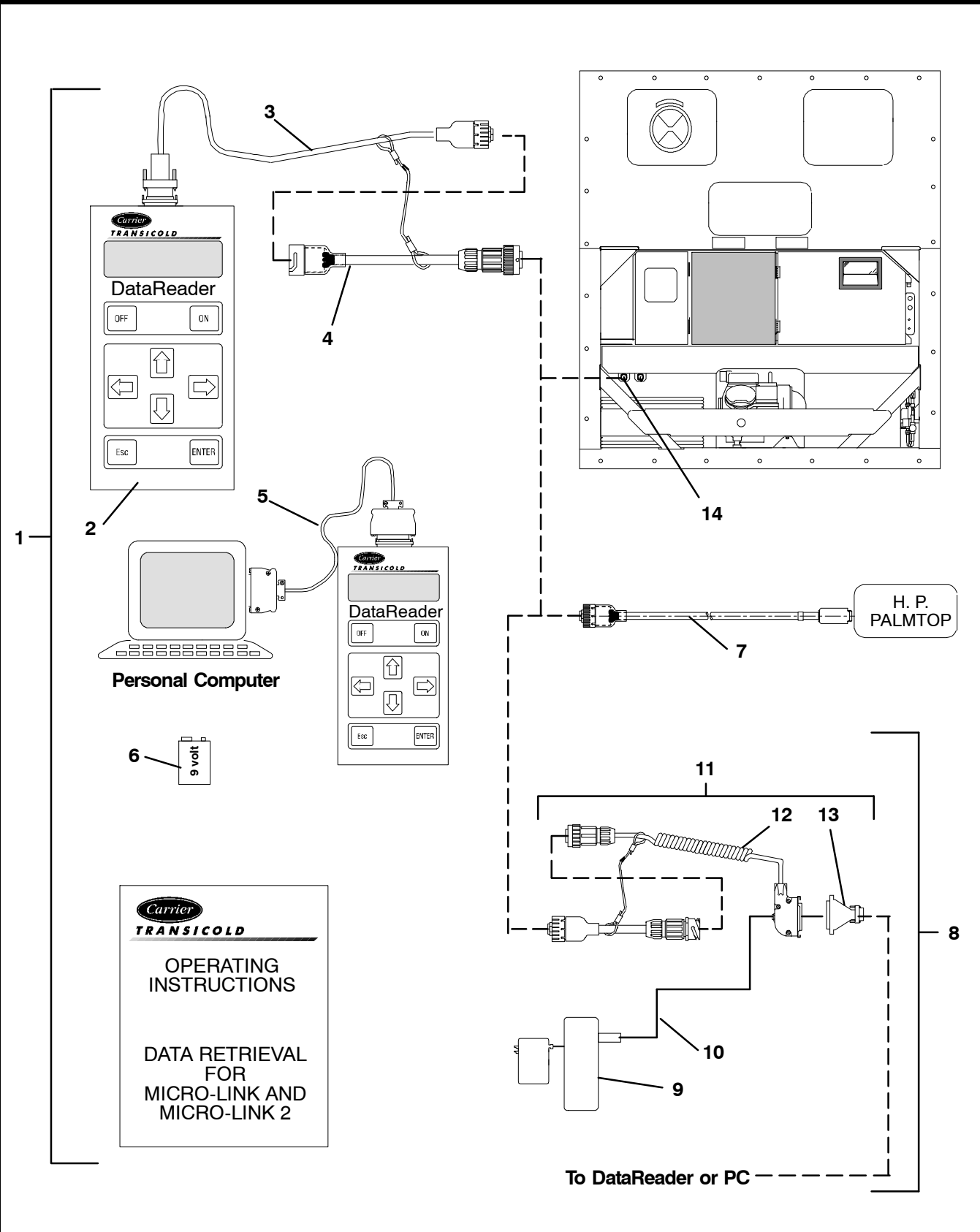
Item	Part Number	Description	Qty
<b>STANDARD LABELS</b>			
1	62-10769-00	Decal, Carrier Thinline	1
2	69NT35-3867	Label, Economy Mode	1
3	69NT35-3907	Label, Humidity Control Sensor	1
4	62-02721-00	Label, Function Code - <i>English</i>	1
	62-02721-03	Label, Function Code, with Single Evaporator Fan Capability - <i>English</i>	1
5	62-02562-00	Label, Micro-Link 2i with USDA	1
	62-02562-01	Label, Micro-Link 2i	1
6	62-02444-01	Label, Charge with R-134a	1
7	62-10259-00	Label, R-134a - Ozone Protection - <i>English</i>	1
	62-02530-01	Label, R-134a - Ozone Protection, Umbrella Only - <i>English</i>	1
8	62-02458-00	Label, POE Compressor Oil	1
9	69NT35-8218	Label, Equipped with Crankcase Heater <b>(CCH)</b>	1
10	62-02785-00	Label, CE	1
NS	69NT35-6118	Label, USDA (Location - Back of Unit, top left side)	1

**2.37 LABELS AND DECALS (Continued)**

Item	Part Number	Description	Qty
<b>OPTION 1 - ENGLISH</b>			
11	62-02720-00	Label, Operating Instructions (Partlow with Return Air)	1
11	62-02743-14	Label, Operating Instructions (Partlow with Supply Air)	1
11	62-02743-16	Label, Operating Instructions (Electronic Partlow with Supply & Return Air)	1
11	62-02743-12	Label, Operating Instructions (Saginomiya with Supply Air)	1
11	62-02743-13	Label, Operating Instructions (Saginomiya with Return Air)	1
11	62-02743-18	Label, Operating Instructions (No Recorder)	1
12	62-02723-00	Label, Fresh Air Makeup - <i>English</i>	1
12	62-02723-03	Label, Fresh Air Makeup (with Full CMH) - <i>English</i>	1
12	62-02723-10	Label, Fresh Air Makeup (with Full CMH + CFM) - <i>English</i>	1
13	62-10532-00	Label, Welding Precautions - <i>English</i>	1
<b>OPTION 2 - ENGLISH/SPANISH</b>			
11	62-02743-01	Label, Operating Instructions (Partlow with Return Air) - <i>English/Spanish</i>	1
11	62-02743-10	Label, Operating Instructions (No Recorder) - <i>English/Spanish</i>	1
12	62-02723-02	Label, Fresh Air Makeup - <i>English/Spanish</i>	1
12	62-02723-04	Label, Fresh Air Makeup (with Full CMH) - <i>English/Spanish</i>	1
13	62-10532-02	Label, Welding Precautions - <i>English/Spanish</i>	1
<b>OPTION 3 - ENGLISH/FRENCH</b>			
11	62-02743-00	Label, Operating Instructions (Partlow with return Air) - <i>English/French</i>	1
12	62-02723-01	Label, Fresh Air Makeup - <i>English/French</i>	1
13	62-10532-01	Label, Welding Precautions - <i>English/French</i>	1
<b>OPTION 4 - ENGLISH/KOREAN</b>			
11	62-02743-02	Label, Operating Instructions (Partlow with Return Air) - <i>English/Korean</i>	1
11	62-02743-08	Label, Operating Instructions (Saginomiya with Return Air) - <i>English/Korean</i>	1
12	62-02723-03	Label, Fresh Air Makeup (with Full CMH) - <i>English</i>	1
13	62-10532-00	Label, Welding Precautions - <i>English</i>	1
<b>OPTION 5 - ENGLISH/TRADITIONAL CHINESE</b>			
11	62-02743-04	Label, Operating Instructions (Partlow with Return Air) - <i>English/Chinese</i>	1
11	62-02743-07	Label, Operating Instructions (Saginomiya with Return Air) - <i>English/Chinese</i>	1
11	62-02743-19	Label, Operating Instructions (Electronic Partlow with Supply & Return Air) - <i>English/Chinese</i>	1
12	62-02723-06	Label, Fresh Air Makeup - <i>English/Chinese</i>	1
13	62-10532-04	Label, Welding Precautions - <i>English/Chinese</i>	1
<b>OPTION 6 - ENGLISH/SIMPLIFIED CHINESE</b>			
11	62-02743-15	Label, Operating Instructions (Electronic Partlow with Supply & Return Air) - <i>English/Simplified Chinese</i>	1
11	62-02743-04	Label, Operating Instructions (Partlow with Return Air) - <i>English/Simplified Chinese</i>	1
12	62-02723-05	Label, Fresh Air Makeup - <i>English/Simplified Chinese</i>	1
13	62-10532-03	Label, Welding Precautions - <i>English/Simplified Chinese</i>	1
<b>OPTION 7 - ENGLISH/JAPANESE/CHINESE</b>			
11	62-02743-09	Label, Operating Instructions (Saginomiya with Supply and Return Air) - <i>English/Japanese/Chinese</i>	1
11	62-02743-17	Label, Operating Instructions (Electronic Partlow with Supply & Return Air) - <i>English/Japanese/Chinese</i>	1
12	62-02723-09	Label, Fresh Air Makeup - <i>English/Japanese/Chinese</i>	1
12	62-02723-11	Label, Fresh Air Makeup - (with Shaded CMH) <i>English/Japanese/Chinese</i>	1
13	62-10532-06	Label, Welding Precautions - <i>English/Japanese/Chinese</i>	1

### 3 INTERROGATOR AND ACCESSORIES

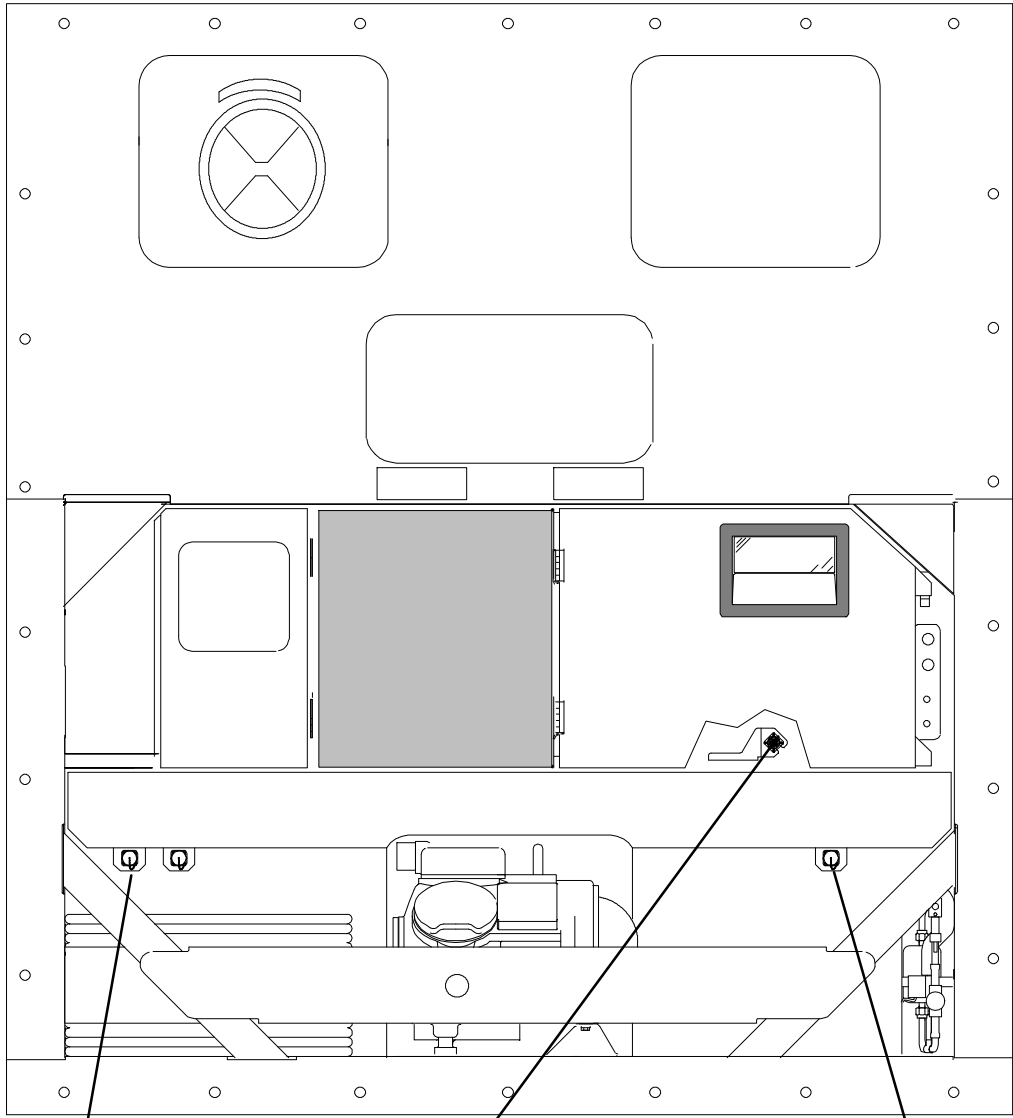
#### 3.1 DATAREADER



**3.1 DATAREADER (Continued)**

<b>Item</b>	<b>Part Number</b>	<b>Description</b>	<b>Qty</b>
1	07-00321-07/2.5	Kit, DataReader - Includes:	1
2	No longer offered	DataReader	1
3	22-01737-00	Cable, Download	1
4	22-01737-01	Cable, Adapter	1
5	22-01743-00	Cable, Upload	1
6	PL	Battery, Alkaline - 9 Volt	1
-	07-00421-00	DataLine Software	1
7	22-01737-02	Cable, H.P. Palmtop	1
8	76-50058-00	Kit, Battery, with Cable - Includes:	1
9	<b>NSS</b>	Battery, External, with Battery Charger	1
10	22-02401-00	Cable	1
11	76-50059-00	Kit, Cable, with Adapter - Includes:	1
12	22-02418-02	Cable, Interrogator	1
13	22-02420-00	Adapter	1
14	-	Receptacle - <b>Refer to Section 3.2</b>	-

### 3.2 INTERROGATOR RECEPTACLE



**OPTION 1, OPTION 4 & OPTION 5**

- |          |           |           |
|----------|-----------|-----------|
| <b>1</b> | <b>9</b>  | <b>13</b> |
| <b>2</b> | <b>10</b> | <b>14</b> |
| <b>3</b> | <b>11</b> | <b>15</b> |
| <b>4</b> | <b>12</b> | <b>16</b> |

**OPTION 3**

- |          |
|----------|
| <b>5</b> |
| <b>6</b> |
| <b>7</b> |
| <b>8</b> |

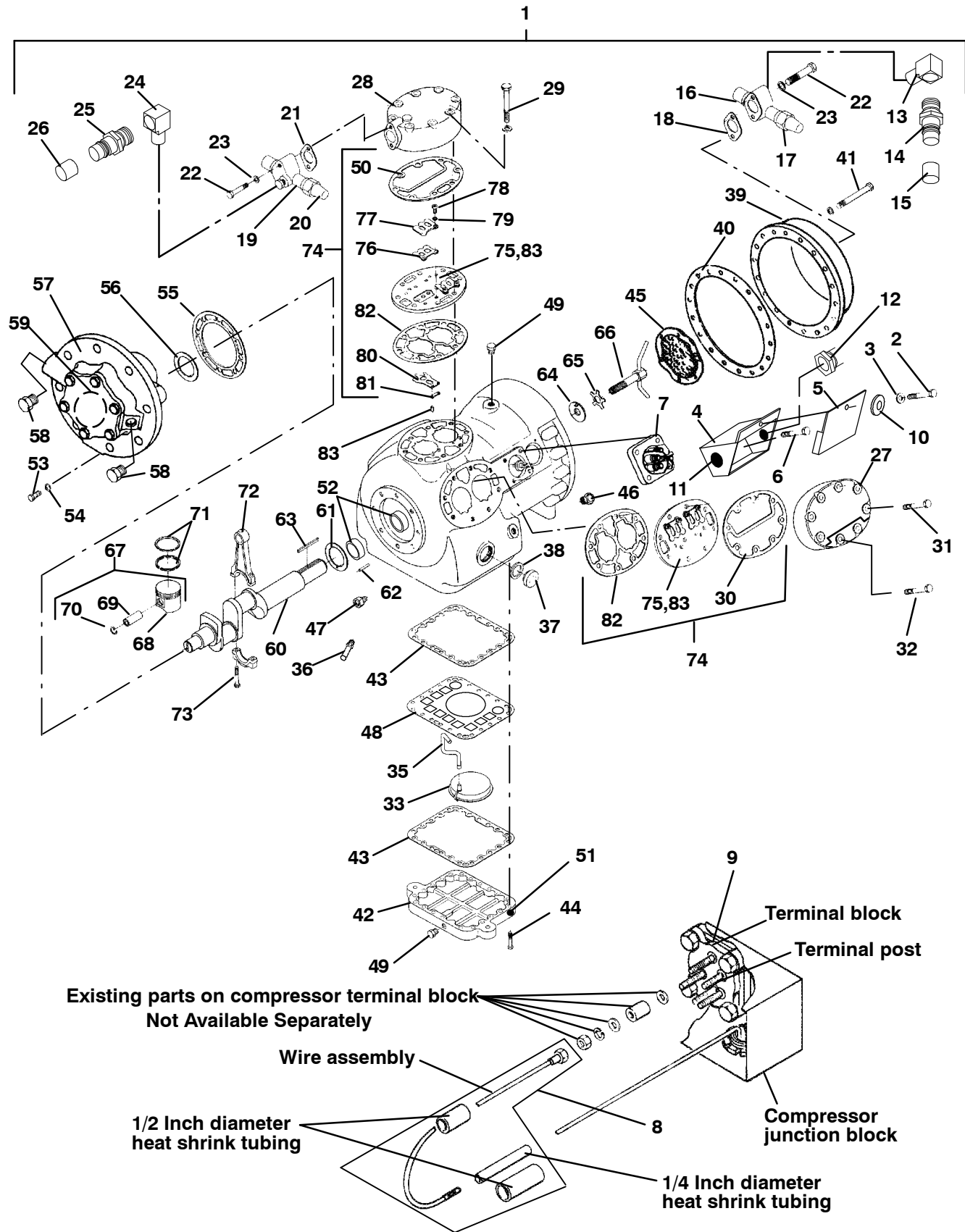
**OPTION 2 & OPTION 6**

- |          |           |
|----------|-----------|
| <b>1</b> | <b>9</b>  |
| <b>2</b> | <b>10</b> |
| <b>3</b> | <b>11</b> |
| <b>4</b> | <b>12</b> |

<b>3.2 INTERROGATOR RECEPTACLE (Continued)</b>			
<b>Item</b>	<b>Part Number</b>	<b>Description</b>	<b>Qty</b>
<b>OPTION 1 - LEFT STRAIGHT MOUNT &amp; OPTION 2 - RIGHT STRAIGHT MOUNT</b>			
1	22-01660-03	Receptacle, Interrogator (ICR) (5 Pin)	1
2	22-01613-14	Contact, Pin, #16	5
3	69NT43-176	Cap, Dust, with Tether (5 Pin)	1
4	69NT41-192	Bracket, Interrogator Connector	1
<b>OPTION 3 - BOX MOUNT</b>			
5	22-01660-03	Receptacle, Interrogator (ICR) (5 Pin)	1
6	22-01613-14	Contact, Pin, #16	5
7	68-12434-02	Bracket, Interrogator Connector	1
8	42-00174-38	Gasket, Interrogator Connector Bracket	1
<b>OPTION 4 - LEFT STRAIGHT MOUNT AND OPTION 6 - RIGHT STRAIGHT MOUNT</b>			
9	22-02412-00	Receptacle, Interrogator (ICR) (5 Pin)	1
10	22-02412-02	Contact, Pin, #16	5
11	22-02413-00	Cap, Dust, with Tether (5 Pin)	1
12	69NT40-222	Bracket, Interrogator Connector	1
<b>OPTION 5 - LEFT ANGLED MOUNT</b>			
13	22-01660-03	Receptacle, Interrogator (ICR) (5 Pin)	1
14	22-01613-14	Contact, Pin, #16	5
15	69NT43-176	Cap, Dust, with Tether (5 Pin)	1
16	68-12553-00	Bracket, Interrogator Connector	1
<b>NOTE</b>			
Do not mix silver and gold pins and sockets.			



# 4 COMPRESSOR ASSEMBLY



**4.1 OPTION 1R - SERVICE REPLACEMENT COMPRESSOR (Continued)**

Item	Part Number	Description	Qty
1	18-00055-20SV	Compressor, 41 CFM, <b>Single Speed</b> , 460 vac/3 ph/60 hz	1
NS	07-00292-00	SW20 Compressor Oil, Castrol Icematic (Quart)	4

**NOTE**

Replacement Compressor is sold without terminal box and cover, and without shut-off valves.  
Customer should retain the original terminal box and valves for use on replacement compressor.

**4.2 TERMINAL MOUNTING AND JUNCTION BOX GROUP**

2	66U1-5371-7	Screw, Hex Head, #10-24 x 1/2 lg. (cover to box) - SST	2
3	66U1-5321-8	Washer, Flat, #10 (cover to box) - SST	2
4	69NT20-513-1SV	Box, Junction ( <b>Located on Front of Compressor</b> ) - Includes:	1
4	69NT20-513SV	Box, Junction ( <b>Located on Back of 230/460v Compressor</b> ) - Includes:	1
5	69NT20-2083	Cover, Junction Box	1
6	AD61JA124	Screw, Pan Head, #10-32 x 3/8 lg. (box to compressor)	4
7	17-40093-06	Terminal, Compressor ( <b>5 Terminals</b> )	1
7	17-40093-05	Terminal, Compressor ( <b>6 Terminals</b> )	1
8	76-00355-00	Kit, Compressor Terminal Wiring (Single Voltage)	1
NS	76-00384-00	Kit, Compressor Terminal Wiring (Dual Voltage or Single Voltage)	1
9	17-40075-05	Gasket, Terminal Plate - Fiber	1
	17-44128-00	Gasket, Terminal Plate - Coated Steel	1
10	34-06053-05	Washer, Mylar, 0.205 ID x 0.600 OD	2
11	66U1-5562-7	Plug, 1-1/4 Diameter - Plastic	A/R
12	22-02302-03	Connector, 3/4 Conduit	A/R

**4.3 SERVICE VALVE GROUP**

13	40-00523-00	Elbow, M13 x M13 - Brass	1
14	40-00520-00	Coupling, M13 - Brass - Includes:	1
15	40-00520-02	Cap, Service Port	1
16	14-00206-00	Valve, Suction Shut-Off, 1-1/8 ODS	1
17	17-10812-00	Cap, Seal	1
18	17-10811-05	Gasket, Suction Service Valve	1
19	14-00206-01	Valve, Discharge Shut-Off, 7/8 ODS	1
20	17-10812-00	Cap, Seal	1
21	17-10811-05	Gasket, Discharge Service Valve	1
22	66U1-5361-46	Bolt, Hex Head, 5/16-18 x 1-7/8 lg. - SST	2
23	17-40013-00	Gasket, Bolt, 5/16	2
24	40-00523-01	Elbow, M15 x M15 - Brass	1
25	40-00520-01	Coupling, M15 - Brass - Includes:	1
26	40-00520-03	Cap, Service Port	1

**4.4 COMPRESSOR - MOTOR BODY GROUP**

NS	-	Gasket Set ( <b>Refer to Section 4.8</b> )	
27	17-21040-00	Head, Cylinder - Side Bank (Shaved Head)	2
28	17-40016-01	Head, Cylinder - Center Bank	1
29	17-40018-05	Screw, Hex Head - Center Head, 3/8-16 x 3.00 lg. - SAE Grade 5	8
30	17-44124-00	Gasket, Cylinder Head (Side Bank) - Coated Steel	3
31	17-40034-05	Screw, Hex Head, 3/8-16 x 2.00 lg. - SAE Grade 5	12
32	17-40037-05	Screw, Hex Head, 3/8-16 x 1.00 lg. - SAE Grade 5	4
33	17-40020-00	Screen Assembly, Oil Filter	1

**4.4 COMPRESSOR - MOTOR BODY GROUP (Continued)**

Item	Part Number	Description	Qty
34	17-40007-00	Gasket, Bolt, 1/2	4
35	17-21062-00	Tube, Oil Suction	1
36	17-44763-00	Orifice, Oil Relief	1
37	17-21201-00SV	Sight Glass Package, Oil Level - Includes:	1
38	17-44021-00	Gasket, Sight Glass - Coated Steel	1
39	17-20004-00	Cover, Motor End	1
40	17-40029-05	Gasket, Motor End Cover - Fiber	1
40	17-44136-00	Gasket, Motor End Cover - Coated Steel	1
41	PL	Screw, Hex Head, 7/16-14 x 1-1/4 lg. - SAE Grade 5	18
42	17-40032-00	Plate, Bottom	1
43	17-40033-05	Gasket, Bottom Plate - Fiber	2
43	17-44129-00	Gasket, Bottom Plate - Coated Steel	2
44	17-40034-05	Screw, Hex Head, 3/8-16 x 2.00 lg. - SAE Grade 5	22
45	17-20005-00	Strainer Assembly, Suction	1
46	PL	Plug, Pipe, Oil Fill, 1/4	1
47	17-40042-00	Check Valve Assembly, Oil Return	1
48	17-21063-00	Plate, Screen Hold Down	1
49	PL	Pipe Plug (High & Low Pressure Connection and Oil Drain), 1/4-18 NPT	3
50	17-44123-00	Gasket, Cylinder Head (Center Bank)	1
51	-	Heater, Crankcase - <b>See section 2.32</b>	1
52	17-40025-00	Bushing, Motor End	2

**4.5 PUMP END GROUP**

53	17-40037-05	Screw, Hex Head, Bearing Head, 3/8-16 x 1.00 lg. - SAE Grade 5	8
54	17-40019-00	Gasket, Capscrew, 3/8	8
55	17-44022-00	Gasket, Cover Plate - Coated Steel	1
56	17-55009-01	Washer, Thrust	1
57	17-44137-00	Bearing Head & Low Profile Oil Pump Package - Includes:	1
58	17-44037-00	Plug, Oil Pump (Includes O-ring)	2
59	17-44139-00	Seal, O-ring	1

**4.6 CRANKSHAFT, ROD AND PISTON GROUP**

60	17-40413-00	Crankshaft	1
61	17-40050-00	Washer, Thrust	1
62	17-40048-00	Pin, Spiral, 5/32 Diameter x 5/8 lg.	2
63	34-01110-00	Key, Rotor Drive	1
64	17-21075-00	Washer, Rotor	1
65	17-21076-00	Washer, Star, Rotor, 5/8	1
66	17-21077-00	Tube Assembly, Equalizer	1
67	17-44115-01	Piston & Pin Pkg ( <b>Standard</b> ) - Includes:	6
67	17-44115-20	Piston & Pin Pkg ( <b>+0.020</b> ) - Includes:	A/R
68	<b>NSS</b>	Piston	1
69	17-40052-00	Pin, Piston	1
70	17-40053-00	Retainer, Piston Pin	2
71	17-40055-00	Ring, Compression ( <b>Standard</b> )	12
71	17-55025-00	Ring, Compression ( <b>+0.020</b> )	12
72	17-40056-02	Connecting Rod and Cap Assembly ( <b>Standard</b> ) - Includes:	6
72	17-55023-00	Connecting Rod and Cap Assembly ( <b>+0.010</b> ) - Includes:	6

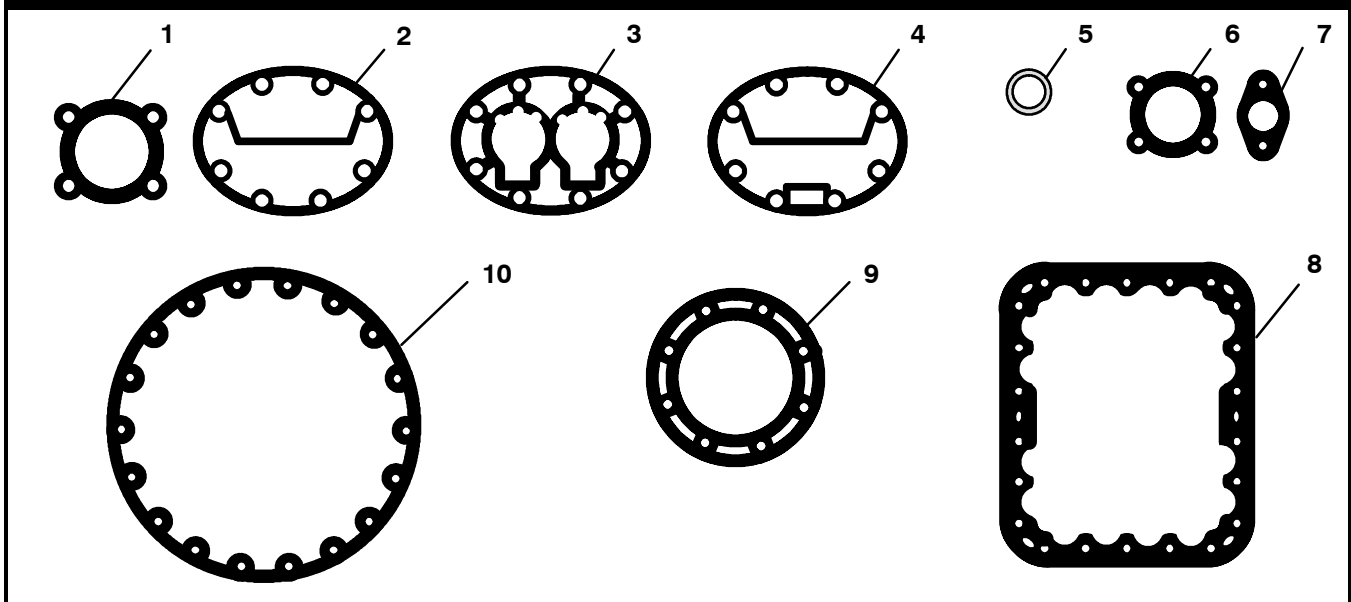
**4.6 CRANKSHAFT, ROD AND PISTON GROUP (Continued)**

Item	Part Number	Description	Qty
NS	17-40057-00	Pin, Dowel	2
73	17-55008-00	Capscrew - Special (Epoxy Coated)	2

**4.7 VALVE PLATE GROUP**

74	17-44109-00	Package, Valve Plate Assembly ( <b>All Banks - Canted</b> ) - Includes:	3
NS	<b>NSS</b>	Plate Assembly, Valve - Includes:	1
75	<b>NSS</b>	Plate, Valve	1
76	17-40086-00	Valve, Discharge	2
77	17-44160-00	Backer, Discharge Valve Stop	2
78	17-44113-00	Screw, Hex Head, 1/4-28 x 3/8 lg.	4
79	17-10715-00	Washer, Lock, 1/4	4
80	17-40082-00	Valve, Suction	2
81	17-40083-00	Spring, Suction Valve Positioning	2
30	17-44124-00	Gasket, Cylinder Head (Side Bank) - Coated Steel	1
50	17-44123-00	Gasket, Cylinder Head (Center Bank) - Coated Steel	1
82	17-55002-00	Gasket, Valve Plate	1
83	17-40057-00	Pin, Dowel (Valve Plate)	12

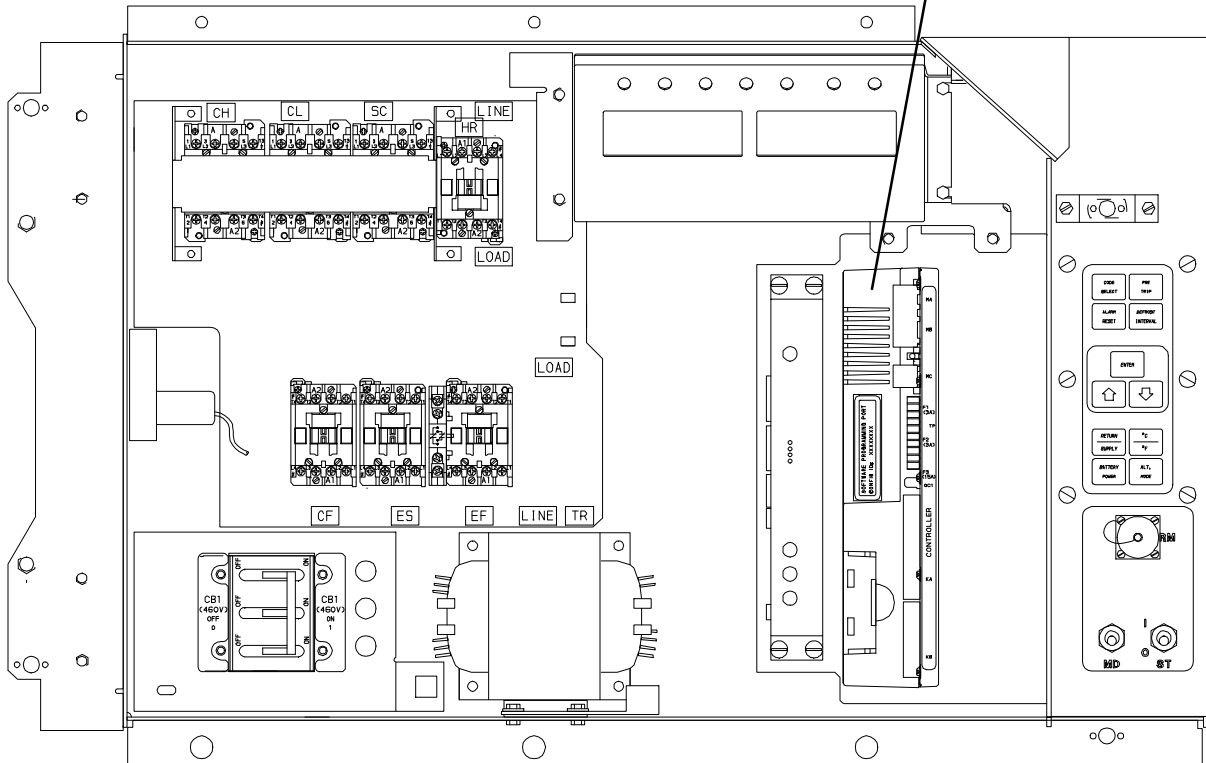
**4.8 GASKET SET**



Item	Part Number	Description	Qty
-	17-55020-21	Gasket Set - Includes:	1
1	17-40005-05	Gasket, Suction Service Valve (4 Bolt)	1
2	17-44124-00	Gasket, Cylinder Head - Side Bank (Standard)	2
3	17-55002-00	Gasket, Valve Plate	3
4	17-44123-00	Gasket, Cylinder Head - Center Bank	1
5	17-44021-00	Gasket, Sight Glass	2
6	17-40075-05	Gasket, Oil Pump Cover	2
7	17-10811-05	Gasket, Service Valve (2 Bolt)	2
8	17-40033-05	Gasket, Bottom Plate	2
9	17-44022-00	Gasket, Pump End Bearing Head	1
10	17-40029-05	Gasket, Motor End Cover	1

## 5 CONTROLLER/DATACORDER CONFIGURATION

Controller/DataCORDER Module



Part Number	Description	Qty
12-55002/5121	Controller - Un-Configured (See Note 1)	1
See Note 2	Controller - Configured (Container Unit Matrix)	1

### NOTES

1. The last four digits of the Part Number is the operation software revision.
2. The Controller/DataCORDER module is shipped with the operational software already loaded, however, when ordering this part number the end user must load the configuration software at the time of installation.

<b>6 TOOLS</b>	
<b>PART NO.</b>	<b>DESCRIPTION</b>
07-00013-00	Temperature Tester ( <b>Simpson Meter</b> )
07-00013-01	Temperature Test Lead ( <b>15 Foot</b> )
07-00013-02	Temperature Test Lead ( <b>50 Foot</b> )
07-00013-03	Adapter, Male (Both Ends) ( <b>Use with Temperature Tester</b> )
07-00015-00	Case, Carrying ( <b>Used with 07-00013-00</b> )
07-00450-00	Wrench, Compressor Sight Glass
07-00437-00	Inspection Light with Mirror
07-00228-00	Volt-Ohmmeter, Digital
07-00229-00	Amprobe Clamp ( <b>Used with 07-00228-00</b> )
07-00238-00	Wrench, Service Valve
07-00243-10	Multimeter, Digital ( <b>Fluke</b> )
07-00263-00	Pliers, Crimping (Used for compressor terminal block replacement)
07-00264-00	Grip, Wire Vise (Used for compressor terminal block replacement)
07-00277-00	Kit, Static Dissipative (Used for working on electronic components)
07-00304-00	Ground Strap, Wrist (Used for working on electronic components)
07-00294-00	Gauge Set, Manifold - <b>Fahrenheit/PSI</b>
07-00294-05	Gauge Set, Manifold - <b>Centigrade/KPa</b>
07-00295-00	Detector, Leak
07-00397-03	Extractor, Pin (Used on Fan Motor Plugs and Interrogator Plugs)
07-00397-02	Crimper, Pin (Used on Fan Motor Plugs and Interrogator Plugs)
07-00329-00	Extractor, Pin (Used on Controller module connectors)
07-00330-00	Crimper, Pin (Used on Controller module connectors)
07-00370-00	Crimper, Pin ( <b>Used on Stepper Valve, HPS</b> )
07-00387-00	Extractor, Pin ( <b>Used on Stepper Valve, HPS</b> )
07-00375-00	Tester, Portable, Stepper Motor Drive
07-00391-00	Application Gun (Used with 07-00390-00)
07-00398-00	Software Card Programmer
07-00408-00	Stepper Jumper Assembly
07-00418-00	Torx Driver Bit
<b>Refer to Manual 62-03213</b>	

# PART NUMBER INDEX

PART NO.	PAGE NO.	PART NO.	PAGE NO.	PART NO.	PAGE NO.
02-00010-01	57	07-00418-00	77	10-00333-02	11
02-00082-00	9	07-00421-00	69	10-00388-00	23
04-50027-00	35	07-00437-00	77	10-00416-00	13
04-50027-01	35	07-00450-00	77	10-00439-00	11
04-50029-00	19	09-00104-05	51	10-01129-07	11, 13
06DA403-844	27, 59	09-00114-00	51	10-01129-10	11
07-00013-00	77	09-00118-00	51	10-01129-11	13
07-00013-01	77	09-00119-00	51	10-01129-20	13
07-00013-02	77	09-00123-00	51	10-01139-04	65
07-00013-03	77	09-00128-00	51, 53, 55	10-0298-01	13
07-00015-00	77	09-00128-01	51, 53, 55	12-00275-19SV	17
07-00228-00	77	09-00136-00	51	12-00309-06	59
07-00229-00	77	09-00137-00	51	12-00342-02	39
07-00238-00	77	09-00180-00	51	12-00342-03	39
07-00243-10	77	09-00180-01	51	12-00342-04	39
07-00263-00	77	09-00209-00	51	12-00352-00	25, 27, 59
07-00264-00	77	09-00222-00	51	12-00395-01SV	28
07-00277-00	77	09-00236-00	51	12-00397-00/5121	15
07-00292-00	73	09-00296-00	51	12-00402-45	15
07-00294-00	77	09-00297-00	51	12-00421-00	50
07-00294-05	77	09-00298-00	51	12-00421-01	50
07-00295-00	77	09-00302-00	51	12-00421-02	50
07-00304-00	77	09-00303-00	51	12-00421-03	50
07-00313-00	1	09-00322-00	53	12-00433-00RP	17
07-00321-07/2.5	69	09-00325-00	53	12-00433-02RP	17
07-00329-00	77	09-00326-00	53	12-00464-05	55
07-00330-00	77	09-00329-00	53	12-00464-06	55
07-00345-00	1	09-00362-00	53	12-00474-00	65
07-00370-00	77	09-00363-00	53	12-00495-02SV	25, 27, 36
07-00375-00	77	09-00364-00	53	12-00500-01SV	36
07-00387-00	77	09-00365-00	53	12-00573-00SV	17
07-00390-00	9	09-00367-00	53	12-01071-01SV	26
07-00391-00	9, 77	09-00369-00SV	15	12-01094-00	53
07-00397-02	77	10-00083-05	65	12-01094-01	53
07-00397-03	77	10-00318-00	37	12-01095-00	53
07-00397-12	39	10-00332-21SV	11	12-01104-05	23
07-00398-00	77	10-00333-00	10, 13	12-01105-02	23
07-00408-00	77	10-00333-01	10	12-01124-01	59

# PART NUMBER INDEX

PART NO.	PAGE NO.	PART NO.	PAGE NO.	PART NO.	PAGE NO.
12-01124-02	59	17-40013-00	73	17-44139-00	74
12-01125-02	59	17-40016-01	73	17-44160-00	75
12-55458-00/5121	76	17-40018-05	73	17-44763-00	74
14-00204-02	23	17-40019-00	74	17-55002-00	75
14-00206-00	73	17-40020-00	73	17-55008-00	75
14-00206-01	23, 73	17-40029-05	74, 75	17-55009-01	74
14-00212-03SV	25, 27	17-40032-00	74	17-55020-21	75
14-00212-21	25, 27	17-40033-05	74, 75	17-55023-00	74
14-00215-03	26	17-40034-05	73, 74	17-55025-00	74
14-00215-06	25	17-40037-05	73, 74	18-00055-20SV	73
14-00220-00	26	17-40042-00	74	22-00041-00	1
14-00220-01	25	17-40048-00	74	22-00041-02	1
14-00221-01	25	17-40050-00	74	22-00049-01	13
14-00222-00	25	17-40052-00	74	22-00066-01	1
14-00244-02	29	17-40053-00	74	22-00066-02	1
14-00263-00	23	17-40055-00	74	22-00066-03	1
14-00263-20	23	17-40056-02	74	22-00119-04	1
14-00263-22	23	17-40057-00	75	22-00120-04	1
14-00263-23	23	17-40075-05	73, 75	22-00120-07	1
14-00273-03	29, 37	17-40082-00	75	22-00121-07	1
14-00341-02SV	25, 27	17-40083-00	75	22-00121-27	57
14-01032-14	25	17-40086-00	75	22-00518-01	13
14-01092-03	27	17-40093-05	73	22-00519-03	13
17-10715-00	75	17-40093-06	73	22-00595-01	1
17-10811-05	73, 75	17-40413-00	74	22-01106-00	1
17-10812-00	73	17-44021-00	74, 75	22-01107-00	1
17-20004-00	74	17-44022-00	74, 75	22-01139-04	1
17-20005-00	74	17-44037-00	74	22-01140-01	1
17-21002-01	27	17-44109-00	75	22-01140-02	1
17-21040-00	73	17-44113-00	75	22-01140-04	1
17-21062-00	74	17-44115-01	74	22-01141-01	1
17-21063-00	74	17-44115-20	74	22-01292-00	57
17-21075-00	74	17-44123-00	74, 75	22-01455-02	13
17-21076-00	74	17-44124-00	73, 75	22-01551-00	62, 63
17-21077-00	74	17-44128-00	73	22-01556-00	17
17-21201-00SV	74	17-44129-00	74	22-01556-01	15
17-40005-05	75	17-44136-00	74	22-01556-02	15
17-40007-00	74	17-44137-00	74	22-01566-00	23



# PART NUMBER INDEX

PART NO.	PAGE NO.	PART NO.	PAGE NO.	PART NO.	PAGE NO.
22-01566-01	23	22-01884-00	63	22-02413-00	39, 71
22-01585-04	23	22-01889-00	11	22-02418-02	69
22-01613-14	35, 39, 71	22-01891-00	63	22-02420-00	69
22-01613-15	35, 39	22-01892-00	35	22-02448-00SV	25
22-01613-34	35	22-01892-01	35	22-50007 Series	1
22-01614-02	35	22-01906-00	63	22-50088-00	35
22-01614-03	35	22-01931-00	63	22-50088-01	35
22-01614-05	35	22-01932-00	63	22-50100-00	15
22-01621-02	17	22-01959-01	56	22-50127-00	39
22-01621-03	17	22-02188-00	63	22-50157-00	15
22-01621-23	15	22-02232-00	63	22-01997-05	19
22-01622-00	15	22-02243-00	51	22-01997-10	19
22-01622-01	15	22-02302-03	73	24-00003-00	36, 37
22-01622-02	15	22-02322-00	63	24-00006-02	36, 37
22-01660-00	39	22-02324-01	62, 65	24-02019-02	57
22-01660-03	39, 71	22-02324-02	63	30-00407-02SV	15
22-01660-04	39	22-02324-05	62	34-00373-05	1, 25
22-01660-08	39	22-02336-02	1, 13, 15	34-00373-07	1, 25, 27
22-01679-00	65	22-02336-04	1, 15	34-00373-11	1, 23
22-01679-01	65	22-02341-00	11	34-00373-51	1
22-01713-02	17	22-02341-01	11	34-00373-53	1
22-01713-06	15	22-02368-00	11	34-00373-54	25, 27
22-01731-00	62	22-02370-00	53	34-00373-56	62
22-01731-01	62	22-02375-00	63	34-00373-59	1, 62
22-01734-01	65	22-02378-00	62	34-00373-65	1
22-01737-00	69	22-02392-00SV	59	34-00373-69	1
22-01737-01	69	22-02392-03	23	34-00373-71	1
22-01737-02	69	22-02393-00	23	34-00373-88	1
22-01743-00	69	22-02393-01	23	34-00616-06	35
22-01744-00	63	22-02394-02	23	34-00655-08	10, 57
22-01777-00SV	15	22-02394-03	23	34-00655-10	35
22-01777-01SV	15	22-02396-02	17	34-00655-28	35
22-01777-03	15	22-02396-03	17	34-00662-05	61
22-01777-04	15	22-02398-02	39	34-00662-11	30, 31, 57
22-01778-00	65	22-02398-03	39	34-00663-07	11
22-01835-00	23	22-02401-00	69	34-00663-09	7
22-01836-00	23	22-02412-00	39, 71	34-00663-11	35
22-01883-00	63	22-02412-02	71	34-00665-09	7

# PART NUMBER INDEX

PART NO.	PAGE NO.	PART NO.	PAGE NO.	PART NO.	PAGE NO.
34-00667-05	11, 61	34-06053-07	57	40-00086-04	27
34-00667-09	61, 65	34-06053-08	61	40-00123-02	59
34-00667-11	57, 62, 64	34-06053-13	51, 53, 55	40-00501-50	25
34-00667-14	57	34-06053-18	33	40-00520-00	73
34-00795-09	7, 51, 53, 55	34-06053-19	31	40-00520-01	25, 27, 73
34-00795-17	35	34-06092-00	33	40-00520-02	23, 73
34-00829-13	57	34-06107-00	7	40-00520-03	25, 27
34-00848-10	11	34-06126-08	61	40-00523-00	73
34-00849-22	57	34-06139-03	9	40-00523-01	73
34-00928-01	9, 11, 51, 53	34-06154-00	30, 31	40-00542-00	23
34-00928-02	9, 41, 43, 45, 47, 49	34-06165-09	35	40-00555-06	27
34-00928-03	9, 41, 43, 45, 47, 49	34-06169-00	7, 51, 53, 55	40-01129-00	26
34-00928-04	45	34-06179-00	51, 53, 55	42-00174-38	71
34-00928-09	25, 27, 33, 41, 43, 45, 47, 49	34-06179-04	51, 53, 55	42-00233-01	33
34-01110-00	74	34-06183-00	33	42-00270-02	7
34-01142-01	9, 11, 51, 53	34-06185-01	31	42-00295-00	33
34-01150-03	47, 49	34-06221-00	65	42-00295-01	33
34-01150-04	43, 45	34-06223-00	13, 17	42-00296-00	31
34-01150-06	47, 49	34-06227-00	11	42-00296-01	30, 31
34-01150-30	43, 45, 47, 49	34-06231-01	9	42-00327-00	30, 31
34-01150-31	45, 47, 49	34-06231-03	9	42-00334-00	41, 43, 45, 47, 49
34-01152-02	9	34-06231-04	9	42-00407-00	31
34-01167-01	7, 61	34-06231-05	9	42-00465-00	33
34-01178-22	36	34-06231-06	9	42-00470-00	65
34-06053-00	7, 23, 25, 27, 30, 31, 33, 51, 53, 55, 57, 64, 57	34-06231-07	9	42-00611-00	7
34-06053-01	25, 27, 57	34-50015-00	9	42-01098-01	51, 53, 55
34-06053-02	25, 27, 55, 57, 61, 62, 64	34-00663-11	20	42-50000-00	26
34-06053-03	7, 11, 13, 23, 25, 27, 55, 56, 59, 61, 64, 65, 73	34-00667-12	19	44-00300-01	7
34-06053-05		34-00928-07	20, 21	44-00300-02	7
		34-01181-01	19	44-00300-03	7
		34-06051-36	20	44-00340-03	61
		34-06053-02	19	44-00340-05	61
		34-06053-03	20, 21	44-00343-00	9
		34-06169-00	21	44-00370-03	57
		34-06179-00	21	44-00374-00	51, 53, 55
		38-00508-00	35	44-00376-00	43
		38-00585-00	19	44-01043-05	1
		40-00060-02	59	44-01043-07	1

# PART NUMBER INDEX

PART NO.	PAGE NO.	PART NO.	PAGE NO.	PART NO.	PAGE NO.
44-00374-00	21	58-04366-00SV	7	62-02743-13	67
48-00262-00	35	58-04389-00	7	62-02743-14	67
54-00585-20	35	58-04480-00	19	62-02743-15	67
54-00586-20	19	58-04481-00	19	62-02743-16	67
58-00065-67	55	58-04668-00	9	62-02743-17	67
58-00065-70	55	58-04668-21	9	62-02743-18	67
58-00616-00	36	58-50014-00	27	62-02743-19	67
58-00956-00	26	58-04101-07	21	62-02783-00	31
58-00957-00	26	62-02444-01	66	62-02785-00	66
58-00967-00	10	62-02458-00	66	62-02822-01	41, 43
58-01184-00	15, 17	62-02530-01	66	62-02874-00	13
58-04001-01	61	62-02562-00	66	62-02874-01	13
58-04001-02	61	62-02562-01	66	62-02874-02	13
58-04026-07	62, 64	62-02719-00	15	62-03957-02	9
58-04026-10	19	62-02720-00	67	62-10259-00	66
58-04026-17	64	62-02721-00	66	62-10532-00	67
58-04026-22	61, 65	62-02721-03	66	62-10532-01	67
58-04026-23	25	62-02723-00	67	62-10532-02	67
58-04026-41	19	62-02723-01	67	62-10532-03	67
58-04066-00	35	62-02723-02	67	62-10532-04	67
58-04101-00	7	62-02723-03	67	62-10532-06	67
58-04101-01	7	62-02723-04	67	62-10557-00	5
58-04101-07	51, 53, 55	62-02723-05	67	62-10769-00	66
58-04145-00	11	62-02723-06	67	62-02785-00	19
58-04145-01	11	62-02723-09	67	62-11273-00	20
58-04145-06	13	62-02723-10	67	65-00144-00	36, 37
58-04145-07	13	62-02723-11	67	66CH1-1002-33	33
58-04145-09	13	62-02735-00	15	66CH1-1172-16	19
58-04246-00	55	62-02738-05	15	66CH1-1172-46	11
58-04251-00	31	62-02743-00	67	66U1-1214-13	29
58-04263-01	33	62-02743-01	67	66U1-2403	9, 11, 41, 43, 45, 61
58-04276-00	28	62-02743-02	67	66U1-2403-1	7
58-04277-00SV	28	62-02743-04	67	66U1-2552-185	30, 31
58-04278-00	28	62-02743-07	67	66U1-2583	62
58-04279-00	28	62-02743-08	67	66U1-2583-1	63
58-04290-00	35	62-02743-09	67	66U1-2603	61, 64
58-04316-00	57	62-02743-10	67	66U1-2763-5	26
58-04346-00	7	62-02743-12	67		

# PART NUMBER INDEX

PART NO.	PAGE NO.	PART NO.	PAGE NO.	PART NO.	PAGE NO.
66U1-2763-6	26	66U1-6651-4	11	68-12658-01	55
66U1-2803-10	45	66U1-6782	63	68-12791-00	9
66U1-3442-2	17	66U1-6782-3	63	68-12881-00	43
66U1-3632-24	23	66U1-6811-15	7	68-12881-01	43
66U1-3803	1, 25, 57	66U1-6811-8	7, 51, 53, 55	68-12960-00	56
66U1-3803-1	1, 36	66U1-6835	11	68-12993-00	57
66U1-3823	10	66U1-6912-16	36	68-13181-00	37
66U1-3882	55, 57	66U1-7472-1	1	68-13201-01	19
66U1-5321-13	31	66U1-7842-13	11	68-13310-00	61
66U1-5321-3	33, 35	66U1-7982-2	41, 43	68-13310-01	61
66U1-5321-5	25, 27, 57	66U1-8075	41, 43, 45, 47, 49	68-13427-00SV	10
66U1-5321-6	11	66U1-8115	31	68-13455-00	19
66U1-5321-7	25, 27, 28, 33, 51, 53, 55, 57, 61, 62, 64	66U1-8552-2	27	68-13455-03	19
66U1-5321-8	7, 11, 13, 23, 37, 56, 57, 59, 61, 64, 65, 73	66U1-8662	5	68-13472-01	59
66U1-5331-3	7, 61	66U1-9212-1	17	68-13472-03SV	59
66U1-5361-11	57, 62, 64	66U1-9752	11, 13	68-13475-00	41, 47
66U1-5361-25	25, 27, 33, 36, 51, 53, 55, 57, 61, 64	66U1-9782	62, 63	68-13475-01	41, 45, 47
66U1-5361-46	73	66U1-9782-1	63	68-13475-04	45
66U1-5361-7	25, 27, 57	66U1-5361	19	68-13475-08	41, 47
66U1-5362-2	31	66U1-5361-25	20	68-13475-09	41, 47
66U1-5371-10	11, 37	66U1-6811-12	21	68-13577-00	7
66U1-5371-6	13, 25, 27, 56, 57, 59	66U1-6811-8	21	68-14796-00	11
66U1-5371-7	7, 11, 15, 17, 28, 64, 73	66U2-1132-1	25	68-14796-01	13
66U1-5381	10	66U2-1142	26	68-14796-02	11, 13
66U1-5381-1	23, 62	66U2-1152	26	68-14796-03	11
66U1-5391-3	10, 13	66U2-1531	65	68-14796-04	13
66U1-5562-7	73	68-12368-00	27	68-14796-05	11
66U1-6225	29	68-12417-00	4	68-14796-06	11
66U1-6651-15	10	68-12432-00	57	68-12635-03	21
66U1-6651-19	59	68-12432-01	57	68-12635-04	21
		68-12432-02	57	68-12635-05	20
		68-12432-03	57	68-12635-06	20
		68-12434-02	71	68-12635-21	21
		68-12496-00	10	68-12635-22	20
		68-12523-00	57	69NP20-1031	27
		68-12544-01	13	69NT-34-8248	57
		68-12553-00	71	69NT-43-468	1
				69NT-46-468-1	1

# PART NUMBER INDEX

PART NO.	PAGE NO.	PART NO.	PAGE NO.	PART NO.	PAGE NO.
69NT20-2083	73	69NT35-8032	61	69NT41-782	33
69NT20-513-1SV	73	69NT35-8113	4	69NT41-852-1	33
69NT20-513SV	73	69NT35-8218	66	69NT41-942-3	41, 43, 45
69NT35-1287-1	33	69NT35-8348	33	69NT41-942-4	47
69NT35-1417	33	69NT35-8382	61, 65	69NT41-942-5	49
69NT35-2257	41	69NT35-8548	4	69NT41-982-3	11
69NT35-2287	9	69NT35-8693-10	19	69NT41-992	39
69NT35-2692	15, 41, 43, 45	69NT35-8693-7	19	69NT42-688-7	7
69NT35-2692-1	33, 35, 36, 51, 53, 55	69NT35-8703	19	69NT42-914	26
69NT35-2692-4	17	69NT35-8734-12	35	69NT42-914-1	26
69NT35-3282	47, 49	69NT35-8734-14	35	69NT43-124-4SV	9
69NT35-3286	45	69NT35-8734-16	35	69NT43-125-1	9
69NT35-3296	45	69NT35-8734-4	35	69NT43-148-4	19
69NT35-3867	66	69NT35-8734-5	35	69NT43-175	39
69NT35-3907	66	69NT35-8734-6	35	69NT43-176	39, 71
69NT35-3987	4	69NT35-9238	33	69NT43-202-10SV	19
69NT35-3997-1	4	69NT35-2692-1	20, 21	69NT43-208-3	36
69NT35-4047	33	69NT35-3452	19	69NT43-208-5	36
69NT35-5022-5	51, 53, 55	69NT35-3452-1	19	69NT43-277	25
69NT35-5022-6	7	69NT35-3452-2	19	69NT43-283	35
69NT35-5352-1	51, 53, 55	69NT35-3452-3	19	69NT43-284	35
69NT35-5992	61, 64	69NT35-6112	19	69NT43-285	35
69NT35-6118	66	69NT40-222	11, 71	69NT43-295	35
69NT35-6132	57	69NT40-402-1	53	69NT43-307	33
69NT35-6272	9	69NT40-507-1	39	69NT43-374	64
69NT35-6278	11	69NT40-567-2	43	69NT43-403-2	25
69NT35-6348	35	69NT40-657-2	4	69NT43-420	25, 27
69NT35-6412	62, 64	69NT40-976-3	33	69NT43-464	41, 43, 45, 47, 49
69NT35-6412-1	62, 64	69NT41-106-2	59	69NT43-469	57
69NT35-6412-2	62, 64	69NT41-106-2SV	59	69NT43-470	65
69NT35-6522	36	69NT41-192	71	69NT43-470-1	65
69NT35-6532	36	69NT41-477	27	69NT43-470-2	65
69NT35-6598	49	69NT41-487	27	69NT43-471	45
69NT35-6598-1	49	69NT41-497	27	74-00201-01	31
69NT35-7012	33	69NT41-543	59	74-00201-02	31
69NT35-7662-2	43	69NT41-553	59	76-00355-00	73
69NT35-7662-3	45	69NT41-702	23	76-00384-00	73
		69NT41-724-4	61		

# PART NUMBER INDEX

PART NO.	PAGE NO.	PART NO.	PAGE NO.	PART NO.	PAGE NO.
76-00397-00	1	76-50084-00SV	9	86-04637-00	20, 21
76-00667-05	65	76-50094-00	57	86-04637-01	20, 21
76-00670-01	65	76-50141-00	17	86-04637-02	20, 21
76-00670-02	65	79-01694-00	31		
76-00670-03	65	79-01697-06SV	30	<b>A</b>	
76-00670-04	65	79-01697-14	31	AA06JA166	36
76-00675-01	37	79-01706-05SV	11	AA06JA170	64
76-00677-00	27	79-01757-00	26	AA06JA232	57
76-00681-01	35	79-01902-00	31	AD61JA124	73
76-00684-00	39	79-01902-01	31	AU11JR171	36, 64
76-00701-00	50	79-66635-00	20	AU11JR241	25, 27, 57
76-00701-01	50	79-66635-01	20		
76-00701-02	53	79-66635-02	20	<b>C</b>	
76-00701-03	53	79-66635-03	21	CA21JA051	59
76-00701-04	50	79-66635-04	21		
76-00701-05	51, 53, 55	79-66635-05	21	<b>D</b>	
76-00701-06SV	53, 55	79-66635-06	21	DE40BA203	25, 27
76-00701-10	55	79-66635-07	21		
76-00701-11	55	79-66635-08	21	<b>E</b>	
76-00701-12	50	81-01472-00	23	EC39DM062	25
76-00724-00SV	9	81-01549-00	37		
76-00760-00	39	81-01575-00SV	19		
76-50058-00	69	86-04217-00	51		
76-50059-00	69				



A member of the United Technologies Corporation family. Stock symbol UTX  
©2008 Carrier Corporation • Printed in U. S. A. 01/08



## **Carrier**

A United Technologies Company

Carrier Transicold Division,  
Carrier Corporation  
Container Products Group  
P.O. Box 4805  
Syracuse, N.Y. 13221 U.S.A

[www.carrier.transicold.com](http://www.carrier.transicold.com)