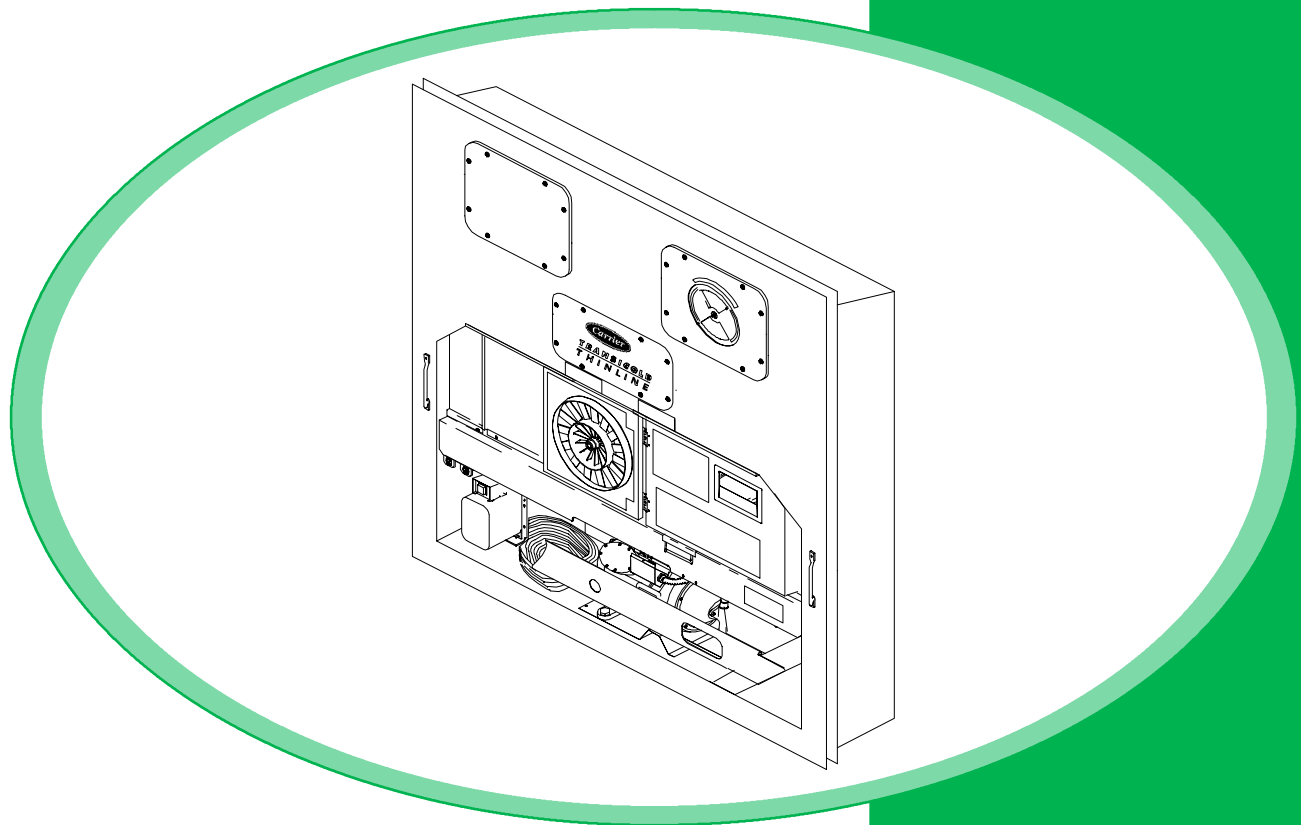


Carrier
Transicold
Container
Refrigeration

Models 69NT40-511-310,344 & 359



Service Parts List



TRANSICOLD

SERVICE PARTS LIST CONTAINER REFRIGERATION UNIT

MODELS 69NT40-511-310, 344 & 359

Carrier Transicold. A member of the United Technologies Corporation family. Stock symbol UTX.
Carrier Transicold Division, Carrier Corporation, P.O. Box 4805, Syracuse, N.Y. 13221 U. S. A.

© 2003 CarrierCorporation D Printed in U. S. A. 9/03



Carrier

A United Technologies Company

TABLE OF CONTENTS

INTRODUCTION	iii
CONFIGURATION IDENTIFICATION	iii
OPTION DESCRIPTIONS	iii
ORDERING INSTRUCTIONS	iv
LETTER DESIGNATIONS	iv
1 QUICK LIST - CLAMPS, FILTER-DRIER, FUSE, TY-RAPS, AND WIRE TERMINALS	1
2 REFRIGERATION UNIT ASSEMBLY	2
2.1 REFRIGERATION UNIT - AREA LOCATOR	2
2.2 RAIN GUTTERS	4
2.5 CONTROL BOX DOOR	6
2.6 CONTROL BOX	8
2.7 CONTROL BOX - SHIELDS REMOVED,STD ELECTRICAL COMPONENTS, RM & HOURMETER	10
2.8 CONTROL BOX - SHIELDS REMOVED, EVAP FAN CAPABILITY, EBS and EDS, EBS ONLY and CFS ..	12
2.9 CONTROL BOX - CONTROLLER MODULE SECTION AND SOFTWARE CARDS	14
2.10 CONTROL BOX - DISPLAY MODULE AND COMMUNICATIONS INTERFACE MODULE SECTION ...	16
2.11 CONDENSER FAN MOTOR AND CONDENSER COIL SECTION	18
2.12 COMPRESSOR TUBING SECTION	20
2.13 RECEIVER SECTION	22
2.14 WATER-COOLED CONDENSER SECTION	24
2.15 RRS AND RTS SECTION	26
2.16 USDA SECTION	27
2.17 UPPER FRESH AIR MAKE-UP AND ACCESS PANEL SECTION	28
2.18 LOWER FRESH AIR MAKE-UP VENT	30
2.19 EVAPORATOR FAN ASSEMBLY	32
2.20 EVAPORATOR COIL SECTION - REAR PANELS REMOVED	34
2.21 BACK PANEL ASSEMBLY - OPTION 1 - ALUMINUM BOLTED	36
2.22 BACK PANEL ASSEMBLY - OPTION 4 - ALUMINUM HINGED	38
2.23 BACK PANEL ASSEMBLY - OPTION 8 - HINGED ALUMINUM W/DRAIN ACCESS DOOR ..	40
2.24 PARTLOW TEMPERATURE RECORDER	42
2.25 SAGINOMIYA TEMPERATURE RECORDER	44
2.26 OPTION 7 AND OPTION 8 - ELECTRONIC PARTLOW TEMPERATURE RECORDER	46
2.27 OPTION 9 - NO TEMPERATURE RECORDER	46
2.28 COMPRESSOR MOUNTING, GUARD, CRANKCASE AND DRAIN LINE HEATER COMPONENTS	48
2.29 COMPRESSOR GAUGES AND TRANSDUCERS	50
2.30 CABLE RESTRAINT COMPONENTS	52
2.31 VOLTAGE CABLES	54
2.32 AUTOTRANSFORMER KIT	56
2.33 LABELS AND DECALS	58
3 INTERROGATOR AND ACCESSORIES	60
3.1 DATAREADER	60
3.2 INTERROGATOR RECEPTACLE	62
4 COMPRESSOR ASSEMBLY	64
4.1 GASKET SET	67
5 CONTROLLER/DATACORDER CONFIGURATION	68
6 TOOLS	69

INTRODUCTION

1 INTRODUCTION

The Carrier Transicold model 69NT40-511-310 units are of lightweight aluminum frame construction, designed to fit in the front of a container and serve as the container front wall.

2 CONFIGURATION IDENTIFICATION

Unit identification information is provided on a plate located near the compressor. The plate provides the unit model number, the unit serial number and the unit parts identification number (PID). The model number identifies the overall unit configuration while the PID provides information on specific optional equipment, factory provision to allow for field installation of optional equipment and differences in detailed parts.

Configuration identification for the models covered herein are provided in the Carrier Transicold Container Unit Matrix manual, publication T-300. Printed copies of the T-300 may be obtained from Carrier Transicold. Also, a weekly updated copy may be found at the Carrier Web site, www.carrier.refrigeration.com.

3 OPTION DESCRIPTIONS

Various options may be factory or field fitted to the base unit. These options are listed in the tables and described in the following subparagraphs.

3.1 Battery

The refrigeration controller may be fitted with standard replaceable batteries or rechargeable battery pack.

3.2 Dehumidification

The unit may be fitted with a humidity sensor. This sensor allows setting of a humidity set point in the controller. In the dehumidification mode the controller will operate to reduce internal container moisture level.

3.3 Control Box

The control box may be of aluminum or composite material and each type box may be fitted with a lockable door.

3.4 Temperature Readout

The unit may be fitted with suction and discharge temperature sensors. The sensor readings may be viewed on the controller display.

3.5 Pressure Readout

The unit may be fitted with suction and discharge pressure gauges or suction and discharge transducers or no pressure readout. The transducer readings may be viewed on the controller display.

3.6 USDA

The unit may be supplied with fittings for additional temperature probes which allow recording of USDA Cold Treatment data by the integral DataCORDER function of the Micro-Link refrigeration controller.

3.7 Interrogator

Units that use the DataCORDER function are fitted with interrogator receptacles for connection of equipment to download the recorded data. Two receptacles may be fitted, one accessible from the front of the container and the other mounted inside the container (with the USDA receptacles).

3.8 Remote Monitoring

The unit may be fitted with a remote monitoring receptacle. This item allows connection of remote indicators for COOL, DEFROST and IN RANGE. Unless otherwise indicated, the receptacle is mounted at the control box location.

3.9 Communications.

The unit may be fitted with a communications interface module. The communications interface module is a slave module which allows communication with a master central monitoring station. The module will respond to communication and return information over the main power line. Refer to the ship master system technical manual for further information.

3.10 Compressor

The unit is fitted with a single speed reciprocating compressor.

3.11 Condenser Coil

The unit may be fitted with a 2 row or 4 row coil using nominal 3/8 inch tubing, or the unit may be fitted with a 3 row coil using 7mm tubing. The required refrigerant charge is different for each coil.

3.12 Autotransformer

An autotransformer may be provided to allow operation on 190/230, 3phase, 50/60 hertz power. The autotransformer raises the supply voltage to the nominal 380/460 volt power required by the base unit. The autotransformer may also be fitted with an individual circuit breaker for the 230 volt power.

If the unit is fitted with an autotransformer and communications module, the autotransformer will be fitted with a transformer bridge unit (TBU) to assist in communications.

3.13 Temperature Recorder

One of three temperature recording devices may be fitted to the unit. The devices include a mechanical recorder manufactured by Partlow Corporation, a mechanical recorder manufactured by Saginomiya Corporation, and an electronic recorder manufactured by Partlow Corporation.

3.14 Gutters

Rain gutters may be fitted over the control box and recorder section to divert rain away from the controls. The different gutters include standard length bolted gutters, extended length gutters and riveted gutters.

3.15 Handles

The unit may be fitted with handles to facilitate access to stacked containers. These handles may include fixed handles (located at the sides of the unit) and/or a hinged handle at the center (attached to the condenser coil cover).

3.16 Thermometer Port

The unit may be fitted with ports in the front of the frame for insertion of a thermometer to measure supply and/or return air temperature. If fitted, the port(s) will require a cap and chain.

3.17 Water Cooling

The refrigeration system may be fitted with a water cooled condenser. The condenser is constructed using copper-nickel tube for sea water applications. The water cooled condenser is in series with the air cooled condenser replaces the standard unit receiver. When operating on the water cooled condenser, the condenser fan is deactivated by either a water pressure switch or condenser fan switch.

3.18 Back Panels

Back panel designs that may be fitted include panels of aluminum and stainless steel. Panels may be fitted with access doors and/or hinge mounting.

3.19 460 Volt Cable

Various power cable and plug designs are available for the main 460 volt supply. The plug options tailor the cables to each customer's requirements.

3.20 230 Volt Cable

Units equipped with an autotransformer require an additional power cable for connection to the 230 volt source. Various power cable and plug designs are available. The plug options tailor the cables to each customer's requirements.

3.21 Cable Restraint

Various designs are available for storage of the power cables. These options are variations of the compressor section front cover.

3.22 Upper Air (Fresh Air Make Up)

The unit may be fitted with an upper fresh air makeup assembly. The openings may also be fitted with screens.

3.23 Lower Air (Fresh Air Make Up)

The unit may be fitted with a lower fresh air makeup assembly. These assemblies are supplied in two designs, the standard design and the macro design. The openings may also be fitted with screens.

3.24 Arctic Mode

To improve operation in cold ambients, the unit may be fitted with a crankcase heater and/or a condensate drain line heater. The crankcase heater is operated, before start-up, to warm the compressor oil and boil off any liquid refrigerant that may be present in the crankcase. The drain line heater is operated to prevent freezing of the evaporator condensate drain system.

3.25 Humidification

The unit may be equipped with the Carrier Transicold NatureFresh humidity management system. The system includes a water tank, water pump, water heater and atomizer along with various control and monitoring devices. It is designed to add additional moisture into the supply air for control of cargo moisture level. A separately bound manual covering operation and parts for the CTD NatureFresh System is available, see the following chart.

Manual Number	Equipment Covered	Type of Manual
T-297	Humidity Management System Option	Technical Supplement

3.26 Power Correction

The unit may be fitted with a set of power factor correction capacitors to assist in correction of imbalance in current draw by the compressor.

3.27 Evaporator

Evaporator section options include a hermetic thermal expansion valve and two sizes of heat exchangers.

3.28 Evaporator Fan Operation

The units are fitted with Normal Evaporator Fan Operation, opening of an evaporator fan internal protector will shut down the unit.

3.29 Labels

Operating Instruction and Function Code listing labels will differ depending on the options installed. For example, additional operating instructions are required to describe start-up of a unit equipped with an autotransformer. Where the labels are available with additional languages, they are listed in the parts list.

3.30 Plate Set

Each unit is equipped with a tethered set of wiring schematic and wiring diagram plates. The plate sets are ordered using a seven digit base part number and a two digit dash number. (See Unit Matrix Manual, T-300)

3.31 Controller

Replacement controllers may be ordered as a universal un-configured controller (without configuration software) or configured.

3.32 Stepper Drive

All the units covered by this manual have suction modulating valves which act to control system capacity. Units indicated as being fitted with "stepper drive" have digital control motors fitted to the suction modulating valve to open and close the valve in steps as required.

3.33 Condenser Grille

Two styles of condenser grilles are available, direct bolted grilles and hinged grilles.

3.34 Emergency Bypass

The unit may be equipped with switches to allow emergency bypass of the controller. The EMERGENCY BYPASS switch functions to bypass the controller in the event of controller failure. The EMERGENCY DEFROST switch functions to bypass the all controls and place the unit in the defrost mode.

OPTION LEGEND

General	
-	Feature Not Applicable
X	Features that apply to model
P	Factory Installation of Equipment to Allow Field Installation
Battery Codes	
S	Standard (throw away) Cells
R	Rechargeable Cells
Control Box Codes	
C	Composite Box Without Door Lock
CL	Composite Box With Door Lock
Pressure Readout Codes	
T	Factory Installed Pressure Transducers
G	Factory Installed Pressure Gauges
SG	Factory Installed Suction Gauge
USDA Codes	
D	Option D
V	Option V
1	Option 1
2	Option 2
Interrogator Codes	
1	Left Straight Mount
2	Right Mount
3	Box Mount
4	Left Mount
5	Left Angled Mount
6	Right Mount

Communications Codes	
1	Standard
2	High Data Rate
3	Chipset Modem
4	Low Data Rate
Compressor Codes	
1R	Single Speed Reciprocating
Condenser/Receiver Codes	
3	Three Row Coil
4	Four Row Coil
AutoTransformer Codes	
1	Transformer Fitted
2	Transformer With CB2 Fitted
3	Transformer With CB2 and Receptical
4	Transformer With CB2 and Transformer Bridging Unit
Temperature Recorder Codes	
1	Partlow Without Probe
2	Partlow With Probe
3	Battery Operated Parlow Without Probe
4	Battery Operated Parlow With Probe
5	Saginomiya Without Probe
6	Saginomiya With Probe
7	Standard Electronic Partlow
8	Special Electronic Parlow
9	No Temperature Recorder
10	Electronic Partlow (Both)

Gutter Codes	
1	Standard Length Bolted Gutters
3	Extended Length Gutters
4	Riveted Gutters
Handle Codes	
1	Two Side and One Center
2	Two Side
3	One Center
4	One Right Side and Two Center
Thermometer Port Codes	
1	Supply Air Port
2	Return Air Port
B	Both Ports
Water Cooling Codes	
W	Water Pressure Switch
F	Condenser Fan Switch
Back Panel Codes	
1	Bolted Panels
4	Hinged Panels
7	Hinged Panels With Drain Access Door
460 Volt Cable Codes	
1	Option 1
2	Option 2
3	Option 3
4	Option 4
5	Option 5
6	Option 6
7	Option 7
8	Option 8
9	Option 9
230Volt Cable Codes	
1	Option 1
2	Option 2
3	Option 3
4	Option 4
5	Option 5
6	Option 6
7	Option 7
8	Option 8
9	Option 9
10	Option 10

Cable Restraint Codes	
1	Cable Door
2	Left Bungy Cord Only
3	J-Hook
4	Left and Right Bungy Cord
5	Left Bungy Cord With Left Extended Guard
6	Left & Right Bungy Cords With Extended Guards
R	Dummy Receptical
Upper Air Codes	
1	No Upper Fresh Air
2	Upper Fresh Air Installed
3	Upper Fresh Air Installed With Screen
Lower Air Codes	
1	No Lower Fresh Air
2	Lower Fresh Air Installed
3	Lower Fresh Air With Screen Installed
Controlled Atmosphere	
1	TransFresh
2	Carrier Transicold Everfresh System
Arctic Mode Codes	
C	Crankcase Heater
L	Drainline Heater
B	Both Crankcase Heater & Drainline Heater
Condenser Grille Codes	
B	Bolted Grille
H	Hinged Grille
Evaporator Codes	
1	Original Coil with Semi-Hermetic TXV & Standard Heat Exchanger
2	Coil With Hermetic TXV & Standard Heat Exchanger (4 Heaters)
3	Coil With Hermetic TXV & Large Heat Exchanger (4 Heaters)
4	Helicox Hatched
5	Coil With Hermetic TXV & Standard Heat Exchanger (6 Heaters)
Evaporator Fan Codes	
1	Normal Evaporator Fan Operation
2	Single Evaporator Fan Operation Capability

Label Codes	
1	English
2	English / Spanish
3	English / French
4	English / Korean
5	English / Traditional Chinese
6	English / Simplified Chinese
7	English / Japanese / Chinese
8	English/German
Emergency Bypass Codes	
B	Emergency Bypass & Emergency Defrost
EB	Emergency Bypass Only
Lower Air Codes	
1	No Lower Fresh Air
2	Lower Fresh Air Installed
3	Lower Fresh Air With Screen Installed
Controlled Atmosphere	
1	TransFresh
2	Carrier Transicold Everfresh System

Arctic Mode Codes	
C	Crankcase Heater
L	Drainline Heater
B	Both Crankcase Heater & Drainline Heater
Condenser Grille Codes	
B	Bolted Grille
H	Hinged Grille
Evaporator Codes	
4	Helicox Hatched
6	Streamline Coil
Evaporator Fan Codes	
1	Normal Evaporator Fan Operation
Label Codes	
1	English
2	English / Spanish
5	English / Traditional Chinese
Emergency Bypass Codes	
B	Emergency Bypass & Emergency Defrost
EB	Emergency Bypass Only

Ordering Instructions

All orders and inquiries for parts must include: Parts Identification Number (**PID**), Model Number, Unit Serial Number, Part Number, Description of part as shown on list and Quantity required. Address all correspondence for parts to the following address:

CARRIER TRANSICOLD DIVISION
 Replacement Components Group, TR-20
 P.O. Box 4805, Syracuse, New York 13221
 or FAX to: (315) 432-3778

Letter Designations

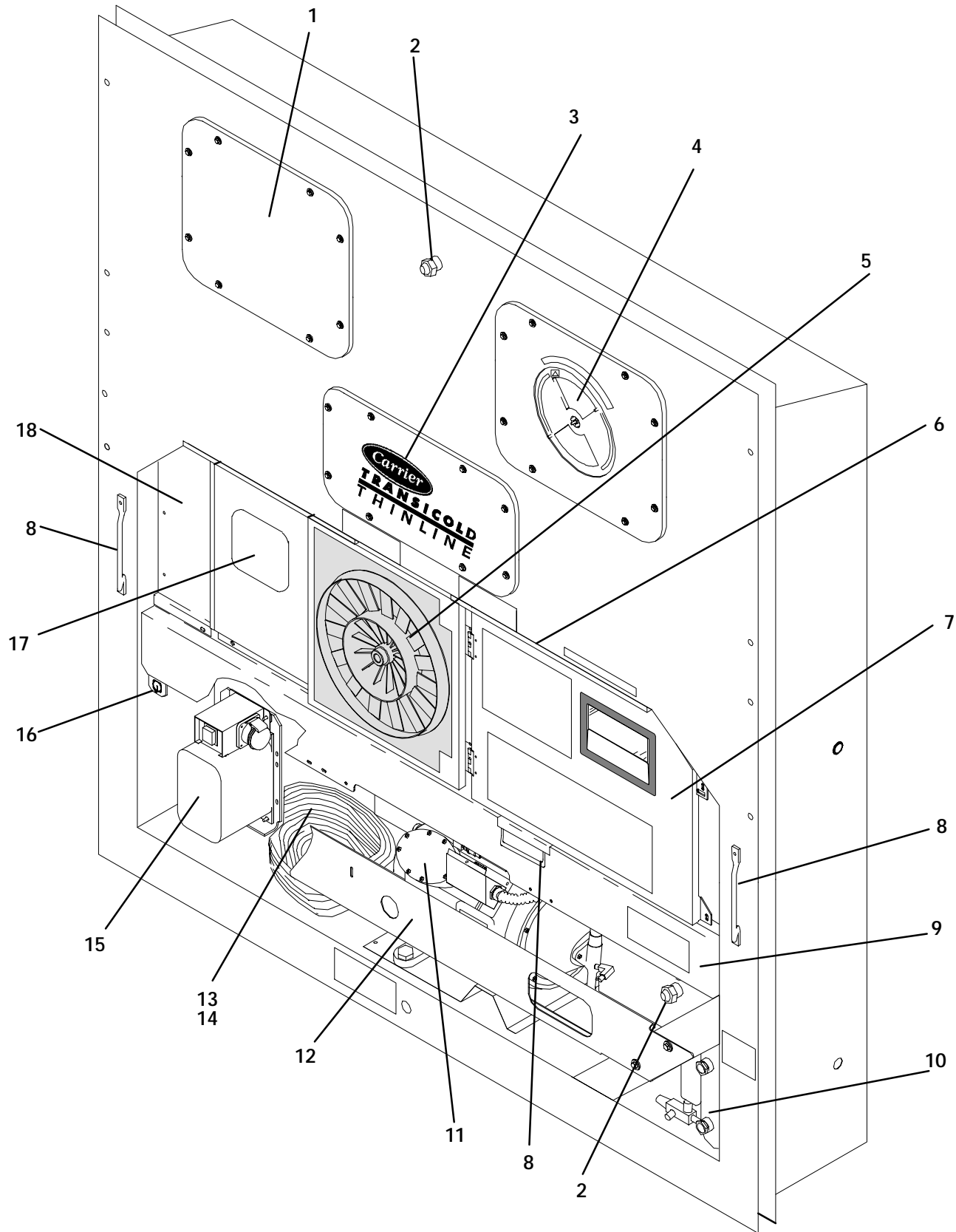
The following letter designations are used to classify parts throughout this list:

- A/R = *As Required*
- N/A = *Not Available*
- NS = *Not shown in illustration*
- NSS = *Not sold separately* - Order next higher assembly or kit
- PID = *Parts Identification Number* - essential to identify unit configuration.
- PL = *Purchase Locally*
- SST = *Stainless Steel* - 300 Series unless otherwise specified.
- SV = *Suffix SV* - added to part number designates service replacement part.

1 QUICK LIST - CLAMPS, FILTER-DRIER, FUSE, TY-RAPS, AND WIRE TERMINALS	
PART NO.	DESCRIPTION
34-00373-51	Clamp, Tube, 1/4 - SST
34-00373-53	Clamp, Tube, 3/8 - SST
34-00373-05	Clamp, Tube, 1/2 - SST
34-00373-07	Clamp, Tube, 5/8 - SST
34-00373-59	Clamp, Tube, 3/4 - SST
34-00373-11	Clamp, Tube, 7/8 - SST
34-00373-65	Clamp, Tube, 1-1/8 - SST
34-00373-67	Clamp, Tube, 1-1/4 - SST
34-00373-69	Clamp, Tube, 1-3/8 - SST
34-00373-71	Clamp, Tube, 1-1/2 - SST
22-00066-01	Connector, Butt End, Wire Range - 22 to 16 AWG
22-00066-02	Connector, Butt End, Wire Range - 16 to 14 AWG
22-00066-03	Connector, Butt End, Wire Range - 12 to 10 AWG
22-00041-00	Connector, Closed End, Wire Range - 22 to 14 AWG
22-00041-02	Connector, Closed End, Wire Range - 18 to 10 AWG
66U1-7472-1	Filter-Drier
22-02336-02	Fuse, 5 Amp (F1 & F2)
22-02336-04	Fuse, 10 Amp (F3)
22-01140-01	Ring Terminal, #6, Wire Range - 12 to 10 AWG
22-01140-02	Ring Terminal, #10, Wire Range - 12 to 10 AWG
22-01140-04	Ring Terminal, 3/8, Wire Range - 12 to 10 AWG
22-00119-04	Ring Terminal, 1/4, Wire Range - 12 to 10 AWG
22-00120-04	Ring Terminal, #10, Wire Range - 16 to 14 AWG
22-00120-07	Ring Terminal, 5/16, Wire Range - 16 to 14 AWG
22-00121-07	Ring Terminal, #10, Wire Range - 22 to 16 AWG
22-01139-04	Ring Terminal, 3/8, Wire Range - 16 to 14 AWG
22-01141-01	Spade Terminal, 1/4 x 5/16, Wire Range - 16 to 14 AWG
22-00595-01	Spade Terminal, 3/8, Wire Range - 12 to 10 AWG
22-01106-00	Spiral Wrap, 1/4 Diameter x 25 ft. lg.
22-01107-00	Spiral Wrap, 1/2 Diameter x 25 ft. lg.
66U1-3803	Tube, Heat Shrink, 1/4 ID x 2-1/8 lg.
66U1-3803-1	Tube, Heat Shrink, 1/2 ID x 2-3/4 lg.
44-01043-05	Ty-Raps, 5-1/2 inches lg.
44-01043-07	Ty-Raps, 11.00 inches lg.
22-50007 Series	Wire Markers
07-00345-00	Sealant, Pipe (Used to seal fittings on unit with R-134a)
07-00313-00	Cleaner, Coil
76-00397-01	Paint, Compressor Touch-Up, Blue

2 REFRIGERATION UNIT ASSEMBLY

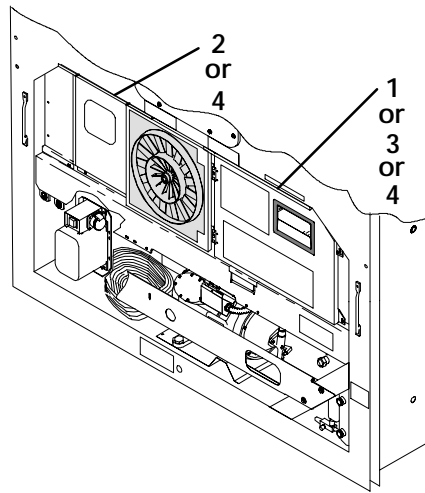
2.1 REFRIGERATION UNIT - AREA LOCATOR



2.1 REFRIGERATION UNIT - AREA LOCATOR

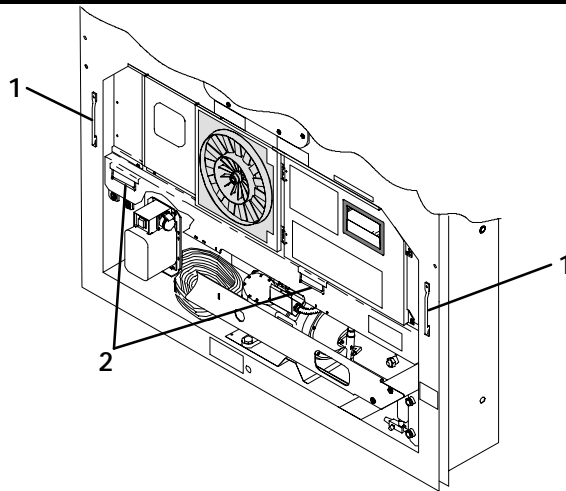
Item	Section Number	Area Description
1	Refer to Section 2.19	Evaporator Fan Assembly
2	Refer to Section 2.4	Thermometer Port
3	Refer to Section 2.33	Labels and Decals
4	Refer to Section 2.17	Upper Fresh Air Makeup & Access Panels
5	Refer to Section 2.11	Motor, Condenser Fan
6	Refer to Section 2.2	Rain Gutters
7	Refer to Section 2.5 - 2.10	Box, Control
8	Refer to Section 2.3	Handles
9	Refer to Section 2.11	Coil, Condenser
10	Refer to Section 2.13 or 2.14	Receiver or Water-Cooled Condenser
11	Refer to Sections 2.28 or 7	Compressor
12	Refer to Section 2.28	Guard, Compressor
13	Refer to Section 2.31	Cable, Power
14	Refer to Section 2.31	Plug, Power
15	Refer to Section 2.32	Autotransformer
16	Refer to Section 3	Interrogator and Accessories
17	Refer to Section 2.24 - 2.27	Temperature Recorder
18	Refer to Section 2.18	Lower Fresh Air Makeup

2.2 RAIN GUTTERS



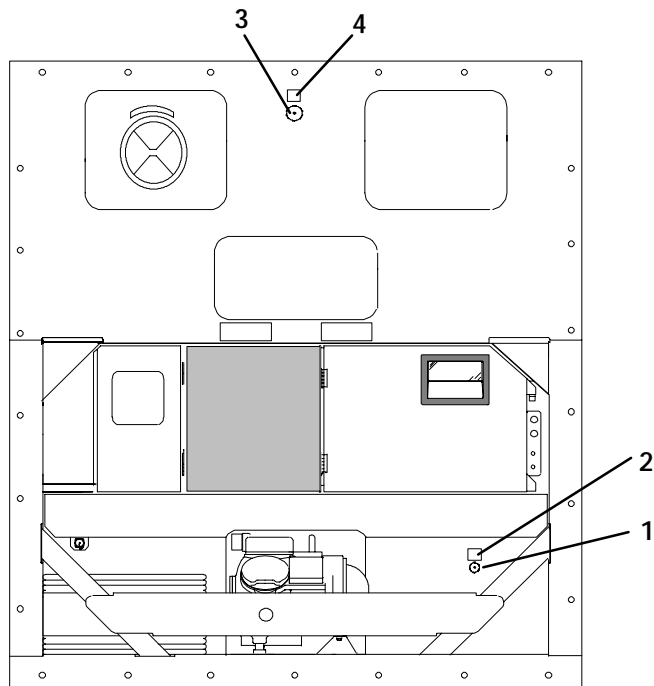
Item	Part Number	Description	Qty
OPTION 1 - STANDARD LENGTH - BOLTED			
1	69NT35-3987	Gutter, Rain (Bolted, Standard - Right Side)	1
2	69NT35-3997-1	Gutter, Rain (Bolted, Standard & Extended Length - Left Side)	1
OPTION 3 - EXTENDED LENGTH - BOLTED			
2	69NT35-3997-1	Gutter, Rain (Bolted, Standard & Extended Length - Left Side)	1
3	69NT35-8548	Gutter, Rain (Bolted - Right Side)	1
OPTION 4 - RIVETED			
4	68-12417-00	Gutter, Rain (Riveted - Right and Left Side)	2

2.3 HANDLES



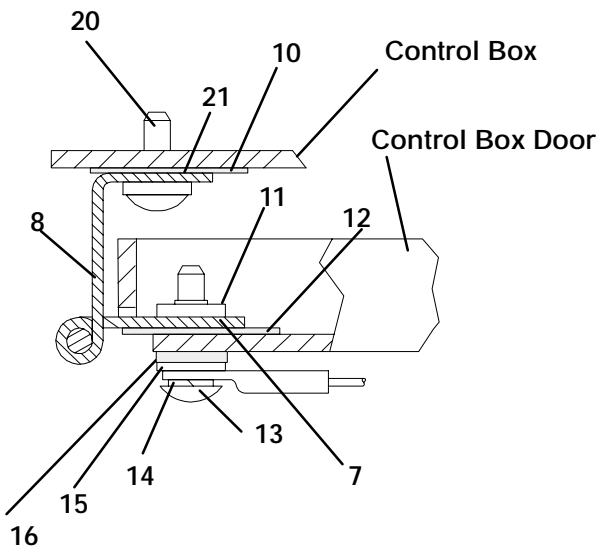
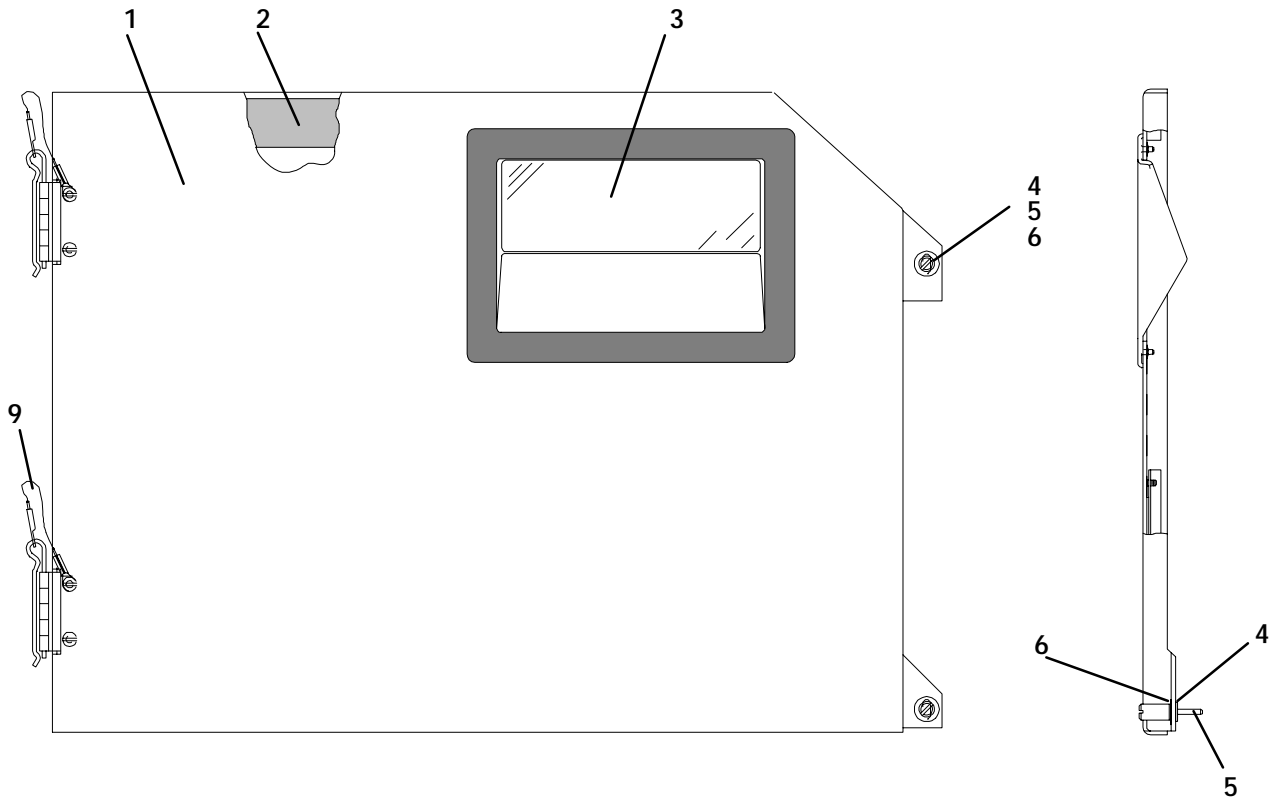
Item	Part Number	Description	Qty
OPTION 1 - TWO SIDE, ONE CENTER			
1	69NT35-8113	Handle, Fixed	2
2	69NT40-657-2	Handle, Hinged	1
OPTION 2 - TWO SIDE			
1	69NT35-8113	Handle, Fixed	2
OPTION 3 - ONE CENTER			
2	69NT40-657-2	Handle, Hinged	1
OPTION 4 - ONE SIDE, TWO CENTER			
1	69NT35-8113	Handle, Fixed	1
2	69NT40-657-2	Handle, Hinged	2

2.4 THERMOMETER PORT

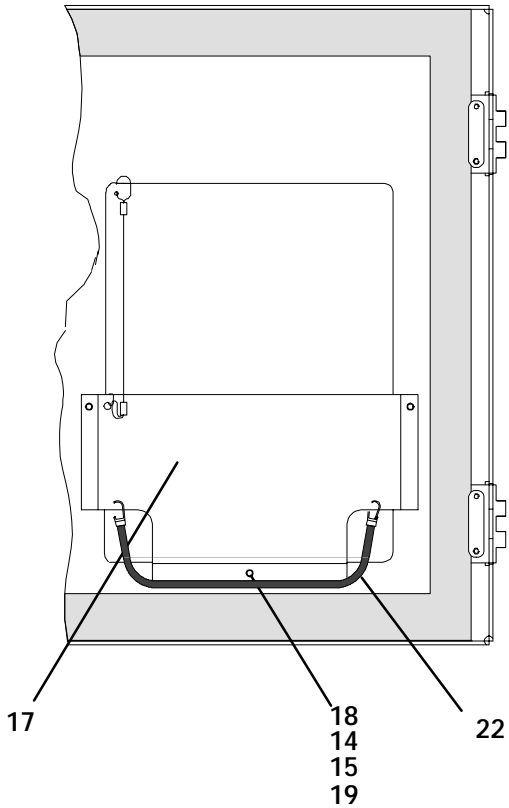


Item	Part Number	Description	Qty
OPTION 1 - SUPPLY AIR PORT			
1	66U1-8662	Cap & Chain Assembly	1
2	62-10557-00	Label	1
OPTION 2 - RETURN AIR PORT			
3	66U1-8662	Cap & Chain Assembly	1
4	62-10557-00	Label	1
OPTION B - SUPPLY AND RETURN PORTS			
1 & 3	66U1-8662	Cap & Chain Assembly	2
2 & 4	62-10557-00	Label	2

2.5 CONTROL BOX DOOR



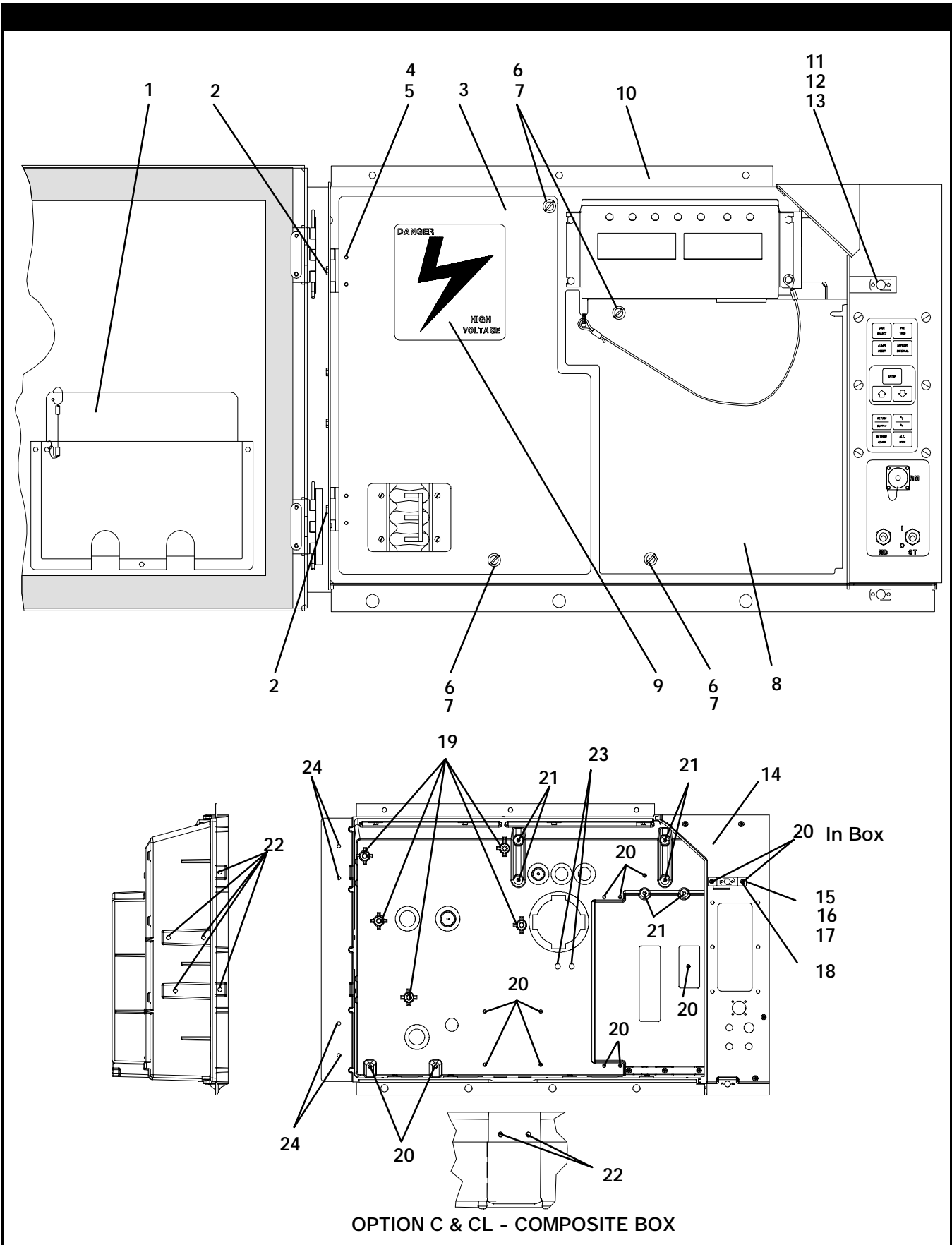
HINGE ASSEMBLY - SECTIONAL VIEW



DOOR ASSEMBLY - PARTIAL BACK VIEW

2.5 CONTROL BOX DOOR

Item	Part Number	Description	Qty
1	69NT42-688-7	Door Assembly - Includes:	1
2	42-00270-02	Gasket, Door	1
3	58-04366-00SV	Window and Gasket Assembly, Control Box Door - Lexan	1
4	34-06169-00	Washer, Retaining - SST	2
5	66U1-6811-8	Screw, Retaining, Panel, 0.300-0.625 - SST	2
5	66U1-6811-15	Screw, Retaining, Wing, 0.300-0.625 - SST	2
6	34-06053-00	Washer, Mylar, 0.250 ID x 0.800 OD	4
7	44-00300-01	Hinge, Half	1
8	44-00300-02	Hinge, Half	1
9	44-00300-03	Pin Assembly, with Tether	1
10	58-04101-01	Protector, Mylar (Hinge) (Not Needed with Composite Box)	2
11	34-01167-01	Retainer, Nut	2
12	58-04101-00	Protector, Mylar (Hinge)	2
13	66U1-2403-1	Screw, Truss Head, #10-24 x 3/4 lg. - SST	4
14	66U1-5331-3	Washer, Lock, #10 - SST	7
15	66U1-5321-8	Washer, Flat, #10 - SST	7
16	34-06053-05	Washer, Mylar, 0.205 ID x 0.600 OD	4
17	68-13577-00	Pocket, Placard	1
18	34-00665-09	Locknut, Hex Head, #10-24 - SST	3
19	34-06107-00	Rivet, Blind, 1/8 Diameter, Grip Range - 0.188-0.250	3
20	66U1-5371-7	Screw, #10-24 x 1/2 lg. - SST	4
21	66U1-5321-8	Washer, Flat, #10 - SST	4
22	58-04346-00	Door Strap Kit	1



2.6 CONTROL BOX

Item	Part Number	Description	Qty
1	-	Plate, Schematic & Diagram (Refer to T-300, Container Unit Matrix)	1
2	66U1-2403	Screw, Truss Head, #10-24 x 1/2 lg. - SST	2
3	69NT43-125-1	Shield, High Voltage (Plastic) - Includes:	1
4	44-00343-00	Hinge	2
5	34-00928-02	Rivet, Blind, 1/8 Diameter, Grip Range - 1/8-3/16 - SST	4
6	34-50015-00	Stud & Retainer Package - Includes:	4
NS	NSS	Stud, Fastener	1
NS	NSS	Retainer, Fastener Stud	1
7	34-06139-03	Receptacle	4
8	69NT43-124-4SV	Shield, Low Voltage (Lexan) - With Tether	1
9	62-03957-01	Label, Danger-High Voltage	1

OPTION A & AL - ALUMINUM CONTROL BOX

10	86-04237-00	Control Box, Standard Aluminum	1
11	68-12791-00	Bracket, Lock (See Note 1)	1
12	34-01142-01	Receptacle, Retaining	1
	34-01152-02	Receptacle, Retaining (See Note 2)	1
13	34-00928-01	Rivet, Blind, 1/8 Diameter, Grip Range - 1/16 - 1/8	2
	34-00928-03	Rivet, Blind, 1/8 Diameter, Grip Range - 3/16 - 1/4 (See Note 2)	2

NOTES

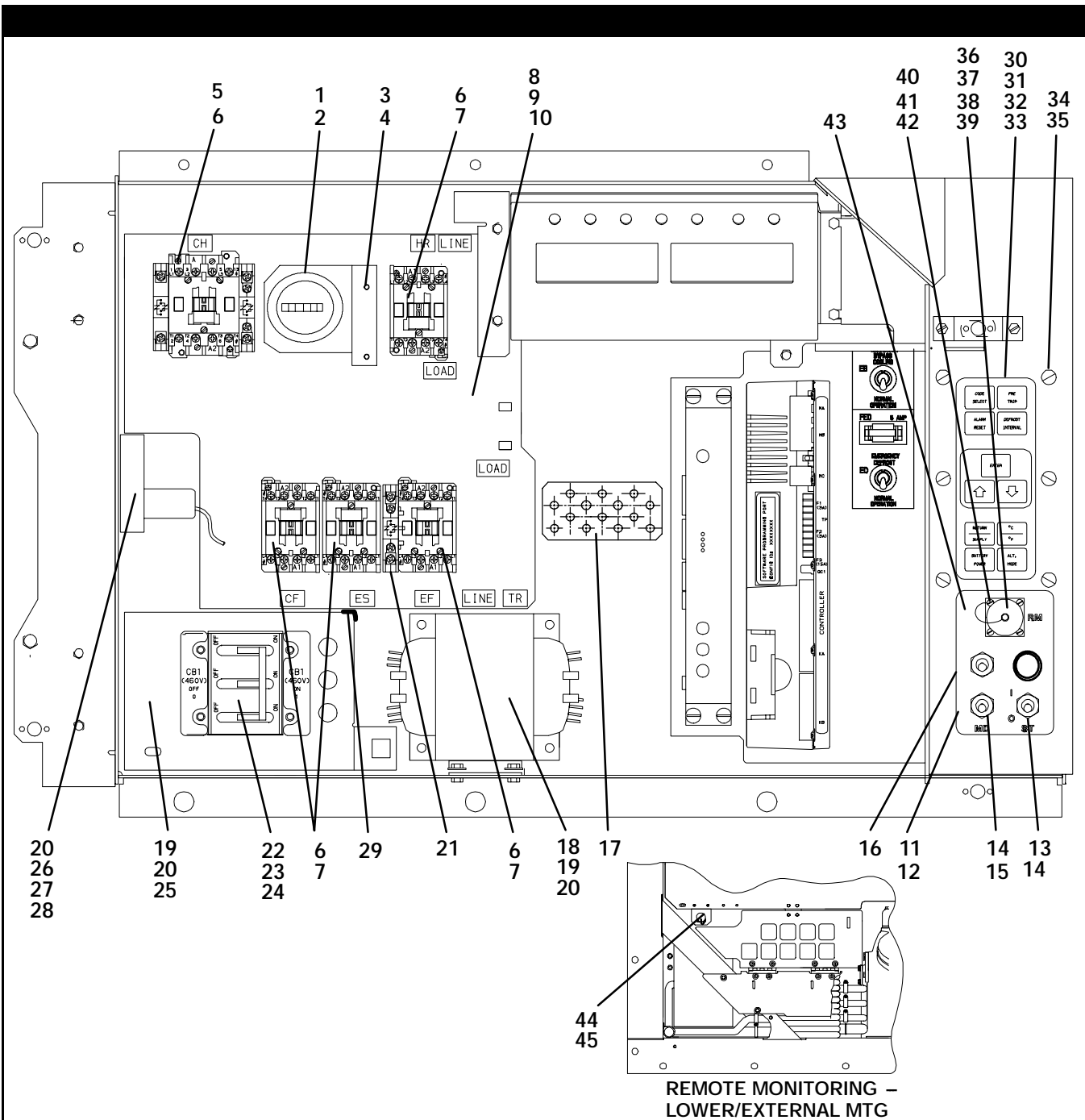
1. The bracket is welded to the control box - order Item #11 for locking plate.
2. When Item #11 is used, 34-01152-02 and rivets, 34-00928-03 are to be used in the upper door location.

OPTION C & CL - COMPOSITE CONTROL BOX

14	58-04367-00	Control Box, Standard Composite	1
15	69NT35-6272	Bracket, Non-Locking	1
	69NT35-2287	Bracket, Locking (See Note 3)	1
16	34-01142-01	Receptacle, Retaining	1
17	34-00928-01	Rivet, Blind, 1/8 Diameter, Grip Range - 1/16 - 1/8	2
	34-00928-02	Rivet, Blind, 1/8 Diameter, Grip Range - 1/18 - 3/16 (See Note 4)	2
18	66U1-2403	Screw, Truss Head, #10-24 x 1/2 lg. - SST	2
NS	76-00724-00SV	Crack, Chip and Hole Repair Kit	1
NS	76-50084-00SV	Insert Repair Kit - Includes:	1
19	34-06231-01	Insert - 17.53 x 9.91 mm (.690 x .390 in) 1/4-20 Threads - NSS	10
20	34-06231-03	Insert - 15.88 x 6.35 mm (.625 x .250 in) 10-24 Threads - NSS	10
21	34-06231-04	Insert - 25.15 x 7.54 mm (.990 x .297 in) 10-24 Threads - NSS	10
22	34-06231-05	Insert - 10.16 x 9.53 mm (.400 x .375 in) 10-24 Threads - NSS	10
23	34-06231-06	Insert - 12.70 x 9.91 mm (.500 x .390 in) 1/4-20 Threads - NSS	10
24	34-06231-07	Insert - 9.53 x 6.76 mm (.375 x .266 in) 10-24Threads - NSS	10
NS	02-00082-00	Durabond Epoxy - NSS	1
NS	07-00390-00	Static Mixing Tube - NSS	1
NS	07-00391-00	Application Gun - Required for Insert Repair	1

NOTES

3. The bracket is bolted to the control box - order 69NT35-2287 for locking bracket.
4. When 69NT35-2287 is used, 34-00928-02, rivet, is to be used in the upper door location.



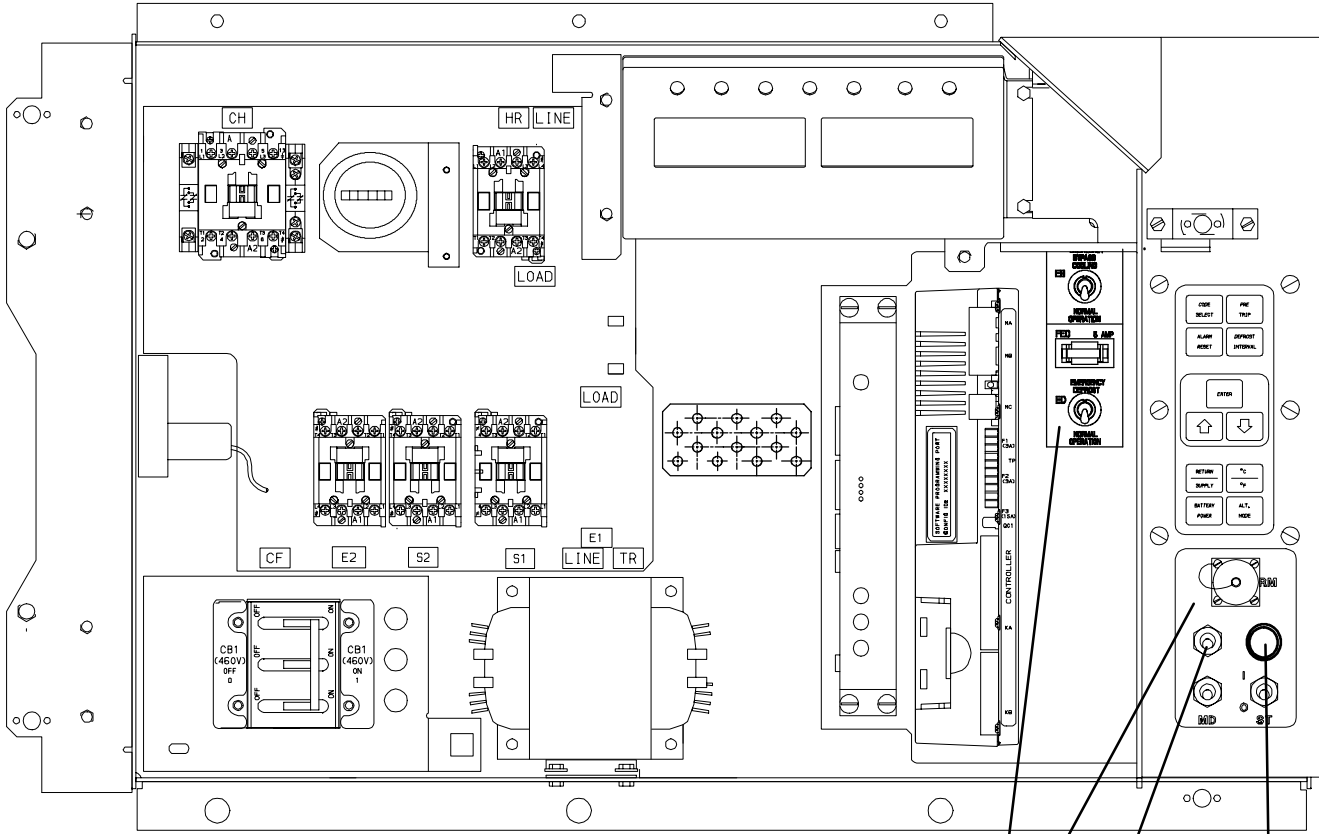
HOURLMETER

Item	Part Number	Description	Qty
1	66U1-3823	Hourmeter	1
2	66U1-6651-15	Screw, Pan Head, #4-40 x 3/4 lg. - SST	3
3	68-12496-00	Bracket, Hourmeter	1
4	66U1-5381	Screw, Hex Head, #10-24 x .50 lg. - SST	2

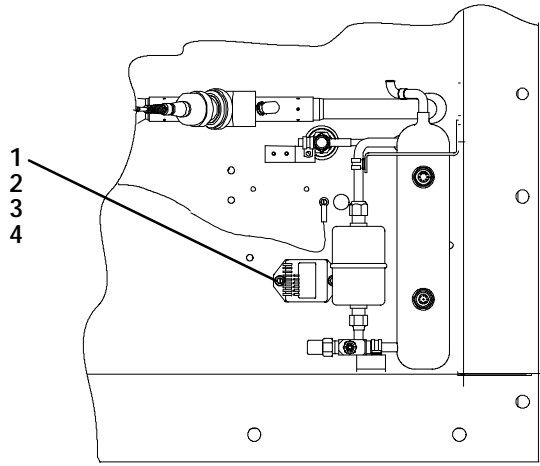
2.7 CONTROL BOX - SHIELDS REMOVED, STANDARD ELECTRICAL COMPONENTS (Continued)

Item	Part Number	Description	Qty
5	10-00431-07	Contactors, Compressor (CH) (30 Amp)	1
6	34-06243-00	Screw, Pan Head, (Thread Cutting) #8-32 x 3/4 lg. - SST	10
7	10-00431-06	Contactors, (CF), (HR) & (EF & ES) (12 Amp)	4
8	68-13427-00SV	Panel, Contactor - Includes:	1
9	58-00967-00	Spacer (Used with sheet metal control box only)	5
10	34-00655-08	Screw, Hex Head, 1/4-20 x 1.00 lg. - SST	4
11	34-00928-01	Rivet, Blind, 1/8 Diameter, Grip Range - 1/16 - 1/8	6
12	34-01142-01	Receptacle	1
13	10-01129-07SV	Switch, Toggle (On-Off)	1
14	66U1-9752	Seal, Bushing	1
15	10-01129-10	Switch, Toggle (MDS)	1
16	58-04145-01	Plate, Switch	1
17	69NT41-982-3	Plate, Ground	1
18	10-00332-21SV	Transformer, Base Unit	1
19	66U1-5371-7	Screw, Hex Head, #10-24 x 1/2 lg. - SST	A/R
20	66U1-5321-8	Washer, Flat, #10 - SST	A/R
21	10-00431-02	Contact, Auxiliary	1
22	34-00663-07	Washer, Lock, #6 - SST	4
23	66U1-7842-13	Circuit Breaker - 460 vac, 25 Amp, (CB1)	1
24	66U1-6651-4	Screw, Pan Head, #6-32 x 3/8 lg. - SST	4
25	69NT35-6278	Bracket, Circuit Breaker	1
26	10-00366-01SV	Transformer, Current Sensing (CS)	1
27	66U1-5371-10	Screw, Hex Head, #10-24 x 1.00 lg. - SST	2
28	66U1-5321-8	Washer, Flat, #10 - SST	2
29	66CH1-1172-46	Trim, Flexible (85 Feet Long, Cut to Length)	A/R
30	79-01706-03SV	Pad, Key - Includes:	1
31	NSS	Gasket (Between Key Pad Plate Assembly and Connector)	1
32	NSS	Gasket (Between Key Pad and Key Pad Plate Assembly)	1
33	NSS	Plate Assembly, Key Pad Mounting	1
34	34-06227-00	Screw, Pan Head, #10-24 X 3/4 lg. - SST (Use with Composite Box)	6
	66U1-2403	Screw, Pan Head, #10-24 X 3/4 lg. - SST (Use with Aluminum Box)	6
35	34-06053-05	Washer, Mylar, 0.205 ID x 0.600 OD	6
REMOTE MONITORING (STANDARD LOCATION)			
36	22-02341-00	Receptacle, Remote Monitoring (RM)	1
37	22-02368-00	Plug, Remote Monitoring	1
38	22-02341-01	Cap and Tether, Receptacle Assembly	1
39	66U1-6835	Gasket, Remote Monitoring Receptacle	1
40	34-00848-10	Screw, Round Head, #4-40 x 5/8 lg. - SST	4
41	66U1-5321-6	Washer, Flat, 0.125 ID - SST	4
42	34-00667-05	Nut, Self Locking, #4-40 - SST	4
43	58-04145-00	Plate, Switch, with RM	1
REMOTE MONITORING (LOWER LEFT/EXTERNAL LOCATION)			
44	22-01889-00	Receptacle, Remote Monitoring (RM)	1
45	69NT40-222	Bracket	1

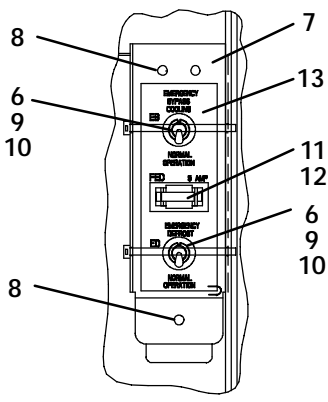
2.8 CONTROL BOX - SHIELDS REMOVED, EVAP FAN CAPABILITY, EBS and EDS, EBS ONLY and CFS



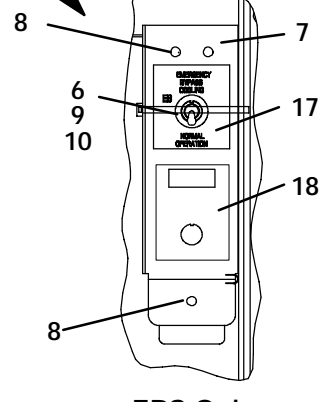
- 5
- 19
- 20
- 21
- 14
- 15
- 16



Bottom Right Corner of Unit



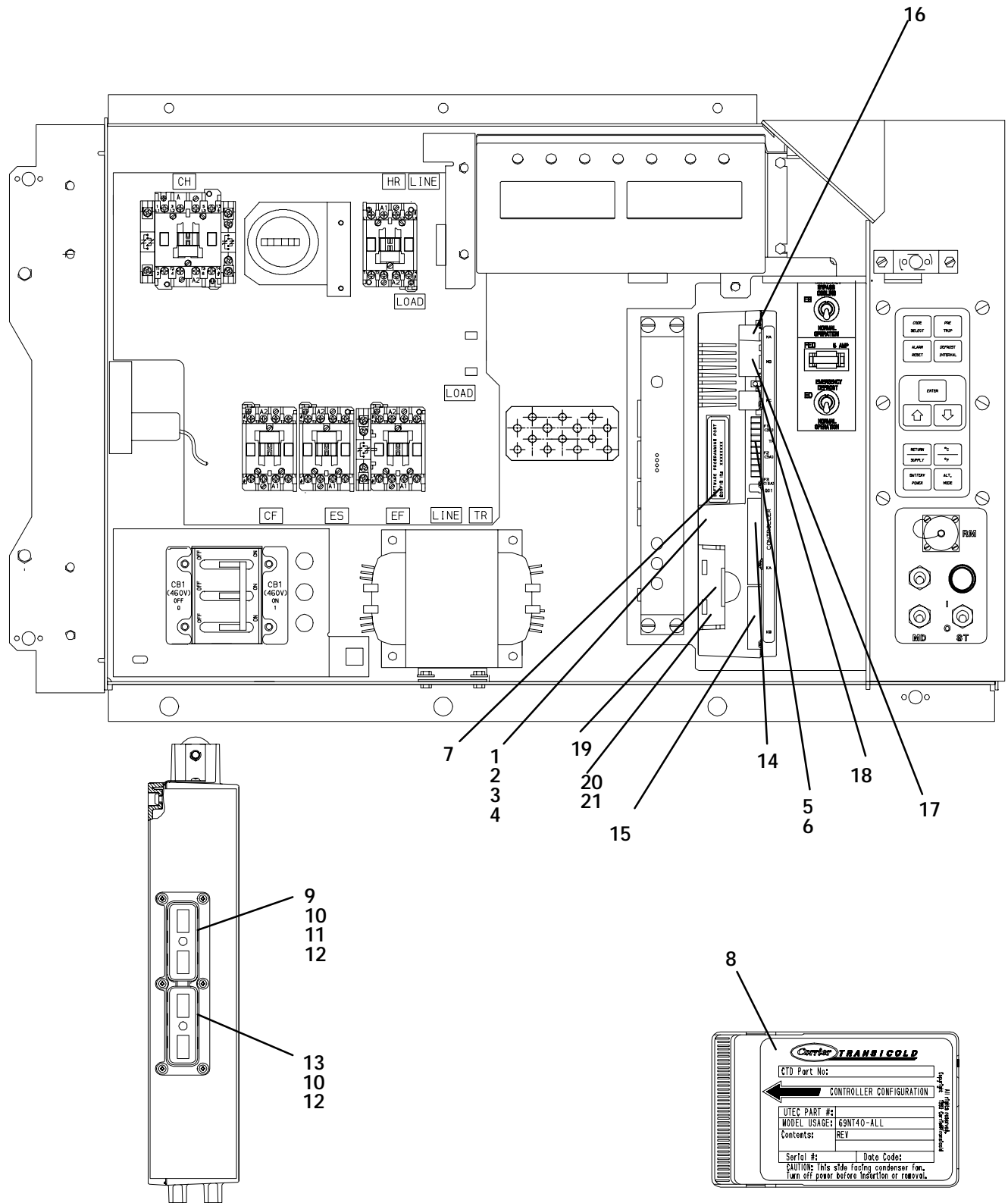
EBS & EDS



EBS Only

2.8 CONTROL BOX - SHIELDS REMOVED, EVAP FAN CAPABILITY, EBS and EDS, EBS ONLY and CFS			
Item	Part Number	Description	Qty
OPTION 1 - NORMAL EVAPORATOR FAN OPERATION			
See Section 2.7 Items 6 and 7 for correct contactor placement			
OPTION B - EMERGENCY BYPASS SWITCH AND EMERGENCY DEFROST SWITCH			
1	10-00416-00	Module, Emergency Bypass	1
2	66U1-5371-6	Screw, Machine Hex Head, #10-24 x .75 lg. - SST	2
3	34-06053-05	Washer, Mylar, 0.205 ID x 0.600 OD	2
4	66U1-5321-8	Washer, Flat, #10 - SST	2
5	58-04145-09	Plate, Switch (with light location, no RM)	1
	58-04145-07	Plate, Switch (with light location, with RM)	1
6	10-01129-07	Switch, Toggle	2
7	68-12544-01	Bracket	1
8	34-06223-00	Screw, Captive Washer, #10-24 X .56 lg. - SST	2
9	10-01129-20	Hex Nut	2
10	66U1-9752	Seal, Bushing	2
11	22-01455-02	Holder Assembly, Fuse	1
12	22-02336-02	Fuse, 5 Amp	1
13	62-02874-01	Label, EB and ED	1
14	22-00518-01	Base, Pilot Light	1
15	22-00519-03	Light Assembly, Pilot	1
16	22-00049-01	Lamp, 24VDC	1
OPTION EB - EMERGENCY BYPASS SWITCH ONLY			
1	10-00416-00	Module, Emergency Bypass	1
2	66U1-5371-6	Screw, Machine, Hex Head, #10-24 x .75 lg. - SST	2
3	34-06053-05	Washer, Mylar, 0.205 ID x 0.600 OD	2
4	66U1-5321-8	Washer, Flat, #10 - SST	2
6	10-01129-07SV	Switch, Toggle	1
7	68-12544-01	Bracket	1
8	34-06223-00	Screw, Captive Washer, #10-24 X .56 lg. - SST	2
9	10-01129-20	Hex Nut	1
10	66U1-9752	Seal, Bushing	1
17	62-02874-00	Label, EB Upper	1
18	62-02874-02	Label, EB Lower	1
OPTION F - CONDENSER FAN SWITCH			
19	10-00298-01	Switch, Toggle (CFS)	1
20	66U1-9752	Seal, Bushing	1
21	58-04145-06	Plate, Switch (with extra switch location)	1

2.9 CONTROL BOX - CONTROLLER MODULE SECTION AND SOFTWARE CARDS

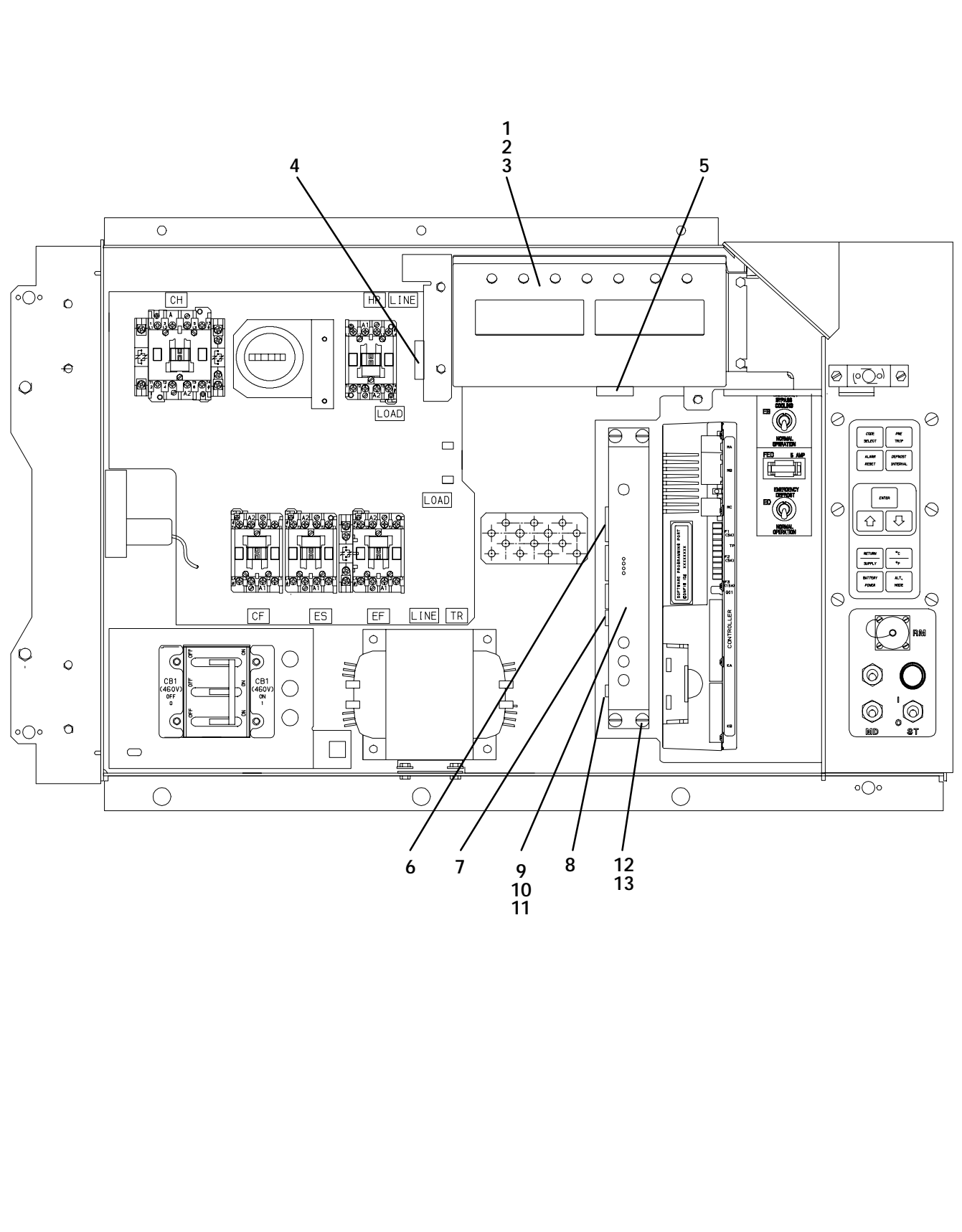


View - Back of Controller/DataCORDER module

2.9 CONTROL BOX - CONTROLLER MODULE SECTION AND SOFTWARE CARDS

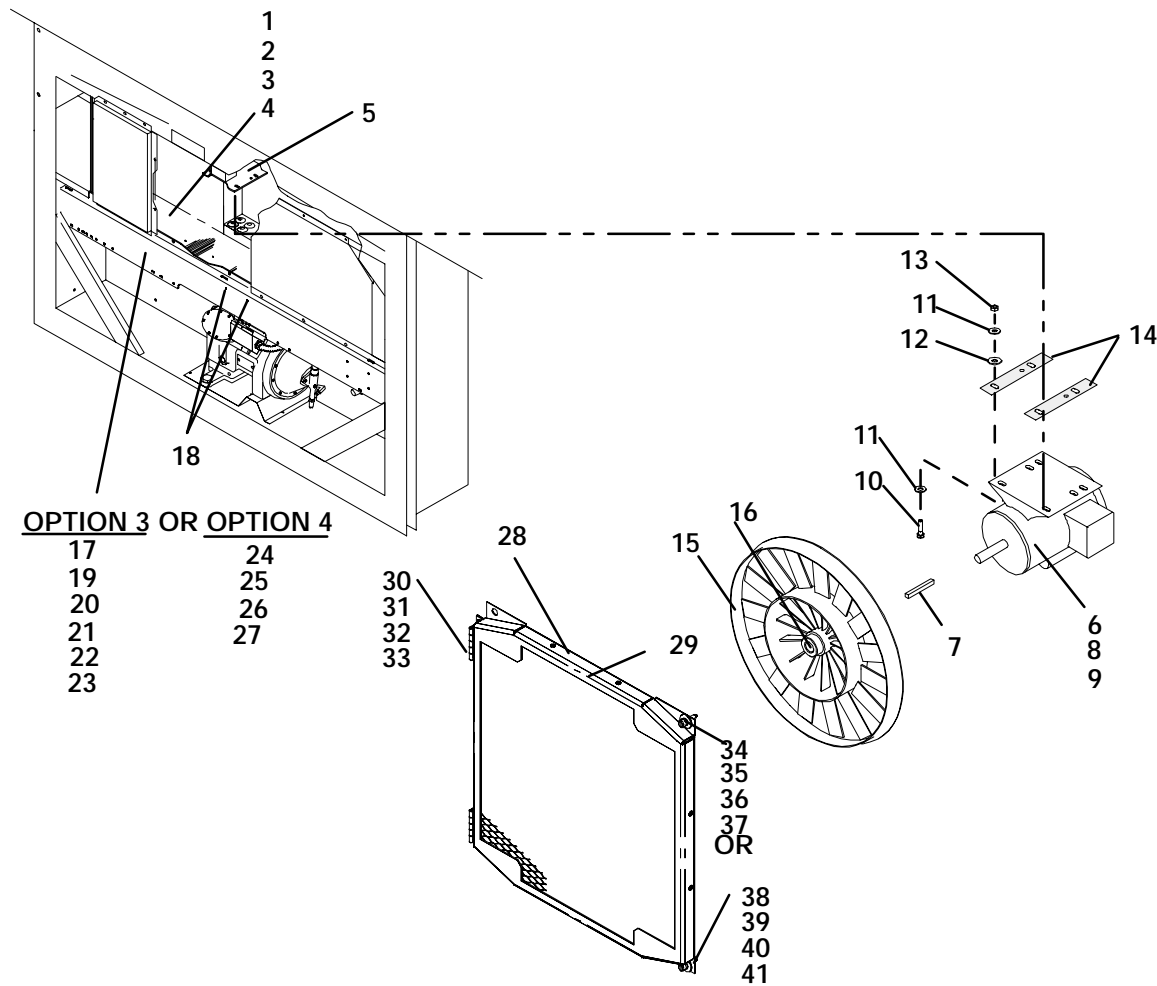
Item	Part Number	Description	Qty
1	-	Module, Controller/DataCORDER - Refer to Section 8 - Includes:	-
2	66U1-5371-7	Screw, Hex Head, #10-24 x 1/2 lg. - SST	1
3	69NT35-2692	Washer, Fender, 0.063 Thick - SST	1
4	58-01184-00	Retainer, Screw, 0.141 ID	1
5	22-02336-04	Fuse, 10 Amp (F3)	3
6	22-02336-02	Fuse, 5 Amp (F1 & F2)	1
7	62-02719-00	Label, Controller/DataCORDER Port	1
8	12-00397-00/5124	Card, Controller/DataCORDER Operation Software	1
NS	12-00402-xx	Card, Configuration Software	1
9	22-01777-00SV	Connector (EC A-K) - 30 Pin	1
10	22-01777-03	Socket, 20 AWG	35
11	22-50100-00	Socket, 18 AWG	4
12	22-01777-04	Plug, Sealing	21
13	22-01777-01SV	Connector (EC L-Y) - 30 Pin	1
14	22-01556-02	Connector (KA) - 14 Pin	1
15	22-01556-01	Connector (KB) - 10 Pin	1
NS	22-01621-23	Connector (KP) - 9 Pin (Connects to Ribbon Cable)	1
16	22-01622-01	Connector (MA) - 12 Pin	1
17	22-01622-02	Connector (MB) - 16 Pin	1
18	22-01622-00	Connector (MC) - 8 Pin	1
NS	09-00369-00SV	Battery, Real Time Clock, (Within the Controller)	1
NS	22-50157-00	Wire Harness, Controller to Current Sensing Transformer)	1
NS	22-01713-06	Wire Harness, Display Module to Controller/DataCORDER Module	1
NS	62-02735-00	Label, Warning, Don't use 12-00327 ! -(Located on the control box behind the Controller/DataCORDER module.)	1
NS	62-02738-05	Label, Warning, 5108 Series - (Located on the bottom panel of the control box between the transformer and the Communications Interface module.)	1
OPTION R - RECHARGEABLE BATTERY PACK			
19	30-00407-02SV	Battery Pack - Controller/DataCORDER Module	1
OPTION S - STANDARD CELLS			
20	PL	Battery ("AA")	6
21	30-00407-00	Cover, Controller Battery	1

2.10 CONTROL BOX - DISPLAY MODULE AND COMMUNICATIONS INTERFACE MODULE SECTION



2.10 CONTROL BOX - DISPLAY MODULE AND COMMUNICATIONS INTERFACE MODULE SECTION			
Item	Part Number	Description	Qty
1	12-00433-00RP	Module, Display	1
2	66U1-5371-7	Screw, Hex Head, #10-24 x 1/2 lg. - SST	4
3	69NT35-2692-4	Washer, Fender, 0.063 Thick - SST	4
4	22-01621-03	Connector (MK) - 9 Pin	1
5	22-01621-02	Connector (MB) - 16 Pin	1
6	22-02396-03	Connector (CIC) - 7 Pin	1
7	22-02396-02	Connector (CIB) - 3 Pin	1
8	22-01556-00	Connector (CIA) - 7 Pin	1
NS	22-01713-02	Wire Harness, Key Pad to Display Module	1
OPTION 1 - COMMUNICATIONS INTERFACE MODULE - STANDARD			
9	12-00573-00SV	Module, Communications Interface - Includes:	1
10	66U1-3442-2	Stud, Fastener, 1/4 turn, 0.705 lg. - SST	4
11	66U1-9212-1	Retainer, Push-on	4
12	34-06223-00	Screw, Captive Washer #10-24 x 0.56 - SST	4
13	58-01184-00	Retainer, Screw .75 O.D.	4
OPTION 2 - COMMUNICATIONS INTERFACE MODULE - HIGH DATA RATE			
9	12-00275-10SV	Module, Communications Interface - Includes:	1
10	66U1-3442-2	Stud, Fastener, 1/4 turn, 0.705 lg. - SST	4
11	66U1-9212-1	Retainer, Push-on	4
12	34-06223-00	Screw, Captive Washer #10-24 x 0.56 - SST	4
13	58-01184-00	Retainer, Screw .75 O.D.	4
OPTION 3 - COMMUNICATIONS INTERFACE MODULE - CHIPSET MODEM			
9	12-00573-00SV	Module, Communications Interface - Includes:	1
10	66U1-3442-2	Stud, Fastener, 1/4 turn, 0.705 lg. - SST	4
11	66U1-9212-1	Retainer, Push-on	4
12	34-06223-00	Screw, Captive Washer #10-24 x 0.56 - SST	4
13	58-01184-00	Retainer, Screw .75 O.D.	4
OPTION 4 - COMMUNICATIONS INTERFACE MODULE - LOW DATA RATE			
9	12-00275-19SV	Module, Communications Interface - Includes:	1
10	66U1-3442-2	Stud, Fastener, 1/4 turn, 0.705 lg. - SST	4
11	66U1-9212-1	Retainer, Push-on	4
12	34-06223-00	Screw, Captive Washer #10-24 x 0.56 - SST	4
13	58-01184-00	Retainer, Screw .75 O.D.	4

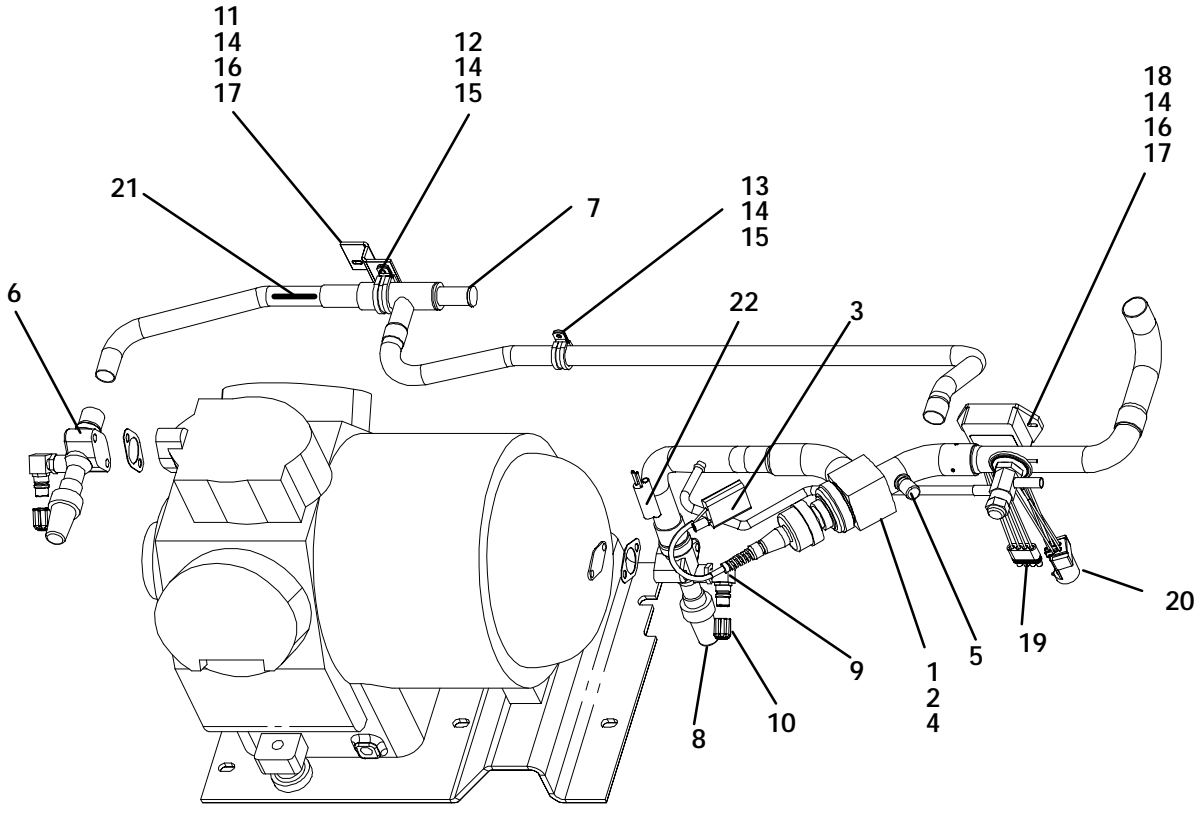
2.11 CONDENSER FAN MOTOR AND CONDENSER COIL SECTION



Item	Part Number	Description	Qty
1	66U1-5361-25	Capscrew, Hex Head, 1/4-20 x 3/4 lg. - SST	10
2	66U1-5321-7	Washer, Flat, 1/4 - SST	10
3	34-06053-00	Washer, Mylar, 3/4 OD x 1/4 ID	10
4	34-06053-03	Washer, Mylar, 1.0 OD x 1/4 ID	2
5	69NT35-3547	Bracket, Condenser Motor Mount	1
6	54-00586-20	Motor, Condenser Fan - Includes:	1
7	PL	Key, 3/16 Square x 1-3/8 lg. - SST	1
8	04-50027-00	Bearing	2
9	22-50088-02	Capacitor, 15 uF	1
10	66U1-5361	Screw, Hex Head, 5/16-18 x 1-1/4 lg. - SST	4
11	34-01181-01	Washer, Flat, 5/16 - SST	8
12	34-06053-02	Washer, Mylar, 1.0 OD x 3/8 ID	4
13	34-00667-12	Locknut, 5/16-18 - SST	4
14	69NT35-6112	Protector, Condenser Fan Motor Mounting	2
15	38-00503-00	Fan, Condenser (17-1/2 diameter) - Composite - Includes:	1
16	PL	Set Screw, Square Head, 5/16-24 x 5/8 lg. - SST	2

2.11 CONDENSER FAN MOTOR AND CONDENSER COIL SECTION (Continued)			
Item	Part Number	Description	Qty
OPTION 2 - TWO ROW CONDENSER COIL			
Use Option 4 for 2-Row Coil Replacement			
OPTION 3 - THREE ROW (7MM) CONDENSER COIL			
17	68-13454-02SV	Cover, Condenser Coil, Blue Includes:	1
	68-13454-03SV	Cover, Condenser Coil, White Includes:	1
18	58-04480-00	Bumper (for use with uncoated center handle)	2
	58-04481-00	Plug (for use with coated handle or units with no center handle)	2
19	81-01575-00SV	Coil, Condenser(Copper) - 7MM 3 Row - Includes Mylar Washers	1
20	66CH1-1172-16	Trim, Flexible	2
21	69NT35-8693-7	Protector (Apply between frame and coil & coil cover)	4
22	69NT35-8693-10	Protector (Apply between frame and coil & coil cover)	2
23	58-04026-41	Protector, Mylar (Apply between coil & coil cover, RH & LH sides)	2
OPTION 4 - FOUR ROW (3/8in.) CONDENSER COIL			
24	69NT43-148-2	Cover, Condenser Coil, Blue Includes:	1
	69NT43-148-4	Cover, Condenser Coil, White Includes:	1
18	58-04480-00	Bumper (for use with uncoated center handle)	2
	58-04481-00	Plug (for use with coated handle or units with no center handle)	2
25	69NT43-202-10SV	Coil, Condenser(Copper) - 4 row - Includes Mylar Washers	1
26	69NT35-8703	Protector (Apply between frame and coil & coil cover)	4
27	58-04026-10	Protector, Mylar (Apply between coil & coil cover, RH & LH sides)	2
OPTION H - HINGED CONDENSER FAN GRILLE			
28	76-00704-01	Grille and Venturi Assembly - Includes:	1
29	66U1-8912	Label, Rotation	1
30	76-50075-00	Hinge Kit - Includes:	1
31	44-00374-00	Hinge	2
32	58-04101-07	Protector, Mylar	4
33	34-06179-00	Screw, Hex Head, #10-24 x 7/16 lg. - SST	8
34	66U1-6811-8	Screw, Retaining - SST	2
	66U1-6811-12	Screw, Retaining (Phillips Head) - SST	2
35	34-06169-00	Washer, Retaining - SST	2
36	34-06053-03	Washer, Mylar, 1/4ID x 1.00OD	2
37	69NT35-2692-1	Washer, Fender 1/4 - SST	2
OPTION B - BOLTED CONDENSER FAN GRILLE			
28	76-00704-01	Grille and Venturi Assembly - Includes:	1
29	66U1-8912	Label, Rotation	1
38	69NT35-2692-1	Washer, Fender 1/4 - SST	4
39	34-06053-03	Washer, Mylar, 1/4ID x 1.00OD	4
40	34-00663-11	Washer, Lock, 1/4 - SST	4
41	66U1-5361-25	Capscrew, Hex Head, 1/4-20 x 3/4 lg. - SST	4

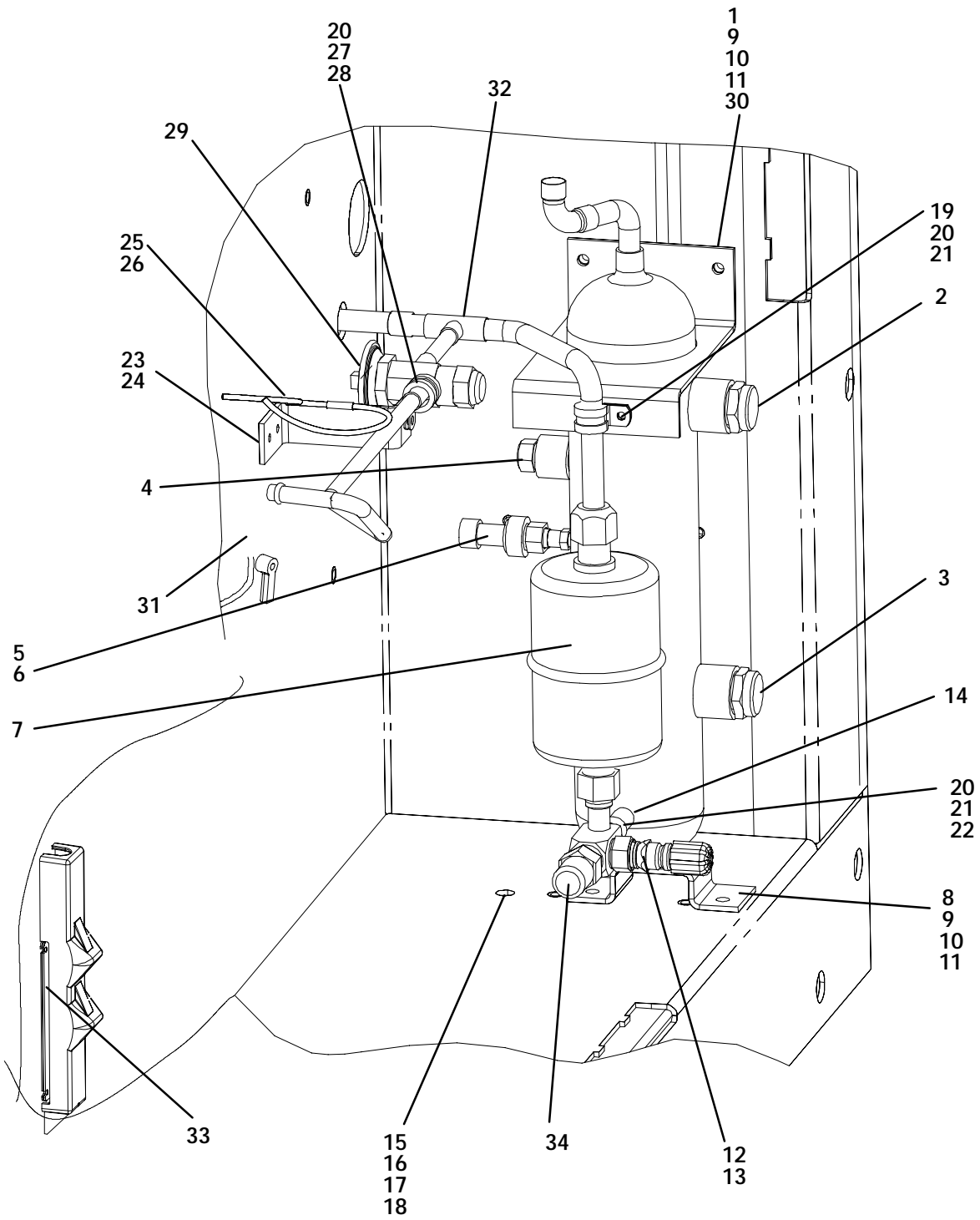
2.12 COMPRESSOR TUBING SECTION



2.12 COMPRESSOR TUBING SECTION

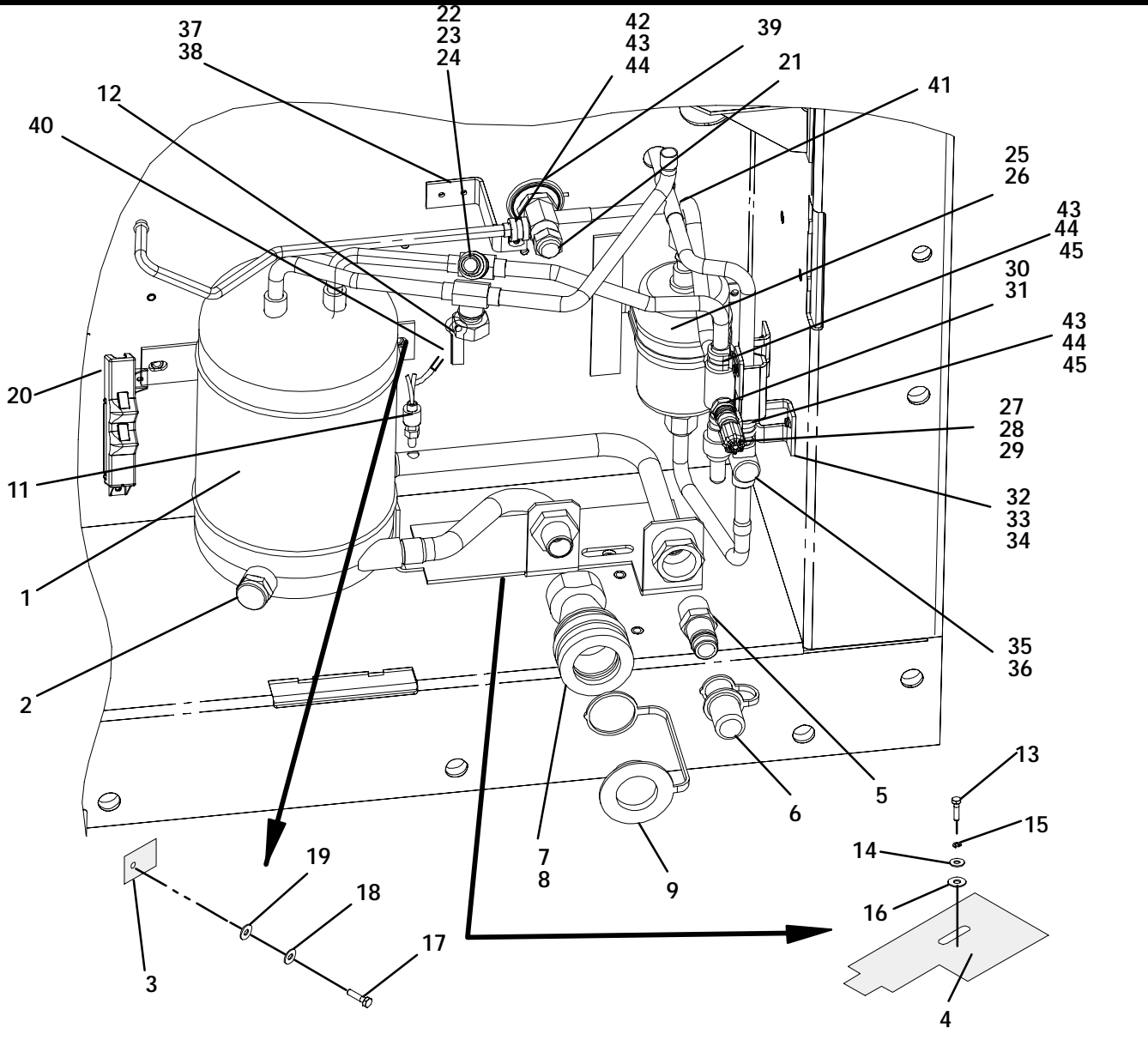
Item	Part Number	Description	Qty
1	14-00263-00	Valve, Stepper Motor - Includes:	1
2	14-00263-20	Piston and Motor Assembly - Includes:	1
3	22-02392-03	Connector (To Power Pack)	1
NS	22-02393-01	Pin, 18-20 Gauge (Used on 22-02392-03)	4
NS	22-02394-03	Seal (Used on 22-02392-03)	4
4	14-00263-23	O-Ring	1
5	14-00263-22	Cap	1
6	-	Valve, Service (Discharge) - See Section NO TAG	1
7	14-00204-02	Valve, Discharge Pressure Regulator (DPRV)	1
8	-	Valve, Service (Suction) - See Section NO TAG	1
9	40-00542-00	Elbow, Adapter (R134a)	1
10	40-00520-02	Cap, M8 x 1.0 - Nylon	1
11	69NT41-702	Bracket Assembly	1
12	66U1-3632-24	Clamp, Cushion, 1.18 Dia.	1
13	34-00373-11	Clamp, Cushion, .88 Dia.	1
14	66U1-5381-1	Screw, Hex Head, #10-24 x .75 lg. - SST	4
15	34-06053-00	Washer, Mylar, .25 I.D. x .80 O.D.	3
16	66U1-5321-8	Washer, Flat, #10 - SST	3
17	34-06053-05	Washer, Mylar, .205 I.D. x .60 O.D.	3
18	10-00388-00	Power Pack, Stepper Motor - Includes:	1
19	22-01585-04	Connector (To Valve)	1
20	22-01836-00	Connector (To Harness)	1
NS	22-01566-01	Socket (Used on 22-01585-04)	4
NS	22-02393-00	Pin (Used on 22-01830-00)	4
NS	22-02394-02	Seal (Used on 22-01835-00, 22-01585-04 and 22-01830-00)	A/R
NS	22-01835-00	Connector (On Harness to Drive)	1
NS	22-01566-00	Pin (Used on 22-01835-00)	5
REFRIGERATION TEMPERATURE SENSORS			
21	12-01105-02	Sensor, Thermistor (CPDS)	1
22	12-01104-05	Sensor, Thermistor (CPSS)	1

2.13 RECEIVER SECTION



2.13 RECEIVER SECTION			
Item	Part Number	Description	Qty
1	69NT43-403-2	Receiver, Electro-Coated Modular, Copper - Includes:	1
2	14-00220-01	Glass, Sight, w/Red Balls, 1/2-14 npt	1
3	14-00221-01	Indicator, Moisture-Liquid	1
4	14-01032-14	Plug, Fusible, 3/8 npt - Brass	1
	14-00215-04	Disc, Rupture, 3/8 npt - Alternate	1
NS	22-02448-00SV	Connector, Female (Located on wire harness)	1
5	12-00352-00	Transducer, Condenser Pressure (CPT)	1
6	EC39DM062	Valve, Schrader	1
7	14-00311-02SV	Filter-Drier with O-Rings	1
8	69NT43-277	Bracket, Liquid Line Valve	1
9	66U1-5361-25	Screw, Hex Head, 1/4-20 x 3/4 lg. - SST	A/R
10	66U1-5321-7	Washer, Flat, 1/4 - SST	3
11	34-06053-00	Washer, Mylar, 0.250 ID x 0.800 OD	4
12	40-00520-01	Coupling, M15 - Brass - Includes:	1
13	40-00520-03	Cap, Service Port	1
14	14-00222-01	Valve, Liquid Line	1
15	66U1-5361-7	Bolt, Hex Head, 3/8-16 x 1.00 lg. - SST	1
16	AU11JR241	Washer, Lock, 3/8 - SST	1
17	66U1-5321-5	Washer, Flat, 3/8 - SST	1
18	34-06053-02	Washer, Mylar, 0.375 ID x 1.00 OD	1
19	34-00373-05	Clamp, Cushion, 1/2 Diameter	1
20	66U1-5371-6	Screw, Machine, Hex Head, #10-24 x .75 lg. - SST	3
21	34-06053-05	Washer, Mylar, .205 I.D. x .60 O.D.	4
22	34-00373-07	Clamp, Cushion, 5/8 Diameter	1
23	69NT43-420	Bracket Assembly, Quench Valve	1
24	34-00928-09	Rivet, Blind, 5/32 Diameter, Grip Range - 1/8-1/4 - SST	2
25	66U2-1132-1	Connector	1
26	66U1-3803	Heat Shrink	1
27	34-00373-54	Clamp, Cushion, .44 Diameter	1
28	34-06053-03	Washer, Mylar, .25 I.D. x 1.00 O.D.	1
29	14-00212-03SV	Valve, Quench, Thermostatic Expansion - Includes:	1
NS	14-00212-21	Kit, Repair - Includes:	1
NS	NSS	Power Head	1
30	58-04026-23	Protector, Mylar	1
31	12-00495-02SV	Sensor, Ambient Thermistor (AMBS)	1
32	DE40BA203	Tee, Reducing 1/2 x 1/2 x 3/8	1
33	-	See Section 2.15 for Sensor Assembly and Related Parts	-
34	40-00501-50	Cap, Service Valve	1

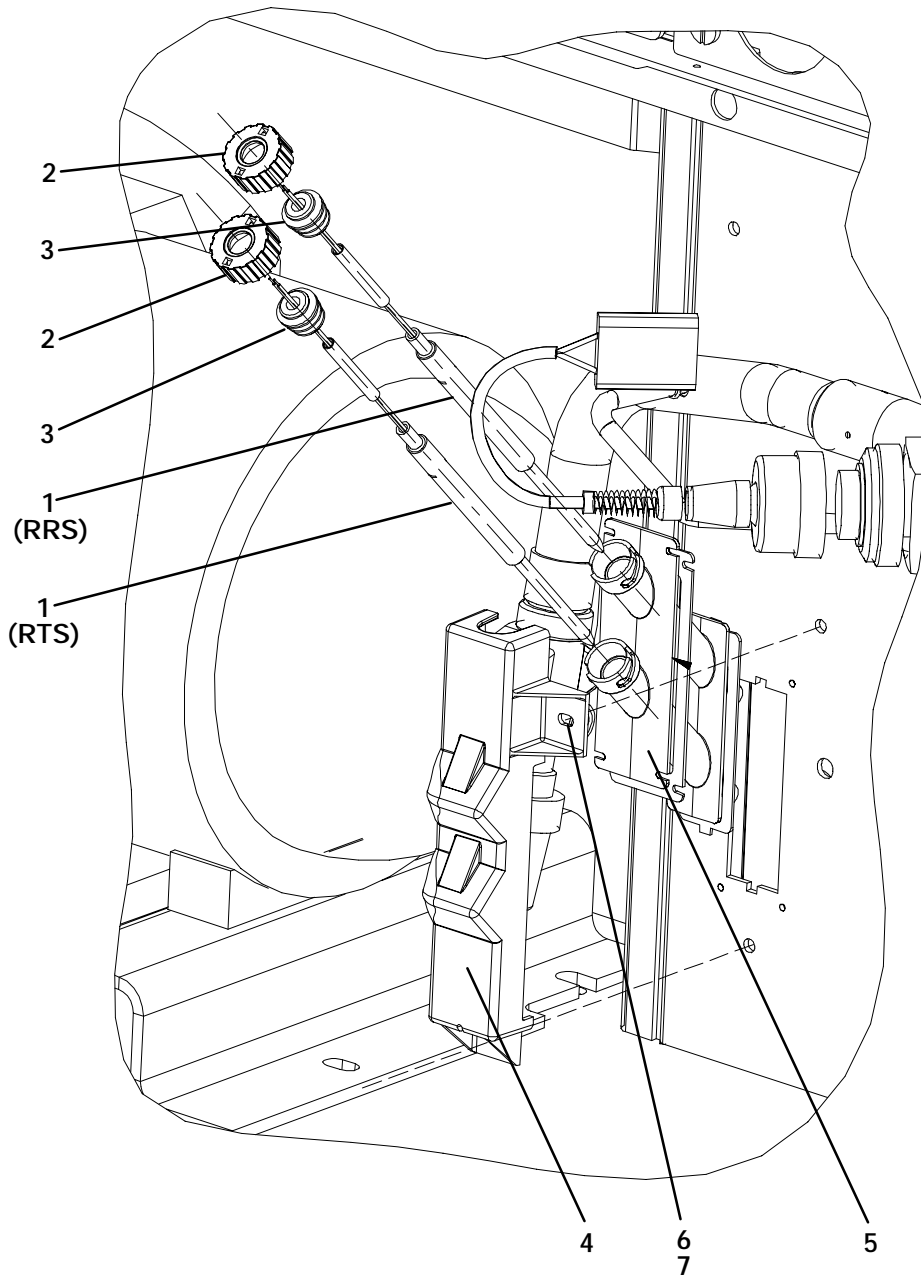
2.14 WATER-COOLED CONDENSER SECTION (See Note 5)



Item	Part Number	Description	Qty
-	69NT42-914	Kit, Condenser/Receiver (For Field Installation) - See NOTE - Includes:	1
1	69NT42-914-1	Condenser/Receiver - Includes:	1
2	14-00220-00	Sight Glass, w/red balls, 1/2 npt	1
3	58-00956-00	Protector, Mylar	2
4	58-00957-00	Protector, Mylar	1
5	66U1-2763-5	Coupling (Water-In)	1
6	66U2-1142	Cap, Dust	1
7	40-01129-00	Coupling, Self Draining - Includes:	1
7	66U1-2763-6	Coupling Assembly, Socket - Includes:	1
8	42-50000-00	Seal, O-Ring	1
9	66U2-1152	Cap, Dust (Use with 40-01129-00)	1
10	79-01757-00	Cap Assembly (Use with 66U1-2763-6)	1
11	12-01071-01SV	Switch,Water Pressure OPTION W	1
12	14-00215-05	Disc, Rupture, 3/8 npt	1

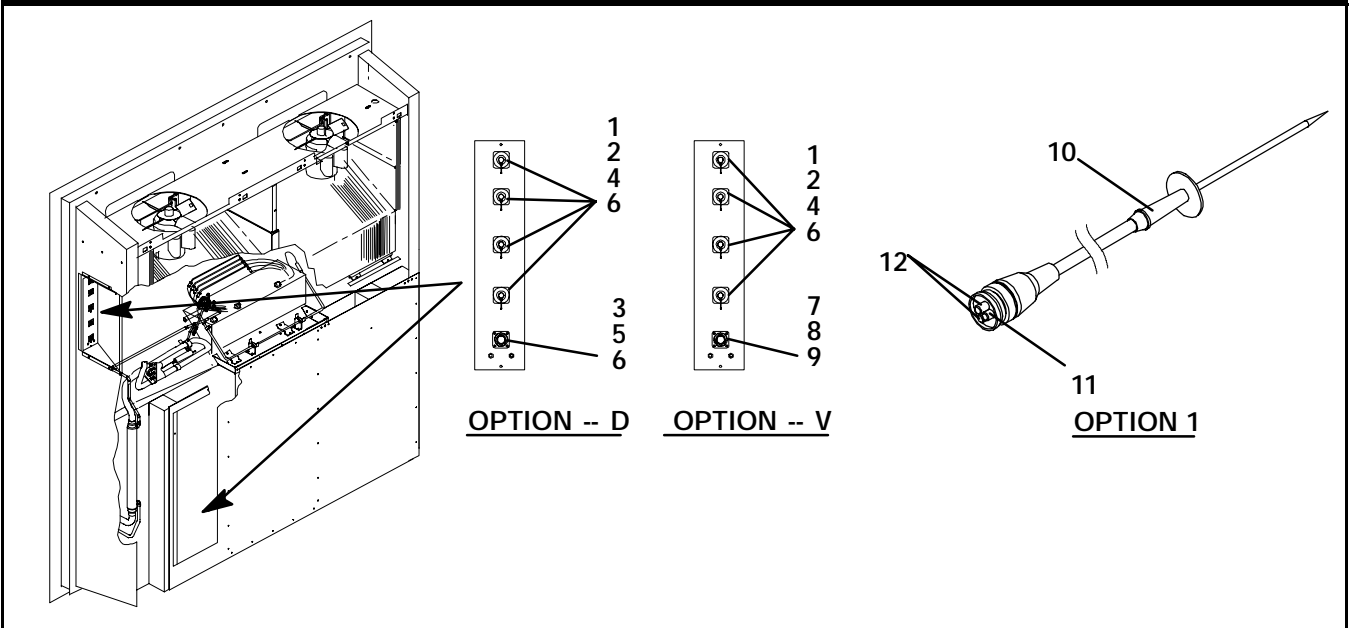
2.14 WATER-COOLED CONDENSER SECTION (Continued)			
Item	Part Number	Description	Qty
13	66U1-5361-7	Bolt, Hex Head, 3/8-16 x 1.00 lg. - SST	1
14	66U1-5321-5	Washer, Flat, 3/8 - SST	1
15	AU11JR241	Washer, Lock, 3/8 - SST	1
16	34-06053-02	Washer, Mylar, 3/8 ID x 1.00 OD	1
17	66U1-5361-25	Capscrew, Hex Head, 1/4-20 x 3/4 lg. - SST	2
18	66U1-5321-7	Washer, Flat, 1/4 - SST	2
19	34-06053-00	Washer, Mylar, 1/4 ID x 13/16 OD	2
20	-	See Section 2.15 for Sensor Assembly and Related Parts	-
-	76-00677-00	Accessory Kit, Water-Cooled Condenser Tubing - Includes:	-
21	06DA403-844	Valve, Schrader	1
22	12-00352-00	Transducer, Condenser Pressure (CPT)	1
23	69NT41-477	Tube Assembly - Includes:	1
24	40-00555-06	Tee, 1/2 x 1/2 x 3/8 npt - Brass	1
25	14-00311-02SV	Filter-Drier with O-Rings	1
26	69NP20-1031	Clamp, Filter-Drier - Includes:	1
NS	58-50014-00	Gasket (16 ft., Cut to length)	1
-	69NT41-497	Tube Assembly - Includes:	1
27	66U1-8552-2	Valve, Liquid Line - Includes:	1
28	40-00086-04	Cap, Flare - 1/4	1
29	17-21002-01	Cap, Valve	1
30	40-00520-01	Coupling, M15 - Brass - Includes:	1
31	40-00520-03	Cap, Service Port	1
32	68-12368-00	Bracket	1
33	66U1-5371-6	Screw, Hex Head, #10-24 x 3/4 lg. - SST	2
34	34-06053-05	Washer, Mylar, 0.205 ID x 0.600 OD	2
35	69NT41-487	Tube Assembly - Includes:	1
36	14-01092-03	Indicator, Liquid Moisture - Brass	1
37	69NT43-420	Bracket Assembly	1
38	34-00928-09	Rivet, Blind, 5/32 Diameter, Grip Range - 1/8-1/4	2
39	14-00212-03SV	Valve, Quench, Thermostatic Expansion - Includes:	1
NS	14-00212-21	Kit, Repair - Includes:	1
NS	NSS	Power Head	1
40	12-00495-02SV	Sensor, Ambient Thermistor (AMBS)	1
41	DE40BA203	Tee, Reducing, 1/2 x 1/2 x 3/8	1
42	34-00373-54	Clamp, Cushion, .44 Diameter	1
43	34-06053-03	Washer, Mylar, .25 I.D. x 1.00 O.D.	3
44	66U1-5371-6	Screw, Machine Hex Head, #10-24 x .75 lg. - SST	3
45	34-00373-07	Clamp, Cushion, .62 Diameter	2
NOTE			
5. Must order tubing accessory kit 76-00677-00 when ordering P/N 69NT42-914 for field installation on units provisioned for a water-cooled condenser.			

2.15 RRS AND RTS SECTION



Item	Part Number	Description	Qty
1	12-00395-01SV	Sensor Assembly (RRS & RTS)	1
2	58-04277-00SV	Cap, Probe - Includes:	2
3	58-04278-00	Grommet NSS	2
4	58-04279-00	Cover, Probe	1
5	58-04276-00	Holder, Probe	1
6	66U1-5321-7	Washer, Flat, 1/4 - SST	2
7	66U1-5371-7	Screw, Machine, Hex Head, #10-24 x .50 lg. - SST	2

2.16 USDA SECTION (See Note 6)

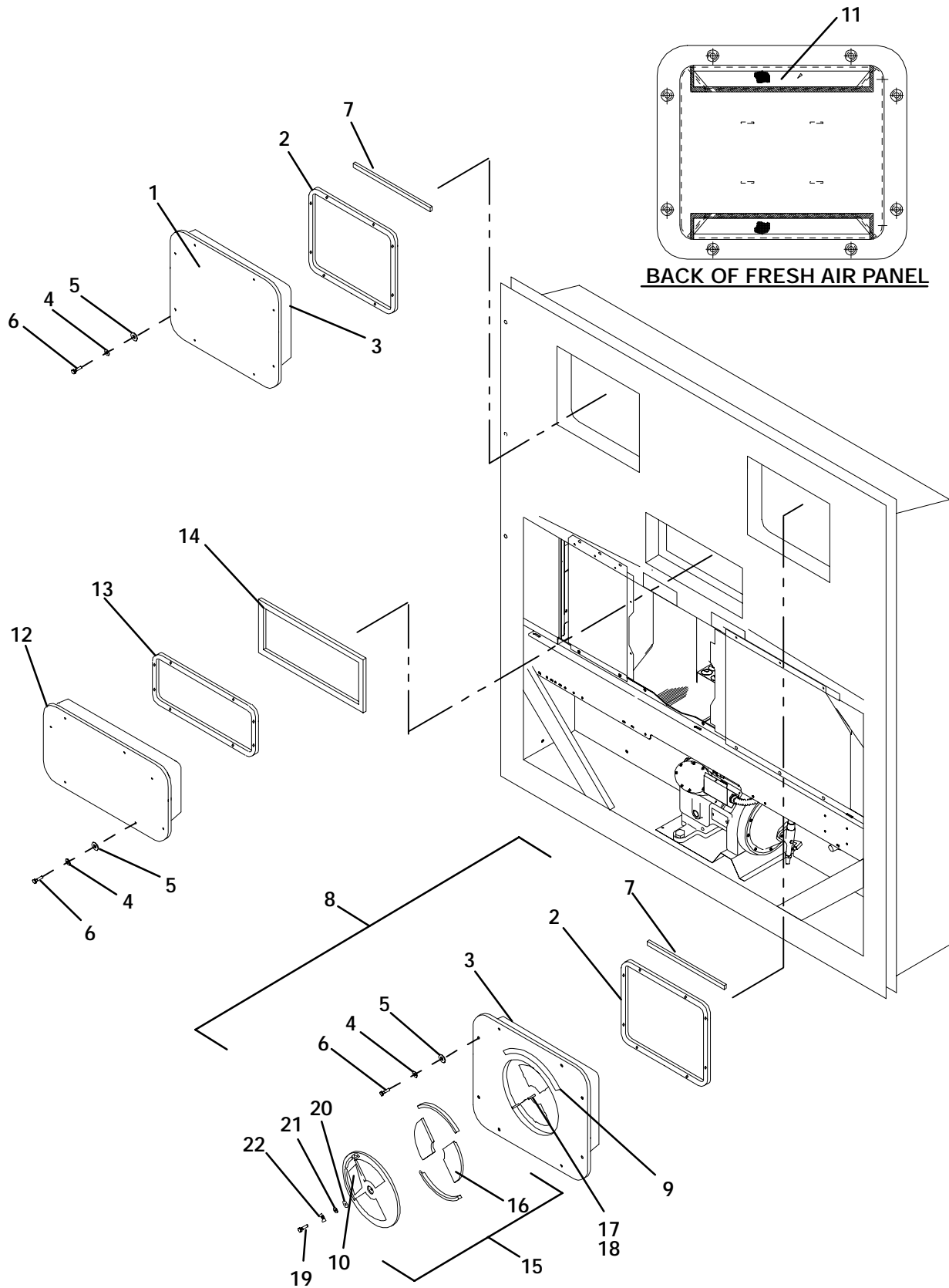


Item	Part Number	Description	Qty
OPTION D			
-	76-00684-00	Kit, USDA (For field installation, units provisioned for rear-mounted USDA - See T-300) - Includes:	-
-	76-00760-00	Kit, USDA (For field installation, units provisioned for side-mounted USDA - See T-300) - Includes:	-
1	22-01660-08	Plug, Sealing	4
2	22-01660-00	Receptacle (PR1, PR2, PR3, Cargo Probe 4) (3 Pin)	4
3	22-01660-03	Receptacle, Interrogator (ICR) (5 Pin)1	1
NS	69NT41-992	Plate Assembly, USDA - Includes:	1
4	69NT43-175	Cap, Dust, with Tether (3 Pin)	4
5	69NT43-176	Cap, Dust, with Chain (5 Pin)	1
6	22-01613-14	Contact, Pin, #16 (Used with 22-01660-00 & 22-01660-03)	13
NS	69NT40-507-1	Door Assembly (Included and Used with <u>REAR</u> -mount USDA only)	1
NS	22-01660-04	Plug, Interrogator Socket (ICR) (5 Pin)	1
OPTION V			
1	22-01660-08	Plug, Sealing	4
2	22-01660-00	Receptacle (PR1, PR2, PR3, Cargo Probe 4) (3 Pin)	4
4	69NT43-175	Cap, Dust, with Tether (3 Pin)	4
6	22-01613-14	Contact, Pin, #16 (Used with 22-01660-00 & 22-01660-03)	13
7	22-02412-00	Receptacle, Interrogator (5 Pin)	1
8	22-02413-00	Cap, Dust, with Tether (5 Pin)	1
9	22-02398-02	Socket, Contact (Silver Plated)	A/R
	22-02398-03	Socket, Contact (Gold Plated)	A/R
USDA PROBE KITS			
OPTION 1			
10	12-00342-03	Sensor Assembly, 600in. lg. (15M) (USDA Probe) - Includes:	A/R
11	22-50127-00	Plug, Socket (PR1, PR2, PR3, Cargo Probe 4)	1
12	22-01613-15	Contact, Socket, #16 (Used with 22-50127-00 & 22-01660-04)	A/R

NOTE

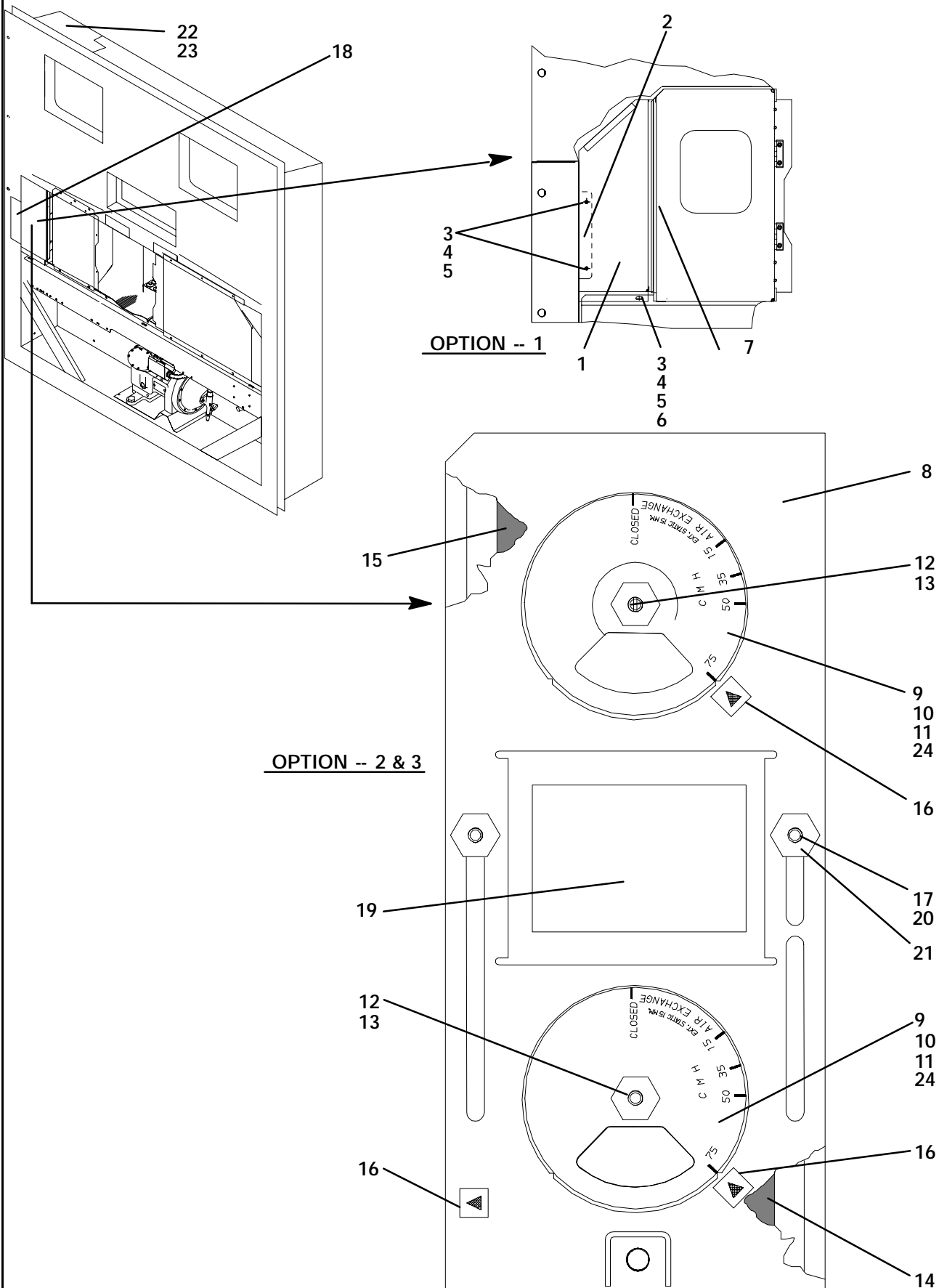
6. Do not mix silver pins with gold pins and sockets.

2.17 UPPER FRESH AIR MAKE-UP AND ACCESS PANEL SECTION



2.17 UPPER FRESH AIR MAKE-UP AND ACCESS PANEL SECTION			
Item	Part Number	Description	Qty
OPTION 1 EVAPORATOR FAN ACCESS PANEL - PLAIN			
1	79-01697-06SV	Panel, Access - Includes:	A/R
2	42-00296-01	Gasket	1
3	42-00327-00	Gasket, - 0.26 x 0.50 Halfmoon	1
4	34-00662-11	Washer, Flat, 1/4 - SST	8
5	34-06053-00	Washer, Mylar, 1/4 ID X 0.80 OD	8
6	34-06154-00	Screw, Hex Head, 1/4-20 x 1.00 lg. - TIR	8
7	66U1-2552-185	Gasket, 0.75 x 1.5 x 16.63	1
OPTION 2 EVAPORATOR FAN ACCESS PANEL - WITH FRESH AIR MAKEUP			
8	79-01694-00	Panel, Fresh Air Make-up w/Retaining Washers - Includes:	A/R
	79-01695-00	Panel with Fresh Air Makeup - Includes:	1
2	42-00296-01	Gasket	1
3	42-00327-00	Gasket, - 0.26 x 0.50 Halfmoon	1
4	34-00662-11	Washer, Flat, 1/4 - SST	8
5	34-06053-00	Washer, Mylar, 1/4 ID X 0.80 OD	8
6	34-06154-00	Screw, Hex Head, 1/4-20 x 1.00 lg. - TIR	8
7	66U1-2552-185	Gasket, 0.75 x 1.5 x 16.63	1
9	-	Label, Fresh Air (See Section 2.33 for Language Selection)	1
10	62-02783-00	Label, Fresh Air	1
OPTION 3 WITH FRESH AIR MAKEUP AND SCREENS - USE ALL OF OPTION 2 AND ITEM BELOW			
11	58-04251-00	Screen, Medfly	2
HEATER ACCESS PANEL			
12	79-01697-07SV	Panel, Access - Includes:	1
13	42-00296-00	Gasket	1
14	66U1-8115	Gasket, Access Panel	1
4	34-00662-11	Washer, Flat, 1/4 - SST	8
5	34-06053-00	Washer, Mylar, 1/4 ID X 0.80 OD	8
6	34-06154-00	Screw, Hex Head, 1/4-20 x 1.00 lg. - TIR	8
STUD ASSEMBLY KITS (REPLACEMENT)			
15	74-00201-02	Kit, Gasket and Stud Assembly (See NOTE 7) - Includes:	1
16	42-00407-00	Gasket (One Piece)	1
17	74-00201-01	Kit, Disc and Stud Assembly (See NOTE 8) - Includes:	1
18	NSS	Stud Assembly, 5/16-18	1
19	34-06185-01	Screw, Machine Pan Head, #8-32 x 1/2 lg. - SST	1
20	34-06053-19	Washer, Mylar, 1.00 OD x 0.312 ID	1
21	66U1-5321-13	Washer, Flat, 5/16 - SST	1
22	66U1-5362-2	Nut, Wing, 5/16-18 - SST	1
NOTES			
7. Disc and stud assembly kit, which will modify stud to 5/16-18, also includes new disc and gasket.			
8. Must order 74-00201-01 stud assembly kit, which will modify stud to 5/16-18, and include 42-00407-01 (1 piece) gasket.			

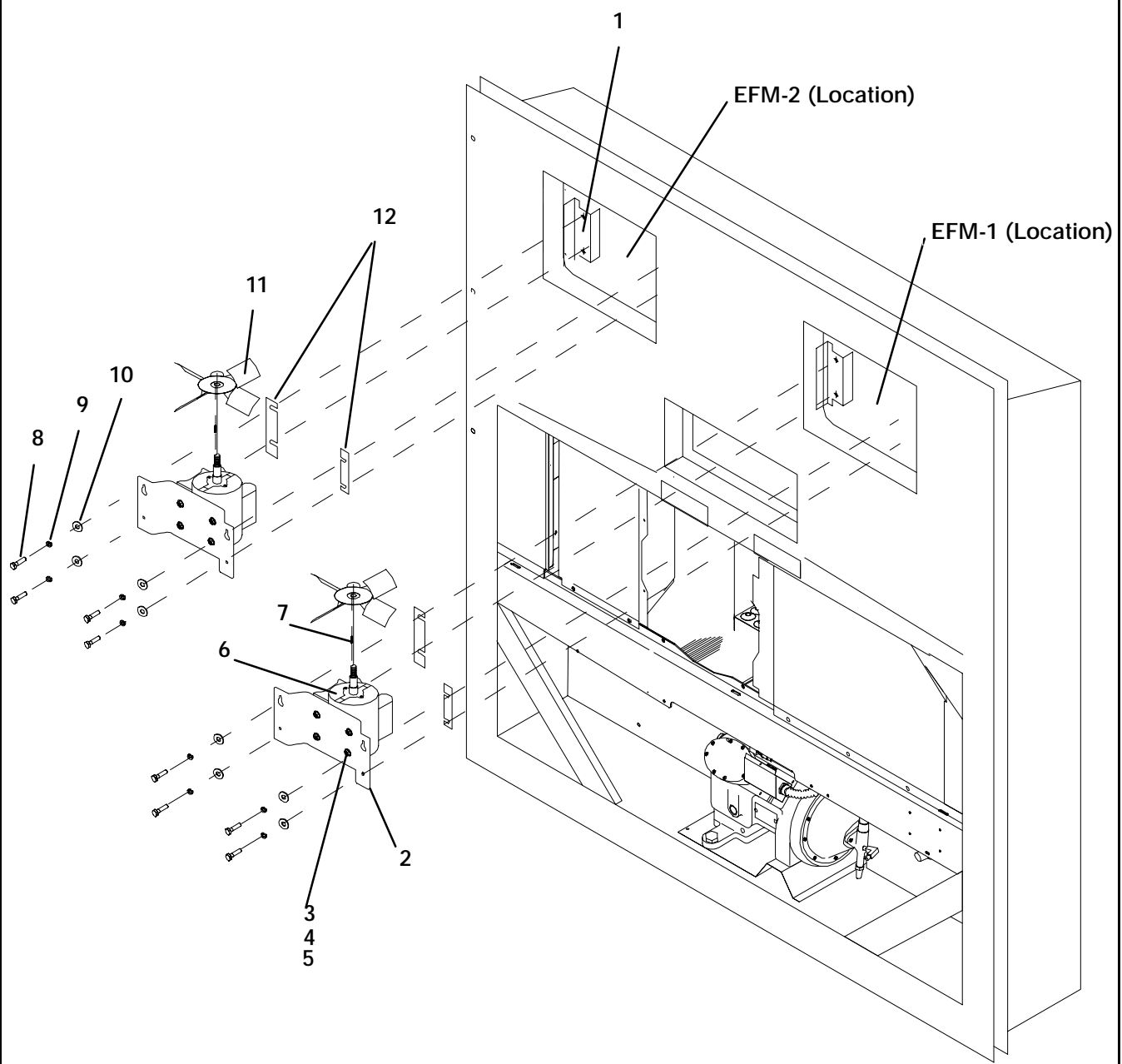
2.18 LOWER FRESH AIR MAKE-UP VENT



2.18 LOWER FRESH AIR MAKE-UP VENT

Item	Part Number	Description	Qty
OPTION 1 - LOWER FRESH AIR (NONE)			
1	69NT35-4047	Panel, Blank	1
2	69NT43-307	Bracket, Panel	1
3	66U1-5361-25	Screw, Hex Head, 1/4-20 x 3/4 lg. - SST	3
4	34-06053-18	Washer, Mylar, 1/4 ID x 1.00 OD	3
5	66U1-5321-3	Washer, Flat, 1/4, Type A- SST	3
6	69NT35-2692-1	Washer, Fender 1/4 - SST	1
7	42-00465-00	Gasket	1
OPTION 2 - INSTALLED			
8	69NT41-852-1	Cover, Fresh Air Makeup - Includes:	1
9	69NT40-976-3	Cover Assembly, Air Bleed - Includes:	2
10	42-00233-01	Gasket, Air Exchange	2
11	69NT35-1417	Label, Air Exchange, CMH - <i>English</i>	2
	69NT35-9238	Label, Air Exchange, CMF - <i>English/Spanish</i>	2
12	34-06092-00	Nut, Hex, 1/4-20 UNC-2B - SST	2
	34-06183-00	Nut, Hex, (with mini handle), 1/4-20 UNC-2B - SST	2
13	34-06053-00	Washer, Mylar, 1/4 ID x 1.00 OD	2
14	42-00295-01	Gasket, Cover	1
15	42-00295-00	Gasket, Cover	1
16	66CH1-1002-33	Label, Arrow	3
17	69NT41-782	Bushing	2
18	69NT35-1287-1	Label, Fresh Air Exchange - <i>English</i>	1
19	69NT35-7012	Label, Fresh Air	1
20	66U1-5321-7	Washer, Flat, 1/4 - SST	2
21	34-06092-00	Nut, Hex, 1/4-20 UNC-2B - SST	A/R
22	69NT35-8348	Baffle, Unpainted	1
23	34-00928-09	Rivet, Blind, .156 Diameter, Grip Range - 3/16-1/4	4
OPTION 3 - INSTALLED WITH SCREENS - USE ALL OF OPTION 2 PLUS ITEM BELOW			
24	58-04263-01	Screen Assembly, Medfly	2

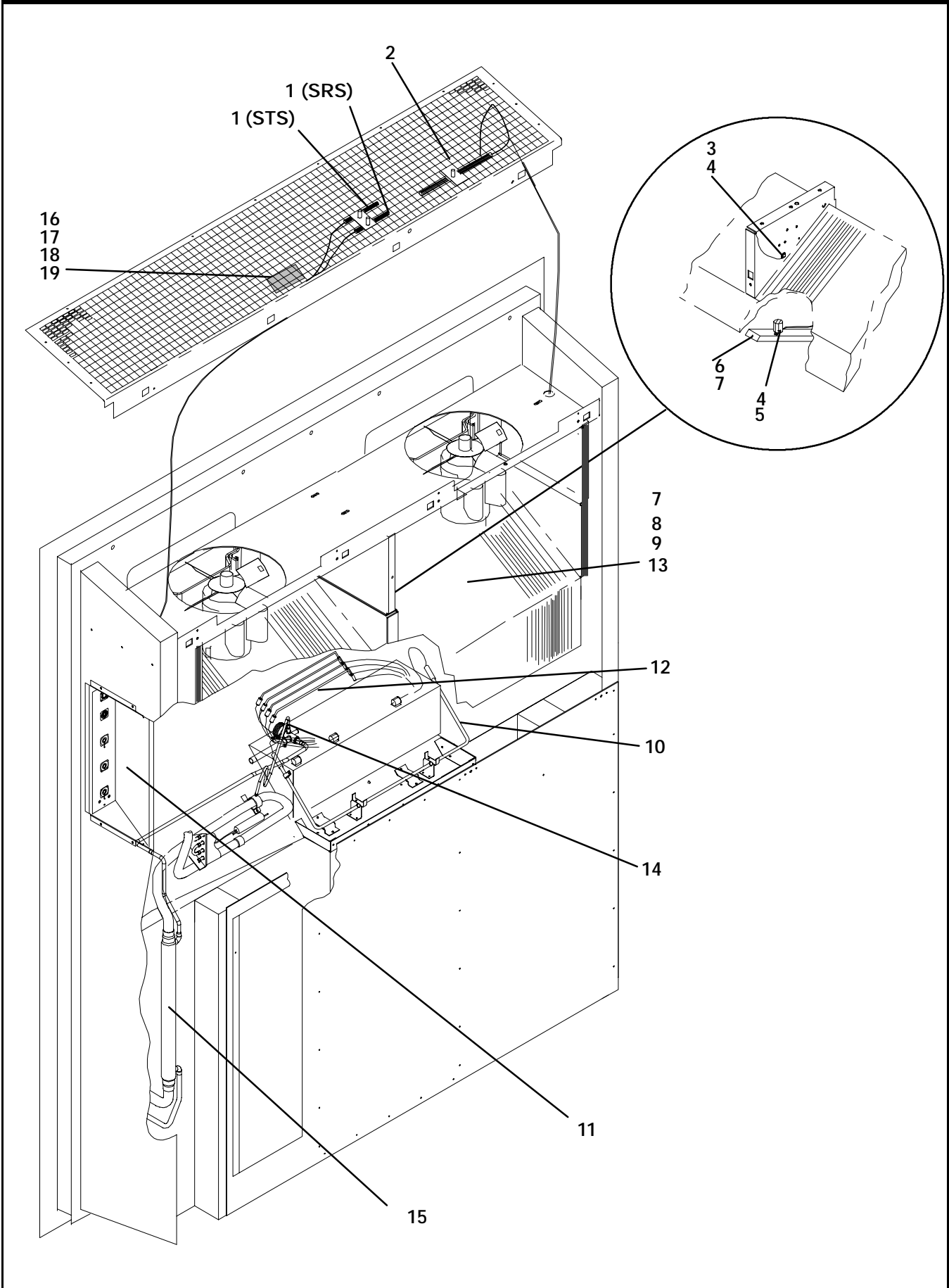
2.19 EVAPORATOR FAN ASSEMBLY



2.19 EVAPORATOR FAN ASSEMBLY

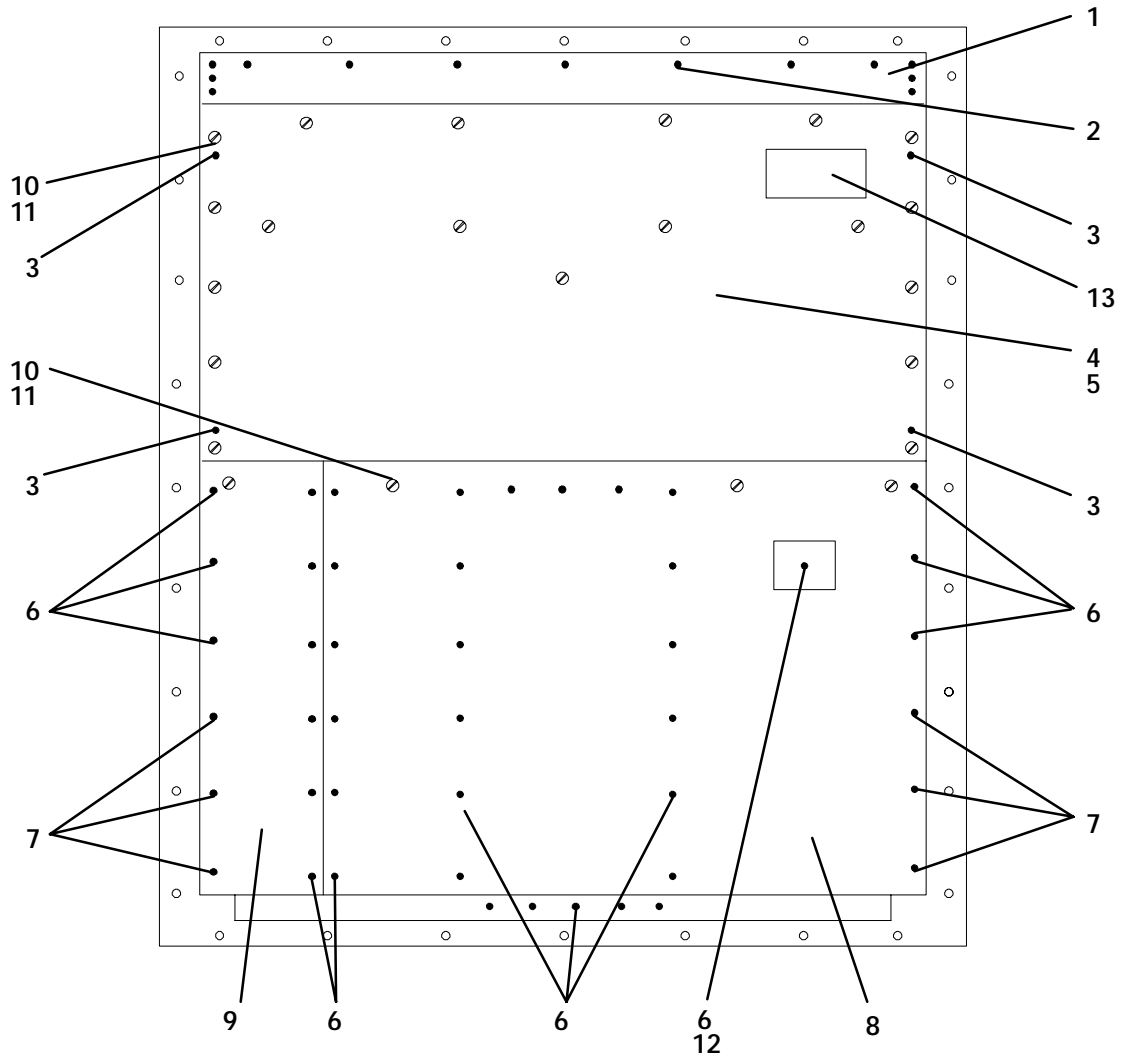
Item	Part Number	Description	Qty
1	69NT40-476	Bracket, Mounting	4
2	69NT35-1173	Bracket, Motor Mount	2
3	34-00792-10	Capscrew, Hex Head, 5/16-18 x 1-1/4 lg – SST	8
4	34-01181-01	Washer, Flat, 5/16 – SST	16
5	34-00667-12	Locknut, 5/16-18 – SST	8
6	54-00513-02	Motor, Evaporator Fan (Two-Speed) – Includes:	2
7	PL	Key, 3/16 Square x 1-3/8 lg – SST	1
NS	54-00122-21	Bearing	2
NS	22-50088-02	Capacitor	1
NS	54-50044-00	Relay, Motor	1
NS	22-50088-00	Capacitor, 20 μ F (microfarads)	1
8	66U1-5361-7	Bolt, Hex Head, 3/8-16 x 1.00 lg – SST	8
9	AU11JR241	Washer, Lock, 3/8 – SST	8
10	66U1-5321-5	Washer, Flat, 3/8 – SST	8
11	38-00125-00	Fan, Evaporator (EFM-1) – Includes:	1
NS	PL	Setscrews, 5/16-24 x 5/8 lg – SST	2
11	38-00126-00	Fan, Evaporator (EFM-2) – Includes:	1
NS	69NT35-1662	Setscrews, 5/16-24 x 5/8 lg – SST	2
12	69NT35-1662-1	Shim, (If Required)	2

2.20 EVAPORATOR COIL SECTION - REAR PANELS REMOVED



2.20 EVAPORATOR COIL SECTION - REAR PANELS REMOVED			
Item	Part Number	Description	Qty
1	12-00395-01SV	Sensor Assembly (SRS & STS)	2
2	-	Sensor, Thermistor, (Temperature Recorder) - Refer to Section 2.24	-
3	12-00495-02SV	Sensor, Thermistor, Defrost (DTS)	1
4	34-01178-22	Screw, Hex Head, #8-32 x 1/2 lg. - SST (For mounting DTS)	3
5	66U1-6912-16	Thermostat, Heat Termination (HTT)	1
6	AA06JA166	Capscrew, Hex Head, 1/4-20 x 1/2 lg.	1
7	AU11JR171	Washer, Lock, 1/4 - SST	10
8	66U1-5361-25	Capscrew, Hex Head, 1/4-20 x 3/4 lg. - SST	9
9	69NT35-2692-1	Washer, Fender, 1/4 - SST	A/R
10	24-00003-00	Heater, Drain Pan	1
11	-	USDA Option - Refer to Section 2.16	-
12	24-00006-02	Heater, Evaporator Coil	4
NS	66U1-3803-1	Tube, Heat Shrink - 1/2 x 2-3/4 lg.	A/R
NS	69NT35-6522	Retainer (For Heaters)	3
NS	69NT35-6532	Clip (For Heaters)	4
OPTION 2 - COIL WITH HERMETIC TXV and STANDARD HEAT EXCHANGER			
13	81-01549-00	Coil, Evaporator - Hermetic	1
14	14-00273-01	Valve, Thermostatic Expansion, Hermetic	1
15	65-00144-00	Exchanger, Heat	1
OPTION 3 - COIL WITH HERMETIC TXV and LARGE HEAT EXCHANGER			
13	81-01549-00	Coil, Evaporator - Hermetic	1
14	14-00273-03	Valve, Thermostatic Expansion, Hermetic	1
15	65-00144-01	Exchanger, Heat	1
DEHUMIDIFICATION			
-	76-00675-01	Kit, Humidity Sensor(Field installation, units provisioned for - See Unit Matrix, T-300) - Includes:	-
16	10-00413-00	Sensor, Humidity (HS)	1
17	66U1-5371-10	Screw, Hex Head, #10-24 x 1.00 lg. - SST	4
18	66U1-5321-8	Washer, Flat, #10 - SST	2
19	68-13181-00	Bracket Assembly, Humidity Sensor	1

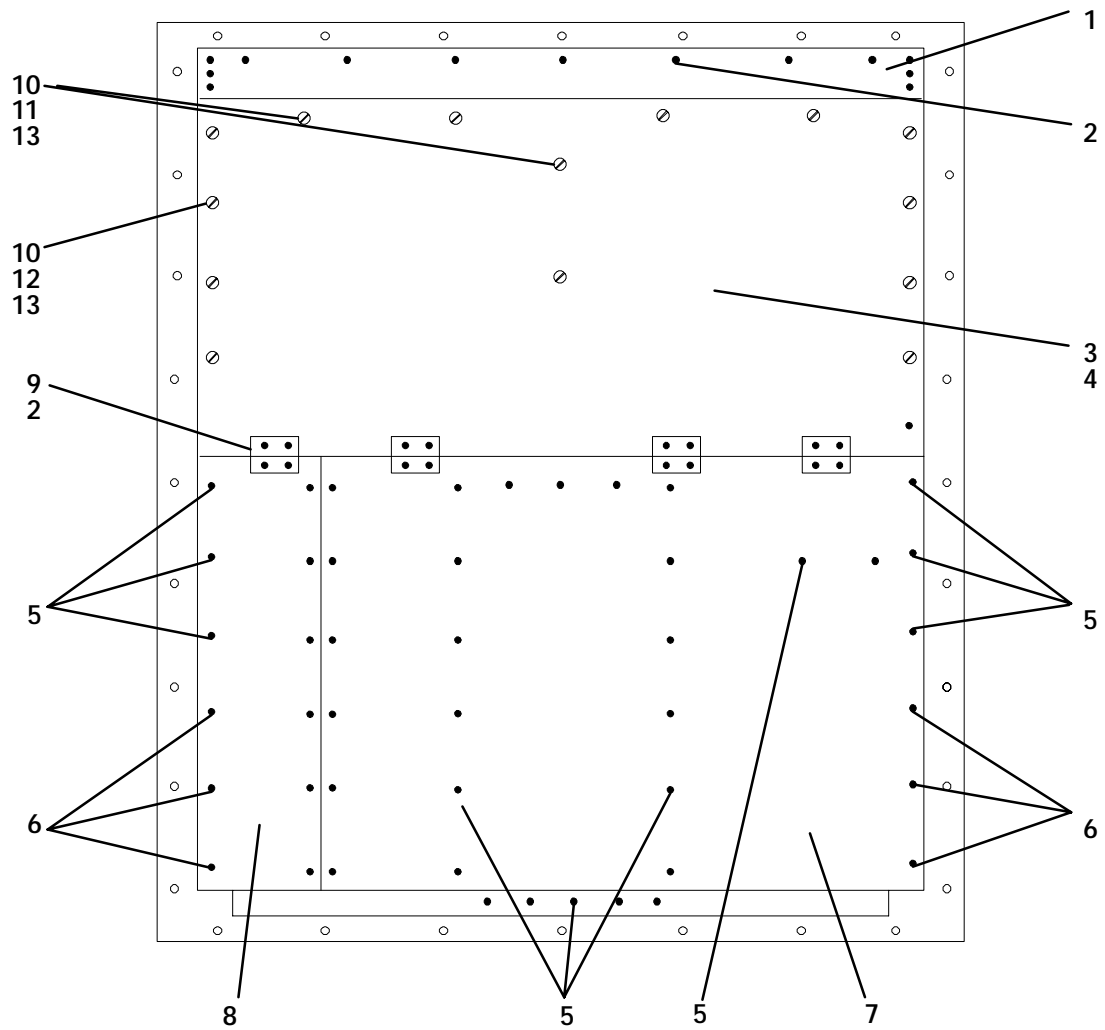
2.21 BACK PANEL ASSEMBLY - OPTION 1 - ALUMINUM BOLTED



2.21 BACK PANEL ASSEMBLY - OPTION 1 - ALUMINUM BOLTED

Item	Part Number	Description	Qty
1	69NT43-464	Grille, Top (Unpainted)	1
2	34-00928-09	Rivet, Blind, 5/32 Diameter, Grip Range - 1/8-1/4	21
3	66U1-7982-2	Rivet, TIR, 3/16 Diameter, Grip Range - 5/64-11/64	4
4	69NT41-942-3	Panel Assembly, Upper - Includes:	1
NS	NSS	Drain Pan, Side (Location - Behind upper panel)	2
NS	NSS	Drain Pan, Center (Location - Behind upper panel - Top)	1
5	42-00334-00	Gasket (Location - Behind upper panel)	1
NS	66U1-8075	Gasket (25 ft., Cut to length)	A/R
6	34-00928-02	Rivet, Blind, 1/8 Diameter, Grip Range - 1/8-3/16	46
7	34-00928-03	Rivet, Blind, 1/8 Diameter, Grip Range - 3/16-1/4	3
8	68-13475-00	Panel, Bottom, (Painted)	1
8	68-13475-08	Panel, Bottom, (Unpainted)	1
9	68-13475-01	Panel, Bottom (Provision for heat exchanger location), (Painted)	1
9	68-13475-09	Panel, Bottom (Provision for heat exchanger location), (Unpainted)	1
10	66U1-2403	Screw, Machine, Truss Head, #10-24 x 1/2 lg. - SST	20
11	69NT35-2692	Washer, Fender, #10 x 1.00 OD - SST	20
12	69NT35-2257	Duct, Air	1
13	62-02822-01	Label, Carrier Transicold	1

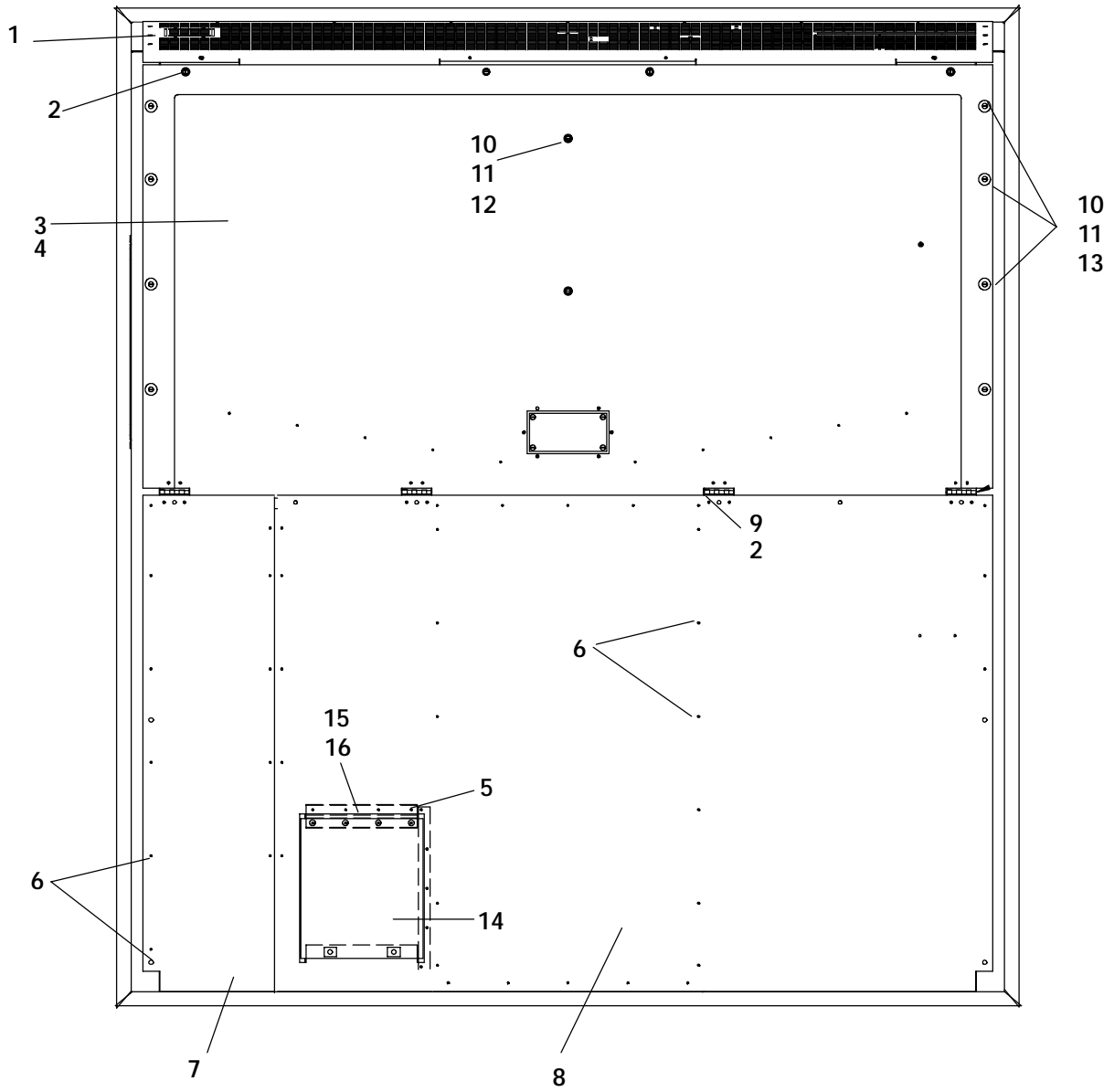
2.22 BACK PANEL ASSEMBLY - OPTION 4 - ALUMINUM HINGED



2.22 BACK PANEL ASSEMBLY - OPTION 4 - ALUMINUM HINGED

Item	Part Number	Description	Qty
1	69NT43-464	Grille, Top	1
2	34-00928-09	Rivet, Blind, 5/32 Diameter, Grip Range - 1/8-1/4	37
3	69NT41-942-4	Panel Assembly, Upper - Includes:	1
NS	NSS	Drain Pan, Side	2
NS	NSS	Drain Pan, Center	1
4	42-00334-00	Gasket (Location - Behind upper panel)	1
5	34-00928-02	Rivet, Blind, 1/8 Diameter, Grip Range - 1/8-3/16	46
6	34-00928-03	Rivet, Blind, 1/8 Diameter, Grip Range - 3/16-1/9	3
7	68-13475-00	Panel, Bottom, (Painted)	1
	68-13475-08	Panel, Bottom, (Unpainted)	1
8	68-13475-01	Panel, Bottom (Provision for USDA location), (Painted)	1
	68-13475-09	Panel, Bottom (Provision for USDA location), (Unpainted)	1
NS	66U1-8075	Gasket (25 ft., Cut to length)	A/R
9	69NT35-3282	Hinge	4
10	34-01150-30	Washer, Retaining	14
11	34-01150-06	Stud, 1/4 Turn, 1.03 lg.	6
12	34-01150-03	Stud, 1/4 Turn, 0.94 lg.	8
13	34-01150-31	Receptacle, Retaining	14

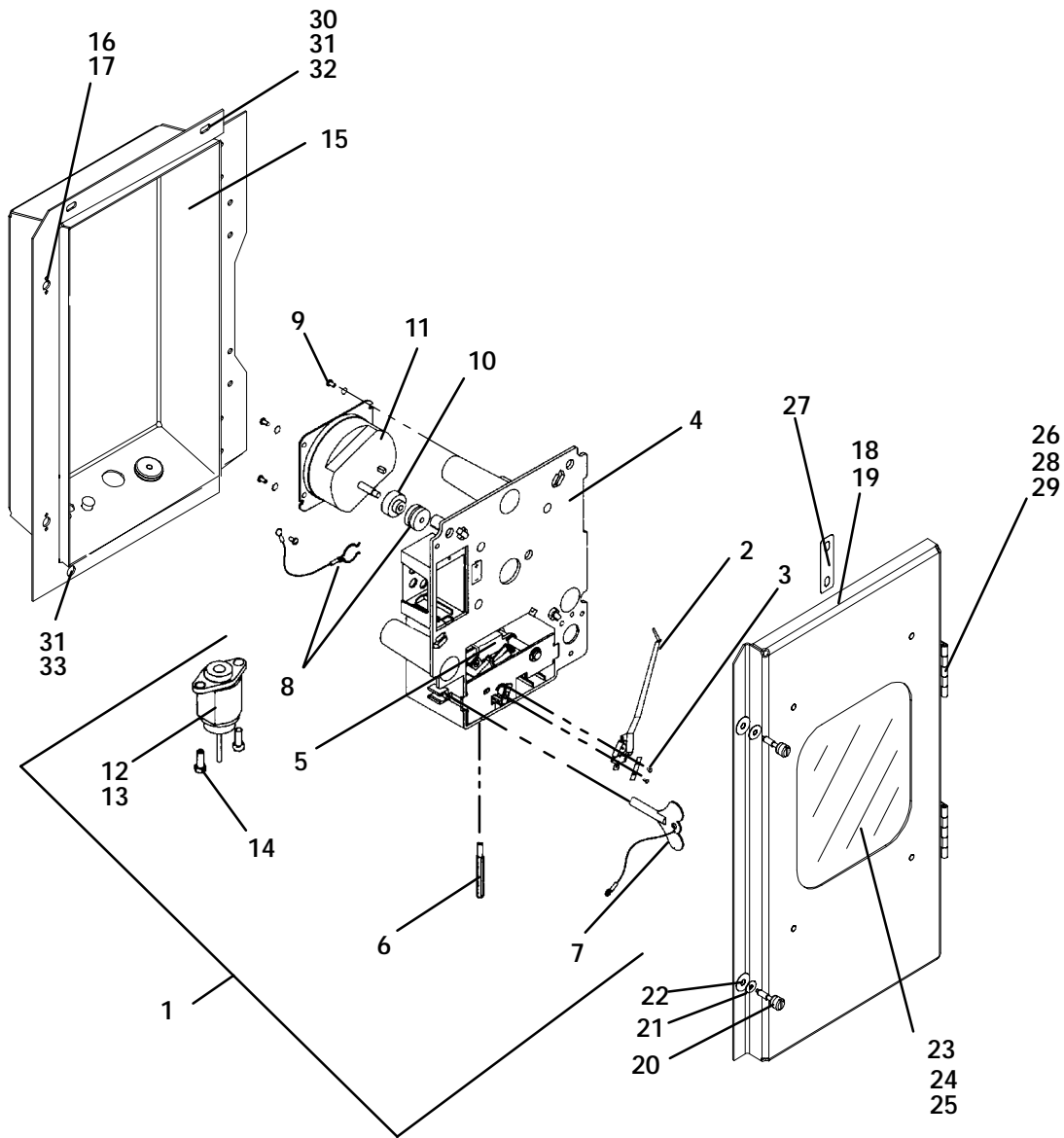
2.23 BACK PANEL ASSEMBLY - OPTION 8 - HINGED ALUMINUM WITH DRAIN ACCESS DOOR



2.23 BACK PANEL ASSEMBLY - OPTION 8 - HINGED ALUMINUM WITH DRAIN ACCESS DOOR

Item	Part Number	Description	Qty
1	69NT43-464	Grille, Top	1
2	34-00928-09	Rivet, Blind, 5/32 Diameter, Grip Range - 1/8-1/4	37
3	68-13729-06	Panel Assembly, Upper - Includes:	1
	NSS	Gutter	1
	NSS	Channel	2
4	42-00174-34	Gasket (Location - Behind upper panel)	1
5	34-00928-02	Rivet, Blind, 1/8 Diameter, Grip Range - 1/8-3/16	42
6	34-00928-03	Rivet, Blind, 1/8 Diameter, Grip Range - 3/16-1/9	2
7	68-13729-07	Panel, Bottom	1
8	69NT35-8658	Panel, Bottom (Provision for Drain Access Door location)	1
NS	42-00145-34	Gasket	A/R
9	69NT35-3282	Hinge	4
10	34-01150-30	Washer, Retaining	14
11	34-01150-06	Stud, 1/4 Turn, 1.03 lg.	6
12	34-01150-03	Stud, 1/4 Turn, 0.94 lg.	8
13	34-01150-31	Receptacle, Retaining	14
14	68-13475-05	Drain Access Door	1
15	66U1-2803-10	Hinge	1
16	69NT35-7662	Hinge Spacer	1

2.24 PARTLOW TEMPERATURE RECORDER

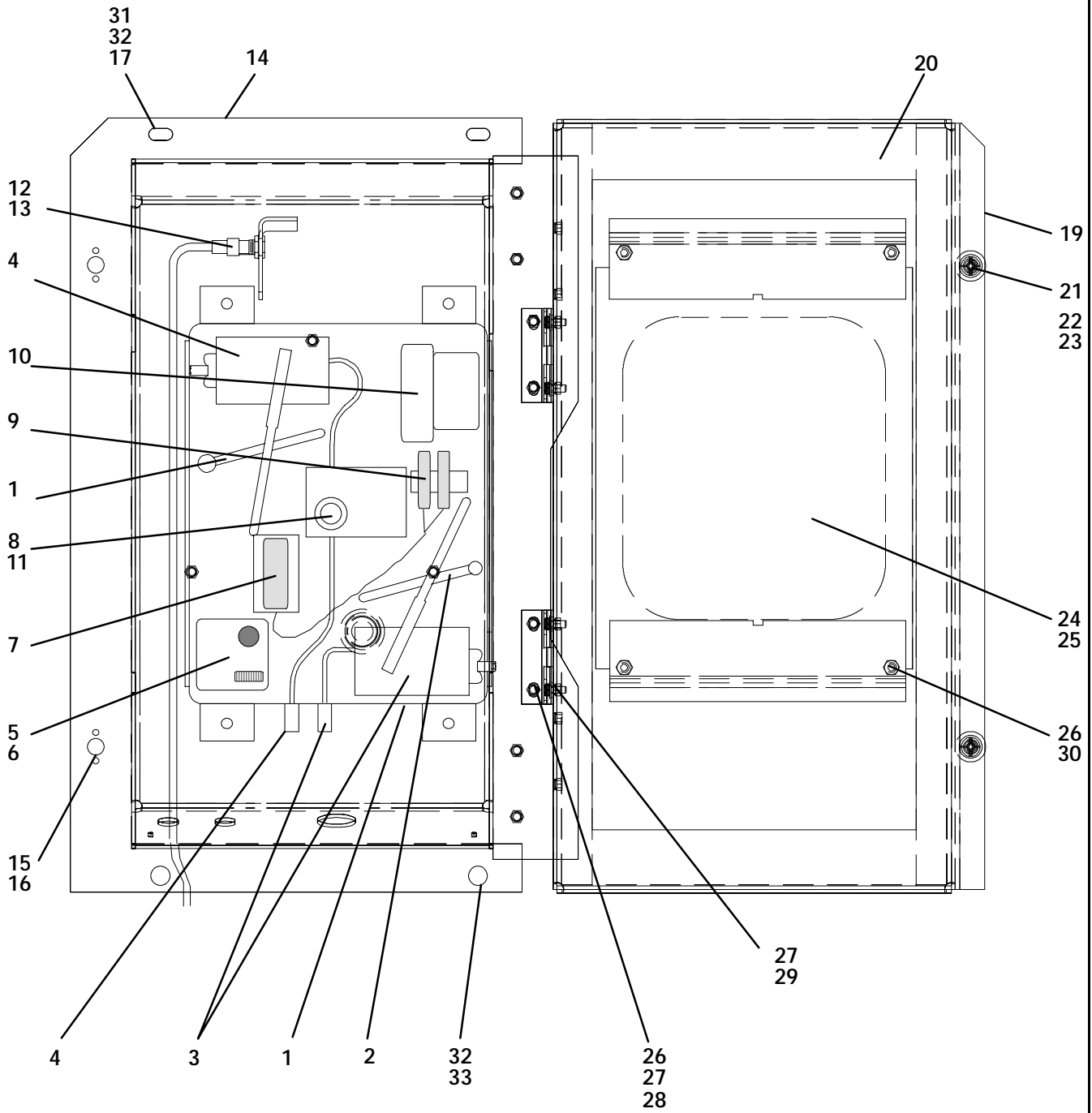


Item	Part Number	Description	Qty
OPTION 1, OPTION 2, OPTION 3 AND OPTION 4			
-	76-00701-04 OPTION 1	Recorder Kit-Partlow without Simpson Probe - Includes: Recorder, Box and Door Assy's	1
1	12-00421-02	Temperature Recorder without Simpson Probe-Includes:	1
-	76-00701-00 OPTION 2	Recorder Kit-Partlow with Simpson Probe - Includes: Recorder, Box and Door Assy's	1
1	12-00421-00	Temperature Recorder with Simpson Probe-Includes:	1
-	76-00701-01 OPTION 3	Recorder Kit-Partlow, Battery Operated without Simpson Probe - Includes: Recorder, Box and Door Assy's (For field installation, units provisioned for - Refer to Unit Matrix T-300)	1
1	12-00421-01	Temperature Recorder, Battery Operated w/o Simpson Probe -Includes:	1
-	76-00701-12 OPTION 4	Recorder Kit-Partlow, Battery Operated without Simpson Probe - Includes: Recorder, Box and Door Assy's (For field installation, units provisioned for - Refer to Unit Matrix T-300)	1
1	12-00421-03	Temperature Recorder, Battery Operated w/ Simpson Probe -Includes:	1

OPTION 1 - PARTLOW WITHOUT PROBE & OPTION 2 - PARTLOW WITH PROBE (Continued)

Item	Part Number	Description	Qty
2	09-00104-05	Kit, Stylus - Includes:	1
3	NSS	Screw, Round Head, #2-56 x 3/16 lg.	2
4	09-00296-00	Mechanism and Platen Assembly	1
5	09-00345-00	Main Lever and Push Rod Assembly (Includes Setscrews)	1
6	09-00344-00	Rod, Push	1
7	09-00114-00	Key, Clock Winding	1
8	09-00119-00	Nut and Chain, Chart (Sonceboz Clock)	1
8	09-00180-00	Nut and Chain, Chart (Gluck Clock)	1
9	PL	Screw, Round Head #6-32 x 5/16	7
10	09-00118-00	Flange, Chart Drive (Sonceboz)	1
10	09-00180-01	Flange, Chart Drive (Gluck)	1
11	09-00123-00	Clock, 31 Day, CCW (Counterclockwise)	1
11	09-00302-00	Clock, 31 Day, CCW (Counterclockwise) Battery Operated Used with P/N 12-00421-01 & 03	1
12	09-00137-00	O-Ring, Element Flange	4
13	09-00209-00	Element, 9 ft. lg. - Includes:	1
NS	09-00222-00	Sensor, Thermistor (Accessory 344 and Jack) - 15 ft. lg.	1
13	09-00236-00	Element, 10 ft. lg. Used with P/N 12-00421-01 & -02	1
14	09-00136-00	Screw, Flange	2
15	76-00701-06SV	Box Assembly - Includes:	1
16	34-01142-01	Receptacle - #12	2
17	34-00928-01	Rivet, Blind, .125 Diameter, Grip Range .063 - .125 - SST	4
NS	09-00303-00	Battery Cover (Includes Hardware)	1
NS	22-02243-00	Pin (Use with Partlow Thermistor Assembly)	3
NS	09-00128-00	Charts _F - 31 Day (Box of 50) (-20_F to +80_F)	A/R
NS	09-00128-01	Charts _C - 31 Day (Box of 50) (-25_C to +25_C)	A/R
18	76-00701-05	Door Assembly - Includes:	1
19	42-01098-01	Gasket, Door	1
20	66U1-6811-8	Screw, Retaining - SST	2
21	34-06053-00	Washer, 1/4 I.D. x 1 O.D. - Mylar	2
22	34-06169-00	Washer, Retaining - SST	2
23	69NT35-5022-5	Window	1
24	69NT35-5352-1	Gasket	1
25	34-00795-09	Nut, Selflock, 1/4-20 - SST	4
26	44-00374-00	Hinge - SST	2
27	58-04101-07	Protector, .010 Thick x .75 x 2.63 - Mylar	4
28	34-06179-00	Screw, Hex Head, Slotted, #10-24 x 7/16 lg. - SST	8
29	34-06179-04	Screw, Hex Head, Slotted, #10-24 x 5/16 lg. - SST	4
30	66U1-5321-7	Washer, Flat, 1/4 - SST	2
31	66U1-5361-25	Screw, Cap, Hex Head, 1/4-20 x .75 lg. - SST	4
32	34-06053-13	Washer, Retaining, .19 I.D. x .80 O.D. - Mylar	2
33	69NT35-2692-1	Washer, Fender, 1/4 I.D. x .993-1.015 O.D.	2
NS	PL	Battery - 1.5 volt (D cell size) Alkaline	1

2.25 SAGINOMIYA TEMPERATURE RECORDER

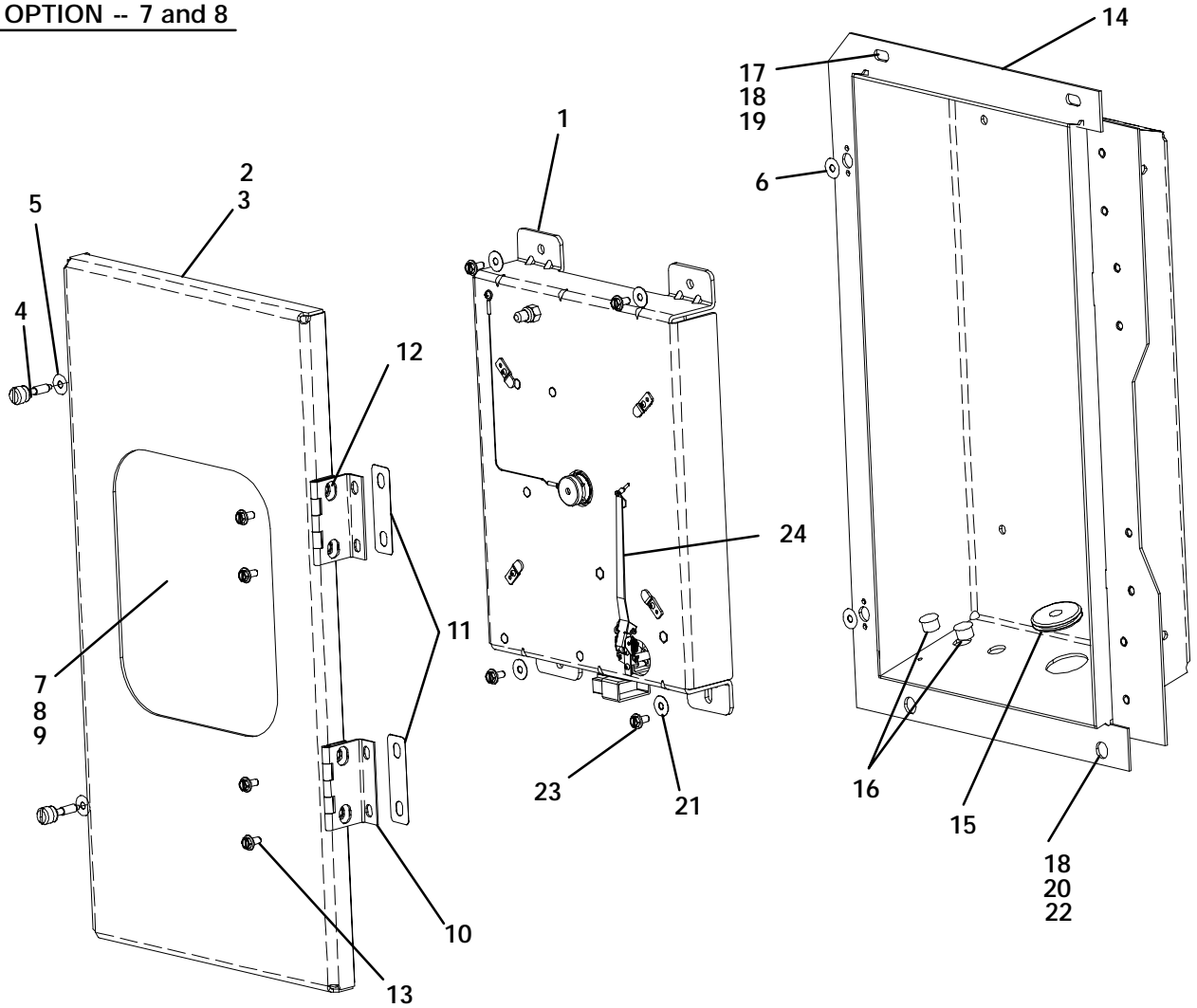


2.25 SAGINOMIYA TEMPERATURE RECORDER			
Item	Part Number	Description	Qty
OPTION 5 - SAGINOMIYA WITHOUT PROBE AND & OPTION 6 - SAGINOMIYA WITH PROBE			
-	76-00701-03 OPTION 5	Recording Thermometer Assembly w/Return Sensor - Includes: Recorder, Box and Door Assy's	1
1	12-01094-00	Recording Thermometer w/Return Sensor - Includes:	1
-	76-00701-02 OPTION 6	Recording Thermometer Assembly w/Return & Supply Sensor - Includes: Recorder, Box and Door Assy's	1
1	12-01094-01	Recording Thermometer w/Return and Supply Sensor - Includes:	1
2	09-00365-00	Stylus, Lift Arm (See NOTE 9)	1
3	09-00364-00	Element Assembly	1
4	09-00367-00	Element Assembly (Used on P/N 12-01094-01)	1
5	09-00362-00	Indicator, Voltage	1
6	09-00363-00	Plate, Recorder	1
7	PL	Battery (Mallory R14P/S 1.5 vdc)	1
8	09-00326-00	Shaft, Chart	1
9	09-00329-00	Block, Terminal	1
10	09-00322-00	Timer (31 Day)	1
11	09-00325-00	Nut, Chart (Male)	1
12	69NT40-402-1	Sensor Assembly, Return Temperature (Used on 76-00701-02) - Includes:	1
NS	12-01095-00	Sensor, Thermistor	1
13	22-02370-00	Jack, Phono (Used on 76-00701-02)	2
14	76-00701-06SV	Box Assembly, Recorder - Includes:	1
15	34-01142-01	Receptacle, Retaining	2
16	34-00928-01	Rivet, Blind, .125 Diameter, Grip Range .063-.125 - SST	4
17	34-06053-13	Washer, .195 I.D. x .80 O.D. - Mylar	2
18	34-01142-01	Receptacle, Retaining	2
19	76-00701-05	Door Assembly, Recorder Box - Includes:	1
20	42-01098-01	Gasket, Door	1
21	66U1-6811-8	Screw, Retaining - SST	2
22	34-06169-00	Washer, Retaining - SST	2
23	34-06053-00	Washer, 1/4 I.D. x 1.00 O.D. - Mylar	4
24	69NT35-5022-5	Window, Lexan	1
25	69NT35-5352-1	Gasket, Window	1
26	44-00374-00	Hinge Assembly - SST	2
27	58-04101-07	Protector, Mylar (For Hinge)	4
28	34-06179-00	Screw, Hex Head, #10-24 x 7/16 lg. - SST	4
29	34-06179-04	Screw, Hex Head, #10-24 x 5/16 lg. - SST	4
30	34-00795-09	Nut, Selflock, #10-32 - SST	4
31	66U1-5321-7	Washer, Flat, 1/4 - SST	2
32	66U1-5361-25	Screw, Cap Hex Head, 1/4-20 x .75 lg. - SST	4
33	69NT35-2692-1	Washer, Fender, 1/4 I.D. x .993-1.015 O.D.	2
NS	09-00128-00	Charts _F - 31 Day (Box of 50) (-20_F to +80_F)	A/R
NS	09-00128-01	Charts _C - 31 Day (Box of 50) (-25_C to +25_C)	A/R

9. NOTE: The quantity is two for these charts when using P/N 12-01094-01.

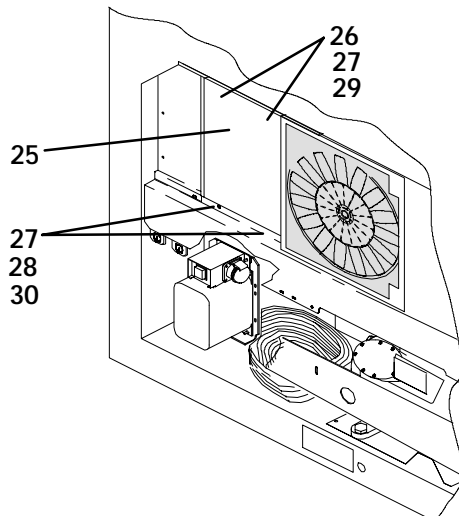
2.26 OPTION 7 AND OPTION 8 - ELECTRONIC PARTLOW TEMPERATURE RECORDER

OPTION -- 7 and 8



2.27 OPTION 9 - NO TEMPERATURE RECORDER

OPTION 9



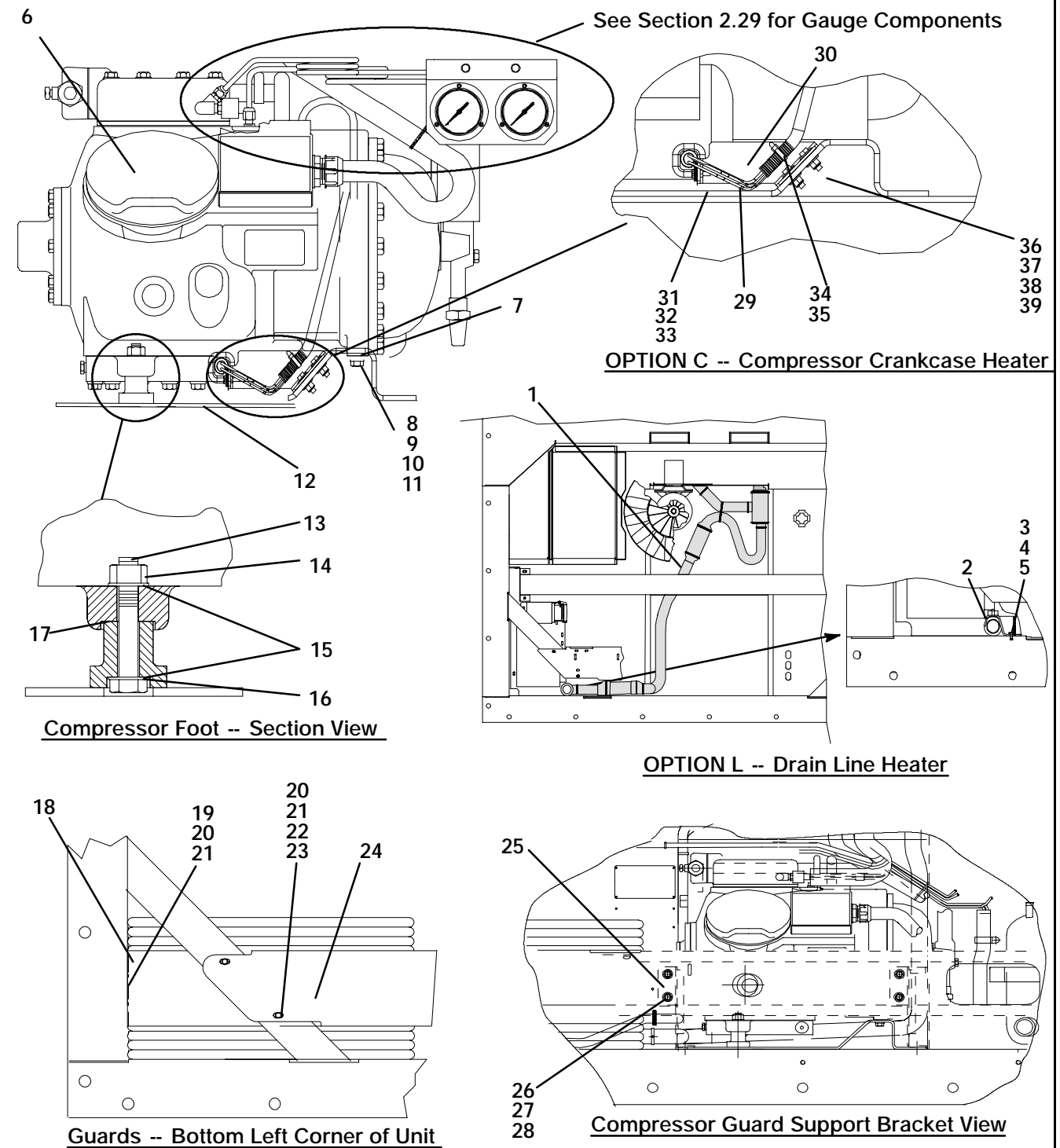
2.26 OPTION 7 AND OPTION 8 - ELECTRONIC PARTLOW TEMPERATURE RECORDER

Item	Part Number	Description	Qty
-	76-00701-11 OPTION 7	Partlow Recorder Kit, Standard - Includes: Recorder, Box & Door Assy's (For field installation, units provisioned for - Refer to Manual T-300)	1
1	12-00464-08	Electronic Temperature Recorder	1
-	76-00701-10 OPTION 8	Partlow Recorder Kit, Special - Includes: Recorder, Box & Door Assy's (For field installation, units provisioned for - Refer to Manual T-300)	1
1	12-00464-07	Electronic Temperature Recorder	1
2	76-00701-05	Door Assembly - Includes:	1
3	42-01098-01	Seal, Door - Rubber	1
4	66U1-6811-8	Screw, Retaining - .300 - .625 Panel Thickness - SST	2
5	34-06053-00	Washer, .25 I.D. x 1.00 O.D. - Mylar	4
6	34-06169-00	Washer, Retaining - SST	2
7	69NT35-5022-5	Window	1
8	69NT35-5352-1	Gasket	1
9	34-00795-09	Nut, Selflock, 1/4-20	4
10	44-00374-00	Hinge	2
11	58-04101-07	Protector - Mylar	4
12	34-06179-04	Screw, Hex Head, SEMS, #10-24 x 5/16 lg.	4
13	34-06179-00	Screw, Hex Head, #10-24 x 7/16 lg. - SST	4
14	76-00701-06SV	Box Assembly - Includes:	1
15	58-00065-67	Grommet, 3/8 ID x 1.25 OD	1
16	58-00065-70	Plug, Hole, .50 DIA	2
17	66U1-5321-7	Washer, Flat, 1/4 - SST	2
18	66U1-5361-25	Screw, Cap, Hex Head, 1/4-20 x .75 lg. - SST	4
19	34-06053-13	Washer, Retaining, .19 I.D. x .80 O.D. - Mylar	2
20	69NT35-2692-1	Washer, Fender, 1/4 I.D. x .993-1.015 O.D.	2
21	34-06053-05	Washer, 1/4 I.D. x 1 O.D. - Mylar	4
22	34-06053-03	Washer, .25 I.D. x .19 O.D. - Mylar	2
23	34-06179-00	Screw, Hex Head, SEMS, #10-24 x 7/16 lg.	4
24	09-00371-00	Stylus Arm	1
NS	-	Chart - Owner Supplied	A/R
NS	09-00128-00	Charts _F - 31 Day (Box of 50) (-20_F to +80_F)	A/R
NS	09-00128-01	Charts _C - 31 Day (Box of 50) (-25_C to +25_C)	A/R

2.27 OPTION 9 - NO TEMPERATURE RECORDER

Item	Part Number	Description	Qty
25	68-12658-01	Panel	1
26	66U1-5321-7	Washer, Flat, 1/4 - SST	2
27	66U1-5361-25	Screw, Cap Hex Head, 1/4-20 x .75 lg. - SST	4
28	69NT35-2692-1	Washer, Fender, 1/4 I.D. x .993-1.015 O.D.	2
29	34-06053-13	Washer, Retaining, .195 I.D. x .80 O.D. - Mylar	2
30	34-06053-03	Washer, .25 I.D. x 1.00 O.D. - Mylar	2

2.28 COMPRESSOR MOUNTING, GUARD, CRANKCASE AND DRAIN LINE HEATER COMPONENTS



OPTION B - CRANKCASE HEATER AND DRAIN LINE HEATER

Use Option C and Option L for Both Crankcase Heater and Drain Line Heater

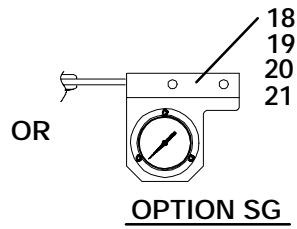
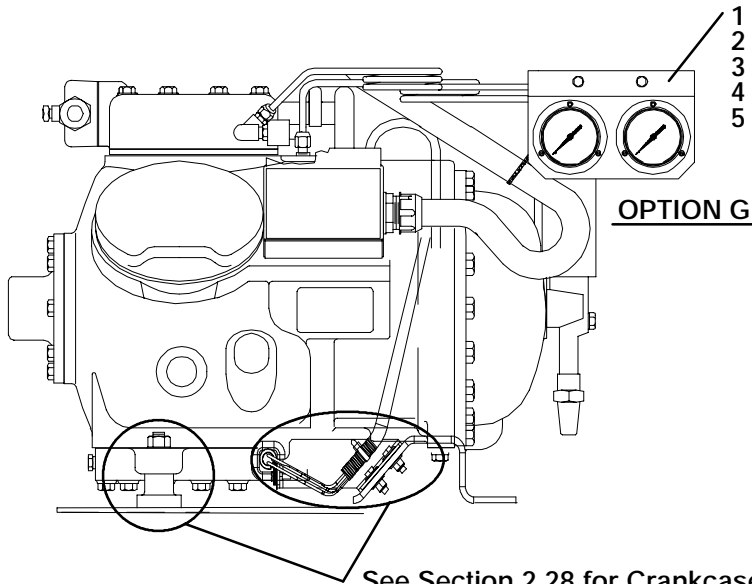
OPTION L - DRAIN LINE HEATER

1	22-01877-00	Hose Assembly	1
2	68-12960-00	Bracket, Drain	1
3	66U1-5371-6	Screw, Hex Head, #10-24 x 3/4 lg. - SST	2
4	34-06053-05	Washer, Mylar, 0.205 ID x 0.600 OD	2
5	66U1-5321-8	Washer, Flat, 7/16 - SST	2

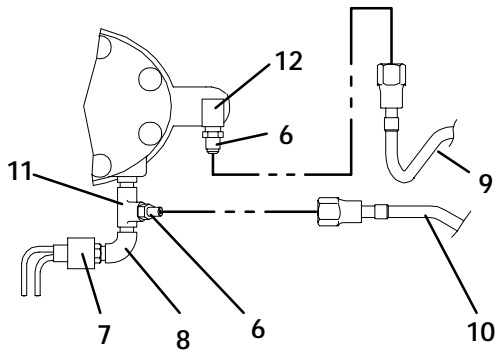
2.28 COMPRESSOR MOUNTING, GUARD, CRANKCASE AND DRAIN LINE HEATER COMPONENTS

Item	Part Number	Description	Qty
6	-	Compressor - Refer to Section 4	-
7	69NT35-6132	Protector (Compressor to Compressor Base)	1
8	AU11JR241	Washer, Lock, 3/8 - SST	2
9	AA06JA232	Capscrew, Hex Head, 3/8-16 x 1-1/4 lg. - SST	2
10	34-00829-13	Washer, Flat, 3/8 - SST	2
11	34-06053-02	Washer, Mylar, 0.375 ID x 1.00 OD	2
12	69NT43-469	Base, Compressor	1
NS	66U1-5361-7	Bolt, Hex Head, 3/8-16 x 1.00 lg. - SST	7
NS	66U1-5321-5	Washer, Flat, 3/8 - SST	7
NS	AU11JR241	Washer, Lock, 3/8 - SST	7
NS	34-06053-02	Washer, Mylar, 0.375 ID x 1.00 OD	7
13	34-00849-22	Capscrew, 7/16-14 x 2-3/4 lg. - SST	2
14	34-00667-14	Locknut, 7/16-14 - SST	2
15	66U1-5321-8	Washer, Flat, 7/16 - SST	4
16	34-06053-07	Washer, Mylar, 0.438 ID x 0.922 OD	2
17	34-06053-01	Washer, Mylar, 0.438 ID x 1.125 OD	2
18	68-12993-00	Panel, Guard	1
	68-12523-00	Panel, Guard - Large	1
19	66U1-5361-25	Screw, Hex Head, 1/4-20 x 3/4 lg. - SST	1
20	66U1-5321-7	Washer, Flat, 1/4 - SST	9
21	34-06053-00	Washer, Mylar, 1/4 ID x 3/4 OD	9
22	66U1-5361-11	Capscrew, Hex Head, 1/4-20 x 1-1/2 lg. - SST	4
23	34-00667-11	Locknut, 1/4-20 - SST	4
24	68-13691-00	Guard, Compressor, .125 Thick Alum. (Blue)	1
	68-12432-03	Guard, Compressor, .125 Thick Alum., For Right Extended Guard (Blue)	1
25	68-13576-00	Bracket	2
26	34-00655-05	Screw, Cap Hex Head 1/4-20	4
27	34-06053-15	Washer, Myler .875-.313	4
28	66U1-5321-7	Washer 1/4 - SST	4
OPTION C - CRANKCASE HEATER			
-	76-50094-00	Crackcase Heater Installation Kit - Includes:	1
29	24-02017-00	Heater, Compressor Crankcase (CCH) NSS	1
30	68-14175-00	Bracket, Heater NSS	1
31	44-00370-03	Clamp, Tube,Cushioned, 1/2 Diameter - SST	1
32	34-06053-03	Washer, Mylar, 1/4 ID x 1.0 OD	1
33	66U1-5371-6	Screw, Machine Hex Head, #10-24 x .75 lg. - SST	1
34	58-04316-00	Wire Tie Base	1
35	66U1-3882	Wire Tie	1
NS	66U1-3803	Heat Shrink Tubing	3
NS	22-01292-00	Butt Splice	3
NS	22-00121-27	Terminal, Ring	1
NS	02-00010-01	Thermo Grease	1
36	34-00665-08	Screw, Hex Head, 1/4-20 x 1.00 lg - SST	2
37	34-06053-00	Washer, Mylar, 0.25 ID x 0.75 OD	4
38	34-00662-11	Washer, Flat, 1/4 x 0.05 Thk.	4
39	34-00667-11	Locknut, 1/4-20	2

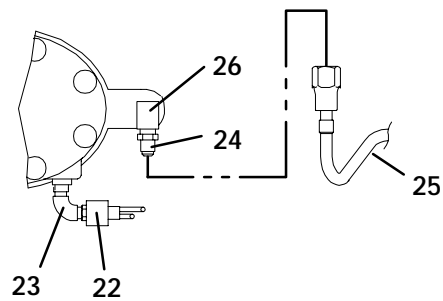
2.29 COMPRESSOR GAUGES AND TRANSDUCERS



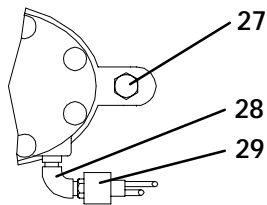
See Section 2.28 for Crankcase Heater and Mounting Components



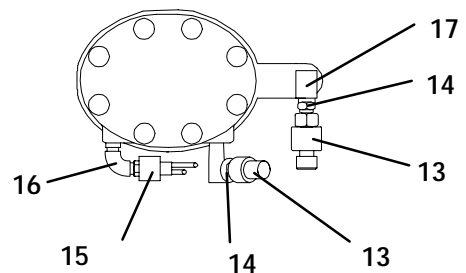
OPTION G -- Center Cylinder Head View with Both gauges



OPTION SG -- Center Cylinder Head View with Suction Gauge Only



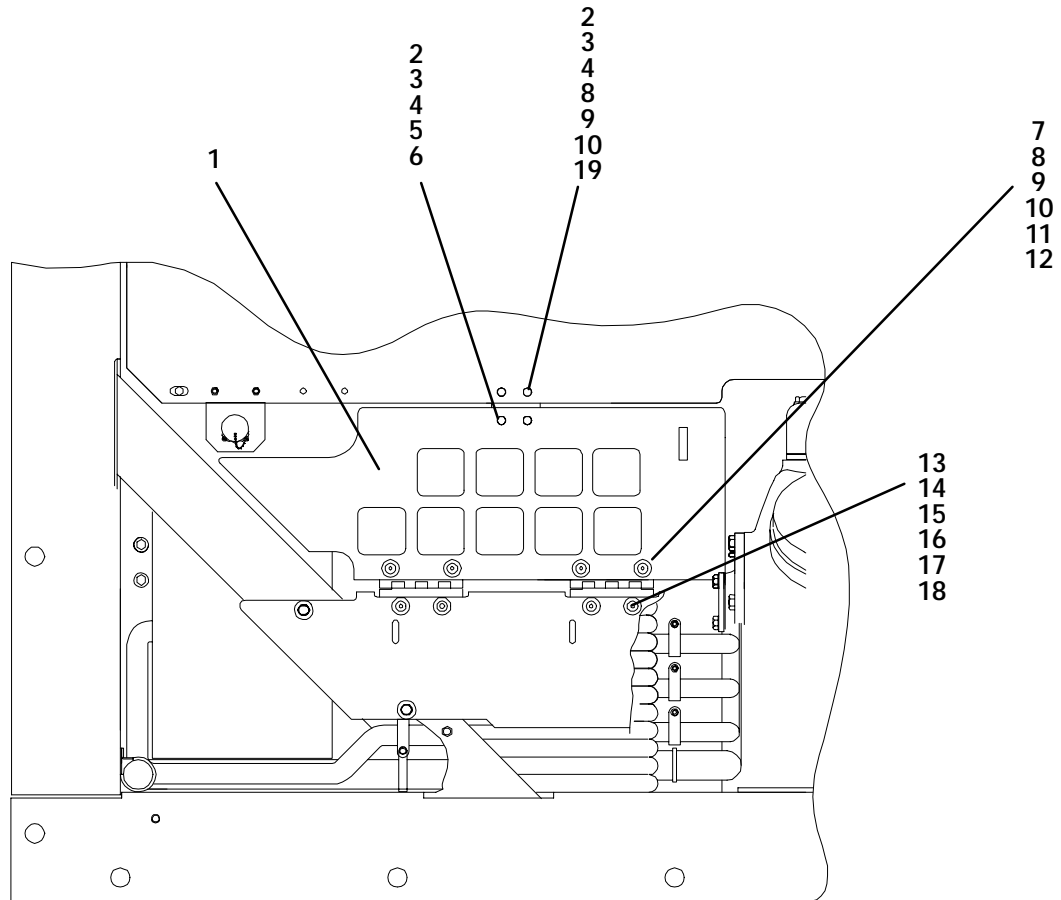
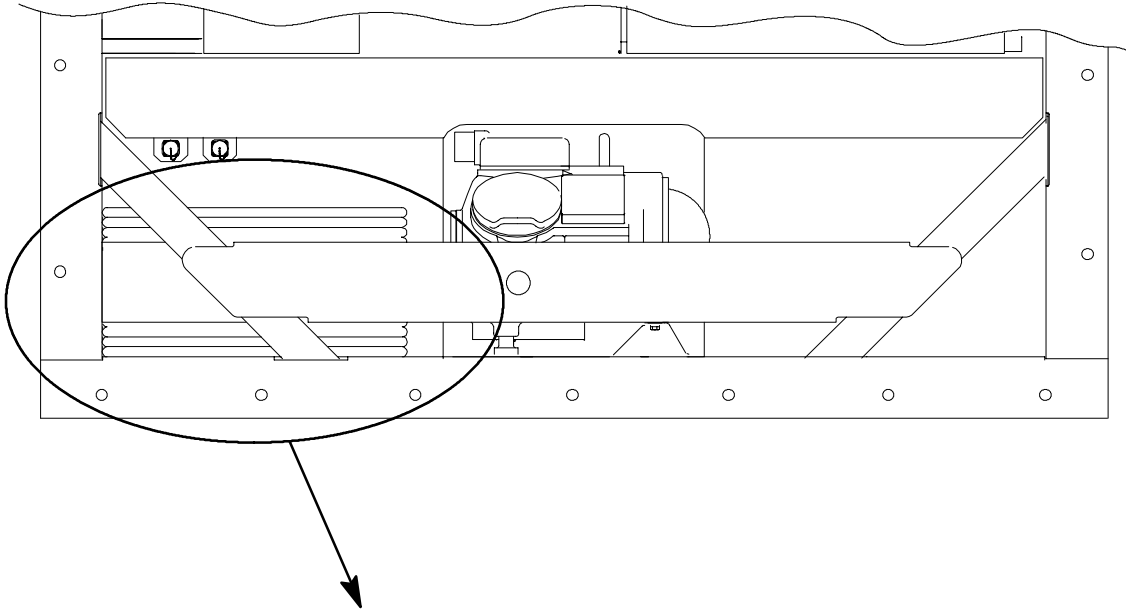
OPTION -- Center Cylinder Head View without Gauges



OPTION T - Center Cylinder Head View with Pressure Transducers

2.29 COMPRESSOR GAUGES AND TRANSDUCERS			
Item	Part Number	Description	Qty
OPTION G - PRESSURE GAUGES			
1	69NT41-106-2	Stiffener Assembly	1
NS	66U1-5321-8	Washer, Flat, #10 - SST	2
NS	66U1-5371-6	Screw, Hex Head, #10-24 x 3/4 lg. - SST	2
NS	34-06053-05	Washer, Mylar, 0.205 ID x 0.600 OD	2
2	68-13472-03SV	Bracket Assembly, Gauge	1
3	12-01124-02	Gauge, Suction Pressure	1
4	12-01125-02	Gauge, Discharge Pressure	1
5	66U1-6651-19	Screw, Pan Head, #6-32 x 7/16 lg. - SST	6
6	06DA403-844	Valve Assembly, Core, Check (Schrader Valve) - Brass	2
7	12-00309-03	Switch, High Pressure (HPS)	1
NS	22-02392-00SV	Connector, Female, 2 Pin Used w/12-00309-03 (Includes terminals & cable seal)	1
8	14-01093-00	Snubber Assembly	2
9	69NT41-553	Tube Assembly, Low Pressure	1
10	69NT41-543	Tube Assembly, High Pressure	1
11	CA21JA051	Tee, 1/4 npt	1
12	40-00060-02	Elbow, 90 Street, 1/4 FPT x 1/4 MPT - Brass	1
OPTION T - PRESSURE TRANSDUCERS			
13	12-00352-00	Transducer, Pressure	2
14	06DA403-844	Valve Assembly, Core, Check (Schrader Valve) - Brass	2
15	12-00309-03	Switch, High Pressure (HPS)	1
NS	22-02392-00SV	Connector, Female, 2 Pin Used w/12-00309-03 (Includes terminals & cable seal)	1
16	14-01093-00	Snubber Assembly	2
17	40-00060-02	Elbow, 90 Street, 1/4 FPT x 1/4 MPT - Brass	1
OPTION SG - SUCTION PRESSURE GAUGE ONLY			
18	69NT41-106-2	Stiffener Assembly	1
NS	66U1-5321-8	Washer, Flat, #10 - SST	2
NS	66U1-5371-6	Screw, Hex Head, #10-24 x 3/4 lg. - SST	2
NS	34-06053-05	Washer, Mylar, 0.205 ID x 0.600 OD	2
19	69NT43-466-4	Bracket Assembly, Gauge	1
20	12-01124-02	Gauge, Suction Pressure	1
21	66U1-6651-19	Screw, Pan Head, #6-32 x 7/16 lg. - SST	3
22	12-00309-03	Switch, High Pressure (HPS)	1
NS	22-02392-00SV	Connector, Female, 2 Pin Used w/12-00309-03 (Includes terminals & cable seal)	1
23	14-01093-00	Snubber Assembly	2
24	06DA403-844	Valve Assembly, Core, Check (Schrader Valve) - Brass	2
25	69NT41-553	Tube Assembly, Low Pressure	1
26	40-00060-02	Elbow, 90 Street, 1/4 FPT x 1/4 MPT - Brass	1
OPTION - NO GAUGES			
27	40-00123-02	Plug, Pipe, 1/4-18 NPTF - Brass	1
28	14-01093-00	Snubber Assembly	2
29	12-00309-03	Switch, High Pressure (HPS)	1
NS	22-02392-00SV	Connector, Female, 2 Pin Used w/12-00309-03 (Includes terminals & cable seal)	1

2.30 CABLE RESTRAINT COMPONENTS

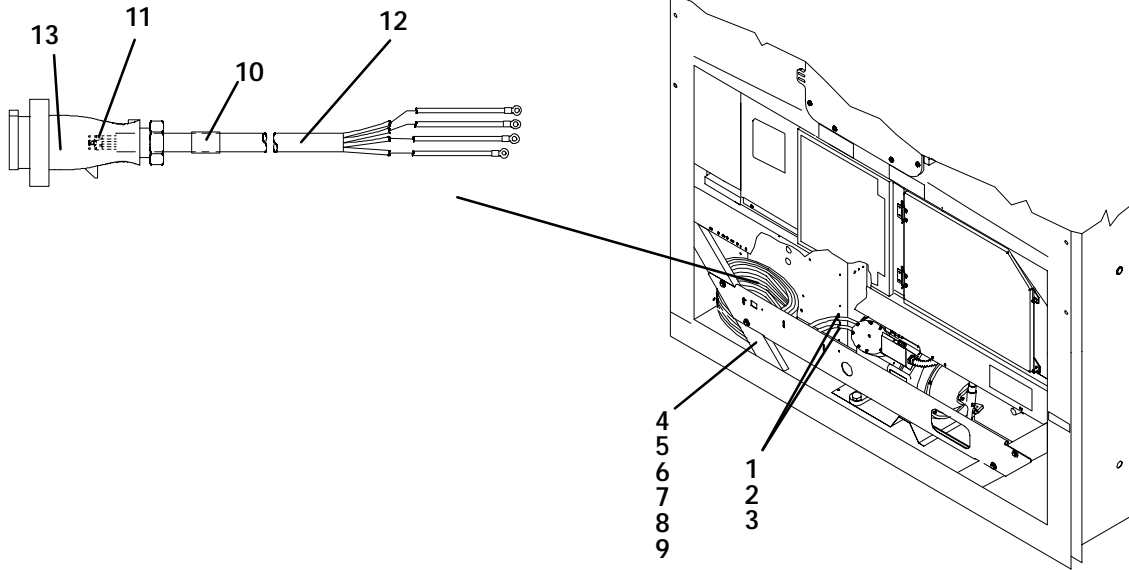


OPTION 1 -- CABLE DOOR

2.30 CABLE RESTRAINT COMPONENTS

Item	Part Number	Description	Qty
OPTION 1 - CABLE DOOR			
1	69NT41-724-4	Cover Assembly w/Latch, Cable Storage - Includes:	1
2	34-06126-08	Screw, Hex Head, #4-40 x 1/2 lg. - SST	2
3	34-00662-05	Washer, Flat, #4 -SST	4
4	34-00667-05	Locknut, Hex Head, #4-40	2
5	34-06053-08	Washer, Mylar, 1/8 ID x 3/8 OD	2
6	44-00340-03	Latch	1
7	69NT35-8032	Hinge	2
8	66U1-2403	Screw, Truss Head, #10-24 x 1/2 lg. - SST	4
9	66U1-5321-8	Washer, Flat, #10	4
10	34-00667-09	Locknut, Hex Head, #10-24 - SST	4
11	34-06053-05	Washer, Mylar, 3/16 ID x 5/8 OD	4
12	58-04001-02	Protector, Mylar	2
13	58-04001-01	Protector, Mylar	1
14	34-06053-05	Washer, Mylar, 3/16 ID x 5/8 OD	2
15	34-01167-01	Retainer, Nut	1
16	66U1-2403	Screw, Truss Head, #10-24 x 1/2 lg. - SST	2
17	66U1-5321-8	Washer, Flat, #10 - SST	2
18	66U1-5331-3	Washer, Lock, #10 - SST	4
19	44-00340-05	Latch, Catch	1

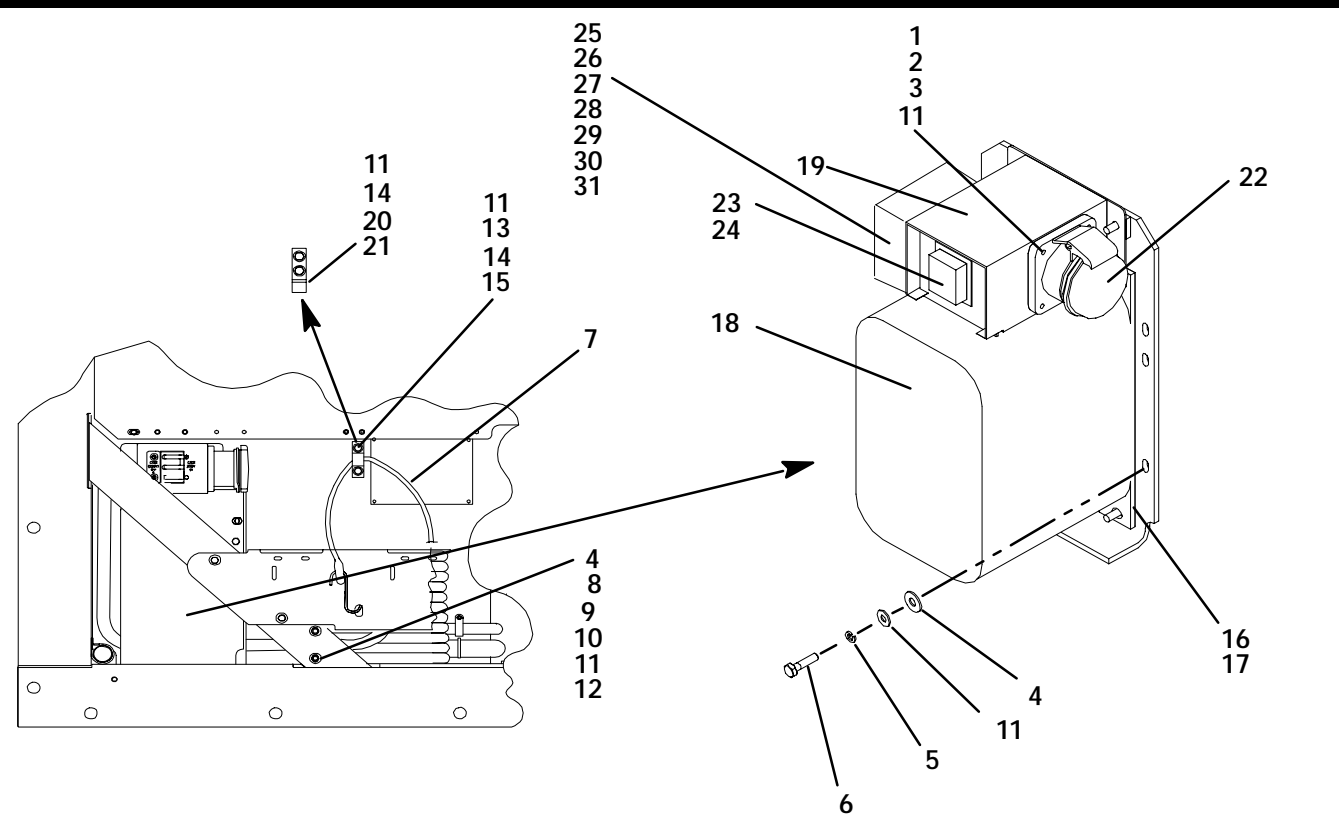
2.31 VOLTAGE CABLES



Item	Part Number	Description	Qty
CLAMPS ON BACK WALL AND CABLE CUTTERS			
1	34-00373-56	Clamp, Tube, Cushioned, 9/16 Diameter (Used with Transicord)	A/R
	34-00373-59	Clamp, Tube, Cushioned, 3/4 Diameter	A/R
2	66U1-5381-1	Screw, Hex Head, #10-24 x 3/4 lg. - SST	A/R
3	34-06053-03	Washer, Mylar, 1/4 ID x 1.00 OD	A/R
4	69NT35-6412-2	Clamp, Cable Cutter, 8 AWG cable	1
	69NT35-6412	Clamp, Cable Cutter, 10 AWG cable	1
	69NT35-6412-1	Clamp, Cable Cutter, 11 AWG cable	1
5	58-04026-07	Protector, Mylar	A/R
6	66U1-5361-11	Screw, Machined Hex Head, 1/4-20 x 1-1/2 lg. - SST	A/R
7	34-00667-11	Locknut, Hex Head, 1/4-20 - SST	A/R
8	66U1-5321-7	Washer, Flat, 1/4 - SST	A/R
9	34-06053-03	Washer, Mylar, 0.25 I.D. x 1.00 O. D.	A/R
STANDARD PARTS FOR ALL 460V CABLES			
10	66U1-2583	Heat Shrink Tube (Coil Label) - "460V"	1
11	22-02324-01	Bushing (Used with Standard Cable)	4
	22-02324-05	Bushing (Used with Transicord)	4
OPTION 1 460V CABLES			
12	66U1-9782	Cable, Power - Yellow, 10/4	A/R
13	22-02378-00	Plug, Power	1
OPTION 2 460V CABLES			
12	22-01551-00	Cable, Power - Yellow, 33 amp, 11 AWG	A/R
13	22-01891-00	Plug, Power	1
OPTION 3 460V CABLES			
12	66U1-9782	Cable, Power - Yellow, 10/4	A/R
13	22-01891-00	Plug, Power	1
OPTION 4 460V CABLES			
12	22-01551-00	Cable, Power - Yellow, 33 amp, 11 AWG	A/R
13	22-01891-01	Plug, Power	1

2.31 VOLTAGE CABLES (Continued)			
Item	Part Number	Description	Qty
OPTION 5 460V CABLES			
12	22-01551-00	Cable, Power - Yellow, 33 amp, 11 AWG	A/R
13	22-01883-00	Plug, Power	1
OPTION 6 460V CABLES			
12	22-01551-00	Cable, Power - Yellow, 33 amp, 11 AWG	A/R
13	22-01891-00	Plug, Power	1
OPTION 7 460V CABLES			
12	66U1-9782	Cable, Power - Yellow, 10/4	A/R
13	22-01891-00	Plug, Power	1
OPTION 8 460V CABLES			
12	66U1-9782	Cable, Power - Yellow, 10/4	A/R
13	22-01932-00	Plug, Power	1
OPTION 9 460V CABLES			
12	66U1-9782	Cable, Power - Yellow, 10/4	A/R
13	22-02232-00	Plug, Power	1
STANDARD PARTS FOR ALL 230V CABLES			
10	66U1-2583-1	Heat Shrink Tube (Coil Label) - "230V"	1
11	22-02324-02	Bushing (Used with 8 AWG)	4
12	66U1-9782-1	Cable, Power - Black, 35 amps, 8 AWG	A/R
OPTION 1			
13	22-02188-00	Plug, Power	1
OPTION 2			
13	22-02375-00	Plug, Power	1
OPTION 3			
13	66U1-6782-3	Plug, Power	1
OPTION 4			
13	22-01744-00	Plug, Power	1
OPTION 5			
13	22-02322-00	Plug, Power	1
OPTION 6			
13	22-01884-00	Plug, Power	1
OPTION 7			
13	66U1-6782	Plug, Power	1
OPTION 8			
13	22-01931-00	Plug, Power	1
OPTION 9			
13	22-01906-00	Plug, Power	1

2.32 AUTOTRANSFORMER KIT

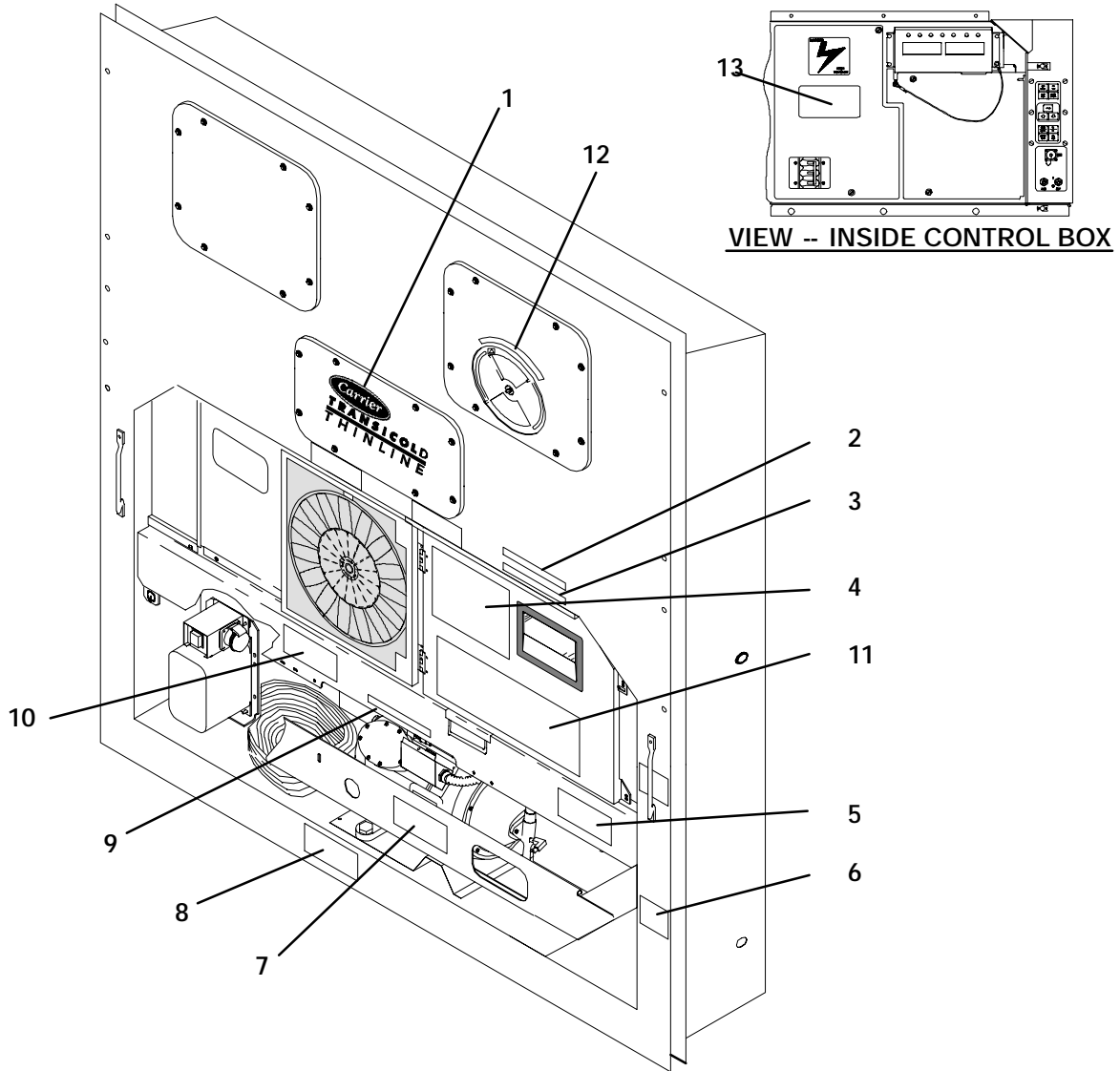


Item	Part Number	Description	Qty
STANDARD PARTS INCLUDED IN EVERY 76-00670 SERVICE KIT			
-	76-00670	Standard Parts Include:	1
1	66U1-5371-7	Screw, Hex Head, #10-24 x 1/2 lg. - SST	4
2	66U1-5321-8	Washer, Flat, #10 - SST	4
3	34-06053-05	Washer, Mylar, 0.205 ID x 0.600 OD	4
4	34-06053-00	Washer, Mylar, 0.250 ID x 0.800 OD	5
5	AU11JR171	Washer, Lock, 1/4 - SST	5
6	AA06JA170	Screw, Hex Head, 1/4-20 x 1.00 lg.	5
7	66U1-2603	Strap, Tie Down	1
8	69NT35-6412-2	Clamp, Cable Cutter, 8 AWG cable	1
	69NT35-6412	Clamp, Cable Cutter, 10 AWG cable	1
	69NT35-6412-1	Clamp, Cable Cutter, 11 AWG cable	1
9	58-04026-07	Protector, Mylar	1
10	66U1-5361-11	Screw, Machined Hex Head, 1/4-20 x 1-1/2 lg. - SST	2
11	66U1-5321-7	Washer, Flat, 1/4 - SST	A/R
12	34-00667-11	Locknut, Hex Head, 1/4-20 - SST	2
13	69NT35-5992	Clamp, Tie Down Strap	1
14	66U1-5361-25	Bolt, Hex Head, 1/4-20 x 3/4 lg. - SST	A/R
15	34-06053-03	Washer, Mylar, 0.25 ID x 1.00 O.D.	2
16	69NT43-374	Bracket Assembly	1
17	58-04026-17	Protector, Mylar	1

2.32 AUTOTRANSFORMER KIT (Continued)

Item	Part Number	Description	Qty
OPTION 1 - AUTOTRANSFORMER			
See Previous Page for Standard Parts Included in the Kit and use with Items Below			
-	76-00670-02	Transformer Kit, Field Installation, without CB2 - Includes:	1
18	10-01139-04	Transformer, Dual Voltage Modular	1
NS	22-01778-00	Terminal Block - Used only without CB2	1
19	69NT43-470-1	Box Assembly	1
20	69NT35-8382	Clamp, Tie Down Strap	1
21	58-04026-22	Protector, Mylar	1
OPTION 2 - AUTOTRANSFORMER WITH CB2 AND RECEPTACLE			
See Previous Page for Standard Parts Included in the Kit and use with Items Below			
-	76-00670-01	Transformer Kit, Field Installation, with CB2 - Includes:	1
18	10-01139-04	Transformer, Dual Voltage Modular	1
19	69NT43-470	Box Assembly - Used only with CB2	1
22	22-01679-00	Receptacle, 32 Amp	1
	22-01679-01	Receptacle, w/ Screw Cap - 32 Amp, Alternate, SOLD SEPARATELY	1
20	69NT35-8382	Clamp, Tie Down Strap	1
21	58-04026-22	Protector, Mylar	1
-	76-00667-05	Circuit Breaker Kit, Field Installation - Includes:	1
23	10-00083-05	Circuit Breaker, 70 amp - 250 vac, 50/60 hz	1
24	66U2-1531	Boot - Includes:	1
NS	NSS	Frame	1
NS	NSS	Screw, Self Sealing, #6-32 x 3/8 lg. - SST	6
OPTION 3 - AUTOTRANSFORMER WITH CB2 AND BRIDGING UNIT			
See Previous Page for Standard Parts Included in the Kit and use with Items Below			
-	76-00670-03	Transformer Kit, Field Installation, with CB2 and TBU - Includes:	1
18	10-01139-04	Transformer, Dual Voltage Modular	1
19	69NT43-470-2	Box Assembly	1
20	69NT35-8382	Clamp, Tie Down Strap	1
21	58-04026-22	Protector, Mylar	1
-	76-00667-05	Circuit Breaker Kit, Field Installation - Includes:	1
23	10-00083-05	Circuit Breaker, 70 amp - 250 vac, 50/60 hz	1
24	66U2-1531	Boot - Includes:	1
NS	NSS	Frame	1
NS	NSS	Screw, Self Sealing, #6-32 x 3/8 lg. - SST	6
25	12-00474-00	Bridge Unit, Transformer	1
26	42-00470-00	Gasket, Transformer Bridge Unit	1
27	34-06221-00	Screw, Hex Head, #10-24 x 2.50 lg. - SST	2
28	34-00667-09	Locknut, Hex Head, #10-24 - SST	2
29	66U1-5321-8	Washer, Flat #10 - SST	2
30	34-06053-05	Washer, Mylar 0.205 I.D. x 0.600 O.D.	2
31	22-02324-01	Bushing, 0.142 I.D. x 0.472 O.D.	3
OPTION 4 - AUTOTRANSFORMER WITH CB2 AND RECEPTACLE			
See Previous Page for Standard Parts Included in the Kit and use with Items Below			
-	76-00670-04	Transformer Kit, Field Installation, with CB2 - Includes: Everything in kit 76-00670-01 except replace Item #22 with below	1
22	22-01734-01	Receptacle, 32 Amp	1

2.33 LABELS AND DECALS

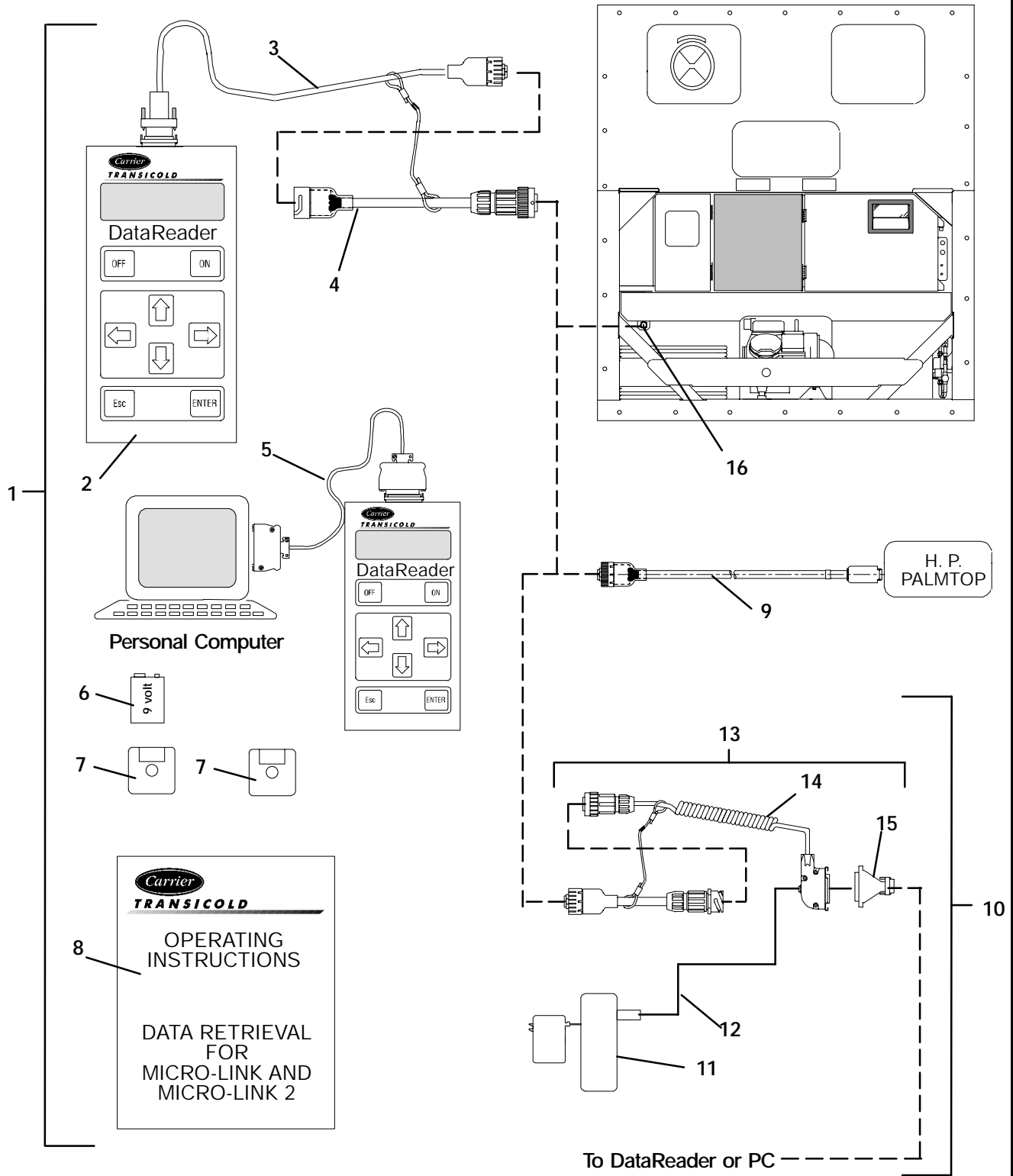


2.33 LABELS AND DECALS (Not Applicable to All Units)

Item	Part Number	Description	Qty
STANDARD LABELS			
1	62-10769-00	Decal, Carrier Transicold Thinline	1
2	69NT35-3867	Label, Economy Mode	1
3	69NT35-3907	Label, Humidity Control Sensor	1
4	62-02721-00	Label, Function Code - <i>English</i>	1
5	62-02562-00	Label, Micro-Link 2i with USDA	1
	62-02562-01	Label, Micro-Link 2i	1
6	62-02444-01	Label, Charge with R-134a	1
7	62-02530-00	Label, R-134a - Ozone Protection - <i>English</i>	1
	62-02530-01	Label, R-134a - Ozone Protection, Umbrella Only - <i>English</i>	1
8	62-02458-00	Label, POE Compressor Oil	1
9	69NT35-8218	Label, Equipped w/Crankcase Heater (CCH)	1
10	62-02785-00	Label, CE	1
OPTION 1 - ENGLISH			
11	62-02720-00	Label, Operating Instructions (Partlow w/ Return Air)	1
11	62-02743-14	Label, Operating Instructions (Partlow w/ Supply Air)	1
11	62-02743-16	Label, Operating Instructions (Electronic Partlow w/ Supply & Return Air)	1
11	62-02743-12	Label, Operating Instructions (Saginomiya w/ Supply Air)	1
11	62-02743-13	Label, Operating Instructions (Saginomiya w/ Return Air)	1
11	62-02743-18	Label, Operating Instructions (No Recorder)	1
12	62-02723-00	Label, Fresh Air Makeup - <i>English</i>	1
12	62-02723-03	Label, Fresh Air Makeup (w/ Full CMH) - <i>English</i>	1
12	62-02723-10	Label, Fresh Air Makeup (w/ Full CMH + CFM) - <i>English</i>	1
13	62-10532-00	Label, Welding Precautions - <i>English</i>	1

3 INTERROGATOR AND ACCESSORIES

3.1 DATAREADER



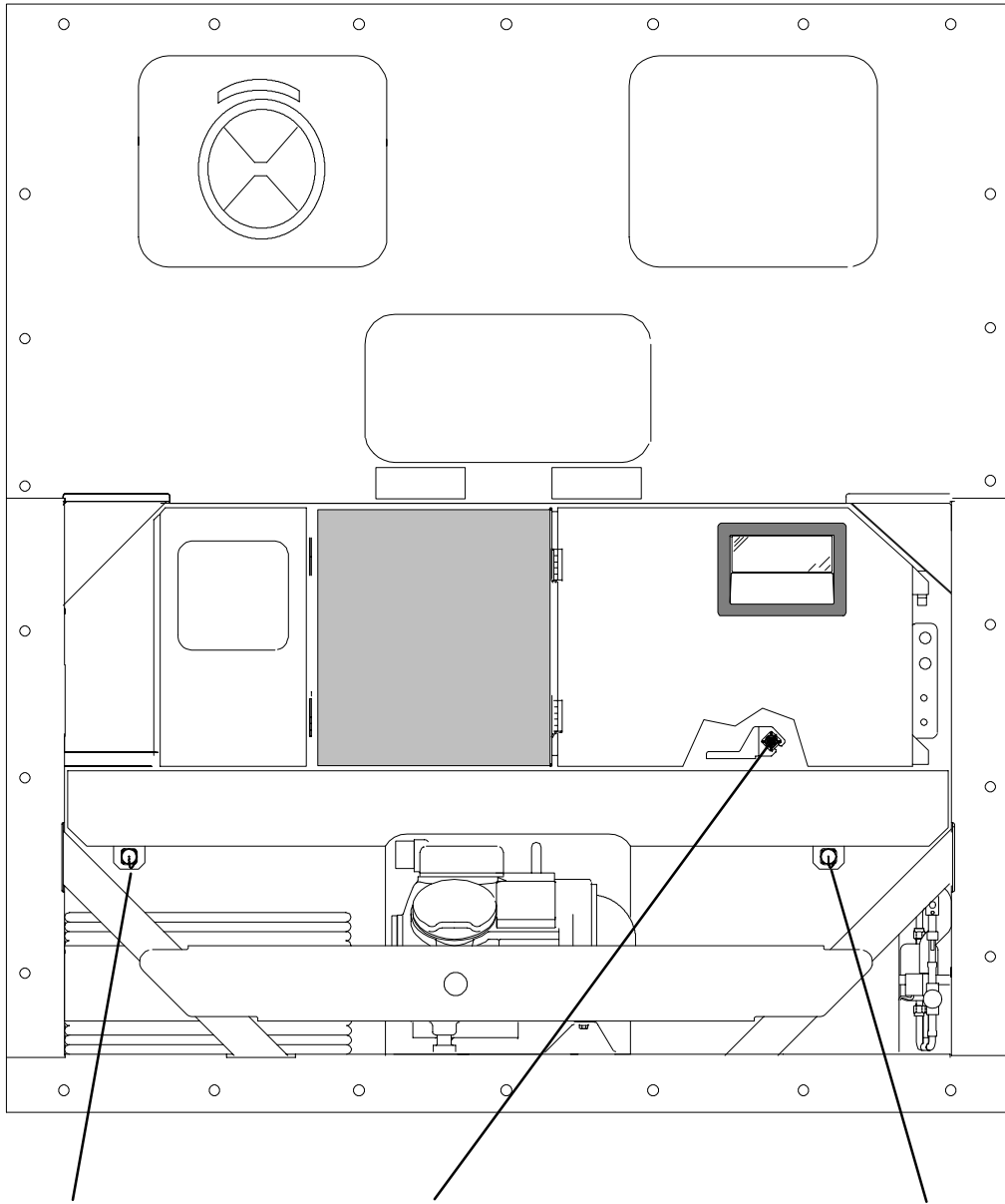
3.1 DATAREADER

Item	Part Number	Description	Qty
1	-	DataReader - Includes:	1
2	12-00377-01/2.5	DataReader NSS	1
3	22-01737-00	Cable, Download	1
4	22-01737-01	Cable, Adapter	1
5	22-01743-00	Cable, Upload	1
6	PL	Battery, Akaline - 9 Volt	1
-	07-00406-00	Disk Kit, DataView (DOS) (3.5 DS/HD Diskettes, Formatted) (SEE NOTE 10) - Includes:	1
7	12-00413-05SV	Software, DataView NSS	1
7	12-00528-00	Software, DataView (Scroll) NSS	1
8	62-02575-07	Manual, Operating Instructions	1
9	22-01737-02	Cable, H. P. Palmtop	1
10	76-50058-00	Kit, Battery, with Cable - Includes:	1
11	NSS	Battery, External, with Battery Charger	1
12	22-02401-00	Cable	1
13	76-50059-00	Kit, Cable, with Adapter - Includes:	1
14	22-02418-02	Cable, Interrogator	1
15	22-02420-00	Adapter	1
16	-	Receptacle - Refer to section 3.2	-

10. NOTE

Kit includes a 3.5 DS/HD Diskette, Formatted. If a DS/DD Diskette is required, contact a Customer Service Representative.

3.2 INTERROGATOR RECEPTACLE



OPTION 1, OPTION 4 & OPTION 5

- | | | |
|---|----|----|
| 1 | 9 | 13 |
| 2 | 10 | 14 |
| 3 | 11 | 15 |
| 4 | 12 | 16 |

OPTION 3

- | |
|---|
| 5 |
| 6 |
| 7 |
| 8 |

OPTION 2 & OPTION 6

- | | |
|---|----|
| 1 | 9 |
| 2 | 10 |
| 3 | 11 |
| 4 | 12 |

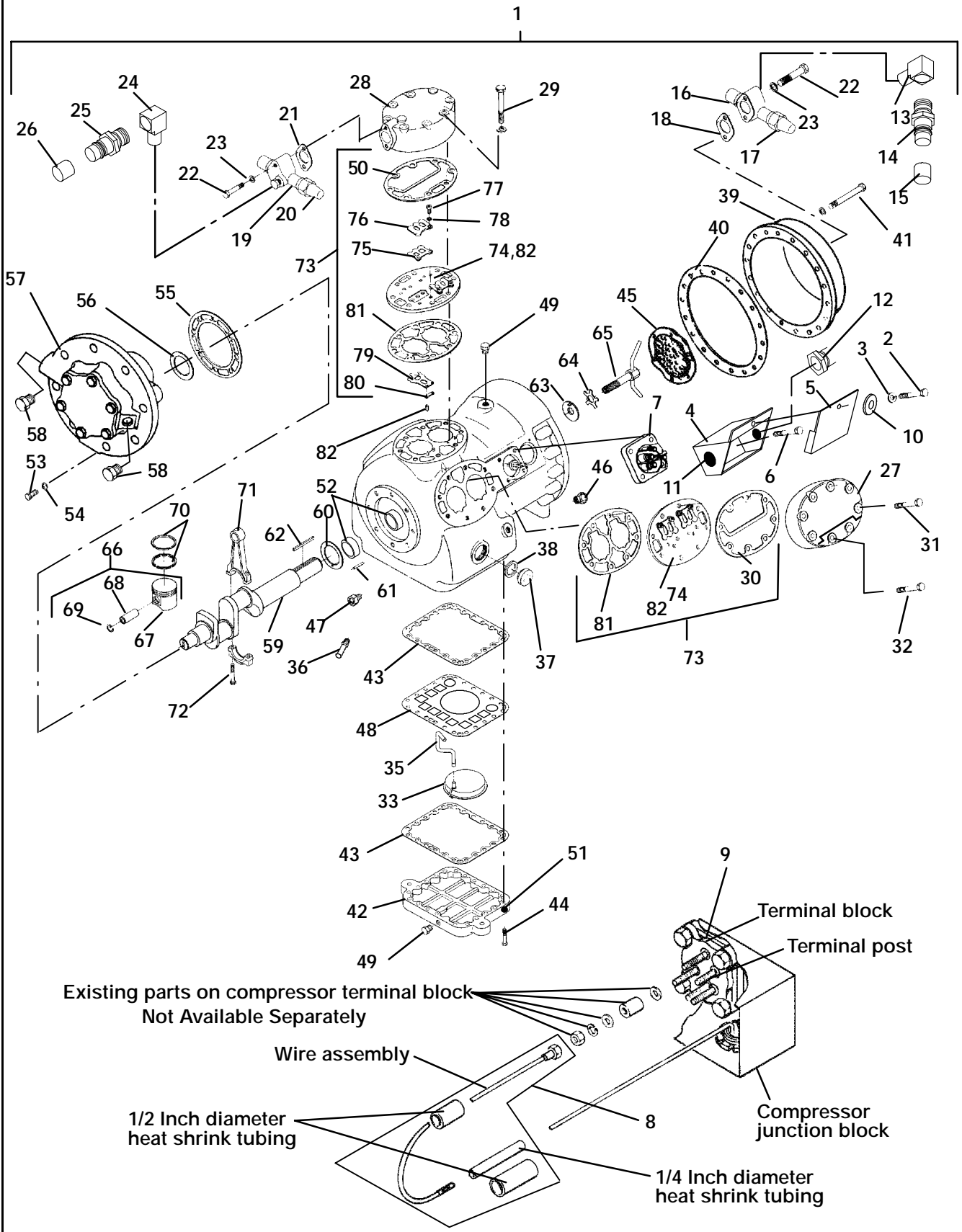
3.2 INTERROGATOR RECEPTACLE (see note 11)

Item	Part Number	Description	Qty
OPTION 1 - LEFT STRAIGHT MOUNT & OPTION 2 - RIGHT STRAIGHT MOUNT			
1	22-01660-03	Receptacle, Interrogator (ICR) (5 Pin)	1
2	22-01613-14	Contact, Pin, #16	5
3	69NT43-176	Cap, Dust, with Tether (5 Pin)	1
4	69NT41-192	Bracket, Interrogator Connector	1
OPTION 3 - BOX MOUNT			
5	22-01660-03	Receptacle, Interrogator (ICR) (5 Pin)	1
6	22-01613-14	Contact, Pin, #16	5
7	68-12434-02	Bracket, Interrogator Connector	1
8	42-00174-38	Gasket, Interrogator Connector Bracket	1
OPTION 4 - LEFT STRAIGHT MOUNT AND OPTION 6 - RIGHT STRAIGHT MOUNT			
9	22-02412-00	Receptacle, Interrogator (ICR) (5 Pin)	1
10	22-02412-02	Contact, Pin, #16	5
11	22-02413-00	Cap, Dust, with Tether (5 Pin)	1
12	69NT40-222	Bracket, Interrogator Connector	1
OPTION 5 - LEFT ANGLED MOUNT			
13	22-01660-03	Receptacle, Interrogator (ICR) (5 Pin)	1
14	22-01613-14	Contact, Pin, #16	5
15	69NT43-176	Cap, Dust, with Tether (5 Pin)	1
16	68-12553-00	Bracket, Interrogator Connector	1

11. NOTE

Do not mix silver and gold pins and sockets.

4 COMPRESSOR ASSEMBLY



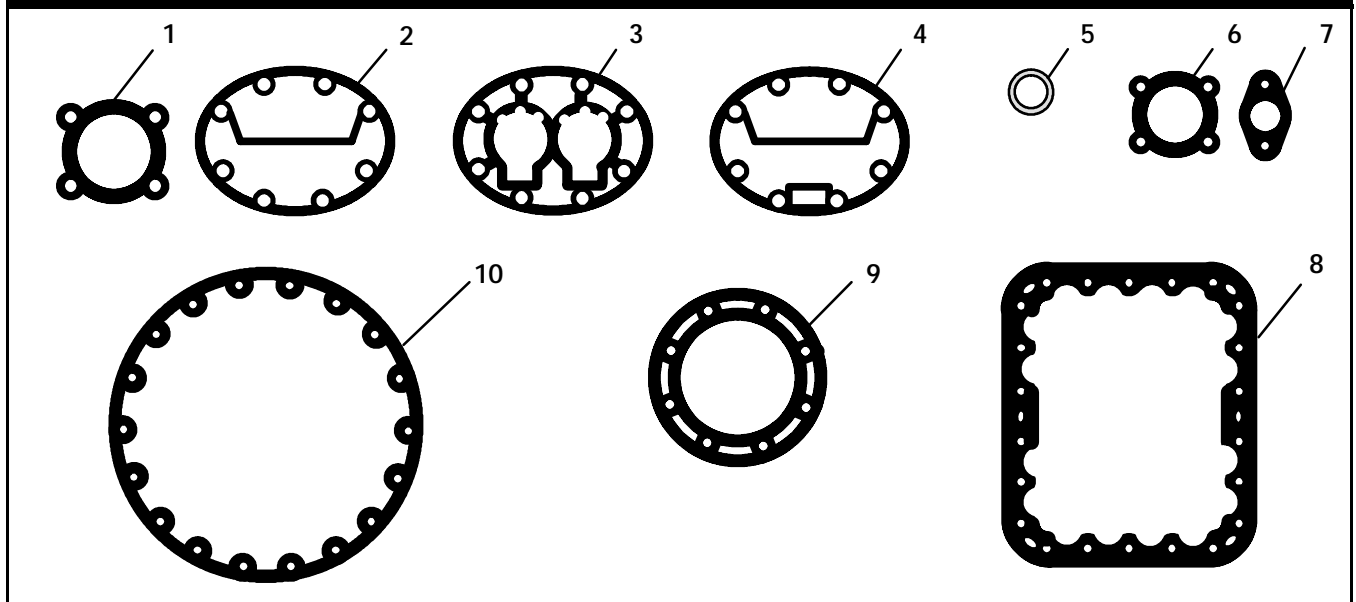
7 COMPRESSOR ASSEMBLY			
Item	Part Number	Description	Qty
OPTION 1R - SERVICE REPLACEMENT COMPRESSOR			
1	18-00055-20SV	Compressor, 41 CFM, Single Speed , 460 vac/3 ph/60 hz	1
NS	07-00292-00	SW20 Compressor Oil, Castrol Icematic (Quart)	4
NOTE			
Replacement Compressor is sold without terminal box and cover, and without shut-off valves. Customer should retain the original terminal box and valves for use on replacement compressor.			
TERMINAL MOUNTING AND JUNCTION BOX GROUP			
2	66U1-5371-7	Screw, Hex Head, #10-24 x 1/2 lg. (cover to box) - SST	2
3	66U1-5321-8	Washer, Flat, #10 (cover to box) - SST	2
4	69NT20-513-1SV	Box, Junction (Located on Front of Compressor) - Includes:	1
4	69NT20-513SV	Box, Junction (Located on Back of 230/460v Compressor) - Includes:	1
5	69NT20-2083	Cover, Junction Box	1
6	AD61JA124	Screw, Pan Head, #10-32 x 3/8 lg. (box to compressor)	4
7	17-40093-06	Terminal, Compressor (5 Terminals)	1
7	17-40093-05	Terminal, Compressor (6 Terminals)	1
8	76-00355-00	Kit, Compressor Terminal Wiring (Single Voltage)	1
NS	76-00384-00	Kit, Compressor Terminal Wiring (Dual Voltage or Single Voltage)	1
9	17-40075-05	Gasket, Terminal Plate - Fiber	1
	17-44128-00	Gasket, Terminal Plate - Coated Steel	1
10	34-06053-05	Washer, Mylar, 0.205 ID x 0.600 OD	2
11	66U1-5562-7	Plug, 1-1/4 Diameter - Plastic	A/R
12	22-02302-03	Connector, 3/4 Conduit	A/R
SERVICE VALVE GROUP			
13	40-00523-00	Elbow, M13 x M13 - Brass	1
14	40-00520-00	Coupling, M13 - Brass - Includes:	1
15	40-00520-02	Cap, Service Port	1
16	14-00206-00	Valve, Suction Shut-Off, 1-1/8 ODS	1
17	17-10812-00	Cap, Seal	1
18	17-10811-05	Gasket, Suction Service Valve	1
19	14-00206-01	Valve, Discharge Shut-Off, 7/8 ODS	1
20	17-10812-00	Cap, Seal	1
21	17-10811-05	Gasket, Discharge Service Valve	1
22	66U1-5361-46	Bolt, Hex Head, 5/16-18 x 1-7/8 lg. - SST	2
23	17-40013-00	Gasket, Bolt, 5/16	2
24	40-00523-01	Elbow, M15 x M15 - Brass	1
25	40-00520-01	Coupling, M15 - Brass - Includes:	1
26	40-00520-03	Cap, Service Port	1
COMPRESSOR - MOTOR BODY GROUP			
NS	-	Gasket Set (Refer to Section 7.1)	
27	17-21040-00	Head, Cylinder - Side Bank (Shaved Head)	2
28	17-40016-01	Head, Cylinder - Center Bank	1
29	17-40018-05	Screw, Hex Head - Center Head, 3/8-16 x 3.00 lg. - SAE Grade 5	8
30	17-44124-00	Gasket, Cylinder Head (Side Bank) - Coated Steel	3
31	17-40034-05	Screw, Hex Head, 3/8-16 x 2.00 lg. - SAE Grade 5	12
32	17-40037-05	Screw, Hex Head, 3/8-16 x 1.00 lg. - SAE Grade 5	4
33	17-40020-00	Screen Assembly, Oil Filter	1

COMPRESSOR - MOTOR BODY GROUP (Continued)			
Item	Part Number	Description	Qty
34	17-40007-00	Gasket, Bolt, 1/2	4
35	17-21062-00	Tube, Oil Suction	1
36	40-00535-00	Orifice, Oil Relief	1
37	17-21201-00SV	Sight Glass Package, Oil Level - Includes:	1
38	17-44021-00	Gasket, Sight Glass - Coated Steel	1
39	17-20004-00	Cover, Motor End	1
40	17-40029-05	Gasket, Motor End Cover - Fiber	1
40	17-44136-00	Gasket, Motor End Cover - Coated Steel	1
41	PL	Screw, Hex Head, 7/16-14 x 1-1/4 lg. - SAE Grade 5	18
42	17-40032-00	Plate, Bottom	1
43	17-40033-05	Gasket, Bottom Plate - Fiber	2
43	17-44129-00	Gasket, Bottom Plate - Coated Steel	2
44	17-40034-05	Screw, Hex Head, 3/8-16 x 2.00 lg. - SAE Grade 5	22
45	17-20005-00	Strainer Assembly, Suction	1
46	PL	Plug, Pipe, Oil Fill, 1/4	1
47	17-40042-00	Check Valve Assembly, Oil Return	1
48	17-21063-00	Plate, Screen Hold Down	1
49	PL	Pipe Plug (High & Low Pressure Connection and Oil Drain), 1/4-18 NPT	3
50	17-44123-00	Gasket, Cylinder Head (Center Bank)	1
51	-	Heater, Crankcase - See section 2.28	1
52	17-40025-00	Bushing, Motor End	2
PUMP END GROUP			
53	17-40037-05	Screw, Hex Head, Bearing Head, 3/8-16 x 1.00 lg. - SAE Grade 5	8
54	17-40019-00	Gasket, Capscrew, 3/8	8
55	17-44022-00	Gasket, Cover Plate - Coated Steel	1
56	17-55009-01	Washer, Thrust	1
57	17-44137-00	Bearing Head & Low Profile Oil Pump Package - Includes:	1
58	17-44037-00	Plug, Oil Pump (Includes O ring)	2
CRANKSHAFT, ROD AND PISTON GROUP			
59	17-40411-00	Crankshaft	1
60	17-40050-00	Washer, Thrust	1
61	17-40048-00	Pin, Spiral, 5/32 Diameter x 5/8 lg.	2
62	34-01110-00	Key, Rotor Drive	1
63	17-21075-00	Washer, Rotor	1
64	17-21076-00	Washer, Star, Rotor, 5/8	1
65	17-21077-00	Tube Assembly, Equalizer	1
66	17-44115-01	Piston & Pin Pkg (Standard) - Includes:	6
66	17-44115-20	Piston & Pin Pkg (+0.020) - Includes:	A/R
67	NSS	Piston	1
68	17-40052-00	Pin, Piston	1
69	17-40053-00	Retainer, Piston Pin	2
70	17-40055-00	Ring, Compression (Standard)	12
70	17-55025-00	Ring, Compression (+0.020)	12
71	17-40056-02	Connecting Rod and Cap Assembly (Standard) - Includes:	6
71	17-55023-00	Connecting Rod and Cap Assembly (+0.010) - Includes:	6

CRANKSHAFT, ROD AND PISTON GROUP - Continued

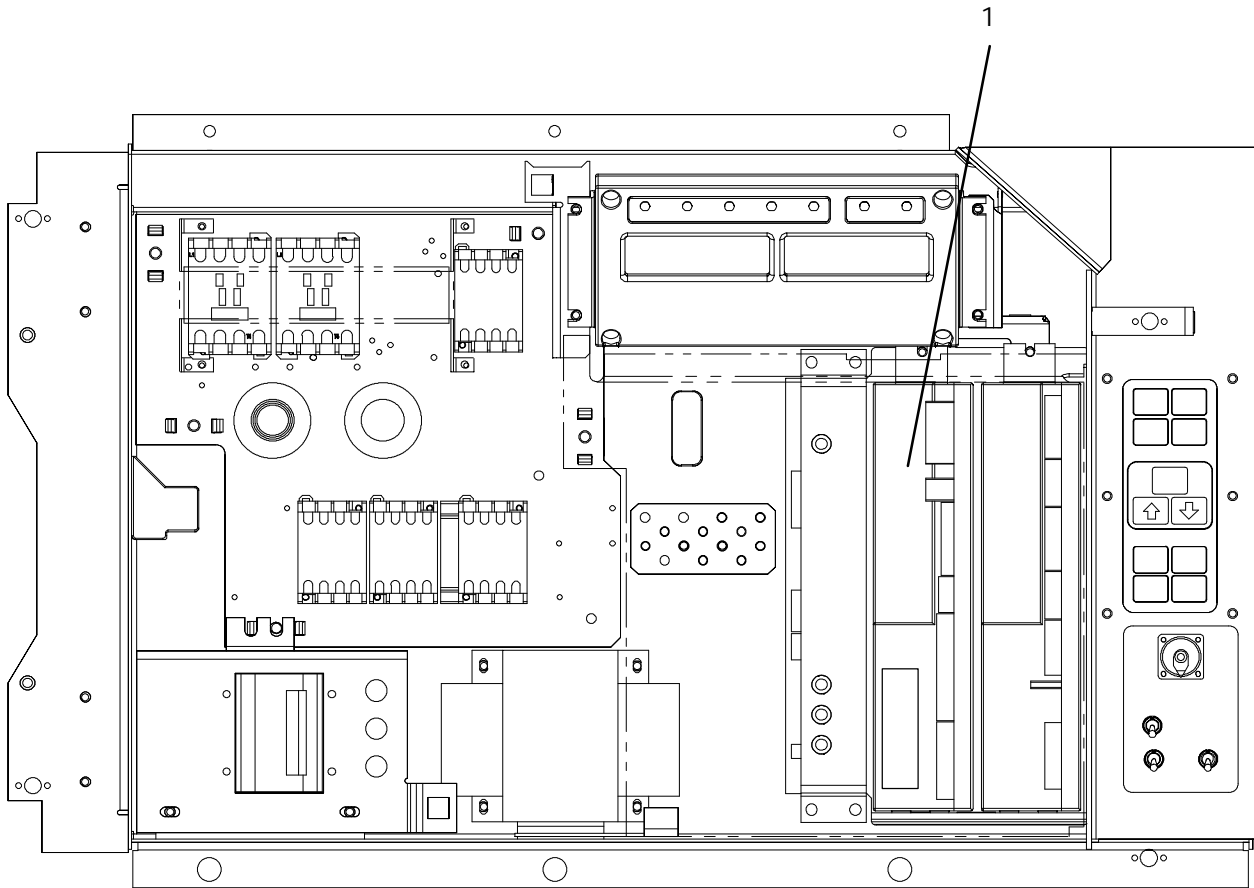
Item	Part Number	Description	Qty
NS	17-40057-00	Pin, Dowel	2
72	17-55008-00	Capscrew - Special (Epoxy Coated)	2
VALVE PLATE GROUP			
73	17-44109-00	Package, Valve Plate Assembly (All Banks - Canted) - Includes:	3
NS	NSS	Plate Assembly, Valve - Includes:	1
74	NSS	Plate, Valve	1
75	17-40086-00	Valve, Discharge	2
76	17-44160-00	Backer, Discharge Valve Stop	2
77	17-44113-00	Screw, Hex Head, 1/4-28 x 3/8 lg.	4
78	17-10715-00	Washer, Lock, 1/4	4
79	17-40082-00	Valve, Suction	2
80	17-40083-00	Spring, Suction Valve Positioning	2
30	17-44124-00	Gasket, Cylinder Head (Side Bank) - Coated Steel	1
50	17-44123-00	Gasket, Cylinder Head (Center Bank) - Coated Steel	1
81	17-55002-00	Gasket, Valve Plate	1
82	17-40057-00	Pin, Dowel (Valve Plate)	12

4.1 GASKET SET



Item	Part Number	Description	Qty
-	17-55020-21	Gasket Set - Includes:	1
1	17-40005-05	Gasket, Suction Service Valve (4 Bolt)	1
2	17-44124-00	Gasket, Cylinder Head - Side Bank (Standard)	2
3	17-55002-00	Gasket, Valve Plate	3
4	17-44123-00	Gasket, Cylinder Head - Center Bank	1
5	17-44021-00	Gasket, Sight Glass	2
6	17-40075-05	Gasket, Oil Pump Cover	2
7	17-10811-05	Gasket, Service Valve (2 Bolt)	2
8	17-40033-05	Gasket, Bottom Plate	2
9	17-44022-00	Gasket, Pump End Bearing Head	1
10	17-40029-05	Gasket, Motor End Cover	1

5 CONTROLLER/DATACORDER CONFIGURATION



Item	Part Number	Description	Qty
1	12-55003	Controller - Un-Configured (See Note 1)	1
	See Note 2	Controller - Configured (Refer to Manual T-300, Container Unit Matrix)	1
NOTES			
1	<p>1. The last four digits of the Part Number is the operation software revision.</p> <p>2. The Controller/DataCORDER module is shipped with the operational software already loaded, however, when ordering this part number the end user must load the configuration software at the time of installation.</p>		

6 TOOLS	
PART NO.	DESCRIPTION
07-00013-00	Temperature Tester (Simpson Meter)
07-00013-01	Temperature Test Lead (15 Foot)
07-00013-02	Temperature Test Lead (50 Foot)
07-00013-03	Adapter, Males (Both Ends) (Use with Temperature Tester)
07-00015-00	Case, Carrying (Used with 07-00013-00)
07-00219-00	Wrench, Compressor Sight Glass
07-00437-00	Inspection Light with Mirror
07-00228-00	Volt-Ohmmeter, Digital
07-00229-00	Amprobe Clamp (Used with 07-00228-00)
07-00238-00	Wrench, Service Valve
07-00243-10	Multimeter, Digital (Fluke)
07-00263-00	Pliers, Crimping (Used for compressor terminal block replacement)
07-00264-00	Grip, Wire Vise (Used for compressor terminal block replacement)
07-00277-00	Kit, Static Dissipative (Used for working on electronic components)
07-00304-00	Ground Strap, Wrist (Used for working on electronic components)
07-00294-00	Gauge Set, Manifold - Fahrenheit/PSI
07-00294-05	Gauge Set, Manifold - Centigrade/KPa
07-00295-00	Detector, Leak
07-00397-03	Extractor, Pin (Used on Fan Motor Plugs and Interrogator Plugs)
07-00397-02	Crimper, Pin (Used on Fan Motor Plugs and Interrogator Plugs)
07-00329-00	Extractor, Pin (Used on Controller module connectors)
07-00330-00	Crimper, Pin (Used on Controller module connectors)
07-00370-00	Crimper, Pin (Used on Stepper Valve, HPS)
07-00387-01	Extractor, Pin (Used on Stepper Valve, HPS)
07-00375-00	Tester, Portable, Stepper Motor Drive
07-00391-00	Application Gun (Used with 07-00390-00)
07-00398-00	Software Card Programmer
07-00408-00	Stepper Jumper Assembly
07-00418-00	Torx Driver Bit
Refer to Manual 62-03213	

PART NUMBER INDEX

PART NO.	PAGE NO.	PART NO.	PAGE NO.	PART NO.	PAGE NO.
02-00010-01	49	09-00119-00	43	12-00275-04SV	17
02-00082-00	9	09-00123-00	43	12-00275-17SV	17
04-50027-00	18	09-00128-00	43, 45, 47	12-00275-19SV	17
06DA403-844	25, 51	09-00128-01	43, 45, 47	12-00309-03	51
07-00013-00	69	09-00136-00	43	12-00342-03	27
07-00013-01	69	09-00137-00	43	12-00352-00	23, 25, 51
07-00013-02	69	09-00180-00	43	12-00370-00	35
07-00013-03	69	09-00180-01	43	12-00377-01	61
07-00015-00	69	09-00209-00	43	12-00395-01SV	26
07-00219-00	69	09-00222-00	43	12-00397-00/5120	15
07-00221-00	69	09-00236-00	43	12-00402-45	15
07-00228-00	69	09-00296-00	43	12-00413-05	61
07-00229-00	69	09-00297-00	43	12-00421-00	42
07-00238-00	69	09-00298-00	43	12-00421-01	42
07-00243-10	69	09-00302-00	43	12-00421-02	42
07-00263-00	69	09-00303-00	43	12-00421-03	42
07-00264-00	69	09-00322-00	45	12-00433-00RP	17
07-00277-00	69	09-00325-00	45	12-00464-05	47
07-00292-00	65	09-00326-00	45	12-00464-06	47
07-00294-00	69	09-00329-00	45	12-00474-00	57
07-00294-05	69	09-00362-00	45	12-00495-20	23, 25, 35
07-00295-00	69	09-00363-00	45	12-00528-00	61
07-00304-00	69	09-00364-00	45	12-01071-01SV	24
07-00313-00	1	09-00365-00	45	12-01094-00	45
07-00326-00	69	09-00367-00	45	12-01094-01	45
07-00327-00	69	09-00369-00SV	15	12-01095-00	45
07-00329-00	69	10-00083-05	57	12-01104-05	21
07-00330-00	69	10-00318-00	35	12-01105-02	21
07-00345-00	1	10-00332-21SV	11	12-01124-01	51
07-00370-00	69	10-00333-00	11	12-01124-02	51
07-00371-00	69	10-00333-01	11	12-01125-02	51
07-00375-00	69	10-00333-02	11	12-55003	68
07-00390-00	9	10-00366-01SV	11	14-00204-02	21
07-00391-00	9, 69	10-00388-00	21	14-00206-00	65
07-00398-00	69	10-00416-00	13	14-00206-01	65
07-00406-00	61	10-01129-07	11, 13	14-00212-03SV	23, 25
07-00408-00	69	10-01129-10	11	14-00212-21	23, 25
07-00418-00	69	10-01129-11	13	14-00215-03	24
09-00104-05	43	10-01129-20	13	14-00215-04	23
09-00114-00	43	10-01139-04	57	14-00220-00	24
09-00118-00	43	10-0298-01	13	14-00220-01	23

PART NUMBER INDEX

PART NO.	PAGE NO.	PART NO.	PAGE NO.	PART NO.	PAGE NO.
14-00221-01	23	17-40055-00	66	22-00121-27	49
14-00222-01	23	17-40056-02	66	22-00518-01	13
14-00263-00	21	17-40057-00	67	22-00519-03	13
14-00263-20	21	17-40075-05	65, 67	22-00595-01	1
14-00263-22	21	17-40082-00	67	22-01106-00	1
14-00263-23	21	17-40083-00	67	22-01107-00	1
14-00273-01	35	17-40086-00	67	22-01139-04	1
14-00284-02SV	23, 25	17-40093-05	65	22-01140-01	1
14-01032-14	23	17-40093-06	65	22-01140-02	1
14-01092-03	25	17-40411-00	66	22-01140-04	1
14-01093-00	51	17-44021-00	66, 67	22-01141-01	1
17-10715-00	67	17-44022-00	66, 67	22-01292-00	49
17-10811-05	65, 67	17-44037-00	66	22-01455-02	13
17-10812-00	65	17-44109-00	67	22-01551-00	54, 55
17-20004-00	66	17-44113-00	67	22-01556-00	17
17-20005-00	66	17-44115-01	66	22-01556-01	15
17-21002-01	25	17-44115-20	66	22-01556-02	15
17-21040-00	65	17-44123-00	66, 67	22-01566-00	21
17-21062-00	66	17-44124-00	65, 67	22-01566-01	21
17-21063-00	66	17-44128-00	65	22-01585-04	21
17-21075-00	66	17-44129-00	66	22-01613-14	27, 63
17-21076-00	66	17-44136-00	66	22-01613-15	27
17-21077-00	66	17-44137-00	66	22-01621-02	17
17-21201-00SV	66	17-44160-00	67	22-01621-03	17
17-40005-05	67	17-55002-00	67	22-01621-23	15
17-40007-00	66	17-55008-00	67	22-01622-00	15
17-40013-00	65	17-55009-01	66	22-01622-01	15
17-40016-01	65	17-55020-21	67	22-01622-02	15
17-40018-05	65	17-55023-00	66	22-01660-00	27
17-40019-00	66	17-55025-00	66	22-01660-03	27, 63
17-40020-00	65	18-00055-20SV	65	22-01660-04	27
17-40029-05	66, 67	22-00041-00	1	22-01660-08	27
17-40032-00	66	22-00041-02	1	22-01679-00	57
17-40033-05	66, 67	22-00049-01	13	22-01679-01	57
17-40034-05	65, 66	22-00066-01	1	22-01713-02	17
17-40037-05	65, 66	22-00066-02	1	22-01713-06	15
17-40042-00	66	22-00066-03	1	22-01731-00	54
17-40048-00	66	22-00119-04	1	22-01731-01	54
17-40050-00	66	22-00120-04	1	22-01734-01	57
17-40052-00	66	22-00120-07	1	22-01737-00	61
17-40053-00	66	22-00121-07	1	22-01737-01	61

PART NUMBER INDEX

PART NO.	PAGE NO.	PART NO.	PAGE NO.	PART NO.	PAGE NO.
22-01737-02	61	22-02396-03	17	34-00667-05	11, 53
22-01743-00	61	22-02398-02	27	34-00667-09	53, 57
22-01744-00	55	22-02398-03	27	34-00667-11	49, 54, 56
22-01777-00SV	15	22-02401-00	61	34-00667-12	18, 33
22-01777-01SV	15	22-02412-00	27, 63	34-00667-14	49
22-01777-03	15	22-02412-02	63	34-00792-10	33
22-01777-04	15	22-02413-00	27, 63	34-00795-09	43, 45, 47
22-01778-00	57	22-02418-02	61	34-00829-13	49
22-01835-00	21	22-02420-00	61	34-00848-10	11
22-01836-00	21	22-02448-00SV	23	34-00849-22	49
22-01883-00	55	22-50007 Series	1	34-00928-01	9, 11, 43, 45
22-01884-00	55	22-50087-00	33	34-00928-02	9, 37, 39, 41
22-01889-00	11	22-50088-00	33	34-00928-03	9, 37, 39, 41
22-01891-00	55	22-50088-02	18	34-00928-09	23, 25, 31, 37, 39, 41
22-01891-01	55	22-50100-00	15	34-01110-00	66
22-01906-00	55	22-50127-00	27	34-01142-01	9, 11, 43, 45
22-01931-00	55	22-50157-00	15	34-01150-03	39, 41
22-01932-00	55	24-00003-00	35	34-01150-06	39, 41
22-02188-00	55	24-00006-02	35	34-01150-30	39, 41
22-02232-00	55	24-02017-00	49	34-01150-31	39, 41
22-02243-00	43	30-00407-02SV	15	34-01152-02	9
22-02302-03	65	34-00373-05	1, 23	34-01167-01	7, 53
22-02322-00	55	34-00373-07	1, 23, 25	34-01178-22	35
22-02324-01	54, 57	34-00373-11	1, 21	34-01181-01, 18	
22-02324-02	55	34-00373-51	1	34-06053-00	7, 18, 21, 23, 25, 29, 31, 43, 45, 47, 49, 56
22-02324-05	54	34-00373-53	1	34-06053-01	49
22-02336-02	1, 13, 15	34-00373-54	23, 25	34-06053-02	18, 23, 25, 49
22-02336-04	1, 15	34-00373-56	54	34-06053-03	18, 19, 23, 25, 47, 49, 54, 56
22-02341-00	11	34-00373-59	1, 54	34-06053-05	7, 11, 13, 21, 23, 25, 47, 51, 53, 56, 57, 65
22-02341-01	11	34-00373-65	1	34-06053-07	49
22-02368-00	11	34-00373-67	1	34-06053-08	53
22-02370-00	45	34-00373-69	1	34-06053-13	43, 45, 47
22-02375-00	55	34-00373-71	1	34-06053-15	49
22-02378-00	54	34-00655-05	49	34-06053-18	31
22-02392-00SV	51	34-00655-08	11		
22-02392-03	21	34-00662-05	53		
22-02393-00	21	34-00662-11	29, 49		
22-02393-01	21	34-00663-07	11		
22-02394-02	21	34-00663-11	19		
22-02394-03	21	34-00665-08	49		
22-02396-02	17	34-00665-09	7		

PART NUMBER INDEX

PART NO.	PAGE NO.	PART NO.	PAGE NO.	PART NO.	PAGE NO.
34-06053-19	29	42-00270-00	7	58-04026-41	19
34-06092-00	31	42-00295-00	31	58-04101-00	7
34-06107-00	7	42-00295-01	31	58-04101-01	7
34-06126-08	53	42-00296-00	29	58-04101-07	19, 43, 45, 47
34-06139-03	9	42-00296-01	29	58-04145-00	11
34-06154-00	29	42-00327-00	29	58-04145-01	11
34-06169-00	7, 19, 43, 45, 47	42-00334-00	37, 39, 41	58-04145-06	13
34-06179-00	19, 43, 45 47	42-00407-00	29	58-04145-07	13
34-06179-04	43, 45, 47	42-00465-00	31	58-04145-09	13
34-06183-00	31	42-00470-00	57	58-04251-00	29
34-06185-01	29	42-01098-01	43, 45, 47	58-04263-01	31
34-06221-00	57	42-50000-00	24	58-04276-00	26
34-06223-00	13, 17	44-00300-01	7	58-04277-00SV	26
34-06227-00	11	44-00300-02	7	58-04278-00	26
34-06231-01	9	44-00300-03	7	58-04279-00	26
34-06231-03	9	44-00340-03	53	58-04316-00	49
34-06231-05	9	44-00340-05	53	58-04346-00	7
34-06231-06	9	44-00343-00	9	58-04366-00SV	7
34-06231-07	9	44-00370-03	49	58-04367-00	9
34-50015-00	9	44-00374-00	19, 43, 45, 47	58-04480-00	19
38-00125-00	33	44-01043-05	1	58-04481-00	19
38-00126-00	33	44-01043-07	1	58-50014-00	25
38-00503-00	18	54-00122-21	33	62-02444-01	59
40-00060-02	51	54-00513-02	33	62-02458-00	59
40-00086-04	25	54-00549-00	18	62-02530-01	59
40-00123-02	51	54-50044-00	33	62-02531-00	59
40-00501-50	23	58-00065-67	47	62-02562-00	59
40-00520-00	65	58-00065-70	47	62-02562-01	59
40-00520-01	23, 25, 65	58-00956-00	24	62-02575-07	61
40-00520-02	21, 65	58-00957-00	24	62-02719-00	15
40-00520-03	23, 25	58-00967-00	11	62-02720-00	59
40-00523-00	65	58-01184-00	15, 17	62-02721-00	59
40-00523-01	65	58-04001-01	53	62-02723-00	59
40-00535-00	66	58-04001-02	53	62-02723-03	59
40-00542-00	21	58-04026-07	54, 56	62-02723-10	59
40-00555-06	25	58-04026-10	19	62-02735-00	15
40-01129-00	24	58-04026-17	56	62-02738-05	15
42-00174-38	63	58-04026-22	57	62-02743-12	59
42-00233-01	31	58-04026-23	23	62-02743-13	59

PART NUMBER INDEX

PART NO.	PAGE NO.	PART NO.	PAGE NO.	PART NO.	PAGE NO.
62-02743-14	59	66U1-5321-8	7, 11, 13, 21, 35, 48, 49, 51, 53, 56, 57, 65	66U1-9212-1	17
62-02743-16	59			66U1-9752	11
62-02743-18	59			13	
62-02783-00	29	66U1-5331-3	7, 53	66U1-9782	54, 55
62-02785-00	59	66U1-5361	18	66U1-9782-1	55
62-02822-01	37	66U1-5361-11	49, 54, 56	66U2-1132-1	23
62-02874-00	13	66U1-5361-25	18, 19, 23, 25, 31, 35, 43, 45, 47, 49, 56	66U2-1142	24
62-02874-01	13			66U2-1152	24
62-02874-02	13			66U2-1531	57
62-03957-01	9	66U1-5361-46	65	68-12368-00	25
62-10259-00	59	66U1-5361-7	23, 25, 33, 49	68-12417-00	4
62-10532-00	59			68-12432-03	49
62-10557-00	5	66U1-5362-2	29	68-12434-02	63
65-00144-00	35	66U1-5371-10	11, 35	68-12496-00	10
65-00144-01	35	66U1-5371-6	13, 23, 25, 49, 51	68-12523-00	49
66CH1-1002-33	31	66U1-5371-7	7, 11, 15, 17, 26, 56, 65	68-12544-01	13
66CH1-1172-16	19			68-12553-00	63
66CH1-1172-46	11			68-12658-01	47
66U1-2403	9, 11, 37, 53	66U1-5381	10	68-12791-00	9
66U1-2403-1	7	66U1-5381-1	21, 54	68-12993-00	49
66U1-2552-185	29	66U1-5391-3	11	68-13181-00	35
66U1-2583	54	66U1-5562-7	65	68-13427-00SV	11
66U1-2583-1	55	66U1-6651-15	10	68-13454-02	19
66U1-2603	56	66U1-6651-19	51	68-13454-03	19
66U1-2763-5	24	66U1-6651-4	11	68-13472-03SV	51
66U1-2763-6	24	66U1-6782	55	68-13475-00	37, 39
66U1-3442-2	17	66U1-6782-3	55	68-13475-01	37, 39
66U1-3632-24	21	66U1-6811-12	19	68-13475-08	37, 39
66U1-3803	1, 23, 49	66U1-6811-15	7	68-13475-09	37, 39
66U1-3803-1	1, 35	66U1-6811-8	7, 19, 43, 45, 47	68-13576-00	49
66U1-3823	10			68-13577-00	7
66U1-3882	49	66U1-6835	11	68-13691-00	41
66U1-5321-13	29	66U1-6912-16	35	68-13729-06	41
66U1-5321-3	31	66U1-7472-1	1	68-13729-07	49
66U1-5321-5	23, 25, 33, 49	66U1-7842-13	11	68-14175-00	49
66U1-5321-6	11	66U1-7982-2	37	69NP20-1031	25
66U1-5321-7	18, 23, 25, 26, 31, 43, 45, 47, 49, 54, 56	66U1-8075	37, 39, 41	69NT20-2083	65
		66U1-8115	29	69NT20-513-1SV	65
		66U1-8552-2	25	69NT20-513SV	65
		66U1-8662	5	69NT35-1173	33
		66U1-8912	19		

PART NUMBER INDEX

PART NO.	PAGE NO.	PART NO.	PAGE NO.	PART NO.	PAGE NO.
69NT35-1287-1	31	69NT35-9238	31	69NT43-469	49
69NT35-1417	31	69NT40-222	11, 63	69NT43-470	57
69NT35-1662	33	69NT40-402-1	45	69NT43-470-1	57
69NT35-1662-1	33	69NT40-476	33	69NT43-470-2	57
69NT35-2257	37	69NT40-507-1	27	74-00201-01	29
69NT35-2287	9	69NT40-657-2	4	74-00201-02	29
69NT35-2692	15, 37	69NT40-976-3	31	76-00355-00	65
69NT35-2692-1	19, 31, 35, 43, 45, 47	69NT41-106-2	51	76-00384-00	65
69NT35-2692-4	17	69NT41-106-2SV	51	76-00397-00	1
69NT35-3282	39,41	69NT41-192	63	76-00667-05	57
69NT35-3547	18	69NT41-477	25	76-00670-01	57
69NT35-3867	59	69NT41-487	25	76-00670-02	57
69NT35-3907	59	69NT41-497	25	76-00670-03	57
69NT35-3987	4	69NT41-543	51	76-00670-04	57
69NT35-3997-1	4	69NT41-553	51	76-00675-01	35
69NT35-4047	31	69NT41-702	21	76-00676-00	27
69NT35-5022-5	43, 45, 47	69NT41-724-4	53	76-00677-00	25
69NT35-5352-1	43, 45, 47	69NT41-782	31	76-00684-00	27
69NT35-5992	56	69NT41-852-1	31	76-00701-00	42
69NT35-6112	18	69NT41-942-3	37	76-00701-01	42
69NT35-6132	49	69NT41-942-4	39	76-00701-02	45
69NT35-6272	9	69NT41-942-5	41	76-00701-03	45
69NT35-6278	11	69NT41-982-3	11	76-00701-04	42
69NT35-6412	54, 56	69NT41-992	27	76-00701-05	43, 45, 47
69NT35-6412-1	54, 56	69NT42-688-7	7	76-00701-06SV	45, 47
69NT35-6412-2	54, 56	69NT42-914	24	76-00701-10SV	47
69NT35-6522	35	69NT42-914-1	24	76-00701-11SV	47
69NT35-6532	35	69NT43-124-2	9	76-00701-12	42
69NT35-6598	41	69NT43-125-1	9	76-00704-01	19
69NT35-6598-1	41	69NT43-148-2	19	76-00724-00SV	9
69NT35-7012	31	69NT43-148-4	19	76-50058-00	61
69NT35-8032	53	69NT43-175	27	76-50059-00	61
69NT35-8113	4	69NT43-176	27, 63	76-50075-00	19
69NT35-8218	59	69NT43-202-10SV	19	76-50084-00SV	9
69NT35-8348	31	69NT43-277	23	76-50094-00	49
69NT35-8382	57	69NT43-307	31	79-01694-00	29
69NT35-8548	4	69NT43-374	56	79-01695-00	29
69NT35-8693-10	19	69NT43-403-2	23	79-01697-06SV	29
69NT35-8693-7	19	69NT43-420	23, 25	79-01697-07SV	29
69NT35-8703	19	69NT43-464-37	39, 41		
		69NT43-466-4	51		

PART NUMBER INDEX

PART NO.	PAGE NO.	PART NO.	PAGE NO.	PART NO.	PAGE NO.
79-01706-03SV	11	A		C	
79-01757-00	24				
81-01549-00	35	AA06JA166	35	CA21JA051	51
81-01575-00SV	19	AA06JA170	56		
86-04217-00	43	AA06JA232	49	D	
86-04237-00	9	AD61JA124	65	DE40BA203	23, 25
		AU11JR171	35, 56		
		AU11JR241	23, 25, 33 49	E	
				EC39DM062	23