



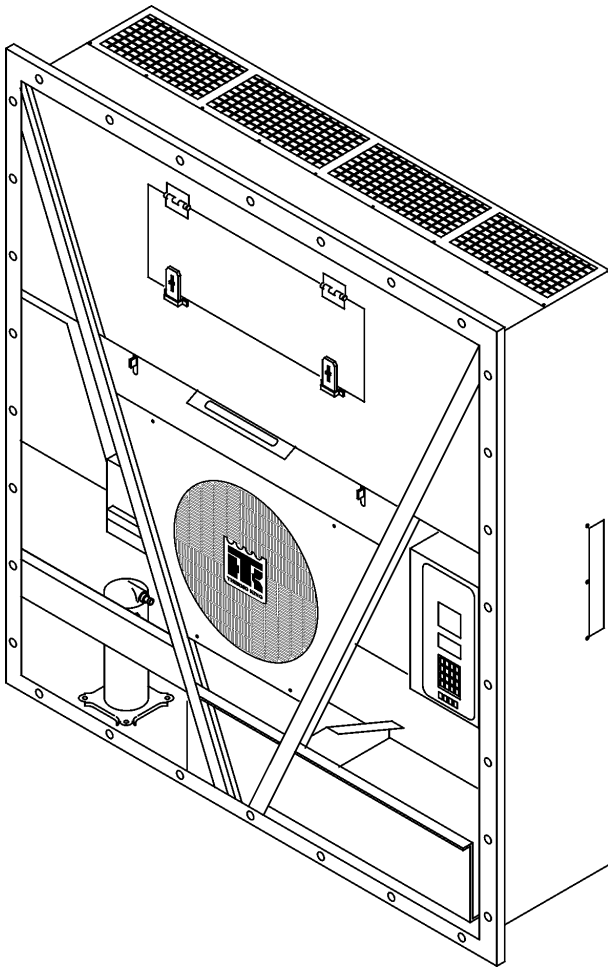
Parts Manual

MAGNUM PLUS

TK 54356-4-PM (Rev. 1.4)

MAGNUM PLUS

TK 54356-1.4



Printed (December 20, 2012)

Copyright © 2009 - Thermo King Corp. - Minneapolis, MN U.S.A.
Electronically printed in U.S.A.

General Information

Tables of Contents

This Parts Manual contains a numerical table of contents listing each assembly name, its associated Grid number and page number. The numerical table of contents is arranged numerically by Grid number. There are references in a parts list referring to other Grid numbers, the numerical table of contents is arranged to facilitate finding the referenced illustrations. At the rear of this parts manual are two indexes, a numerical and alphabetical. The indexes contain all of the part numbers and descriptions which appear in this manual.

Assemblies and Subassemblies

When parts are indented in the description list, they are preceded with a bullet (•). This indicates that the part(s) is available separately or included in an assembly.

GRID NO. 67D6 SWITCH PANEL ASSEMBLY

REF	PART#	DESCRIPTION	QTY
	45-1239	PANEL - assy, switch	1
1	99-1960	• PANEL	1
	99-6280	• • NAMEPLATE - panel	1
2	33-743	• GASKET	1

For example: the switch panel nameplate (99-6280) is available separately, available as part of the switch panel (99-1960) and with the panel assembly (45-1239).

ABBREVIATIONS

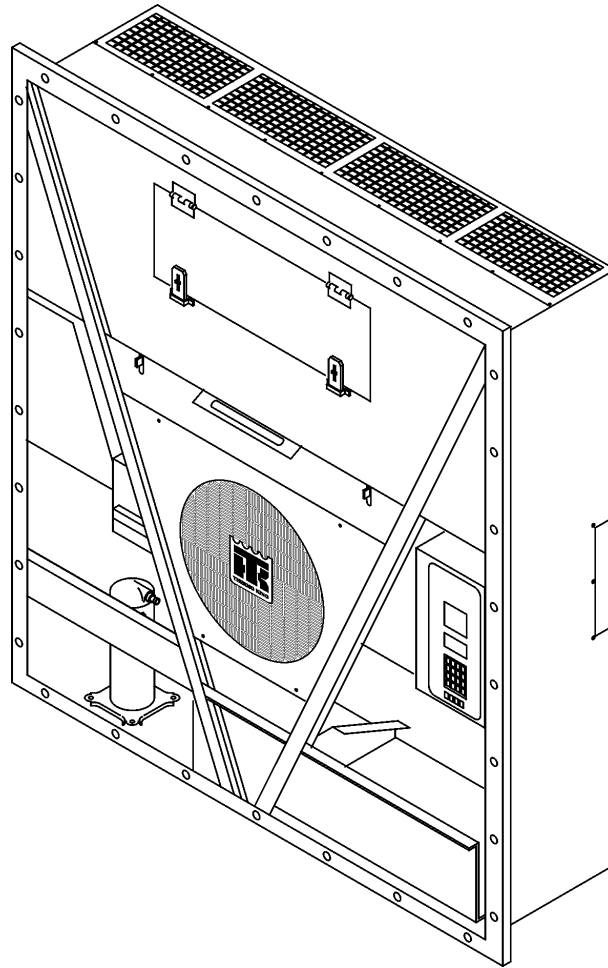
The following abbreviations appear in parts manuals

A AC alternating current	E (continued)	O os oversized
A/R as required	evap. evaporator	od outside diameter
accum accumulator	exch exchanger	P pcb printed circuit board
adj adjusting	exp expansion	pkg package
al aluminum	ext external	ph phase
alt. alternator	F F Fahrenheit	pos positive
A or amp ampere	fill fillister	psi pounds per square inch
assy assembly	fi fuel injection	
B bd board	fl flare	R rad radiator
brg bearing	fpt female pipe thread	rcvr receiver
brkr breaker	ft feet	ref reference
brkt bracket	ftg fitting	reg regulator
C C Celsius	H hex hexagon	req required
cw clockwise	hh hexagon head	rpm revolutions per minute
ccw counter-clockwise	hd head	S sec second
cam camshaft	hp horsepower	sld solder
compr compressor	hsg housing	soc hd. socket head
cond. condenser	I id inside diameter	sol solenoid
conn. connecting, connector	in inch (2.54 centimeters)	spl special
cyl cylinder	incl includes	sq square
D def defrost	inj injection	ss stainless steel
deg degree	int internal	std standard
dehyd. dehydrator	int th internal tooth	stl steel
dia diameter	L liq liquid	suct suction
DC direct current	lg long	sw switch
disch discharge	M mm millimeter	T term terminal
diff differential	mpt male pipe thread	temp temperature
E EMI Extended	mod modulating	thk thick
. Maintenance Interval	N neg negative	U us undersize
EEC European Economic Community	No. number	V vib vibrasorber
eng engine	NS not supplied	W W watt
	NSS not sold separately	w/ with
		w/o without

MAGNUM PLUS

Contents

Name	Grid	Page
MAGNUM PLUS REFERENCE SHEET14U3.3
AIR VENT (40 FT CONTAINERS).143D7.35
NAMEPLATES.180E6.39
DEFROST DRAIN189C4.37
DOWNLOAD CABLES226E2.25
REFRIGERATION COMPONENTS (SERVICE VALVES)235E0.11
CONDENSER FAN GROUP235E8.5
EVAPORATOR FAN GROUP235E9.7
ELECTRICAL COMPONENTS235G1.19
CONTROL BOX (mP-4000).235G2.21
CONTROL BOX DOOR (mP-4000).235G3.23
USDA DOWNLOAD PANEL235G4.27
CONDENSER COMPONENTS.235G5.29
EVAPORATOR PANELS.235G6.33
EVAPORATOR HEATER GROUP259A4.31
COMPRESSOR GROUP (SERVICE VALVES)259C5.17



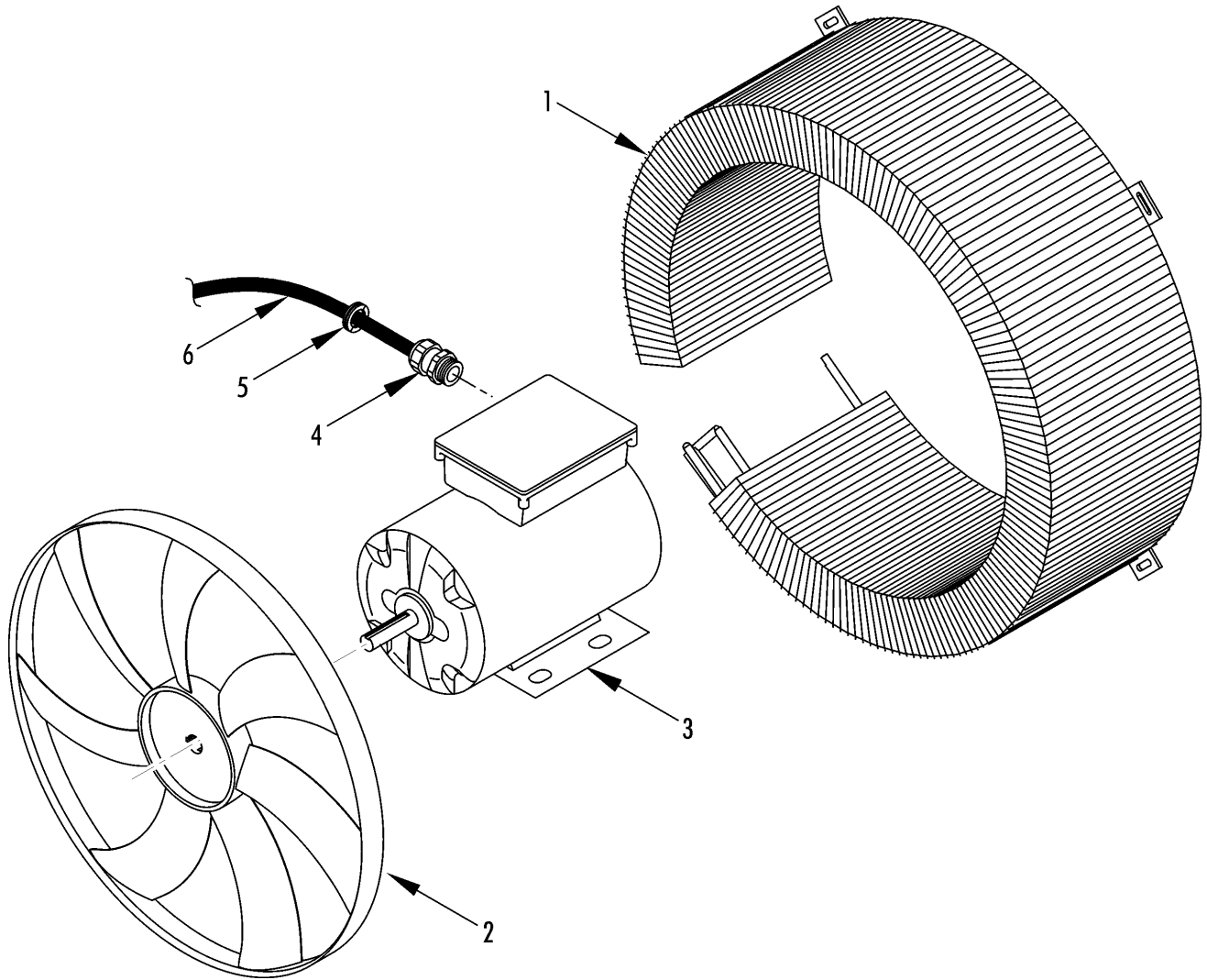
Revised
6/13/12

MAGNUM PLUS REFERENCE SHEET



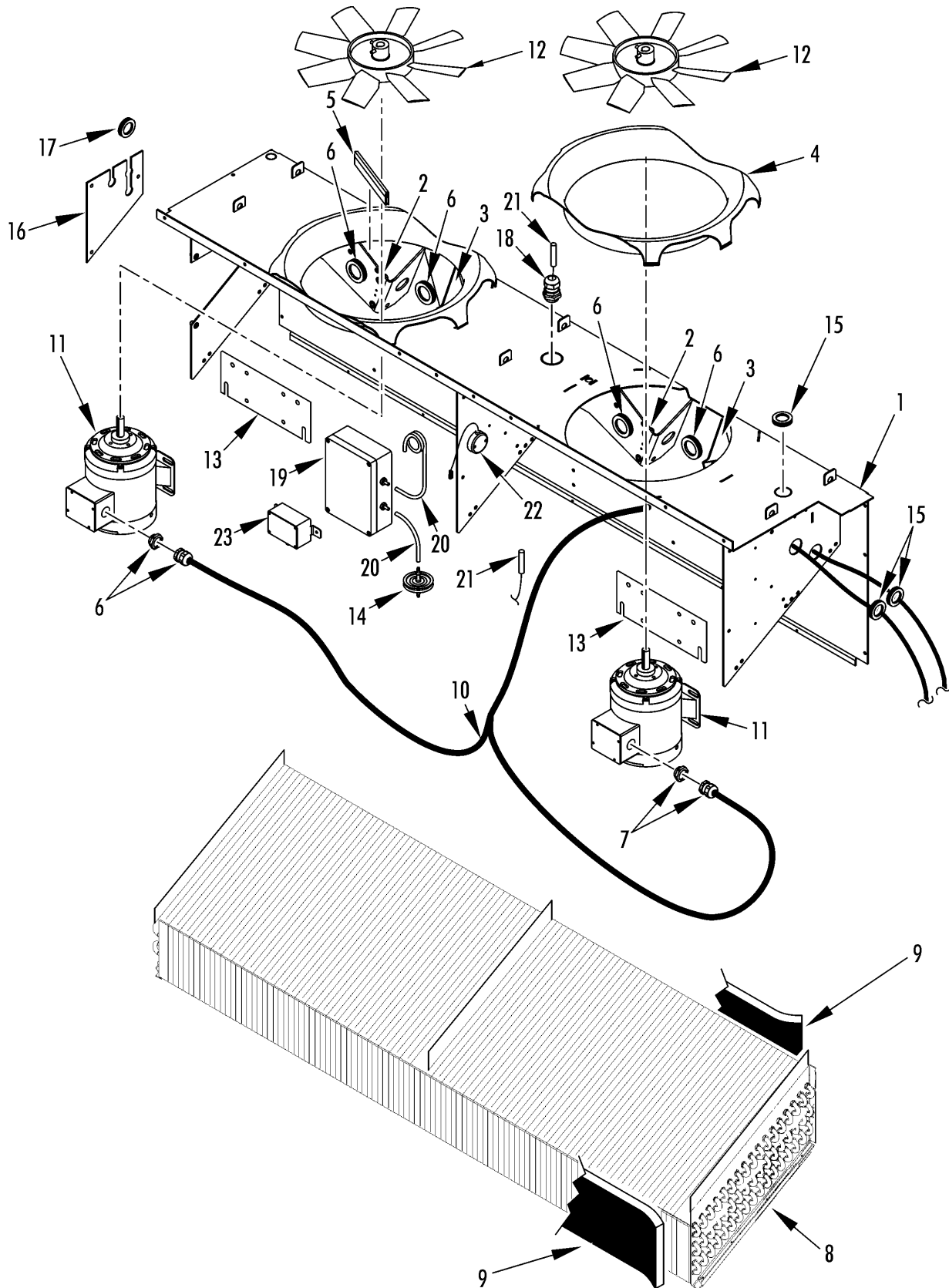
14U3

B/M	DESCRIPTION	Date
098203	MAGNUM PLUS	6/12



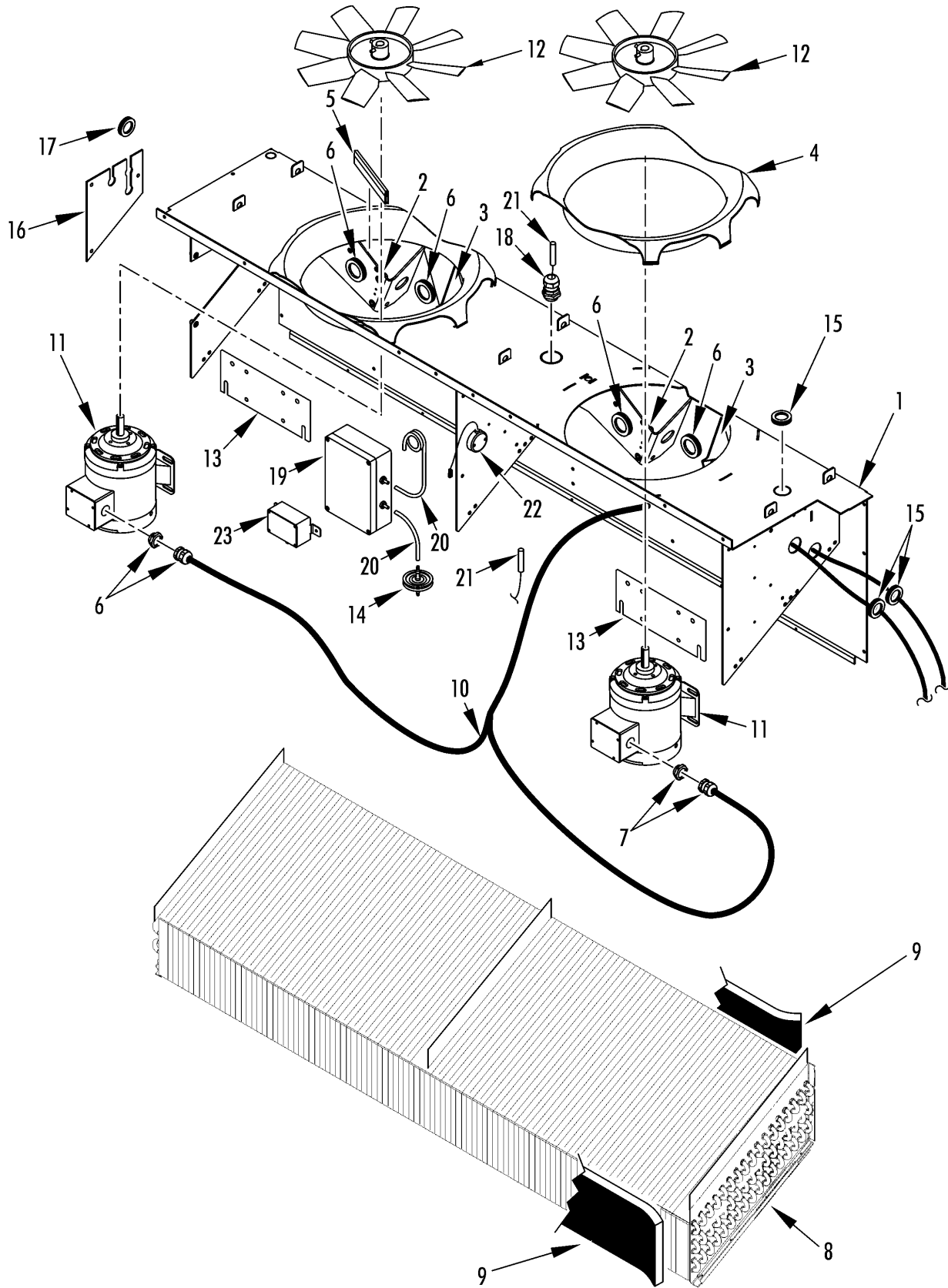


REF	PART#	DESCRIPTION	QTY
1	60-285	COIL - condenser	1
	67-1589	COIL - condenser (deep freeze units only)	1
	33-2950	GASKET (10 x 15 mm)	A/R
	51-1442	SCREW - coil	7
	51-1444	FLATWASHER	7
	55-9054	WASHER (nylon)	7
2	78-1684	FAN - condenser (21.6 in, 500 mm dia, 30 deg pitch, 8 blade)	1
3	104-759	MOTOR - condenser fan (0.75 hp)	1
	51-1443	SCREW - motor	4
	51-1444	FLATWASHER	8
	51-1429	LOCKWASHER	4
	51-1427	NUT	4
4	55-5900	GRIP - cable	1
5	33-367	GROMMET	1
6	41-2953	HARNESS - condenser fan	1





REF	PART#	DESCRIPTION	QTY
1	98-8242	HOUSING - evaporator (12 in, 312 mm dia)	1
2	92-2779	• BRACKET - motor (left)	2
3	92-2332	• BRACKET - motor (right)	2
	55-9162	RIVET - housing	10
4	78-1737	• SHROUD - fan	2
5	33-3929	TRIM - edge guard	A/R
6	33-3917	GROMMET (1.180 in)	4
7	55-5900	CONNECTOR - harness & sensor	2
8	NSS	COIL - evaporator (see Refrigeration Group)	1
	51-1447	SCREW - coil	10
	55-9217	CAP - screw	3
9	91-9328	BLOCK - coil	2
10	41-3685	HARNESS - evaporator fan	1
11	104-691	MOTOR - fan	2
	51-1869	SCREW - motor	8
	51-1429	LOCKWASHER	8
	51-1444	FLATWASHER	8
	51-1427	NUT	8
12	78-1683	FAN - evaporator (14 in, 355 mm dia)	2
13	91-8466	BRACKET - motor	2
	51-1869	SCREW - bracket	8
	51-1444	FLATWASHER	8
	51-1429	LOCKWASHER	8
	51-1427	NUT	8
14	92-458	FILTER - gas sensor	1
15	33-2946	GROMMET (37 mm)	4
16	92-2775	COVER - tube	1
	51-1422	SCREW	3
	51-1441	FLATWASHER	3
	51-619	WASHER - insulator	3
17	33-367	GROMMET	4
18	51-270	CONNECTOR - liquid tite	1
19	41-9768	SENSOR - gas (O2/CO2)	1
	41-7143	SENSOR - gas (O2 only)	1
	51-1442	SCREW	2
	51-619	WASHER - insulator	2
	51-1441	FLATWASHER	2
	55-9698	INSERT	2
20	11-4367	HOSE - sensor (1/4 od x 35 ft lg)	A/R
21	40-1044	SENSOR - kit (return air & defrost)	2
22	41-9220	SENSOR - humidity	1
	51-1461	SCREW	2



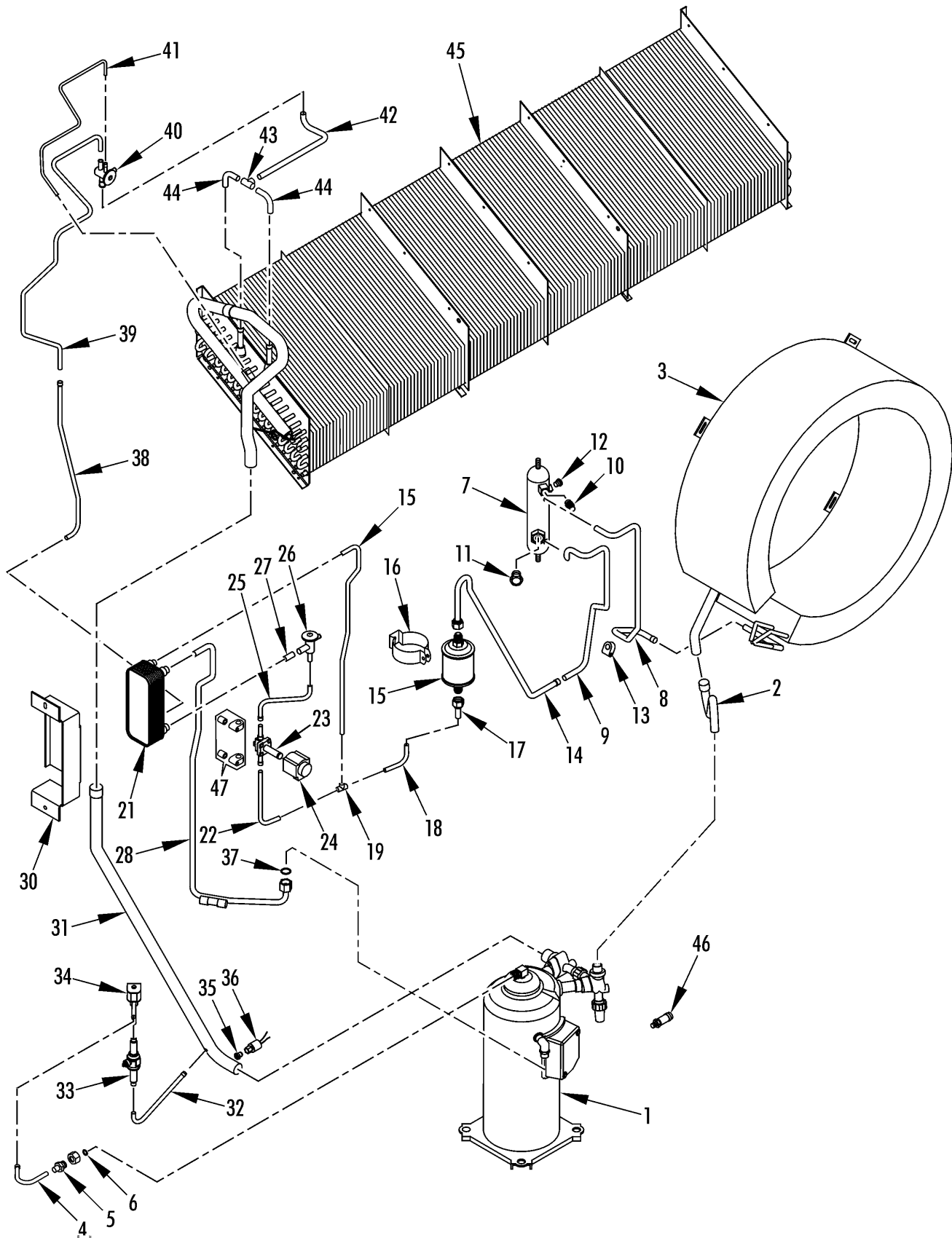
Revised
8/14/11

EVAPORATOR FAN GROUP



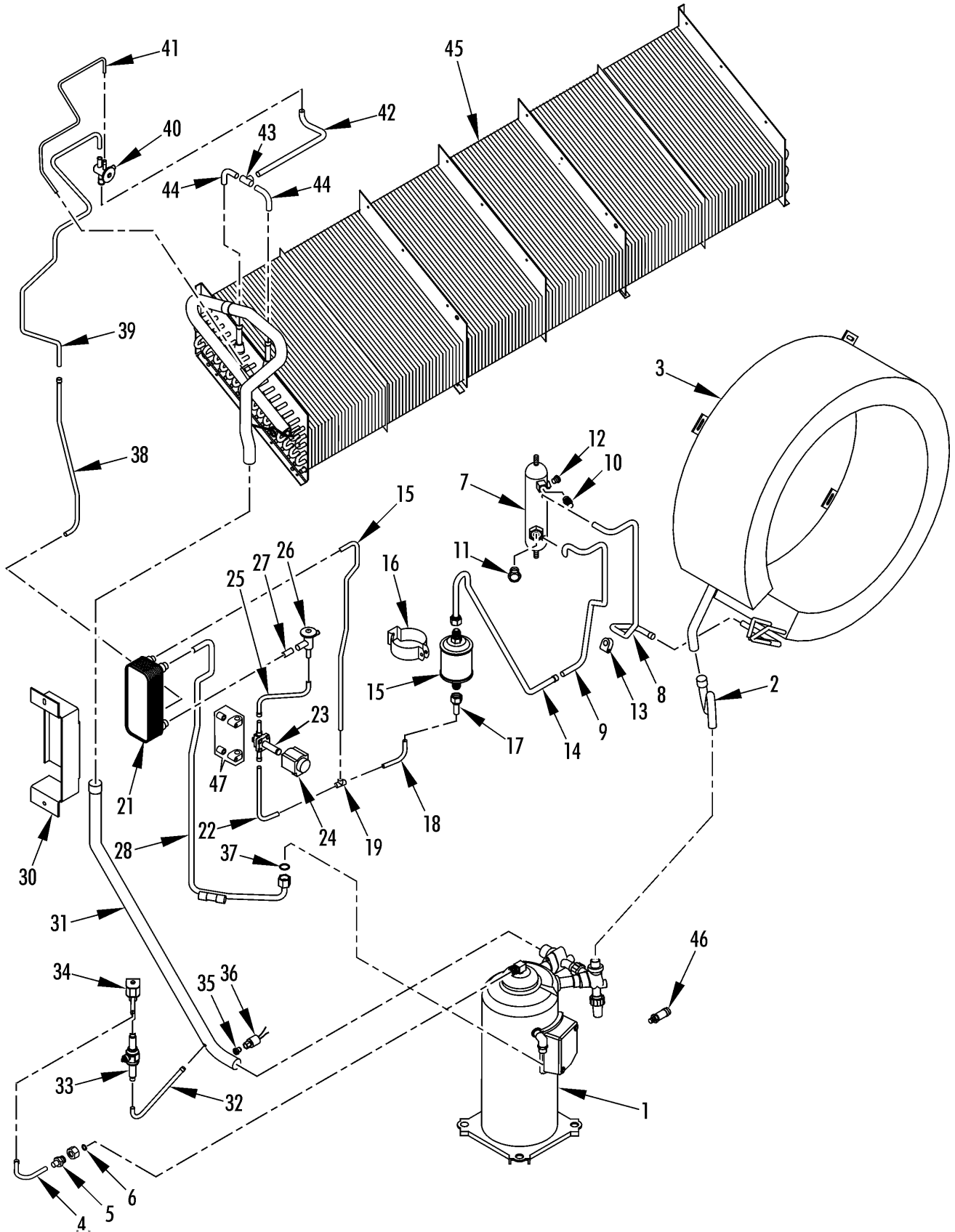
235E9

REF	PART#	DESCRIPTION	QTY
	51-1870	CAP - tube	2
23	41-9490	SENSOR - gas (CO2 only)	1



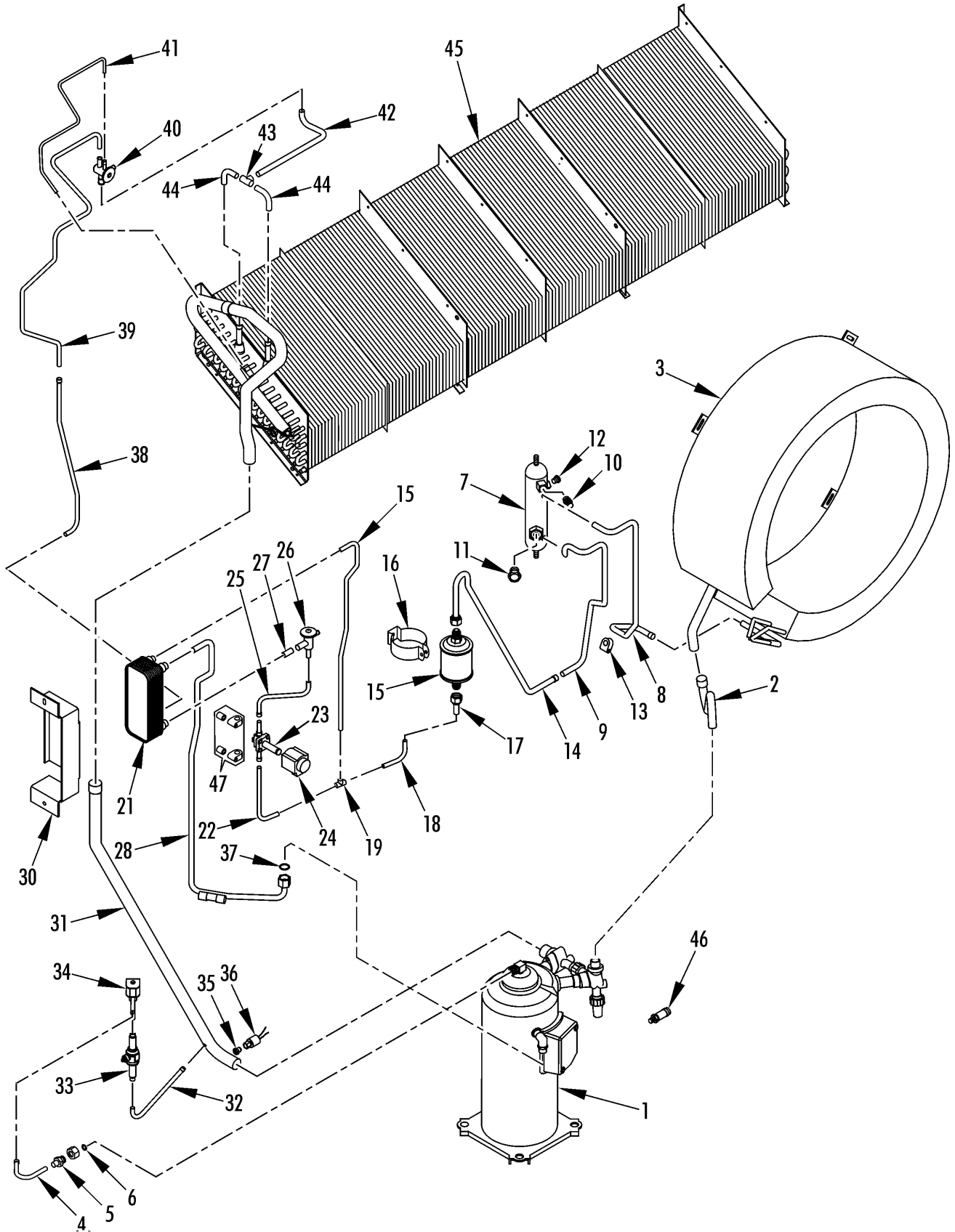


REF	PART#	DESCRIPTION	QTY
1	102-795	COMPRESSOR - scroll (see 180E1)	1
	92-2229	SPACER - compressor	1
2	61-2477	TUBE - valve to coil	1
3	60-285	COIL - condenser	1
4	61-2467	TUBE - valve to coil	1
5	61-2162	ADAPTER - compressor	1
6	33-3912	SEAL - teflon fiber	1
7	67-1991	TANK - receiver	1
8	61-2238	• TUBE - receiver to dehydrator	1
9	61-2569	• TUBE - receiver to condenser	1
10	66-7812	CAP - fitting	1
11	66-8811	INDICATOR - liquid	1
	33-3007	O-RING	1
12	506-364	PLUG - fusible	1
	51-273	NUT - receiver tank	2
	55-9027	WASHER - insulating	4
13	55-6730	CLAMP - tube	2
	51-1421	SCREW - clamp	1
	51-1425	NUT	1
14	61-3508	TUBE - receiver to dehydrator	1
	55-302	NUT - adapter	1
15	61-786	DEHYDRATOR	1
16	51-1871	CLAMP - dehydrator	1
	51-1442	SCREW - clamp	1
	51-1441	FLATWASHER - clamp	1
	51-1425	NUT - clamp	1
	55-9054	WASHER - insulating	1
	51-1442	SCREW - dehydrator	1
	51-1464	FLATWASHER - dehydrator	2
17	61-3506	TUBE - filter	1
	55-302	NUT - adapter	1
18	61-3503	TUBE - filter to tee	1
19	55-3251	TEE	1
20	61-2471	TUBE - tee to exchanger	1
21	67-1889	HEAT EXCHANGER - economizer	1
	92-3547	INSULATION - heat exchanger	1
22	61-2472	TUBE - tee to valve	1
	91-758	CLAMP - tube	1
	51-1442	SCREW - clamp	1
	51-1441	FLATWASHER	2
	55-8915	SPACER	1
23	61-2470	VALVE - solenoid (vapor injection)	1





REF	PART#	DESCRIPTION	QTY
24	41-5460	COIL - valve	1
	504-919	• COIL	1
25	61-2469	TUBE - valve to expansion	1
26	66-9906	VALVE - expansion (economizer)	1
27	61-1847	TUBE - expansion valve to exchanger	1
28	61-2474	TUBE - liquid injection	1
	55-8951	SHOULDER	1
	55-8950	NUT - o-ring seal	1
	33-4499	INSULATION - tube (cut to 24.5 in lg)	A/R
	33-4499	INSULATION - tube (cut to 19.0 in lg)	A/R
	91-1800	CLAMP - tube	2
	51-1442	SCREW - clamp	1
	51-1425	NUT	1
29	61-2476	TUBE - tx bulb	1
30	92-3391	BRACKET - heat exchanger	1
	92-3550	INSULATION - mylar	1
31	61-3502	TUBE - suction	1
	33-4500	INSULATION - tube (42.1 in lg)	A/R
32	61-2466	TUBE - suction to ball valve	1
33	61-2465	VALVE - ball	1
34	61-2057	VALVE (PWM)	1
	41-7937	• COIL (only)	1
35	66-6607	FITTING - low side	1
	66-7183	• CAP - charge port (blue)	1
	66-8054	ADAPTER	1
36	41-4473	SWITCH - lpc0	1
37	33-566	O-RING	1
38	61-2468	TUBE - heat exchanger to evaporator	1
	33-4501	INSULATION - tube (14.1 in lg)	A/R
39	61-2050	TUBE - exchanger to coil (#2)	1
40	61-443	VALVE - expansion	1
41	61-2048	TUBE - equalizer	1
42	61-2049	TUBE - expansion valve to tee	1
43	55-2296	TEE	1
44	61-2051	TUBE - tee to distributor	1
45	67-1923	COIL - evaporator (14.7/374 wide, see 235E9)	1
46	41-4004	SWITCH - hpc0	1
47	55-6388	CLAMP - tube (3/8)	3
	91-759	CLAMP - tube (1/2)	1
	55-8915	SPACER (18 mm)	4
	55-7029	SCREW - clamp (65 mm)	2
	55-8993	SCREW - clamp (50 mm)	2



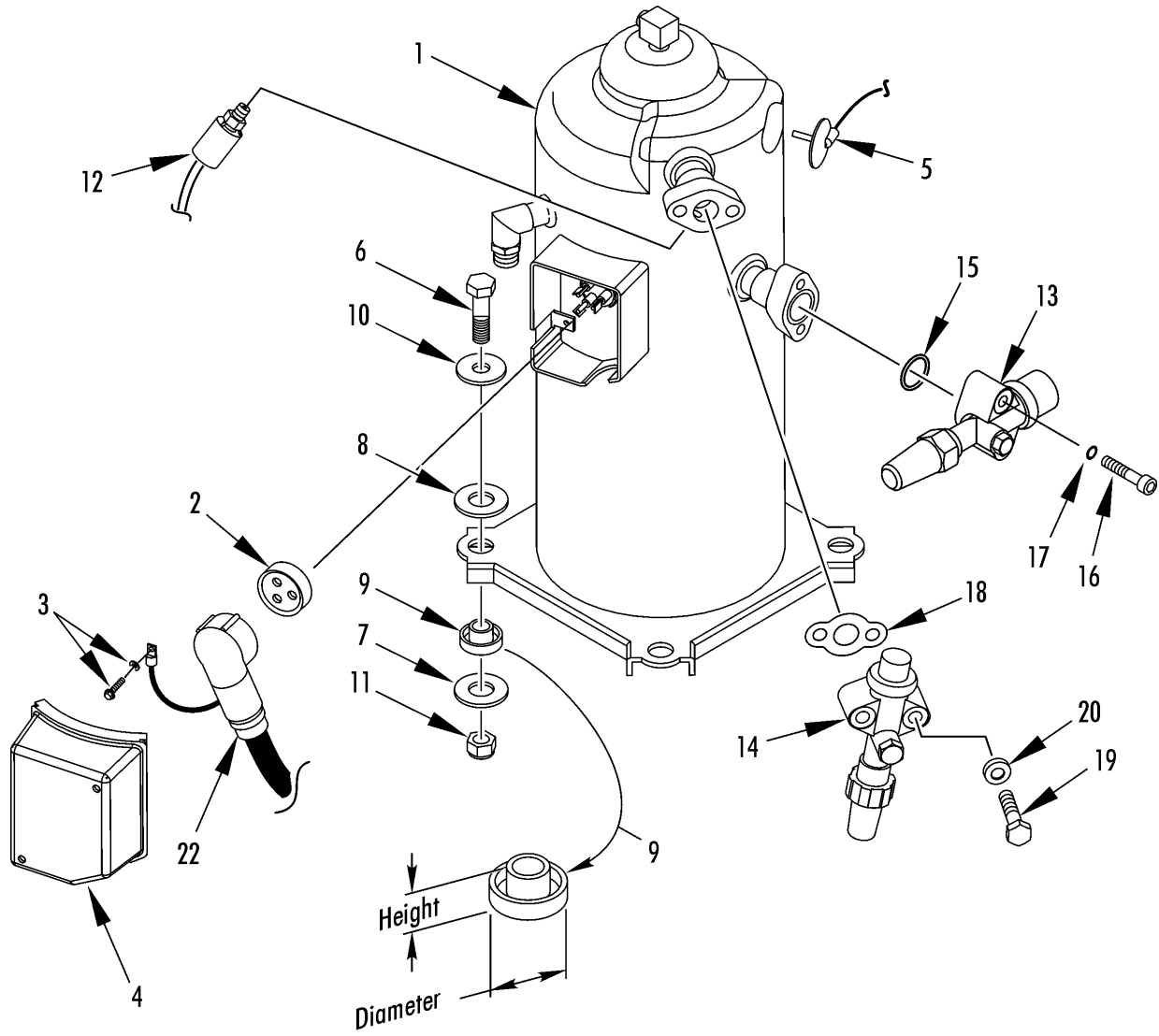
Revised
6/12/12

REFRIGERATION COMPONENTS (SERVICE VALVES)



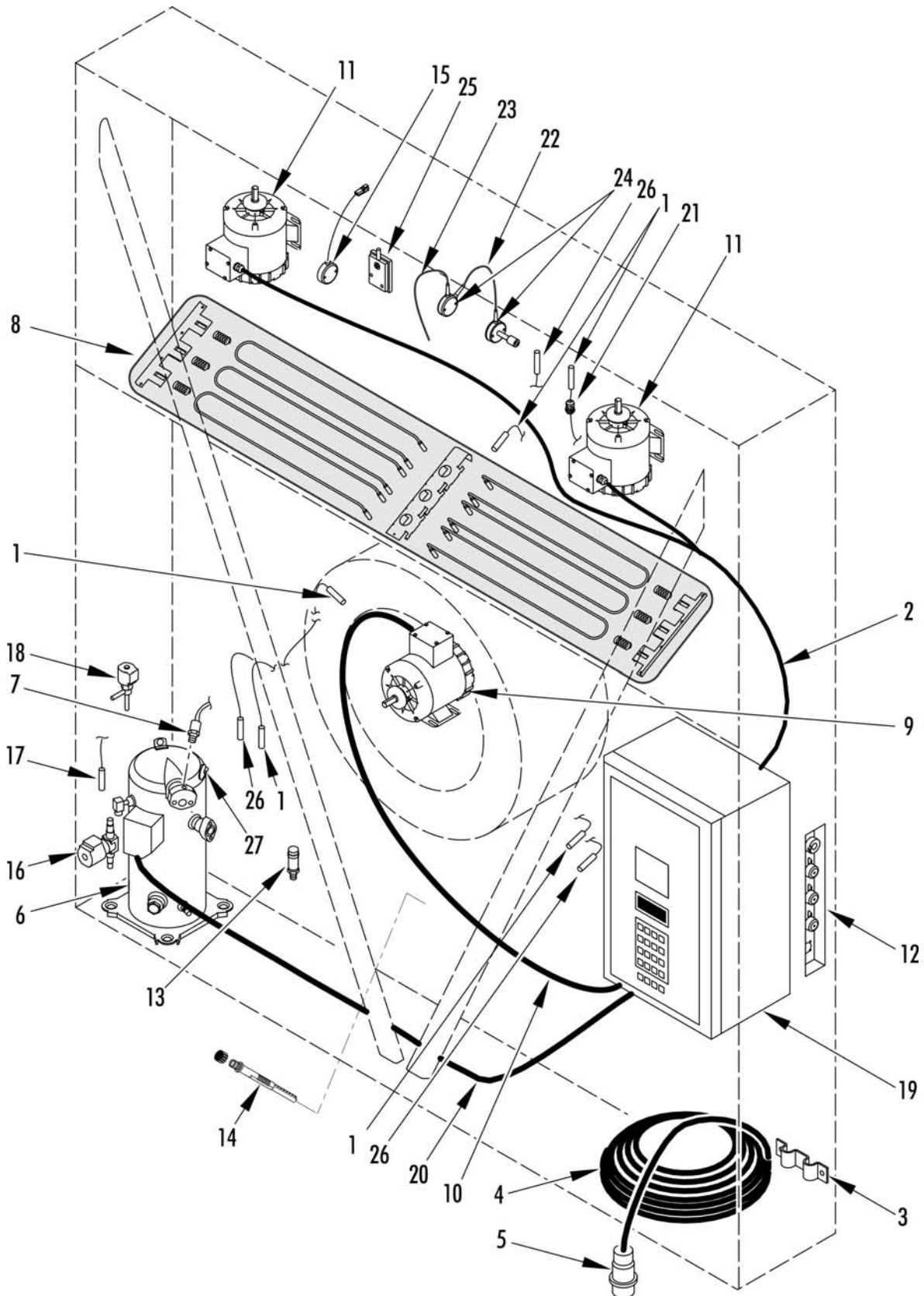
235E0

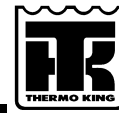
REF	PART#	DESCRIPTION	QTY
	55-9027	WASHER (nylon)	2



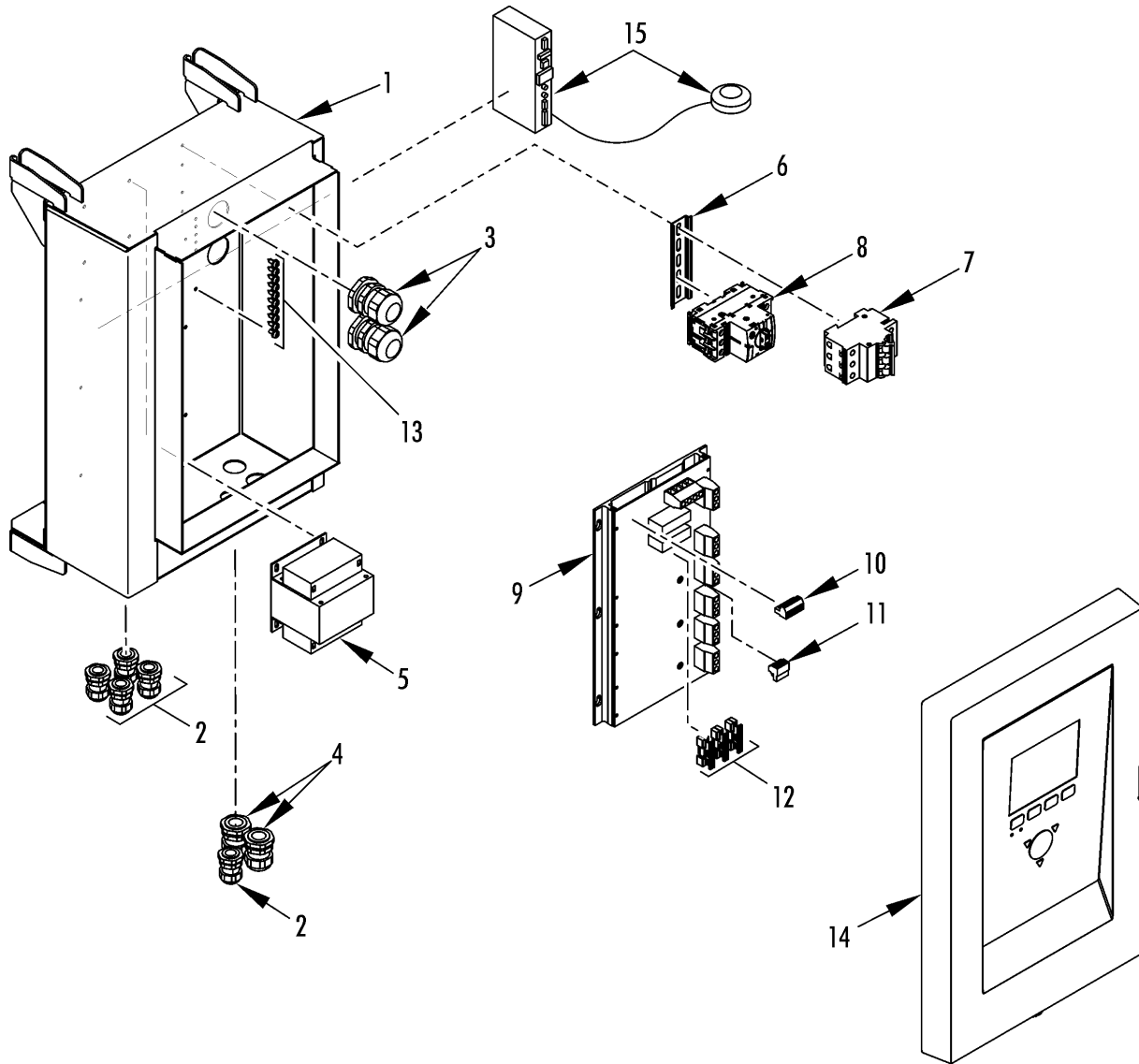


REF	PART#	DESCRIPTION	QTY
1	102-795	COMPRESSOR - scroll	1
	203-516	OIL - compressor	A/R
	40-779	KIT - gasket & grease	1
2	33-2951	• GASKET - power connector	1
	33-2979	• SEALER - silicone grease pack	1
3	55-8994	• SCREW - ground	1
	55-8995	• WASHER - ground	1
4	91-9021	• COVER - terminal box	1
5	40-776	• KIT - thermistor	1
6	51-1433	SCREW - compressor	4
7	51-1435	FLATWASHER (12 mm)	4
8	55-9012	WASHER - vibration damper	4
9	51-1432	SPACER (1/03 - 3/10, height - 17.4, dia 34.3)	4
	51-2033	SPACER (3/10 & after, height - 17.9, dia 34.3)	4
10	51-1436	FLATWASHER (13 mm)	4
11	51-1434	NUT	4
12	41-4004	SWITCH - hpco	1
	203-393	SEALER - thread (red)	A/R
13	61-2118	VALVE - suction	1
14	61-2119	VALVE - discharge	1
15	33-727	O-RING - suction	1
16	51-1438	SCREW - flange	2
17	51-1429	LOCKWASHER	2
18	33-2805	GASKET - flange	1
19	51-1437	SCREW - discharge valve	2
20	51-358	WASHER - sealing	2
22	40-782	KIT - power cord	1



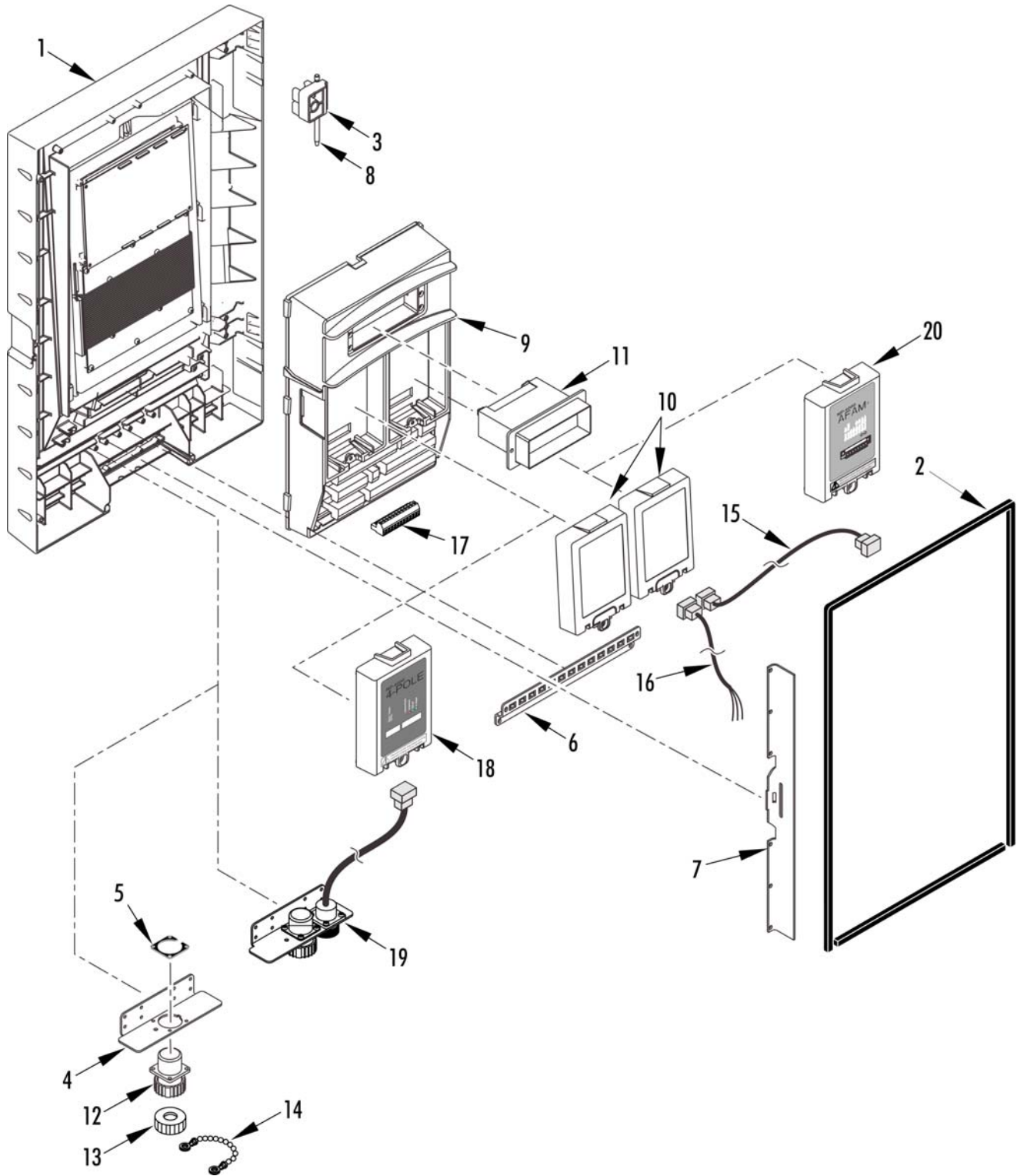


REF	PART#	DESCRIPTION	QTY
1	40-1044	SENSOR - kit (defrost, ambient, air return, supply & coil)	A/R
2	41-3685	HARNESS - evaporator (see 235E9/247C5)	1
3	92-5546	BRACKET - cable restraint	1
	51-1445	SCREW - bracket	2
	51-1446	LOCKWASHER	2
	51-1441	FLATWASHER	2
	55-9054	WASHER - insulator	2
4	45-1992	CABLE - power (19.2 meters, 63 ft, 11/4 ga)	1
5	41-1976	• PLUG - power (Minnekes)	1
	44-9891	• TERMINAL - pin	7
	40-692	KIT - Cable Splice	1
	45-1908	CABLE (11/4, 250 ft roll)	A/R
	45-2272	CABLE (11/4, 1000 ft roll)	A/R
6	102-795	COMPRESSOR - scroll (see 259C5)	1
7	41-4004	SWITCH - hpco	1
8	NSS	HEATER GROUP (see grid 259A4)	1
9	104-759	MOTOR - condenser fan (see 235E8)	1
10	41-2953	HARNESS - condenser fan (see 235E8)	1
11	104-691	MOTOR - evaporator fan (see 235E9/247C5)	2
12	NSS	PANEL - USDA receptacle (see 235G4/247C9)	1
13	41-6150	TRANSDUCER - suction (200PSI, see 235E0/247C0)	1
14	91-9754	SENSOR - pocket	2
15	41-9220	SENSOR - humidity	1
16	61-2470	VALVE - vapor injection (see 235E0/247C0)	1
	41-5460	COIL - valve	1
17	41-4300	SENSOR - compressor	1
18	61-2057	VALVE - digital (see 235E0/247C0)	1
	41-7937	• COIL (only)	1
19	NSS	BOX - control (see 235G2)	1
20	40-786	CABLE - compressor	1
21	51-270	CONNECTOR - liquid tite	1
22	42-373	CABLE - connection	1
23	42-374	CABLE - supply	1
24	40-1163	KIT, CO2 / O2 RS485 sensor	1
25	42-375	HUMIDITY SENSOR -humidity (for OOCL)	1
26	NSS	SENSOR - temperature (for OOCL, not supplied by Thermo King)	3
27	40-776	KIT - thermistor	1



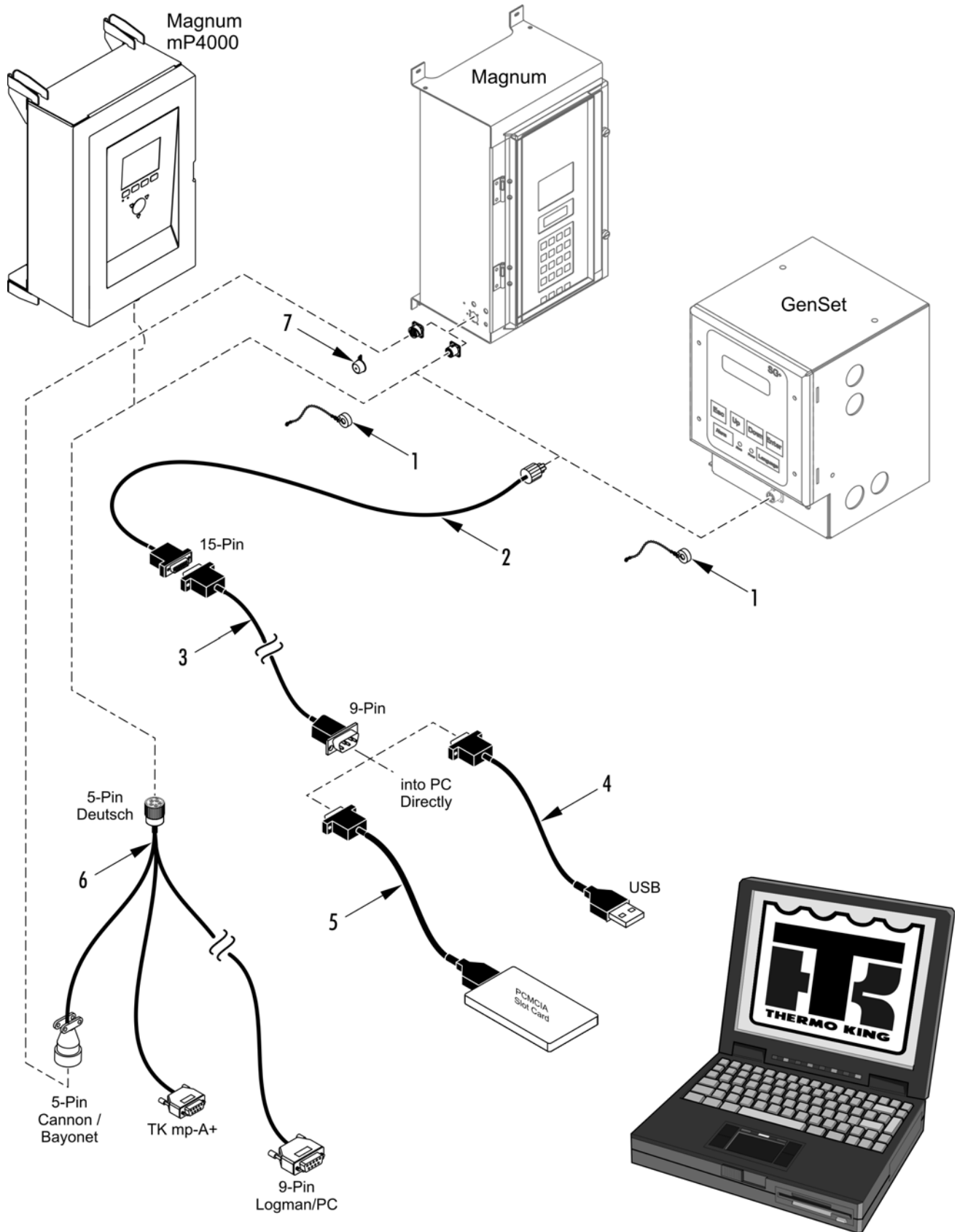


REF	PART#	DESCRIPTION	QTY
1	04-7225	BASE - control box (mP-4000)	1
2	55-5900	• CONNECTOR - liquid tite	5
3	55-5112	• CONNECTOR - liquid tite	2
4	55-5257	• CONNECTOR - liquid tite	2
5	41-8763	• TRANSFORMER	1
	51-1419	• NUT	4
	51-1872	• FLATWASHER	4
6	92-7635	• RAIL - din	1
	51-1445	• SCREW	4
	55-9485	• FLATWASHER	4
7	41-5104	• BREAKER - circuit (25 amp)	1
	42-352	• BREAKER - circuit (adjustable, 25 - 32 amp)	1
8	41-3605	• CONTACTOR (CI 25)	1
9	41-8719	• MODULE - power (MP-4000)	1
10	504-843	• BLOCK - terminal (6 pole)	1
11	41-3596	• BLOCK - terminal (4 pole)	1
12	41-9286	• FUSE & COVER (20 amp, black fuse)	3
13	51-336	• SCREW	10
	51-1873	• LOCKWASHER	10
14	NSS	• DOOR - controller (see 235G3 or 259C6)	1
15	NSS	GPS MODEM & ANTENNA (for OOCL, not supplied by Thermo King)	1
	92-9521	BRACKET - GPS (for OOCL)	1
	51-336	SCREW - bracket	4
	55-9444	WASHER - insulating	4



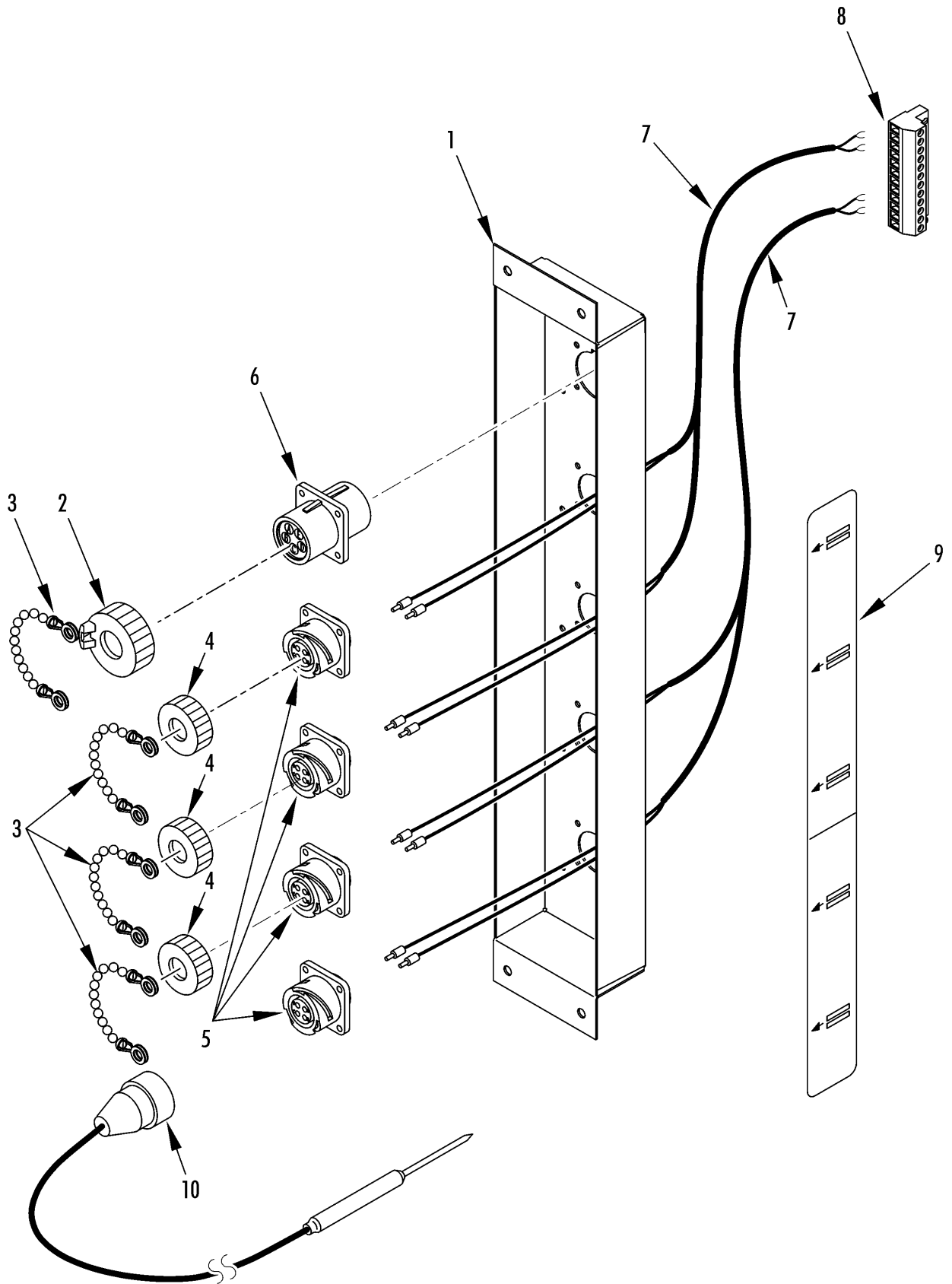


REF	PART#	DESCRIPTION	QTY
1	41-8723	DOOR - front (mP-4000, includes keypad and VGA display)	1
2	33-4502	GASKET - door	1
3	51-1844	HINGE - top	2
	51-1874	SCREW	6
4	92-7636	BRACKET - connector	1
5	92-7637	BRACKET - washer deutsch plug	1
	51-1875	RIVET (3 X 10 mm)	4
	51-1876	RIVET (3 X 8 mm)	1
6	92-7638	BRACKET - cable	1
7	92-7559	BRACKET - lock reinforcement	1
8	51-1843	PIN - hinge	2
9	45-2295	CONTROLLER (MP-4000)	1
10	41-8718	MODULE - blanking	2
11	41-8717	MODULE - battery	1
12	41-8724	CABLE - retriever	1
13	41-2406	CAP - dust	1
14	92-8690	STRAP - cap	1
15	41-8716	CABLE - serial (CM-4000 to PM-4000)	1
16	41-8715	CABLE - serial (cargo)	1
17	41-9974	CONNECTOR - 8-pin	1
	41-9975	CONNECTOR - 9-pin	1
	41-9976	CONNECTOR - 4-pin	1
	41-9977	CONNECTOR - 6-pin	1
	41-9978	CONNECTOR - 17-pin	1
18	45-2338	MODULE - expansion	1
19	41-9237	HARNESS - expansion module	1
20	42-353	MODULE - AFAM+	1



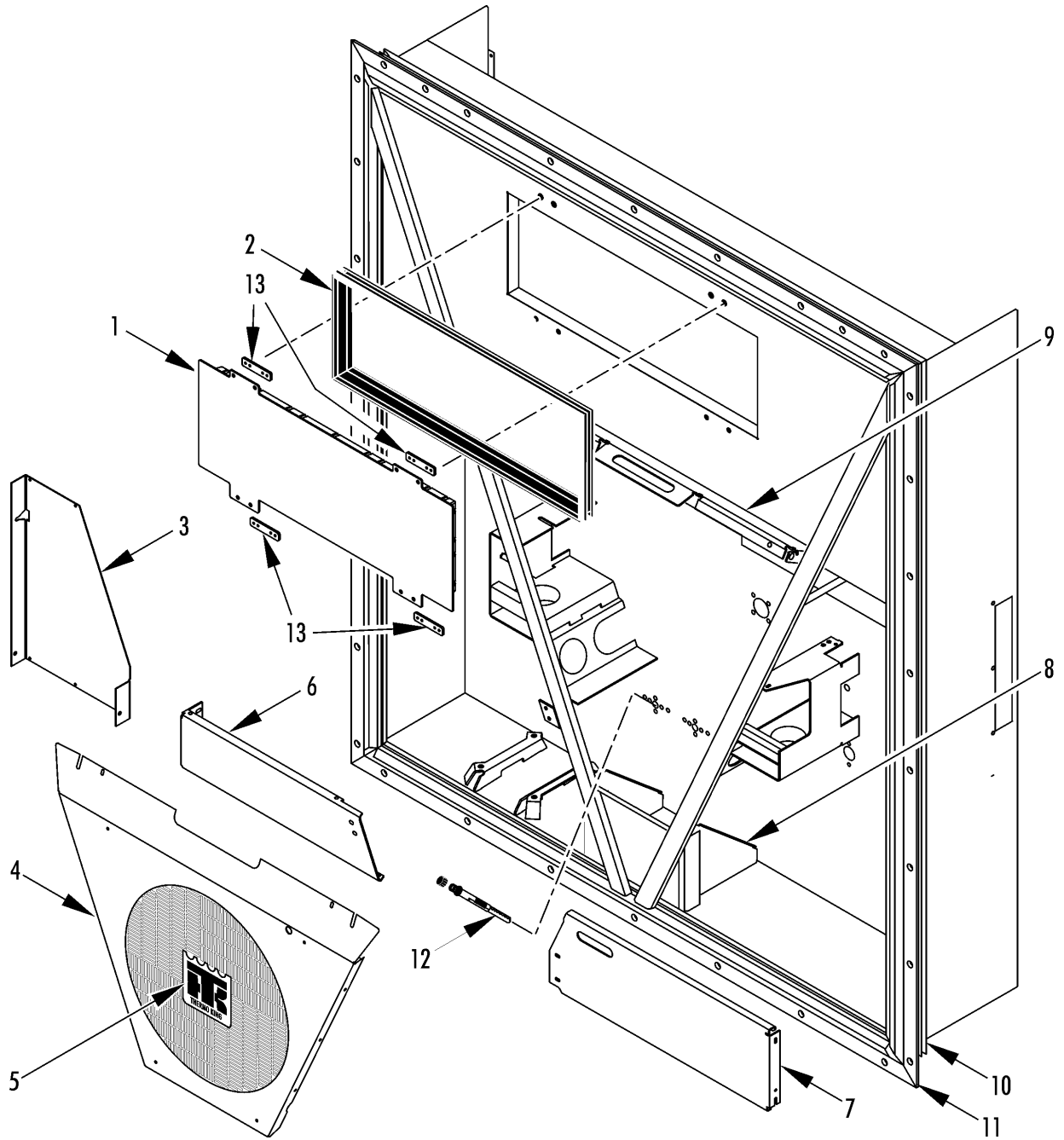


REF	PART#	DESCRIPTION	QTY
1	41-2406	CAP - dust (5-pin Deutsch)	1
	99-3685	CHAIN - cap	1
2	204-918	CABLE - data (5-pin Deutsch to 15-pin D connectors)	1
	204-974	CABLE - data (5-pin Cannon bayonet to 15-pin D connectors)	1
	204-975	CABLE - data (5-pin Cannon threaded to 15-pin D)	1
3	44-9417	CABLE - data (15-pin D connector, 9-pin D PC, 20 ft)	1
	44-9418	CABLE - data (15-pin D connector, 9-pin D PC, 50 ft)	1
4	204-1109	ADAPTER - 9-pin D PC connector to USB	1
5	N/A	ADAPTER - 9-pin D PC to PC card (see service bulletin C061)	1
6	41-8065	CABLE - data download	1
7	41-3588	CAP - dust (5-pin Cannon)	1



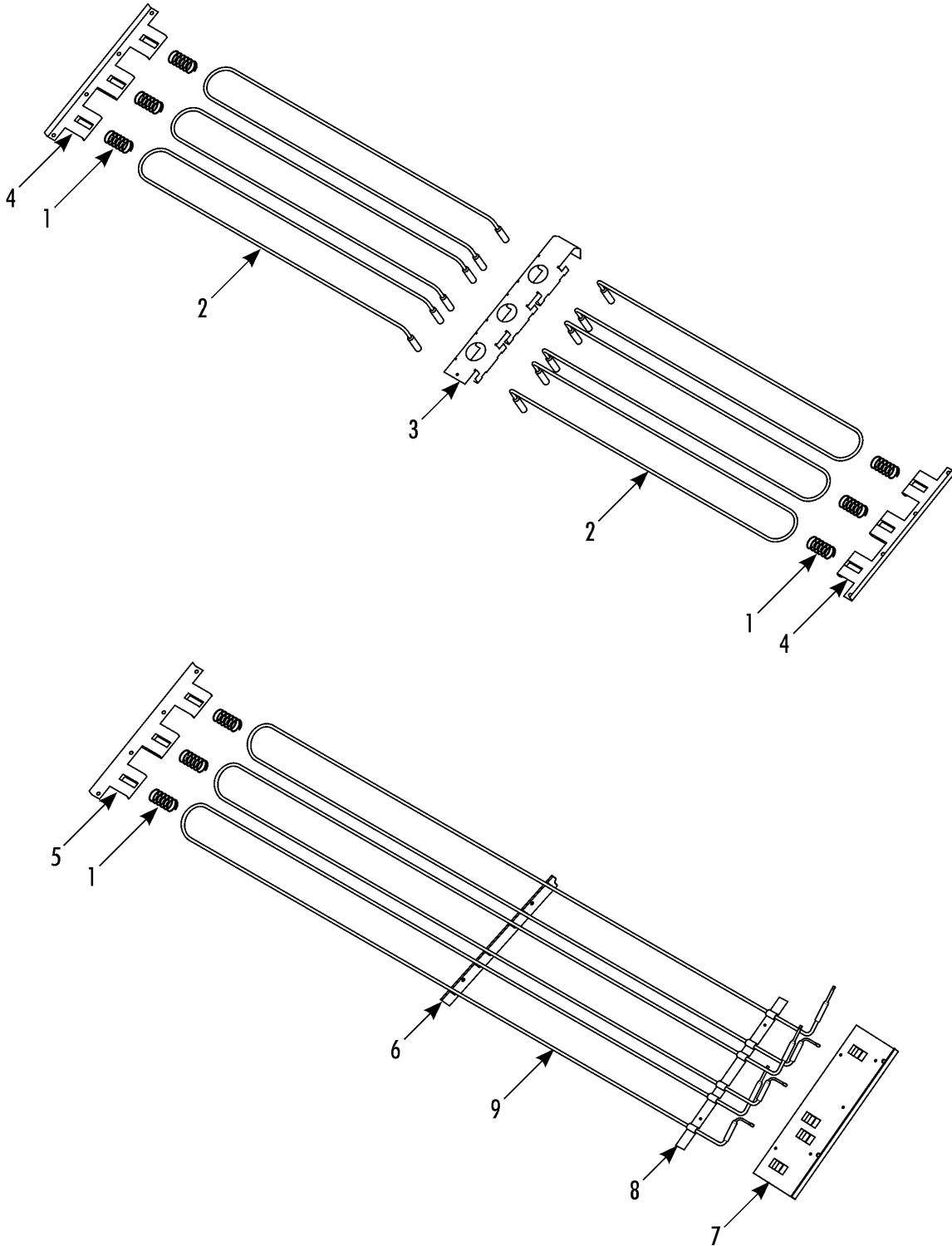


REF	PART#	DESCRIPTION	QTY
1	91-8645	PANEL - USDA receptacle	1
2	41-2406	CAP - dust	1
	92-206	CAP - dust (rubber)	1
3	99-3685	CHAIN - cap	5
4	41-890	CAP - dust	4
	55-9323	RIVET - cap	4
5	304-2772	RECEPTACLE (3-pin)	4
	55-2270	RIVET - receptacle	16
	55-7830	FLATWASHER	16
6	41-2405	CONNECTOR - receptacle (5-pin)	1
	55-2270	RIVET - receptacle	4
	55-7697	FLATWASHER	4
7	41-7183	CABLE -NTC	2
8	41-3585	CONNECTOR - plug (12-pin)	1
9	92-5392	NAMEPLATE - data download USDA	1
10	41-8188	SENSOR - thermistor (2.5 dia probe, 3-pin Deutsch, 14 m NTC, USDA)	1
11	41-7183	CABLE - NTC	2



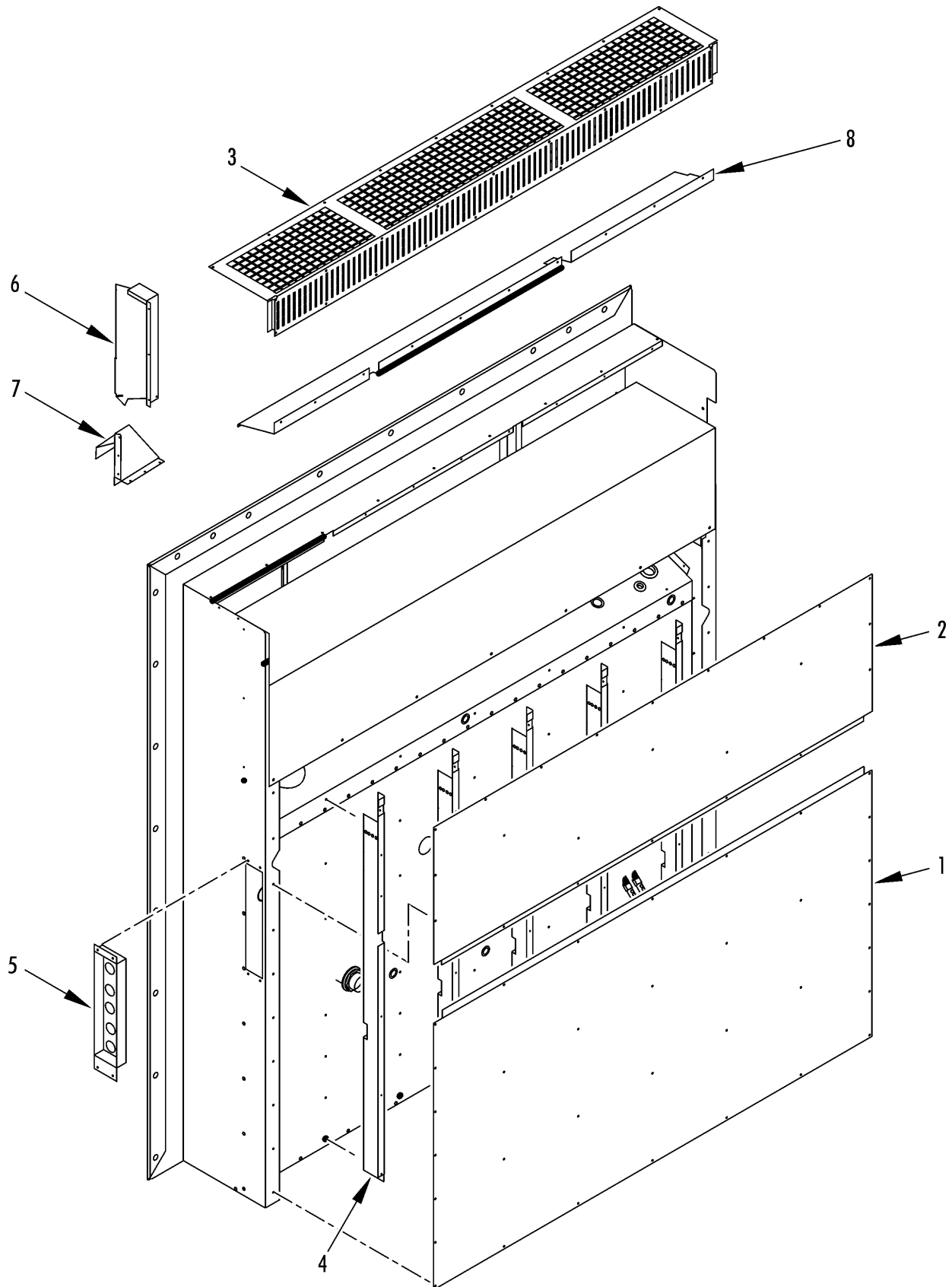


REF	PART#	DESCRIPTION	QTY
1	98-7691	DOOR - evaporator (bolt-on door)	1
	51-1460	SCREW - door (M8, TIR seal)	4
	51-1430	FLATWASHER (M8)	4
	55-9541	WASHER (M8, nylon)	4
	51-1459	SCREW - door (M6, TIR seal)	4
	51-1464	FLATWASHER (M6)	4
	55-9054	WASHER (M6, nylon)	4
2	33-3969	GASKET - evaporator door	1
3	91-8728	COVER (instead of thermometer)	1
	51-1467	SCREW - cover	3
	51-1444	FLATWASHER	3
4	98-5925	GRILLE - condenser (see 189C4)	1
	33-3043	GASKET - rubber extrusion	1
	51-1445	SCREW - grille	4
	51-1464	FLATWASHER	4
	55-9054	WASHER (nylon)	4
5	91-8475	NAMEPLATE - TK	1
6	91-8474	PLATE - guard	1
	55-7341	SCREW - plate	3
	51-1464	FLATWASHER	6
	55-9054	WASHER - insulation	6
7	98-6560	PLATE - cable storage (units w/o water cooled cond)	1
	51-1425	NUT	2
	55-9054	WASHER (nylon)	4
	51-1464	FLATWASHER	4
8	91-8108	BRACKET - frame	1
	51-1442	SCREW - bracket	5
	51-1425	NUT	3
	55-9054	WASHER (nylon)	5
	51-1464	FLATWASHER	5
9	92-891	BRACKET - safety hook	1
	51-1443	SCREW - bracket	4
	51-1430	FLATWASHER	4
	55-9541	WASHER (nylon)	4
10	33-2983	GASKET - unit	1
11	98-8243	FRAME - condenser	1
12	91-9754	POCKET - sensor	2
13	33-4829	GASKET - door	4



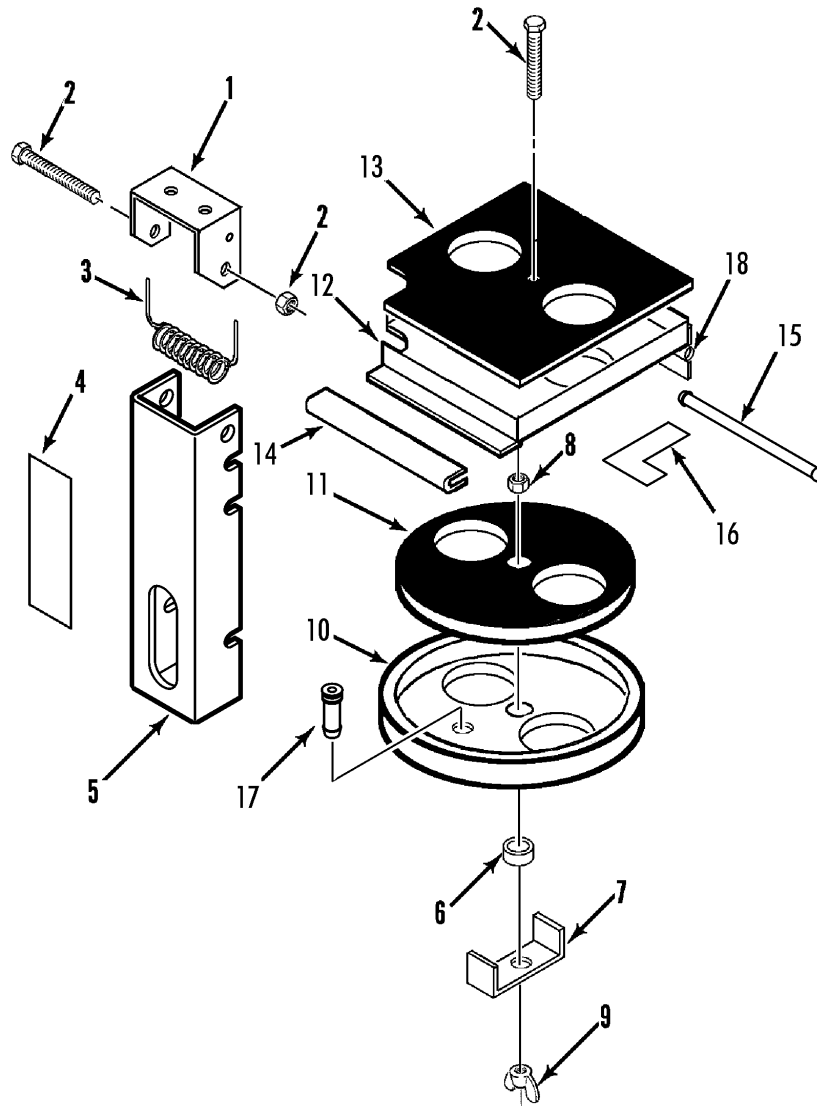


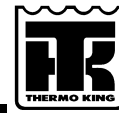
REF	PART#	DESCRIPTION	QTY
1	91-8140	SPRING - heater	A/R
2	45-1927	HEATER (680W, 2 meter leads)	6
3	91-8142	BRACKET - heater (center, 15.4/404 long, MAGNUM)	1
	91-8634	BRACKET - heater (center, 13.6/347 long, MAGNUM SL)	1
4	91-8467	BRACKET - heater (ends, 13.8/350 long, MAGNUM)	2
	91-8629	BRACKET - heater (ends, 12.8/326 long, MAGNUM SL)	2
	51-1447	SCREW - bracket	A/R
5	91-8629	BRACKET - heater (spring end)	1
6	92-9488	BRACKET - heater (center)	1
7	92-9489	BRACKET - heater (lead end)	1
8	92-9521	BRACKET - heater (holddown)	1
	51-1447	SCREW - bracket	A/R
9	45-2441	HEATER (1360W, 18 ga leads)	3
	45-2451	HEATER (2000W, 16 ga leads)	3



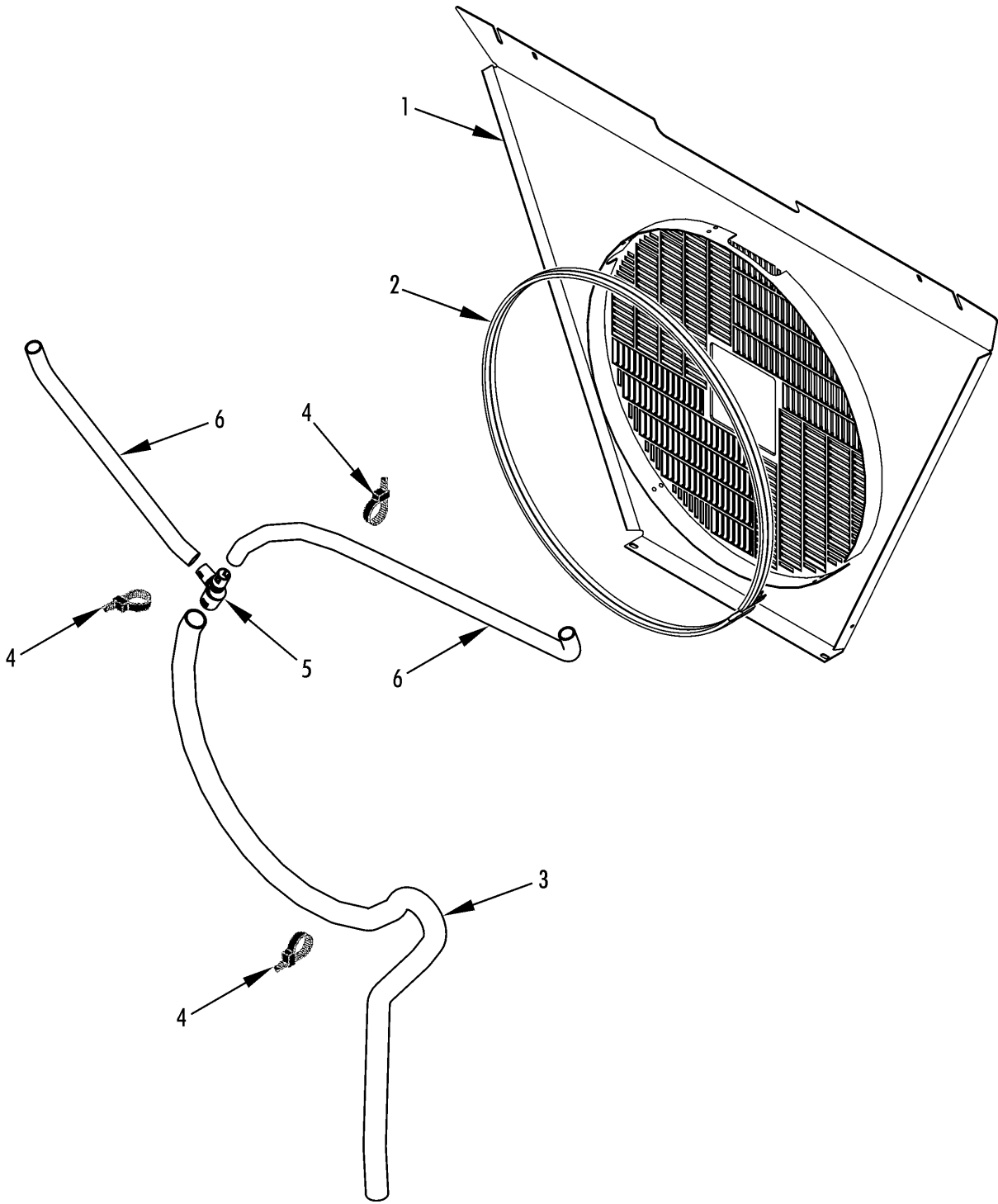


REF	PART#	DESCRIPTION	QTY
1	98-5773	PLATE - rear (bottom)	1
2	98-5772	PLATE - rear (top)	1
	51-336	SCREW - plate	23
	55-9444	WASHER - insulating	23
	55-3136	RIVET - plate	29
3	98-8244	GRILLE - evaporator	1
	55-3136	RIVET - grille	17
4	92-427	CHANNEL - Z (100 mm deep)	5
	51-621	RIVET - channel	39
5	NSS	PANEL - USDA receptacle (see 235G4)	1
6	92-7639	CHANNEL - air	1
	55-9323	RIVOT	8
7	91-9330	INLET - fresh air	1
	55-9323	RIVET - inlet	10
8	92-7640	CHANNEL - fresh air	1
	55-9323	RIVET - channel	8



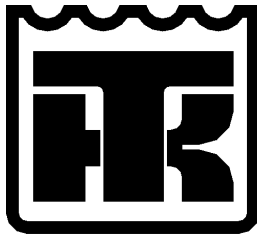


REF	PART#	DESCRIPTION	QTY
	91-8252	VENT - air (complete)	1
1	91-9048	• BRACKET - air vent handle	1
2	51-1426	• SCREW - handle	1
	51-1474	• SCREW (M8 x 1.25 x 65, ss)	1
	55-9541	• WASHER (nylon)	4
	51-1427	• NUT	1
3	91-8100	• SPRING	1
4	92-440	• NAMEPLATE - Do Not Open Below 0 C	1
5	91-8102	• HANDLE - air vent	1
6	77-2467	• BEARING - slide	1
7	91-8104	• BRACKET - handle	1
8	51-1428	• NUT	2
	51-1429	• LOCKWASHER	1
	51-1430	• FLATWASHER	1
9	51-1431	• NUT - wing	1
10	91-8103	DISK - air vent	1
11	33-4255	• GASKET - air vent	1
12	91-8105	• PLATE - air vent	1
	55-7172	• SCREW - plate	4
	55-7075	• FLATWASHER	4
	55-9541	• WASHER (nylon)	4
13	33-2944	• GASKET - air vent	1
14	91-8663	• PROTECTOR - edge	1
15	91-8106	• PIN - hinge	1
16	91-8107	• NAMEPLATE - Do Not Open Below 0 C	1
17	55-9168	• ADAPTER - hose	1
18	92-411	• HINGE - air vent	1
	51-619	SCREW - vent	8
	55-8933	WASHER - insulator (6.4 id)	4
	55-7075	FLATWASHER	4
	55-9054	WASHER - insulator (8.4 id)	6
	55-8893	FLATWASHER	6
	55-7339	NUT	6





REF	PART#	DESCRIPTION	QTY
1	98-5925	GRILLE - condenser	1
	51-1445	SCREW - grille	4
	51-1464	FLATWASHER	4
	55-9054	WASHER (nylon)	4
2	33-3043	GASKET - grille (extrusion)	1
3	11-9734	HOSE - drain (29 mm id, cut as required)	A/R
4	55-2330	BANDWRAP	A/R
5	11-9735	TEE - drain hose	1
6	11-9576	HOSE - drain (21 mm id, cut as required)	A/R



1



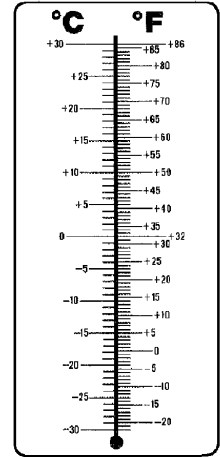
Ingersoll-Rand

2

THERMO KING

3

WARNING
Hot Components
Compressor discharge
may be hot!



7

R-404A
COMPRESSOR FILLED WITH ESTER OIL
PART No.: 203-433

4

WARNING
FANS START
AUTOMATICALLY

5

WARNING !
TURN POWER OFF
BEFORE DISCONNECTING
DATALOGGER OR
CONTROLLER.

8

DATA DOWNLOAD PORT

USDA #1/ SPARE 1

USDA #2/ SPARE 2

USDA #3/ SPARE 3

PULP/ SPARE 5

WARNING
CONSULT MAINTENANCE MANUAL FOR
PRECAUTIONS BEFORE WELDING
ON CONTAINER OR REFRIGERATION UNIT.

1. Disconnect all power to the refrigeration unit.
2. Disconnect all quick-disconnect wire harnesses.
3. Switch all of the electrical circuit breakers in the control box to the OFF position.
4. Weld unit and/or container per normal welding procedures. Keep ground return electrode as close to the area to be welded as practical. This will reduce the likelihood of stray welding currents passing through any electrical or electronic circuits.
5. When the welding operation is completed, the unit power cables, wiring and circuit breakers must be restored to their normal condition.

10

**TRANSFRESH
DATA
CONNECTOR
A 3**

11

**TRANSFRESH
SCRUBBER
CONNECTOR
A 5**

12

WARNING Make sure container is vented before entering, may contain low oxygen condition.

WARNING Vergewissern Sie sich, dass der Container vor dem Eintreten belüftet ist, um Sauerstoffmangel auszuschließen!

ADVERTENCIA Cerciórese de que el contenedor sea ventilado antes de entrar. Puede encontrarse en condiciones de poco oxígeno.

주의 들어가기 전에 컨테이너에 공기가 들어있는지 확인하십시오. 저산소 상태가 발생할 수 있습니다.

警告 入る前に容器に空気しなためどかが確認して下さい。低酸素状態になるおそれません。

14

WARNING

Do Not Operate Scroll Compressor with Service or Receiver Tank Valves Closed. Compressor Damage Will Occur.

13

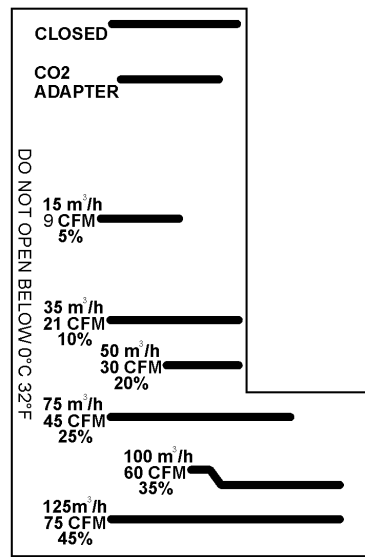
DO NOT OPEN BELOW 0°C 32°F

150 m³/h
90 CFM
55%

225 m³/h
135 CFM
80%

280 m³/h
165 CFM
100%

15



16

DOOR POSITION

CLOSED

1

2

3

4

5

6

#	CMH	CFM
1	35	21
2	75	45
3	125	75
4	150	90
5	225	135
6	280	165

17

WARNING

HOT COMPONENTS
Compressor Discharge may be hot.

Do not operate compressor with service valves closed. Compressor damage will occur.

18



REF	PART#	DESCRIPTION	QTY
1	91-8475	NAMEPLATE - TK (crest)	1
2	92-4305	NAMEPLATE - IR logo (red/black)	1
3	91-9778	NAMEPLATE - Thermo King	1
4	91-8154	NAMEPLATE - R404A	1
5	91-8694	NAMEPLATE - Warning, Fan Start	1
6	91-8695	NAMEPLATE - Warning, Hot Components	1
7	91-5635	NAMEPLATE - Temperature Conversion	1
8	91-9382	NAMEPLATE - Warning	1
9	92-243	NAMEPLATE - USDA Connections	1
	92-5392	NAMEPLATE - USDA Connections	1
10	92-1218	NAMEPLATE - Weld	1
11	91-8697	NAMEPLATE - Data A3	1
12	91-8696	NAMEPLATE - Scrubber A5	1
13	91-9596	NAMEPLATE - Warning, Scroll Compressor	1
14	92-2585	NAMEPLATE - Warning, Low Oxygen	1
15	92-440	NAMEPLATE - Air Vent Handle	1
16	91-9831	NAMEPLATE - Air Vent Door	1
17	92-2586	NAMEPLATE - AFAM Door Position	1
18	92-4724	NAMEPLATE - Warning English	1

INDEX NUMERICAL BY PART NUMBER

04-7225	22	41-7143	8	51-1438	18
102-795	12, 18, 20	41-7183	28	51-1441	8, 12, 20
104-691	8, 20	41-7937	14, 20	51-1442	6, 8, 12, 14, 30
104-759	6, 20	41-8065	26	51-1443	6, 30
11-4367	8	41-8188	28	51-1444	6, 8, 30
11-9576	38	41-8715	24	51-1445	20, 22, 30, 38
11-9734	38	41-8716	24	51-1446	20
11-9735	38	41-8717	24	51-1447	8, 32
203-393	18	41-8718	24	51-1459	30
203-516	18	41-8719	22	51-1460	30
204-1109	26	41-8723	24	51-1461	8
204-918	26	41-8724	24	51-1464	12, 30, 38
204-974	26	41-8763	22	51-1467	30
204-975	26	41-890	28	51-1474	36
304-2772	28	41-9220	8, 20	51-1843	24
33-2805	18	41-9237	24	51-1844	24
33-2944	36	41-9286	22	51-1869	8
33-2946	8	41-9490	10	51-1870	10
33-2950	6	41-9768	8	51-1871	12
33-2951	18	41-9974	24	51-1872	22
33-2979	18	41-9975	24	51-1873	22
33-2983	30	41-9976	24	51-1874	24
33-3007	12	41-9977	24	51-1875	24
33-3043	30, 38	41-9978	24	51-1876	24
33-367	6, 8	42-352	22	51-2033	18
33-3912	12	42-353	24	51-270	8, 20
33-3917	8	42-373	20	51-273	12
33-3929	8	42-374	20	51-336	22, 34
33-3969	30	42-375	20	51-358	18
33-4255	36	44-9417	26	51-619	8, 36
33-4499	14	44-9418	26	51-621	34
33-4500	14	44-9891	20	55-2270	28
33-4501	14	45-1908	20	55-2296	14
33-4502	24	45-1927	32	55-2330	38
33-4829	30	45-1992	20	55-302	12
33-566	14	45-2272	20	55-3136	34
33-727	18	45-2295	24	55-3251	12
40-1044	8, 20	45-2338	24	55-5112	22
40-1163	20	45-2441	32	55-5257	22
40-692	20	45-2451	32	55-5900	6, 8, 22
40-776	18, 20	504-843	22	55-6388	14
40-779	18	504-919	14	55-6730	12
40-782	18	506-364	12	55-7029	14
40-786	20	51-1419	22	55-7075	36
41-1976	20	51-1421	12	55-7172	36
41-2405	28	51-1422	8	55-7339	36
41-2406	24, 26, 28	51-1425	12, 14, 30	55-7341	30
41-2953	6, 20	51-1426	36	55-7697	28
41-3585	28	51-1427	6, 8, 36	55-7830	28
41-3588	26	51-1428	36	55-8893	36
41-3596	22	51-1429	6, 8, 18, 36	55-8915	12, 14
41-3605	22	51-1430	30, 36	55-8933	36
41-3685	8, 20	51-1431	36	55-8950	14
41-4004	14, 18, 20	51-1432	18	55-8951	14
41-4300	20	51-1433	18	55-8993	14
41-4473	14	51-1434	18	55-8994	18
41-5104	22	51-1435	18	55-8995	18
41-5460	14, 20	51-1436	18	55-9012	18
41-6150	20	51-1437	18	55-9027	12, 16

INDEX NUMERICAL BY PART NUMBER

55-9054	6, 12, 20, 30, 36, 38	91-8104	36	92-891	30
55-9162	8	91-8105	36	92-9488	32
55-9168	36	91-8106	36	92-9489	32
55-9217	8	91-8107	36	92-9521	22, 32
55-9323	28, 34	91-8108	30	98-5772	34
55-9444	22, 34	91-8140	32	98-5773	34
55-9485	22	91-8142	32	98-5925	30, 38
55-9541	30, 36	91-8154	40	98-6560	30
55-9698	8	91-8252	36	98-7691	30
60-285	6, 12	91-8466	8	98-8242	8
61-1847	14	91-8467	32	98-8243	30
61-2048	14	91-8474	30	98-8244	34
61-2049	14	91-8475	30, 40	99-3685	26, 28
61-2050	14	91-8629	32		
61-2051	14	91-8634	32		
61-2057	14, 20	91-8645	28		
61-2118	18	91-8663	36		
61-2119	18	91-8694	40		
61-2162	12	91-8695	40		
61-2238	12	91-8696	40		
61-2465	14	91-8697	40		
61-2466	14	91-8728	30		
61-2467	12	91-9021	18		
61-2468	14	91-9048	36		
61-2469	14	91-9328	8		
61-2470	12, 20	91-9330	34		
61-2471	12	91-9382	40		
61-2472	12	91-9596	40		
61-2474	14	91-9754	20, 30		
61-2476	14	91-9778	40		
61-2477	12	91-9831	40		
61-2569	12	92-1218	40		
61-3502	14	92-206	28		
61-3503	12	92-2229	12		
61-3506	12	92-2332	8		
61-3508	12	92-243	40		
61-443	14	92-2585	40		
61-786	12	92-2586	40		
66-6607	14	92-2775	8		
66-7183	14	92-2779	8		
66-7812	12	92-3391	14		
66-8054	14	92-3547	12		
66-8811	12	92-3550	14		
66-9906	14	92-411	36		
67-1589	6	92-427	34		
67-1889	12	92-4305	40		
67-1923	14	92-440	36, 40		
67-1991	12	92-458	8		
77-2467	36	92-4724	40		
78-1683	8	92-5392	28, 40		
78-1684	6	92-5546	20		
78-1737	8	92-7559	24		
91-1800	14	92-7635	22		
91-5635	40	92-7636	24		
91-758	12	92-7637	24		
91-759	14	92-7638	24		
91-8100	36	92-7639	34		
91-8102	36	92-7640	34		
91-8103	36	92-8690	24		

INDEX ALPHABETICAL BY DESCRIPTION

A

ADAPTER **14**
ADAPTER - 9-pin D PC connector to
USB **26**
ADAPTER - 9-pin D PC to PC card **26**
ADAPTER - compressor **12**
ADAPTER - hose **36**

B

BANDWRAP **38**
BASE - control box **22**
BEARING - slide **36**
BLOCK - coil **8**
BLOCK - terminal **22**
BOX - control **20**
BRACKET - air vent handle **36**
BRACKET - cable **24**
BRACKET - cable restraint **20**
BRACKET - connector **24**
BRACKET - frame **30**
BRACKET - GPS **22**
BRACKET - handle **36**
BRACKET - heat exchanger **14**
BRACKET - heater **32**
BRACKET - lock reinforcement **24**
BRACKET - motor **8**
BRACKET - safety hook **30**
BRACKET - washer deutsch plug **24**
BREAKER - circuit **22**

C

CABLE **20**
CABLE - compressor **20**
CABLE - connection **20**
CABLE - data **26**
CABLE - data download **26**
CABLE - NTC **28**
CABLE - power **20**
CABLE - retriever **24**
CABLE - serial **24**
CABLE - supply **20**
CABLE -NTC **28**
CAP - charge port **14**
CAP - dust **24, 26, 28**
CAP - fitting **12**
CAP - screw **8**
CAP - tube **10**
CHAIN - cap **26, 28**
CHANNEL - air **34**
CHANNEL - fresh air **34**
CHANNEL - Z **34**
CLAMP - dehydrator **12**
CLAMP - tube **12, 14**
COIL **14, 20**
COIL - condenser **6, 12**
COIL - evaporator **8, 14**
COIL - valve **14, 20**
COMPRESSOR - scroll **12, 18, 20**
CONNECTOR - 17-pin **24**

CONNECTOR - 4-pin **24**
CONNECTOR - 6-pin **24**
CONNECTOR - 8-pin **24**
CONNECTOR - 9-pin **24**
CONNECTOR - harness & sensor **8**
CONNECTOR - liquid tite **8, 20, 22**
CONNECTOR - plug **28**
CONNECTOR - receptacle **28**
CONTACTOR **22**
CONTROLLER **24**
COVER **30**
COVER - terminal box **18**
COVER - tube **8**

D

DEHYDRATOR **12**
DISK - air vent **36**
DOOR - controller **22**
DOOR - evaporator **30**
DOOR - front **24**

F

FAN - condenser **6**
FAN - evaporator **8**
FILTER - gas sensor **8**
FITTING - low side **14**
FLATWASHER **6, 8, 12, 18, 20, 22,**
28, 30, 36, 38
FLATWASHER - clamp **12**
FLATWASHER - dehydrator **12**
FRAME - condenser **30**
FUSE & COVER **22**

G

GASKET **6**
GASKET - air vent **36**
GASKET - door **24, 30**
GASKET - evaporator door **30**
GASKET - flange **18**
GASKET - grille **38**
GASKET - power connector **18**
GASKET - rubber extrusion **30**
GASKET - unit **30**
GPS MODEM & ANTENNA **22**
GRILLE - condenser **30, 38**
GRILLE - evaporator **34**
GRIP - cable **6**
GROMMET **6, 8**

H

HANDLE - air vent **36**
HARNESS - condenser fan **6, 20**
HARNESS - evaporator **20**
HARNESS - evaporator fan **8**
HARNESS - expansion module **24**
HEAT EXCHANGER - economizer **12**
HEATER **32**
HEATER GROUP **20**
HINGE - air vent **36**

HINGE - top **24**
HOSE - drain **38**
HOSE - sensor **8**
HOUSING - evaporator **8**
HUMIDITY SENSOR -humidity **20**

I

INDICATOR - liquid **12**
INLET - fresh air **34**
INSERT **8**
INSULATION - heat exchanger **12**
INSULATION - mylar **14**
INSULATION - tube **14**

K

KIT - Cable Splice **20**
KIT - gasket & grease **18**
KIT - power cord **18**
KIT - thermistor **18, 20**
KIT, CO2 / O2 RS485 sensor **20**

L

LOCKWASHER **6, 8, 18, 20, 22, 36**

M

MODULE - AFAM+ **24**
MODULE - battery **24**
MODULE - blanking **24**
MODULE - expansion **24**
MODULE - power **22**
MOTOR - condenser fan **6, 20**
MOTOR - evaporator fan **20**
MOTOR - fan **8**

N

NAMEPLATE - AFAM Door Position **40**
NAMEPLATE - Air Vent Door **40**
NAMEPLATE - Air Vent Handle **40**
NAMEPLATE - Data A3 **40**
NAMEPLATE - data download USDA
28
NAMEPLATE - Do Not Open Below 0 C
36
NAMEPLATE - IR logo **40**
NAMEPLATE - R404A **40**
NAMEPLATE - Scrubber A5 **40**
NAMEPLATE - Temperature
Conversion **40**
NAMEPLATE - Thermo King **40**
NAMEPLATE - TK **30, 40**
NAMEPLATE - USDA Connections **40**
NAMEPLATE - Warning **40**
NAMEPLATE - Warning English **40**
NAMEPLATE - Warning, Fan Start **40**
NAMEPLATE - Warning, Hot
Components **40**
NAMEPLATE - Warning, Low Oxygen
40
NAMEPLATE - Warning, Scroll

INDEX ALPHABETICAL BY DESCRIPTION

Compressor **40**
NAMEPLATE - Weld **40**
NUT **6, 8, 12, 14, 18, 22, 30, 36**
NUT - adapter **12**
NUT - clamp **12**
NUT - o-ring seal **14**
NUT - receiver tank **12**
NUT - wing **36**

O

OIL - compressor **18**
O-RING **12, 14**
O-RING - suction **18**

P

PANEL - USDA receptacle **20, 28, 34**
PIN - hinge **24, 36**
PLATE - air vent **36**
PLATE - cable storage **30**
PLATE - guard **30**
PLATE - rear **34**
PLUG - fusible **12**
PLUG - power **20**
POCKET - sensor **30**
PROTECTOR - edge **36**

R

RAIL - din **22**
RECEPTACLE **28**
RIVET **24**
RIVET - cap **28**
RIVET - channel **34**
RIVET - grille **34**
RIVET - housing **8**
RIVET - inlet **34**
RIVET - plate **34**
RIVET - receptacle **28**
RIVOT **34**

S

SCREW **8, 22, 24, 36**
SCREW - bracket **8, 20, 22, 30, 32**
SCREW - clamp **12, 14**
SCREW - coil **6, 8**
SCREW - compressor **18**
SCREW - cover **30**
SCREW - dehydrator **12**
SCREW - discharge valve **18**
SCREW - door **30**
SCREW - flange **18**
SCREW - grille **30, 38**
SCREW - ground **18**
SCREW - handle **36**
SCREW - motor **6, 8**
SCREW - plate **30, 34, 36**
SCREW - vent **36**
SEAL - teflon fiber **12**
SEALER - silicone grease pack **18**
SEALER - thread **18**

SENSOR - compressor **20**
SENSOR - gas **8, 10**
SENSOR - humidity **8, 20**
SENSOR - kit **8, 20**
SENSOR - pocket **20**
SENSOR - temperature **20**
SENSOR - thermistor **28**
SHOULDER **14**
SHROUD - fan **8**
SPACER **12, 14, 18**
SPACER - compressor **12**
SPRING **36**
SPRING - heater **32**
STRAP - cap **24**
SWITCH - hpco **14, 18, 20**
SWITCH - lpco **14**

T

TANK - receiver **12**
TEE **12, 14**
TEE - drain hose **38**
TERMINAL - pin **20**
TRANSDUCER - suction **20**
TRANSFORMER **22**
TRIM - edge guard **8**
TUBE - equalizer **14**
TUBE - exchanger to coil **14**
TUBE - expansion valve to exchanger
14
TUBE - expansion valve to tee **14**
TUBE - filter **12**
TUBE - filter to tee **12**
TUBE - heat exchanger to evaporator
14
TUBE - liquid injection **14**
TUBE - receiver to condenser **12**
TUBE - receiver to dehydrator **12**
TUBE - suction **14**
TUBE - suction to ball valve **14**
TUBE - tee to distributor **14**
TUBE - tee to exchanger **12**
TUBE - tee to valve **12**
TUBE - tx bulb **14**
TUBE - valve to coil **12**
TUBE - valve to expansion **14**

V

VALVE **14**
VALVE - ball **14**
VALVE - digital **20**
VALVE - discharge **18**
VALVE - expansion **14**
VALVE - solenoid **12**
VALVE - suction **18**
VALVE - vapor injection **20**
VENT - air **36**

W

WASHER **6, 16, 30, 36, 38**

WASHER - ground **18**
WASHER - insulating **12, 22, 34**
WASHER - insulation **30**
WASHER - insulator **8, 20, 36**
WASHER - sealing **18**
WASHER - vibration damper **18**



Ingersoll Rand's Climate Solutions sector delivers energy-efficient HVACR solutions for customers globally. Its world class brands include Hussmann, a manufacturer of refrigeration and food merchandising solutions, Thermo King, the leader in transport temperature control and Trane, a provider of energy efficient heating, ventilating and air conditioning systems, building and contracting services, parts support and advanced controls for commercial buildings and homes.

Distributed by:

Thermo King Corporate

314 West 90th Street
Minneapolis, MN 55420
Direct (952) 887-2200